



US00D609081S

(12) **United States Design Patent**
Gulley

(10) **Patent No.:** **US D609,081 S**

(45) **Date of Patent:** **** Feb. 2, 2010**

(54) **EXTENSION BRACKET**

(76) Inventor: **Thomas D. Gulley**, 534 W. Lime Ave.,
Monrovia, CA (US) 91016

(**) Term: **14 Years**

(21) Appl. No.: **29/307,134**

(22) Filed: **Apr. 2, 2008**

(51) **LOC (9) Cl.** **08-05**

(52) **U.S. Cl.** **D8/380**

(58) **Field of Classification Search** D8/403,
D8/381, 380, 373, 363, 354, 349; D6/574,
D6/573, 572; 52/712-715, 665, 506.06;
292/346; 248/265, 247, 243, 235, 200; 108/85
See application file for complete search history.

(56) **References Cited**

U.S. PATENT DOCUMENTS

- D47,283 S * 5/1915 Eagan D8/380
- D287,817 S * 1/1987 Henin D8/380
- D295,950 S * 5/1988 Johnston D8/381
- D451,004 S * 11/2001 Lewis D8/380

D548,064 S * 8/2007 Norton D8/380

* cited by examiner

Primary Examiner—Susan Bennett Hattan

(74) *Attorney, Agent, or Firm*—Maria Erlinda Co Sarno

(57) **CLAIM**

The ornamental design for an extension bracket, as shown and described.

DESCRIPTION

FIG. 1 is a perspective right view of the extension bracket showing my new design;

FIG. 2 is a perspective left view of the extension bracket thereof;

FIG. 3 is a right side view of the of the extension bracket thereof;

FIG. 4 is a left side view of the of the extension bracket thereof;

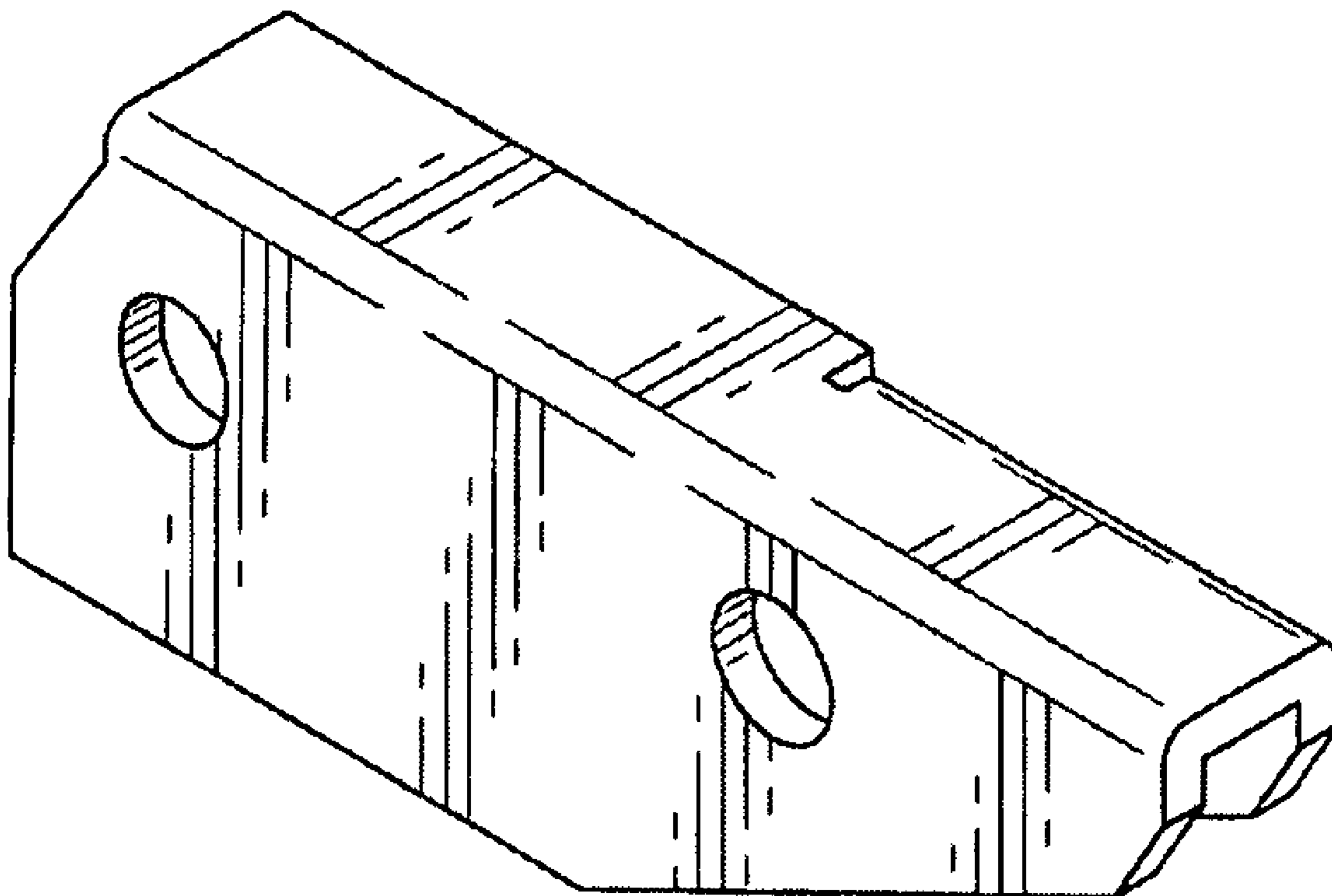
FIG. 5 is a front view of the extension bracket thereof;

FIG. 6 is a back view of the of the extension bracket thereof;

FIG. 7 is a bottom view of the extension bracket thereof; and,

FIG. 8 is a top view of the extension bracket thereof.

1 Claim, 4 Drawing Sheets



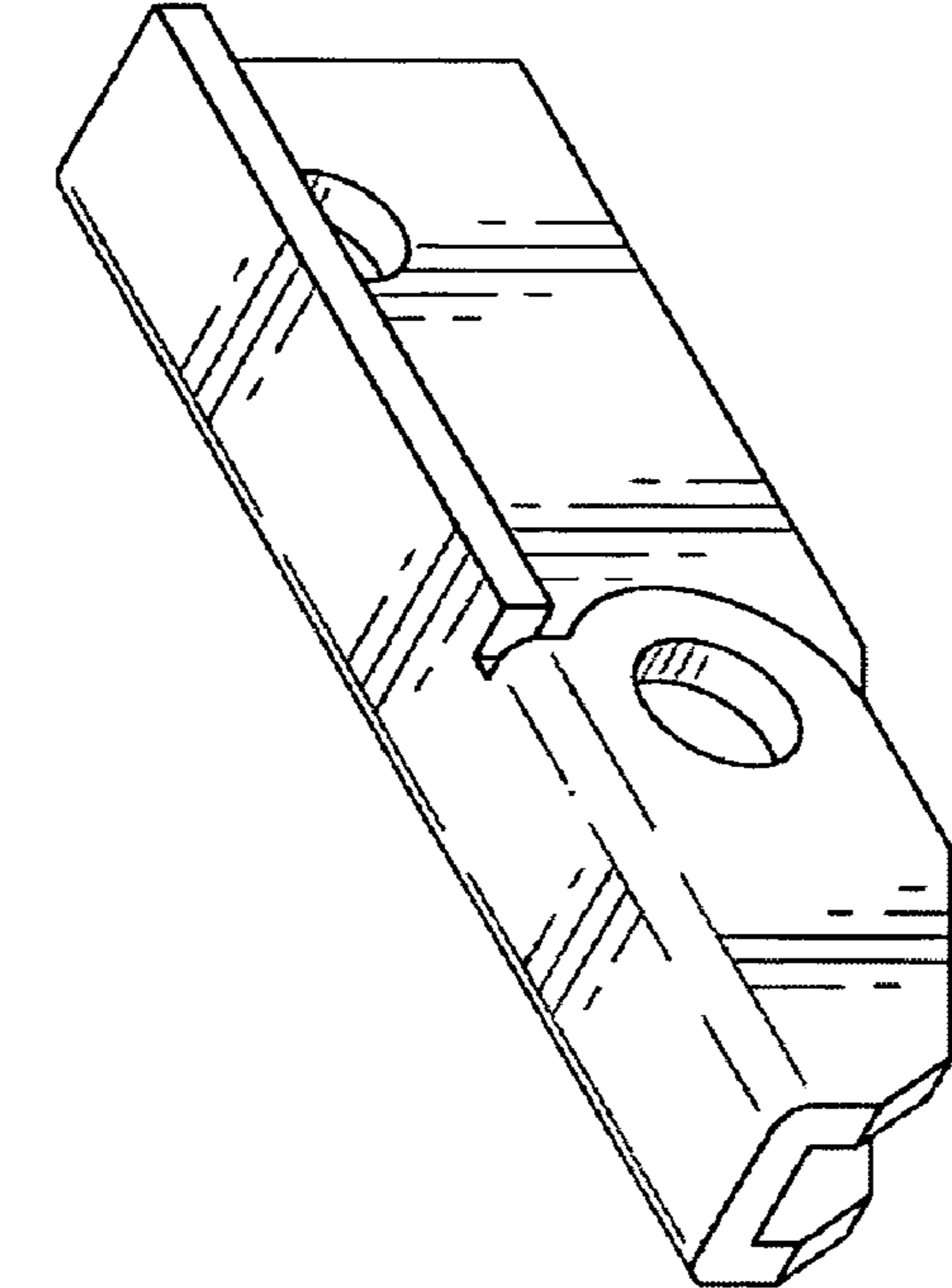


FIG. 1

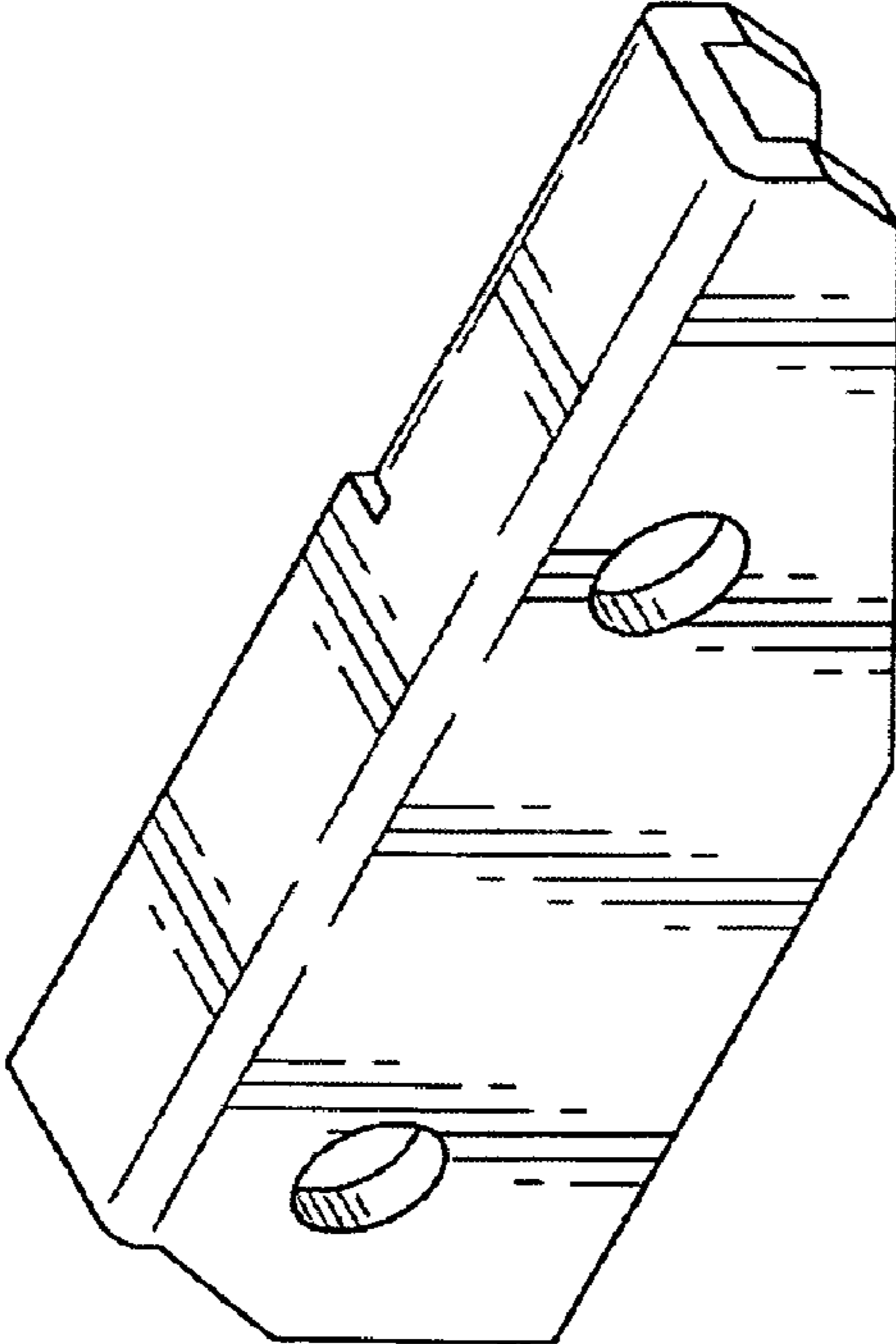


FIG. 2

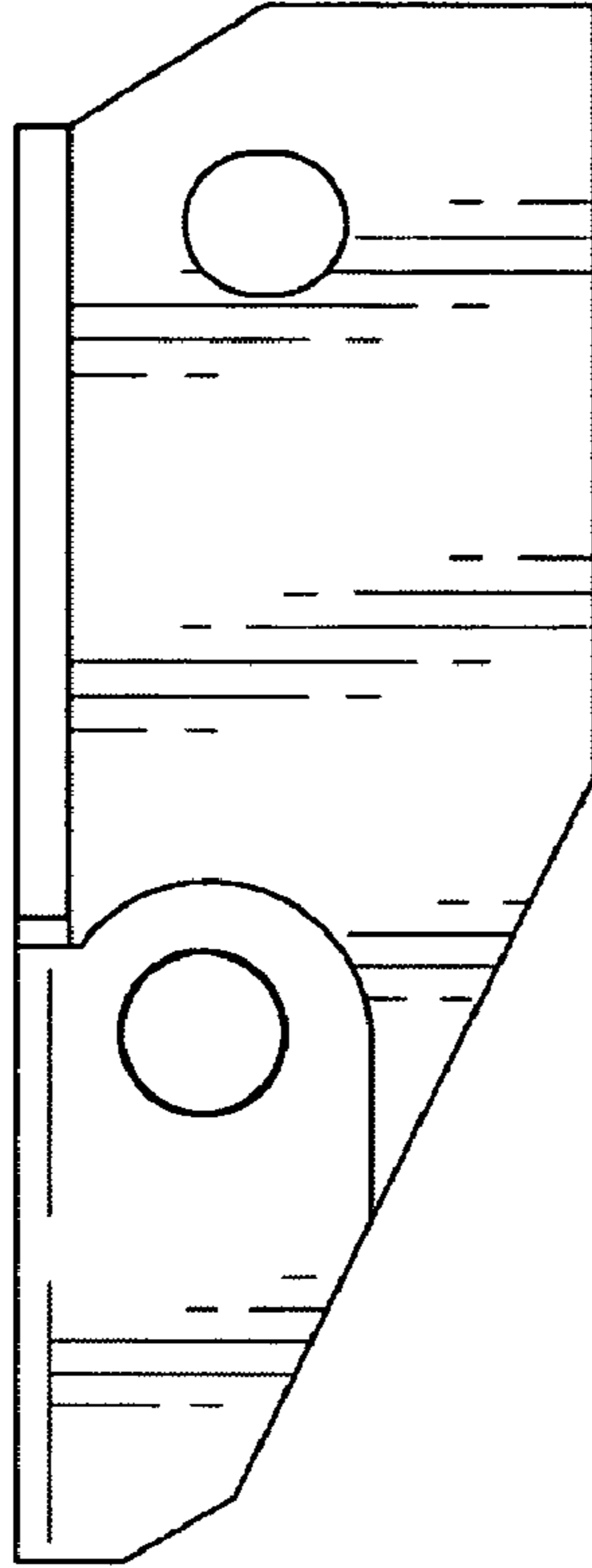


FIG. 3

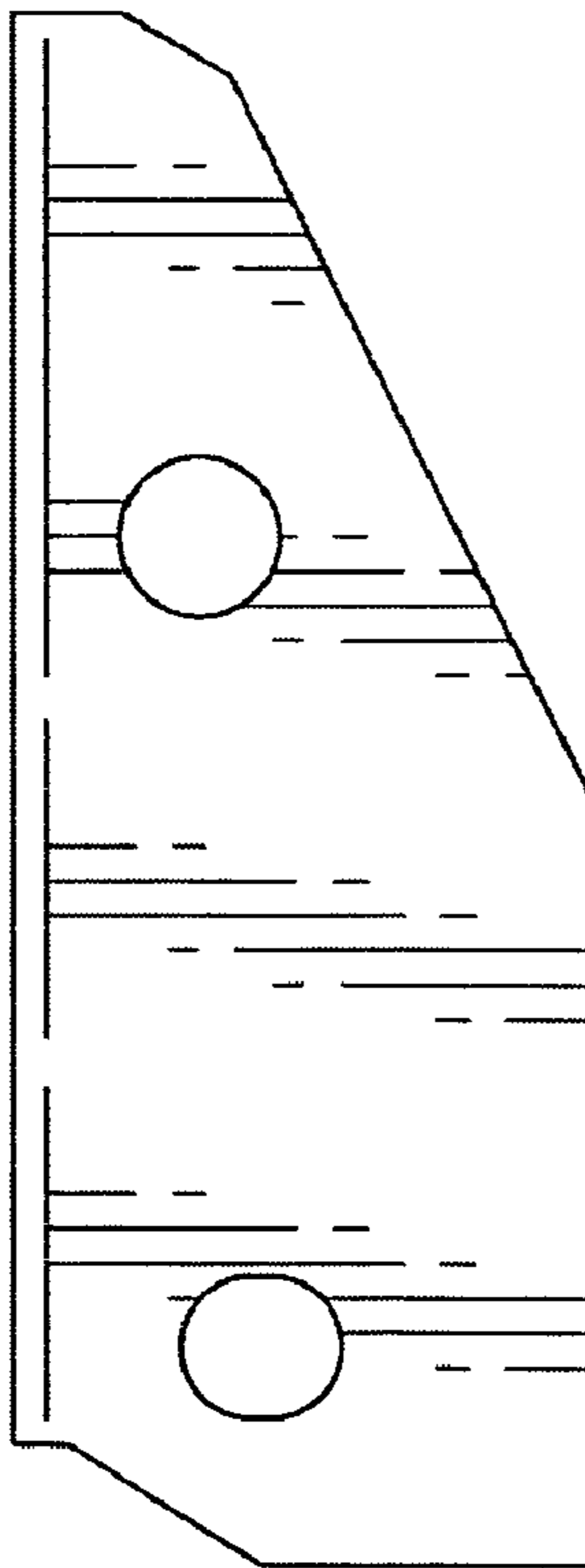


FIG. 4

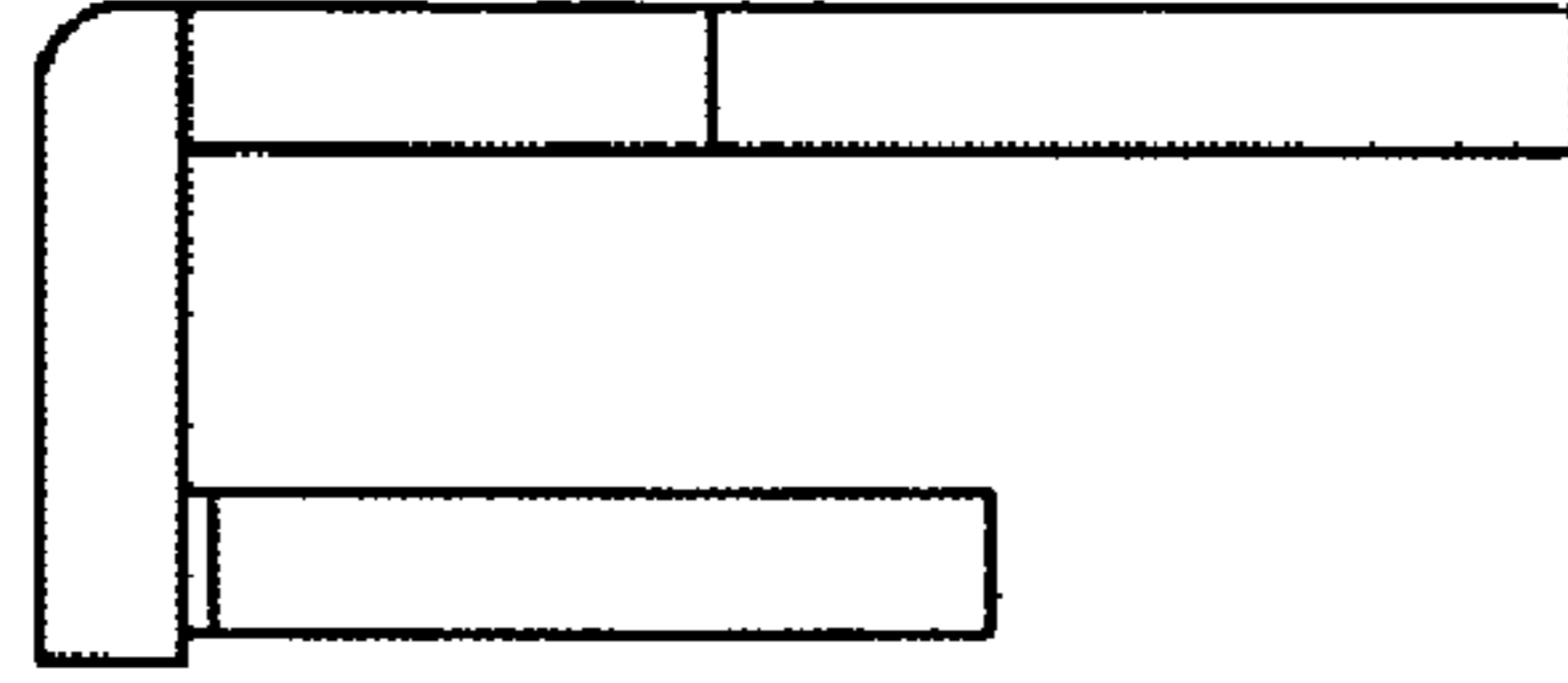


FIG. 5

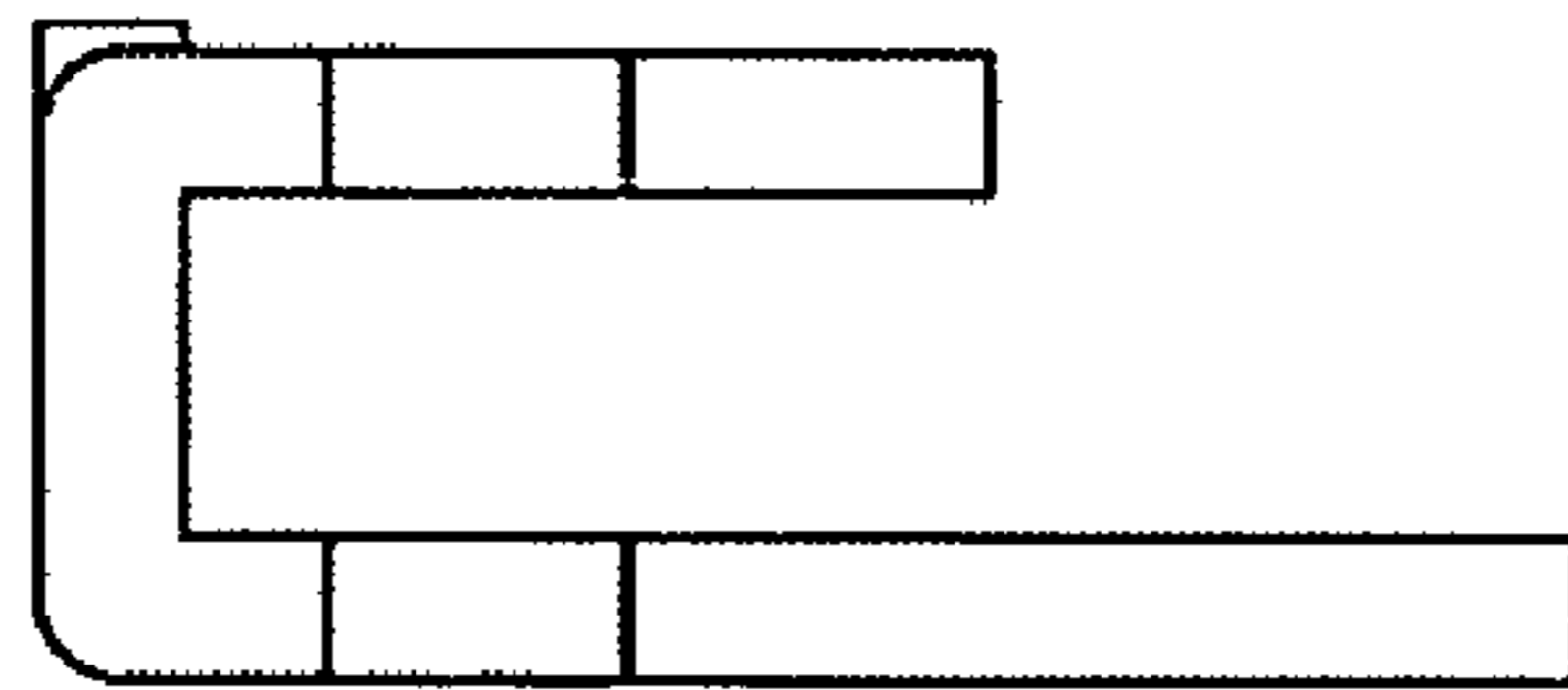


FIG. 6

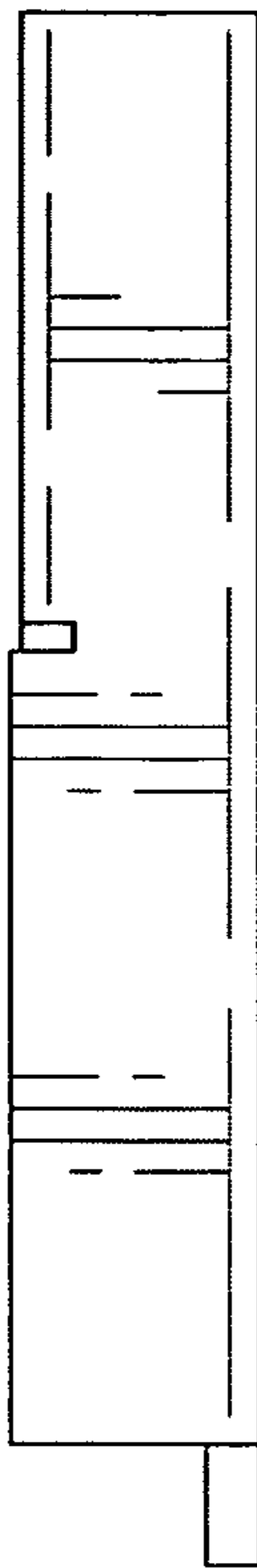


FIG. 7

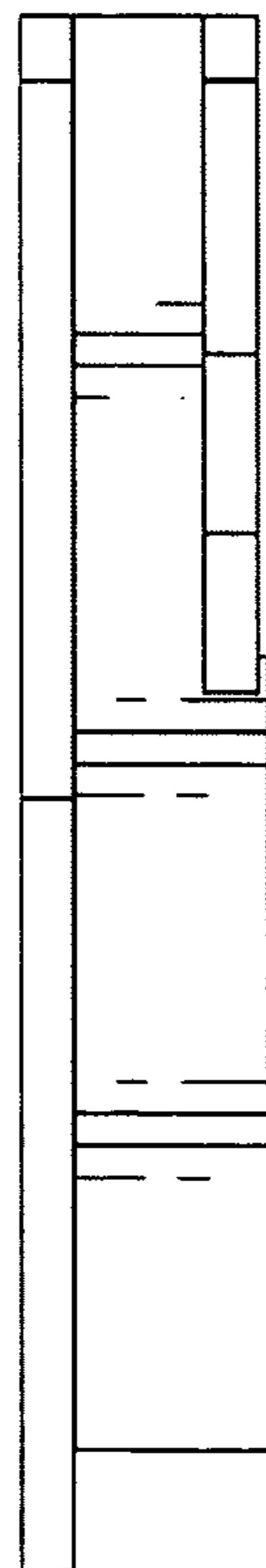


FIG. 8