



US00D609080S

(12) **United States Design Patent**
Schorn

(10) **Patent No.:** **US D609,080 S**

(45) **Date of Patent:** **** Feb. 2, 2010**

(54) **HAT AND BAT HANGER**

(57) **CLAIM**

(76) **Inventor:** **Mike Schorn**, P.O. Box 273, Banks, OR
(US) 97106

The ornamental design for a hat and bat hanger, as shown and described.

(**) **Term:** **14 Years**

DESCRIPTION

(21) **Appl. No.:** **29/316,095**

(22) **Filed:** **Aug. 24, 2009**

(51) **LOC (9) Cl.** **08-05**

(52) **U.S. Cl.** **D8/373**

(58) **Field of Classification Search** D8/367,
D8/373; D6/552-553; 248/302-303, 339
See application file for complete search history.

FIG. 1 is a perspective side view of the hanger having rounded corners on the lower protrusions and a direct cut out from the vertical to form the upper protrusion.

FIG. 2 is a front view of the hanger showing it's front profile;

FIG. 3 is a top view of the hanger;

FIG. 4 is a back view of the hanger;

FIG. 5 is a bottom view of the hanger;

FIG. 6 is right side view of the hanger showing the fractional proportions of the lower protrusions and the upper protrusion and the relative angle of each; and,

FIG. 7 is a left side view of the hanger showing the fractional proportions of the lower protrusions and the upper protrusion and the relative angle of each.

The novel feature is the fractional proportions of the lower protrusions and the upper protrusion and the relative angle of each illustrated in FIG. 1-7.

(56) **References Cited**

U.S. PATENT DOCUMENTS

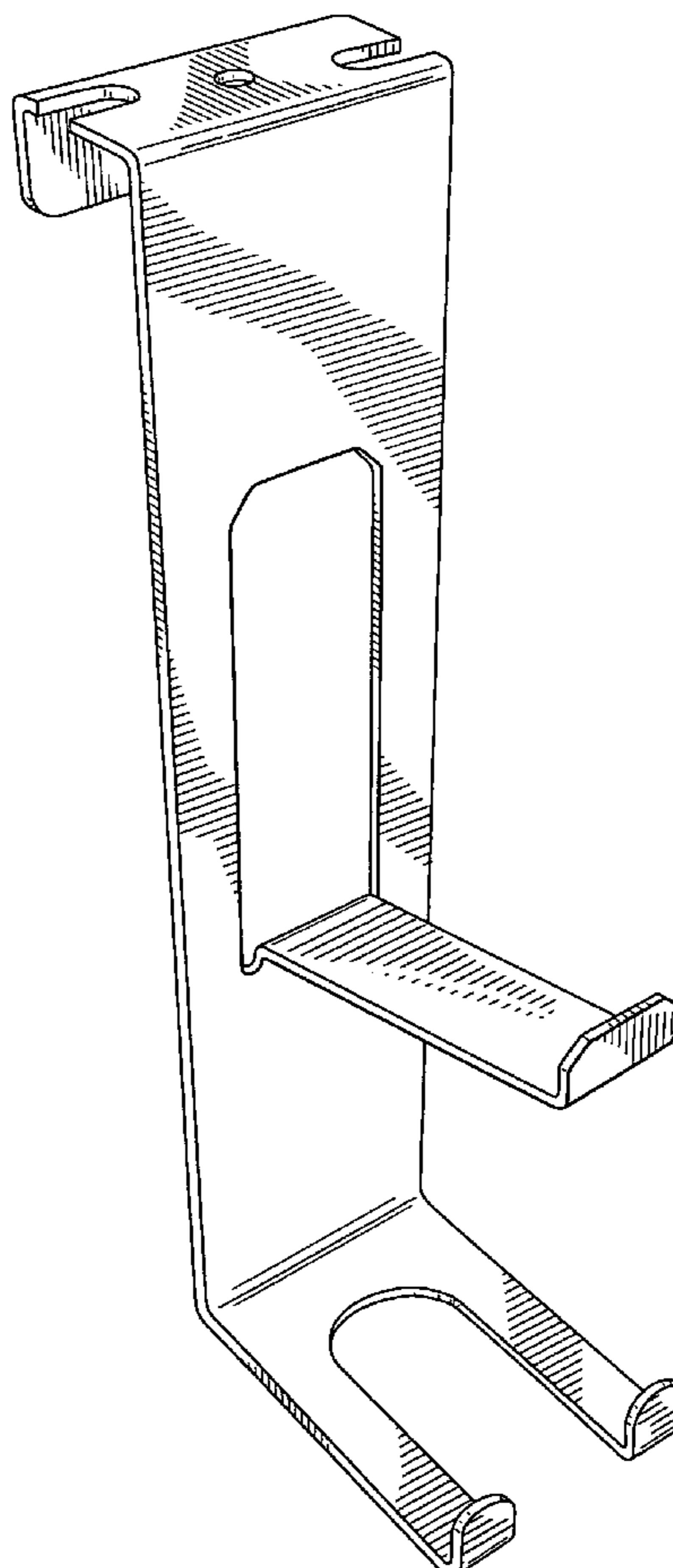
D206,232 S *	11/1966	Magnuson	D6/323
D336,842 S *	6/1993	Hampshire	D8/372
D377,309 S *	1/1997	Hofman	D8/372
6,948,627 B1	9/2005	Evans		
2006/0226321 A1	8/2006	Tracy		

* cited by examiner

Primary Examiner—Holly H Baynham

(74) *Attorney, Agent, or Firm*—Robert Ireland

1 Claim, 7 Drawing Sheets



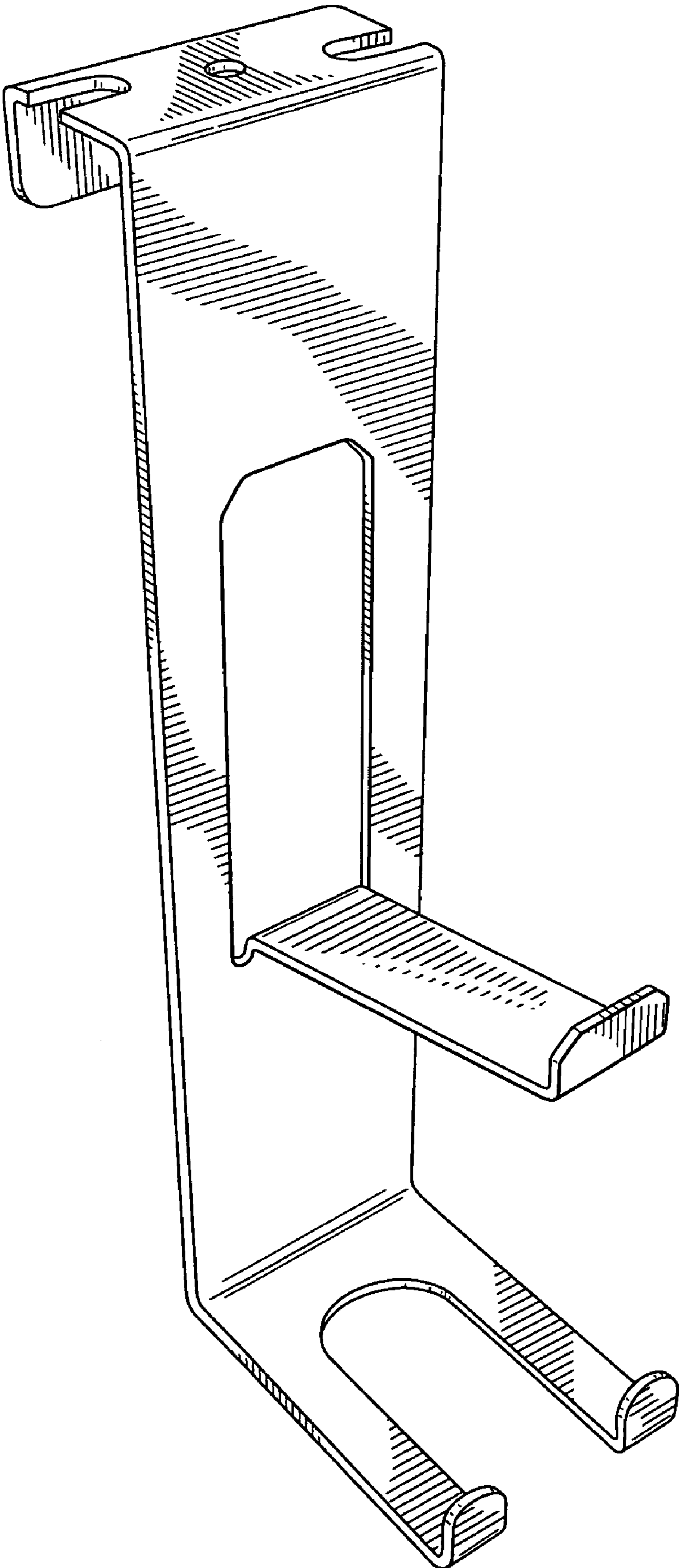


FIG. 1

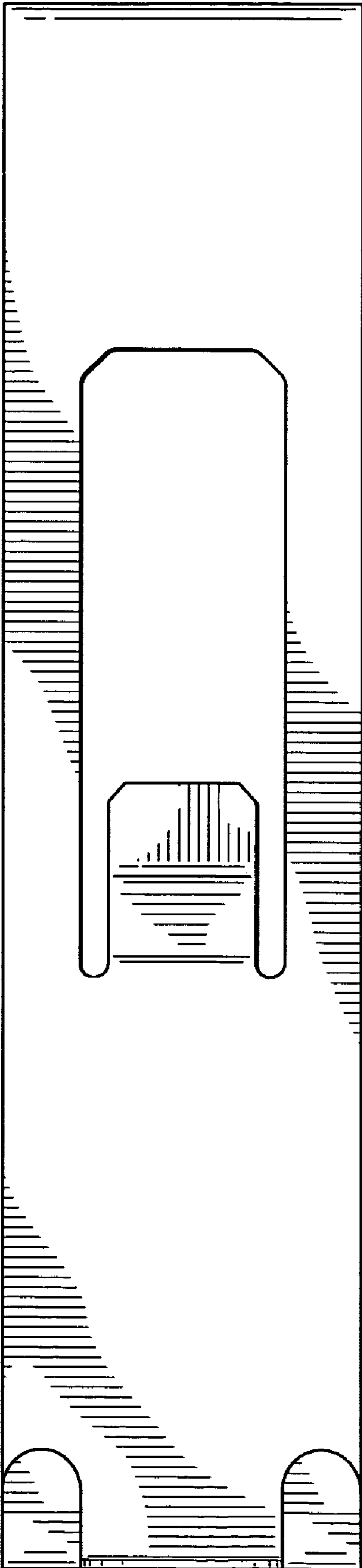


FIG. 2

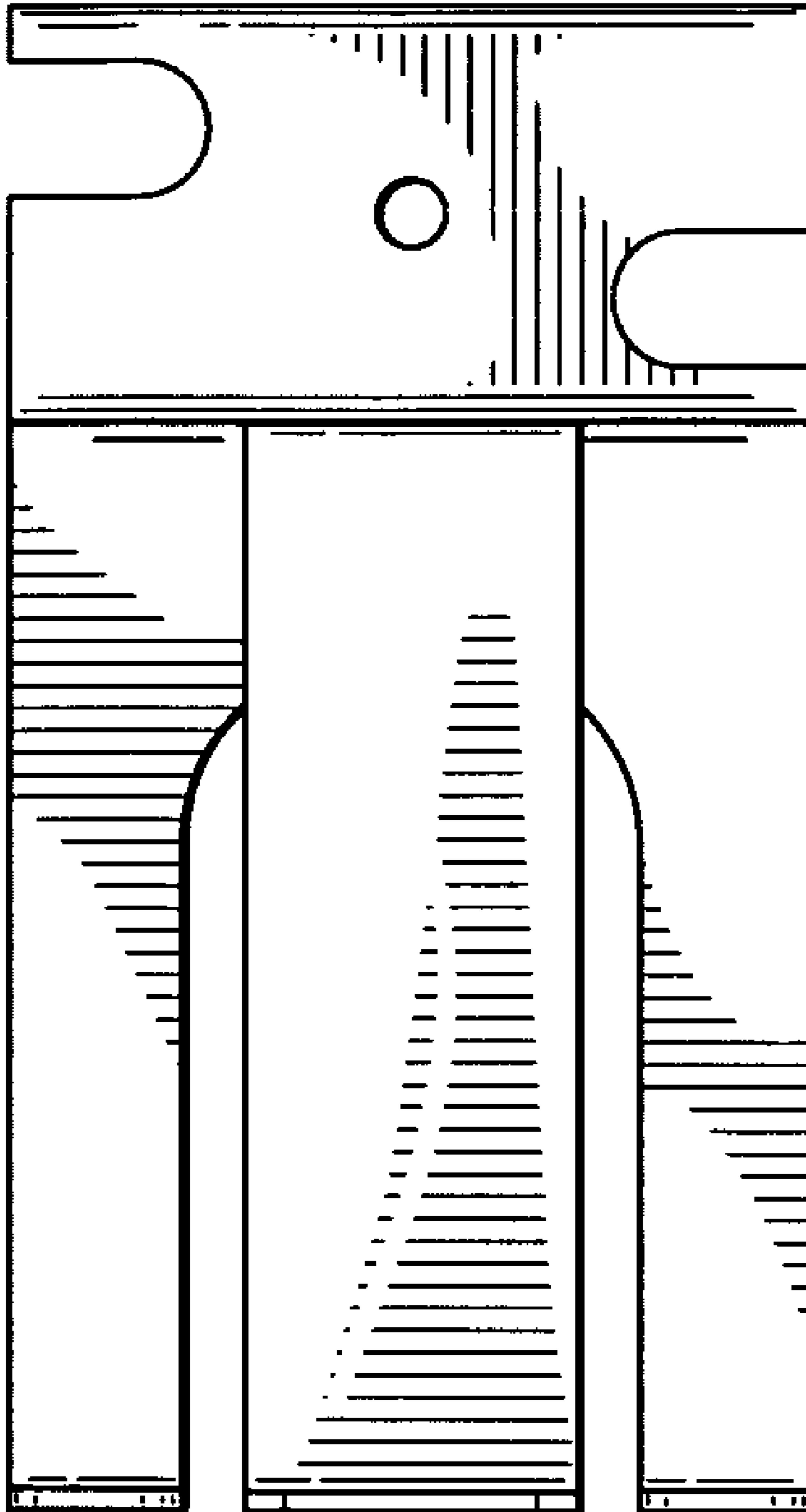


FIG. 3

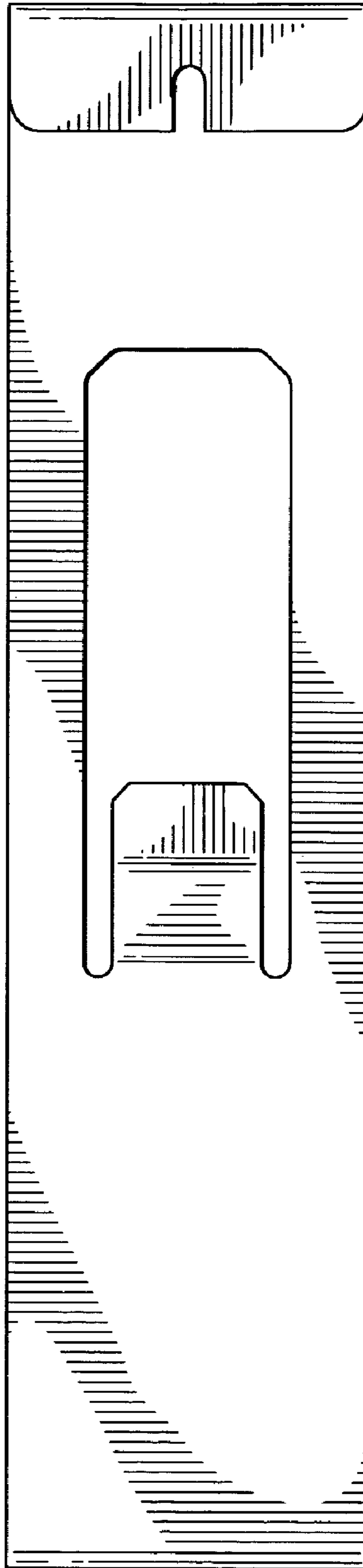


FIG. 4

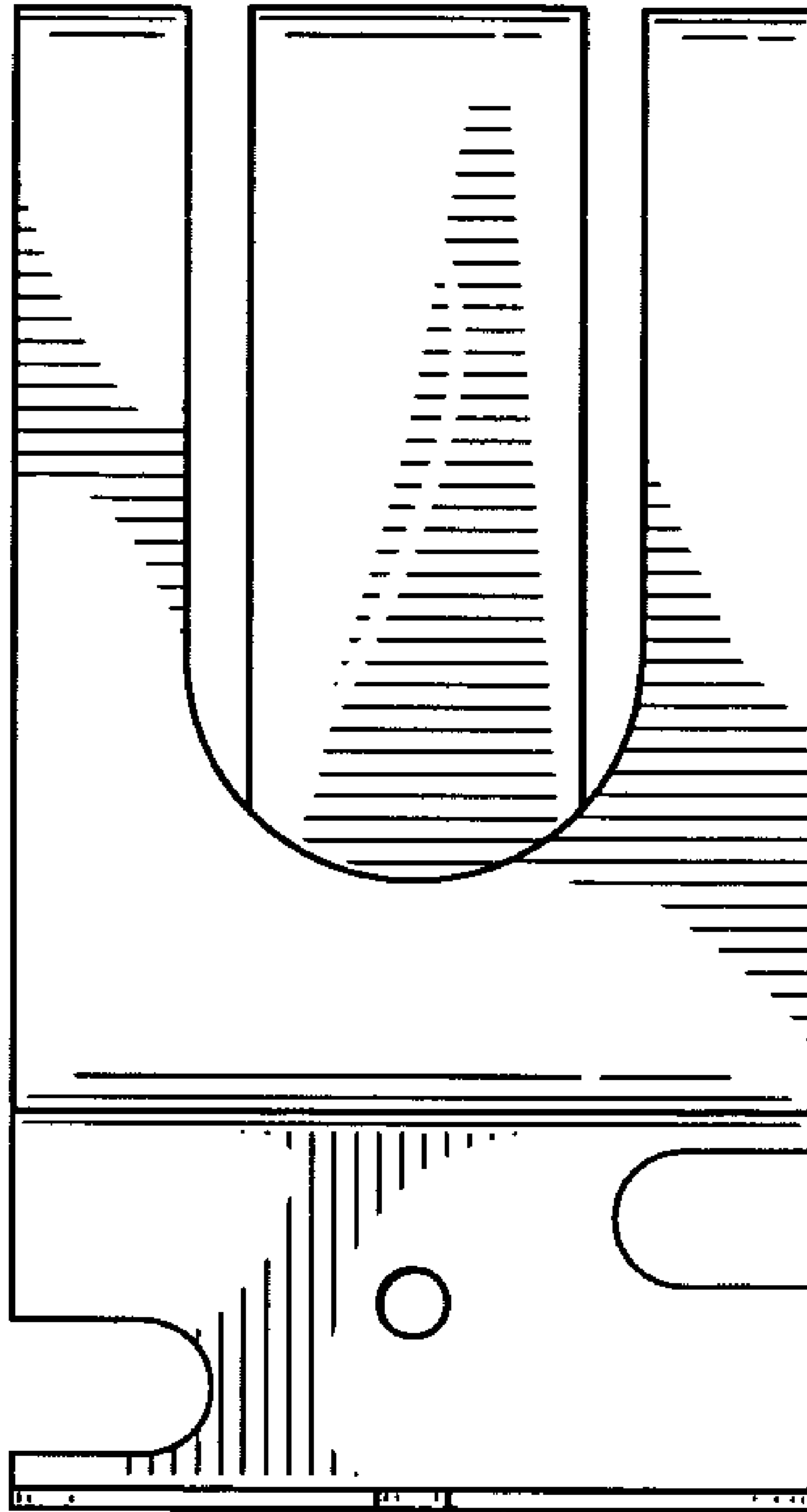
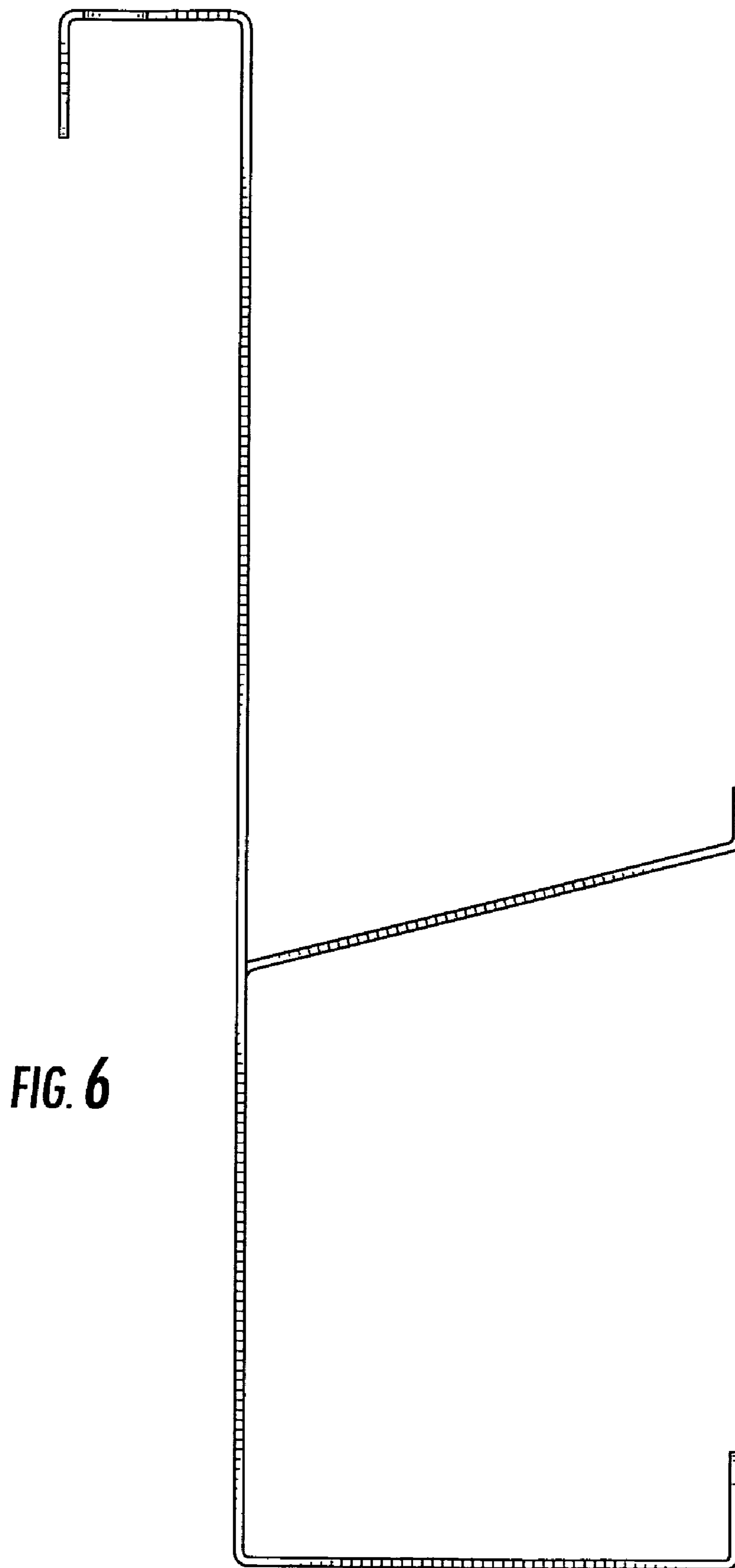


FIG. 5



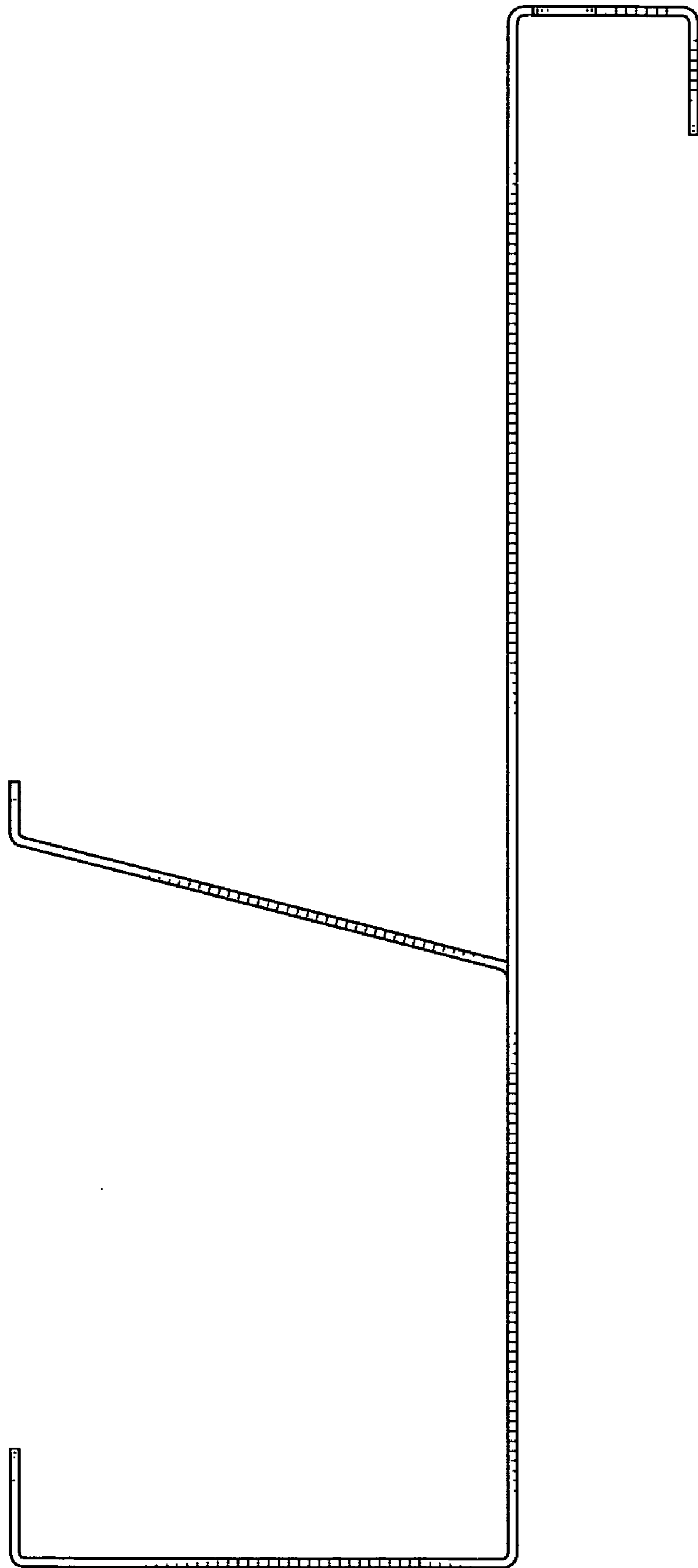


FIG. 7