



US00D609077S

(12) **United States Design Patent**  
**Bucci**

(10) **Patent No.:** **US D609,077 S**

(45) **Date of Patent:** **\*\* Feb. 2, 2010**

(54) **DEVICE FOR SUPPORTING AN OBJECT**

(57) **CLAIM**

(76) Inventor: **Michael Bucci**, 5720 Oak Mill Ct., Glen Allen, VA (US) 23059

I claim the ornamental design for a device for supporting an object, as shown and described.

(\*\*) Term: **14 Years**

**DESCRIPTION**

(21) Appl. No.: **29/343,675**

FIG. 1 is a perspective view of one embodiment of a device for supporting an object showing the new design;

(22) Filed: **Sep. 17, 2009**

FIG. 2 is a front elevational view thereof;

**Related U.S. Application Data**

FIG. 3 is a rear elevational view thereof;

(60) Division of application No. 29/334,086, filed on Mar. 20, 2009, now Pat. No. Des. 603,245, which is a continuation-in-part of application No. 29/326,489, filed on Oct. 20, 2008, now Pat. No. Des. 602,341, which is a continuation-in-part of application No. 29/283,426, filed on Aug. 14, 2007, now Pat. No. Des. 581,251, and a continuation-in-part of application No. 29/295,012, filed on Sep. 20, 2007, now Pat. No. Des. 581,254.

FIG. 4 is a top view thereof;

FIG. 5 is a bottom view thereof;

(51) **LOC (9) Cl.** ..... **08-05**

FIG. 6 is a perspective view of a second embodiment of a device for supporting an object;

(52) **U.S. Cl.** ..... **D8/354**

FIG. 7 is a front elevational view thereof;

(58) **Field of Classification Search** ..... D8/349, D8/354, 380, 382, 388, 400, 402, 499; D21/505, D21/803, 373, 388, 396; D11/131, 131.1, D11/157; D25/15, 26; D6/407, 474; 211/41.16; 229/113, 114, 116; 273/153 P, 153 S, 157 R; 446/70, 121, 122, 125; 248/346.01, 546, 248/694, 126, 176.1; 434/211, 403; D10/109; 182/115

FIG. 8 is a rear elevational view thereof;

FIG. 9 is a top view thereof;

FIG. 10 is a bottom view thereof;

FIG. 11 is a perspective view of a third embodiment of a device for supporting an object;

See application file for complete search history.

FIG. 12 is a front elevational view thereof;

FIG. 13 is a right side elevational view thereof;

FIG. 14 is a rear elevational view thereof;

FIG. 15 is a left side elevational view thereof;

FIG. 16 is a top view thereof;

FIG. 17 is a bottom view thereof;

FIG. 18 is a perspective view of a fourth embodiment of a device for supporting an object;

FIG. 19 is a front elevational view thereof;

FIG. 20 is a right side elevational view thereof;

FIG. 21 is a rear elevational view thereof;

FIG. 22 is a left side elevational view thereof;

FIG. 23 is a top view thereof; and,

FIG. 24 is a bottom view thereof.

(56) **References Cited**

**U.S. PATENT DOCUMENTS**

1,216,840 A 2/1917 Ramsey et al.  
2,483,734 A 10/1949 Neal

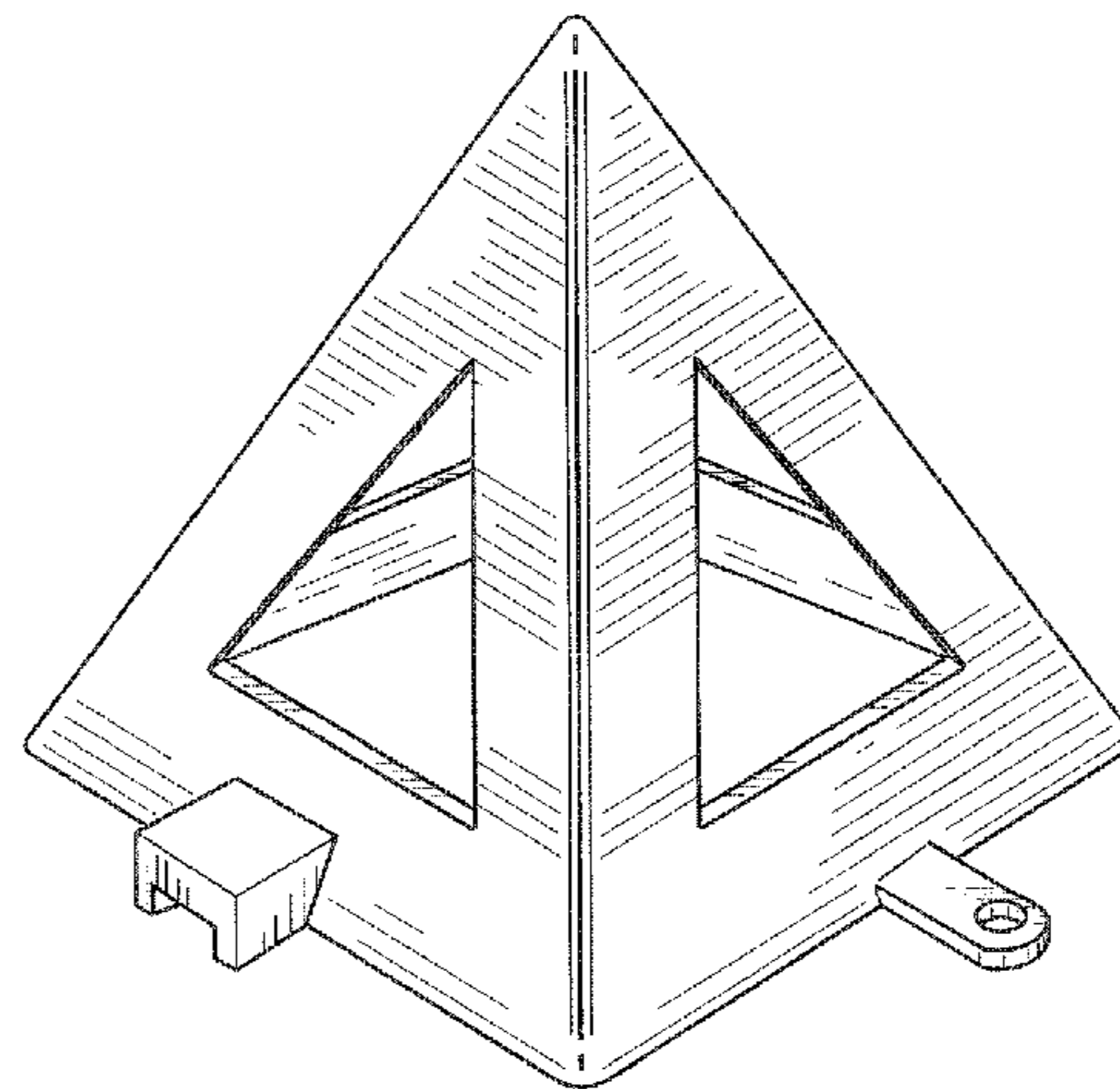
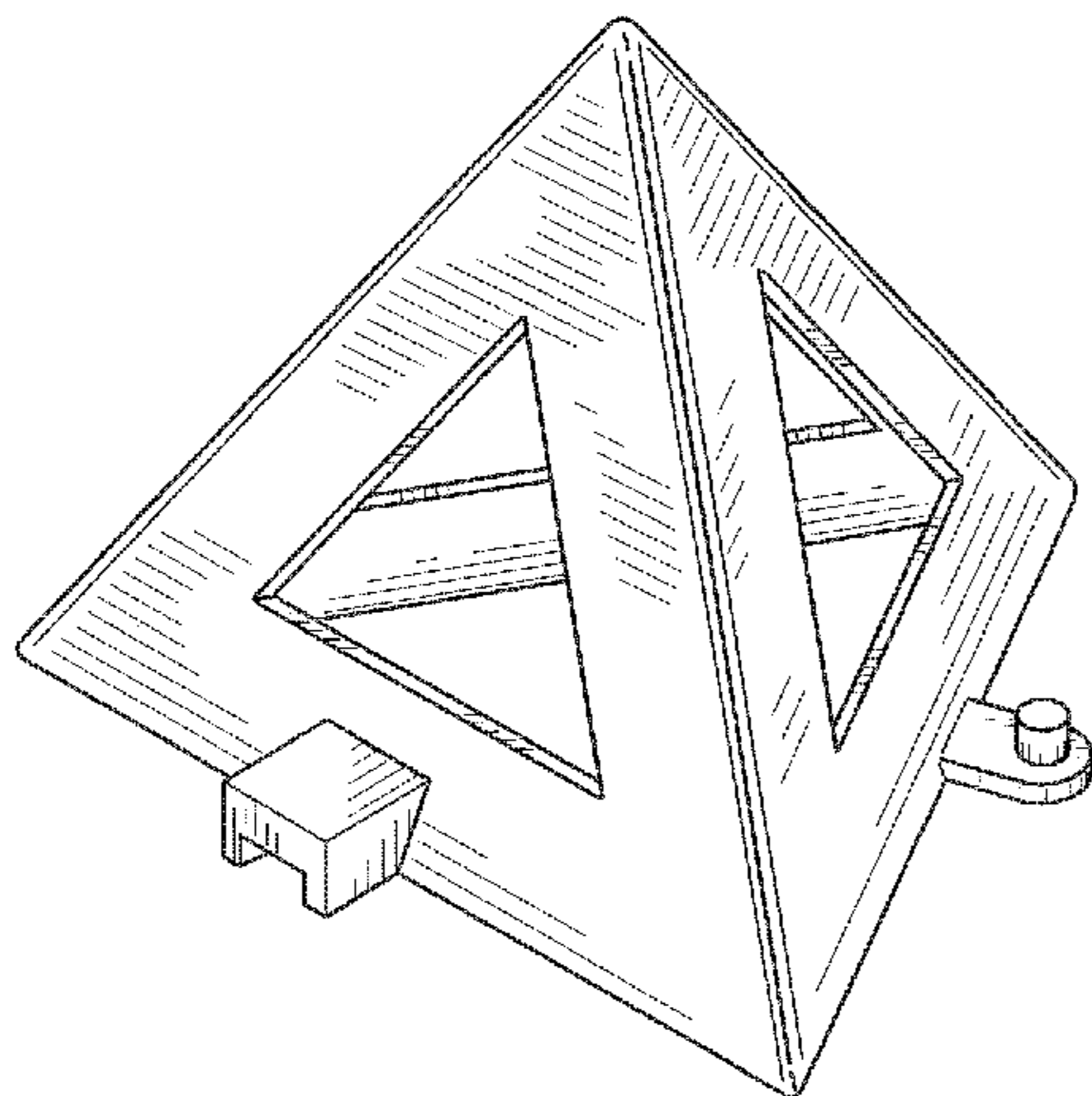
(Continued)

*Primary Examiner*—Philip S Hyder

*Assistant Examiner*—Cynthia M Chin

(74) *Attorney, Agent, or Firm*—Thomas, Raring & Teague, P.C.

**1 Claim, 12 Drawing Sheets**



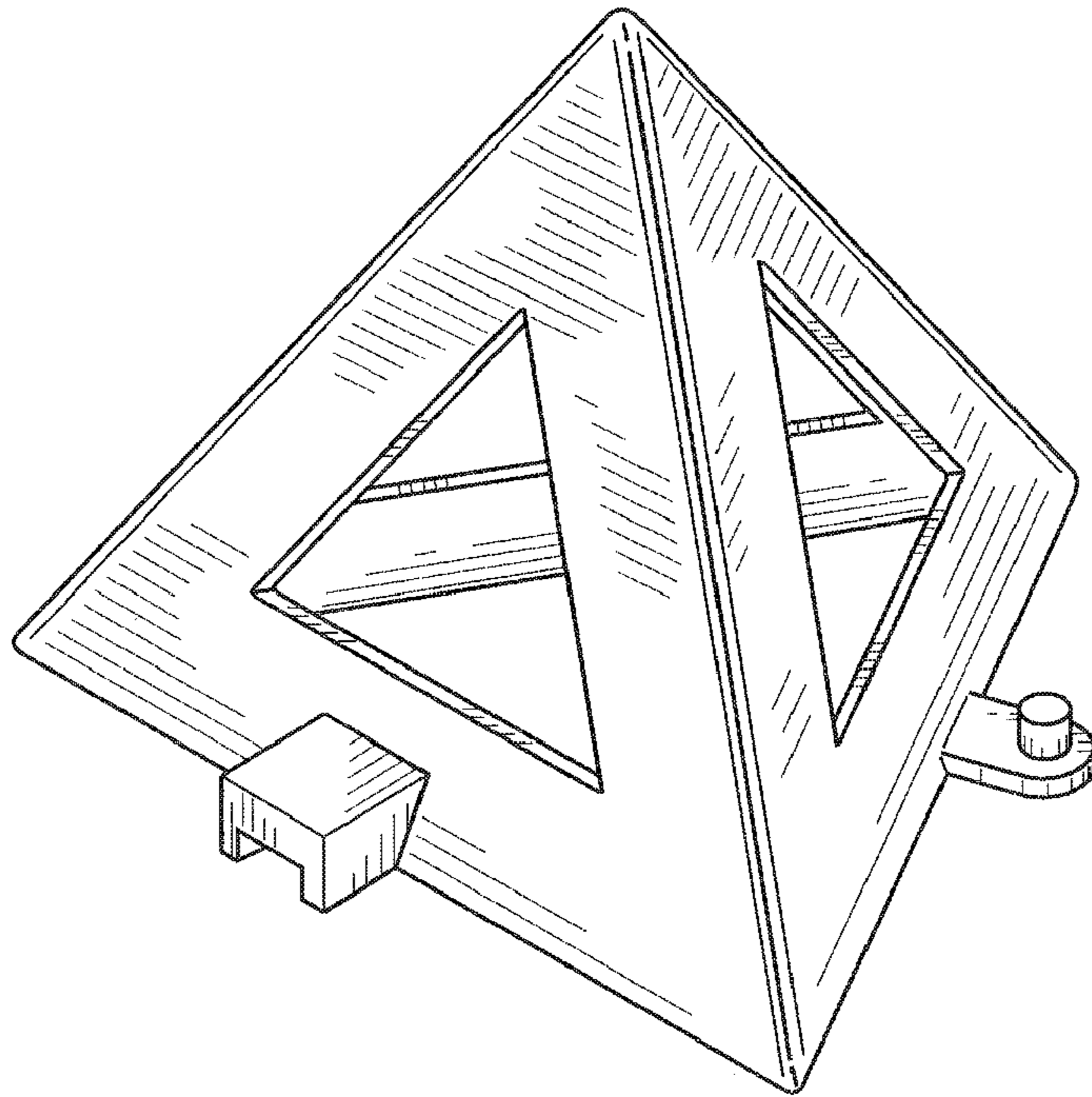
# US D609,077 S

Page 2

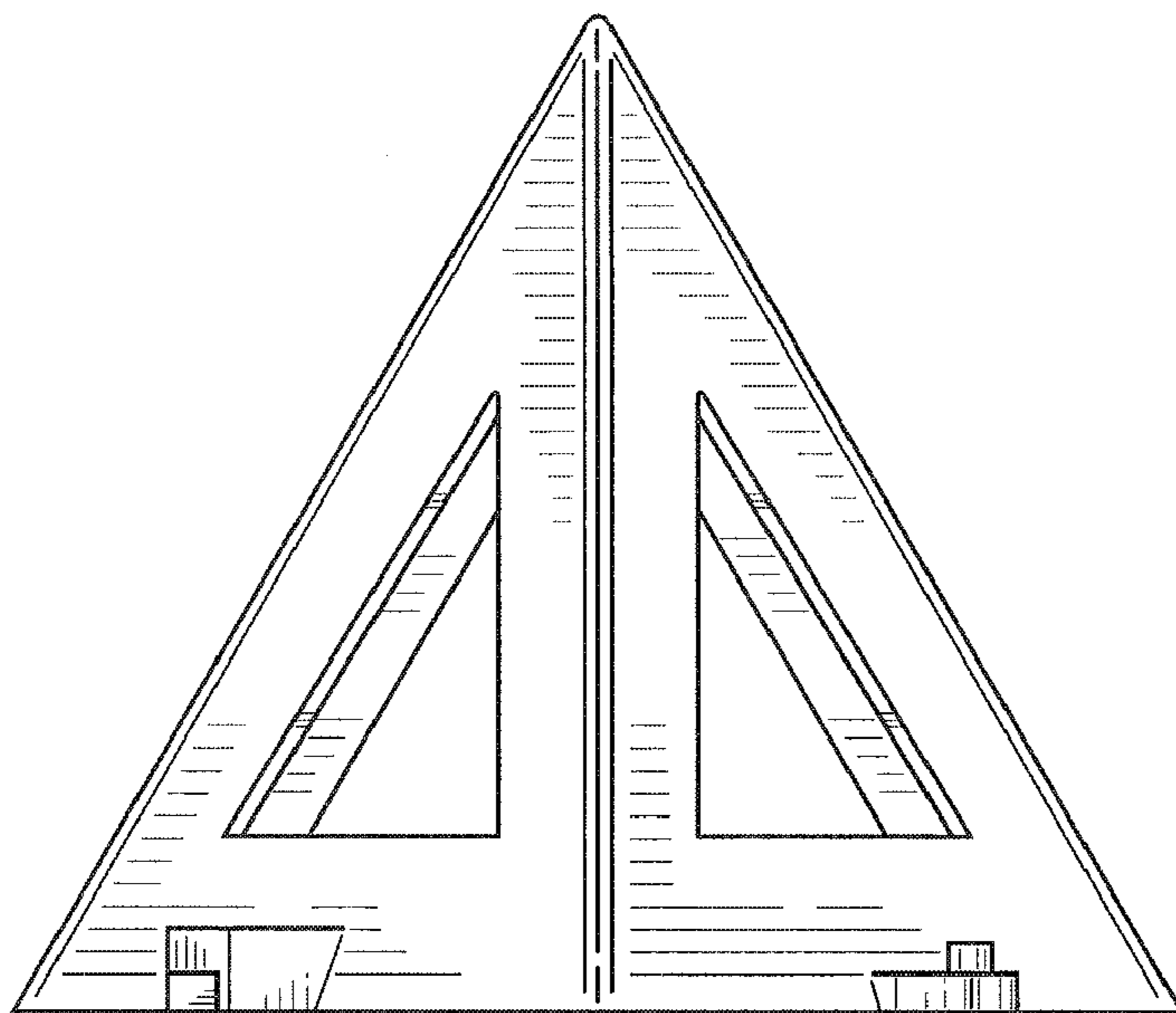
## U.S. PATENT DOCUMENTS

D206,635 S	1/1967	Walter					
3,565,442 A	2/1971	Klein					
3,608,906 A *	9/1971	Odier .....	273/157 R				
3,659,360 A	5/1972	Zeischegg					
3,666,607 A *	5/1972	Weissman .....	428/33				
3,782,029 A	1/1974	Bardot					
3,800,735 A *	4/1974	Simpson .....	116/63 P				
D231,787 S	6/1974	Burnley					
3,940,100 A	2/1976	Haug					
3,974,611 A *	8/1976	Satterthwaite .....	52/309.9				
3,976,411 A	8/1976	Satterwaite					
D242,640 S	12/1976	Mosher					
4,026,087 A	5/1977	White					
D245,279 S	8/1977	Hollendonner					
D250,174 S	11/1978	Hedgecock					
D261,373 S	10/1981	Fisher					
D262,901 S *	2/1982	Vukadinovic .....	D21/479				
D263,255 S	3/1982	Zima					
4,317,654 A *	3/1982	Wahl .....	434/211				
4,323,245 A *	4/1982	Beaman .....	273/157 R				
4,345,761 A *	8/1982	China .....	273/146				
4,354,288 A	10/1982	Dennis					
D267,588 S	1/1983	Goodell					
D268,315 S	3/1983	Kirk					
D272,841 S *	2/1984	Matsumoto .....	D21/478				
4,461,480 A	7/1984	Mitchell					
D275,889 S	10/1984	Nelson					
4,558,866 A *	12/1985	Alford .....	273/153 S				
4,848,263 A	7/1989	Grimm					
4,934,701 A *	6/1990	Ting .....	273/157 R				
D314,018 S	1/1991	Rosenthal					
D315,186 S	3/1991	Peterson					
D315,773 S	3/1991	Peterson					
D325,615 S *	4/1992	Matsch .....	D21/826				
5,199,375 A *	4/1993	Johson .....	116/209				
5,297,012 A	3/1994	Fletcher					
D351,623 S *	10/1994	Seiler .....	D21/336				
5,354,224 A *	10/1994	Ishiyama .....	446/117				
5,400,998 A	3/1995	Ma					
5,407,201 A *	4/1995	Whitehurst .....	273/157 R				
D367,119 S *	2/1996	Trunk .....	D25/23				
D367,384 S	2/1996	DiFranco et al.					
5,601,645 A	2/1997	Nonomura et al.					
5,615,429 A	4/1997	Williams					
5,769,598 A	6/1998	MacNeil					
5,788,933 A	8/1998	Peddicord					
D403,981 S	1/1999	Dillard					
5,895,304 A	4/1999	Dixon					
D409,687 S	5/1999	Mak					
5,945,161 A	8/1999	Hashimoto et al.					
5,947,786 A *	9/1999	Glick .....	446/85				
D417,329 S *	11/1999	Ramadei .....	D99/25				
D445,721 S	7/2001	McLeish et al.					
6,425,646 B1 *	7/2002	Andrews .....	312/114				
D482,111 S *	11/2003	Laferriere et al. ....	D23/364				
D483,200 S	12/2003	Udommahuntisuk					
6,976,768 B2 *	12/2005	Hewson .....	362/247				
D514,971 S	2/2006	Burch et al					
7,047,681 B2	5/2006	Perelli et al.					
D522,348 S	6/2006	Hansen					
D551,116 S	9/2007	Devory, Jr.					
D574,293 S	8/2008	Devory, Jr.					
D574,440 S	8/2008	Goodrich					
2005/0014112 A1	1/2005	Fentress					

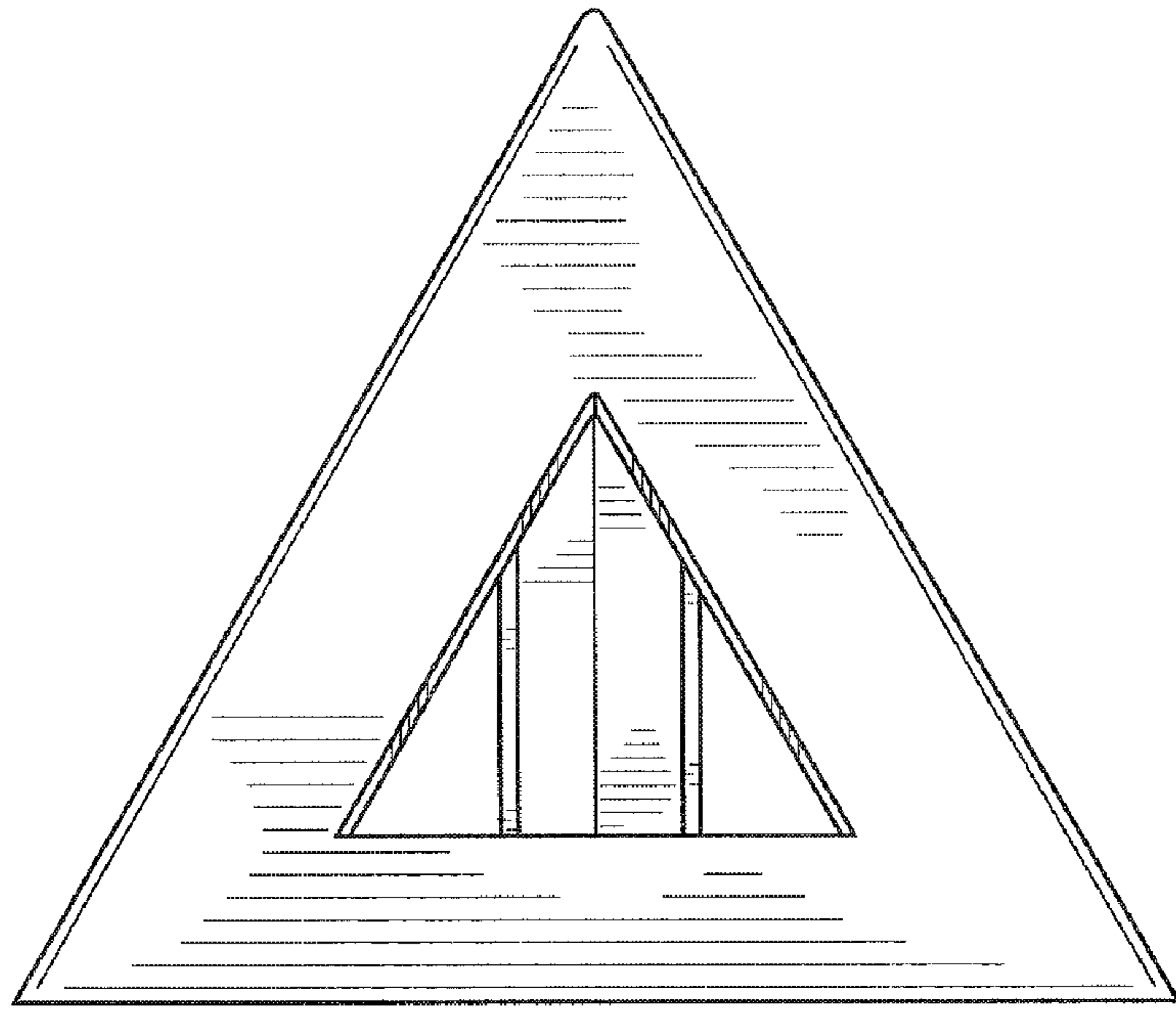
\* cited by examiner



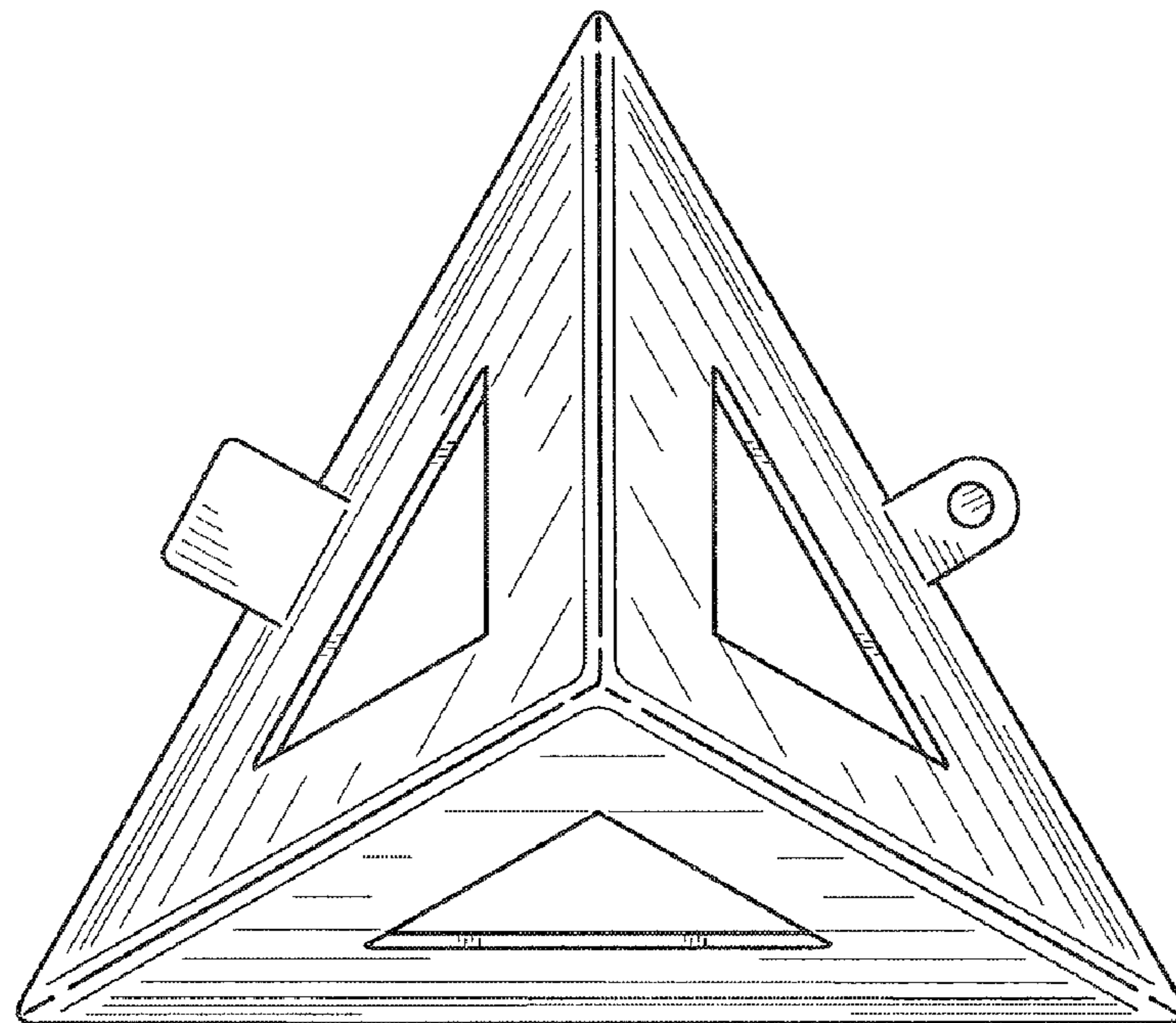
**FIG. 1**



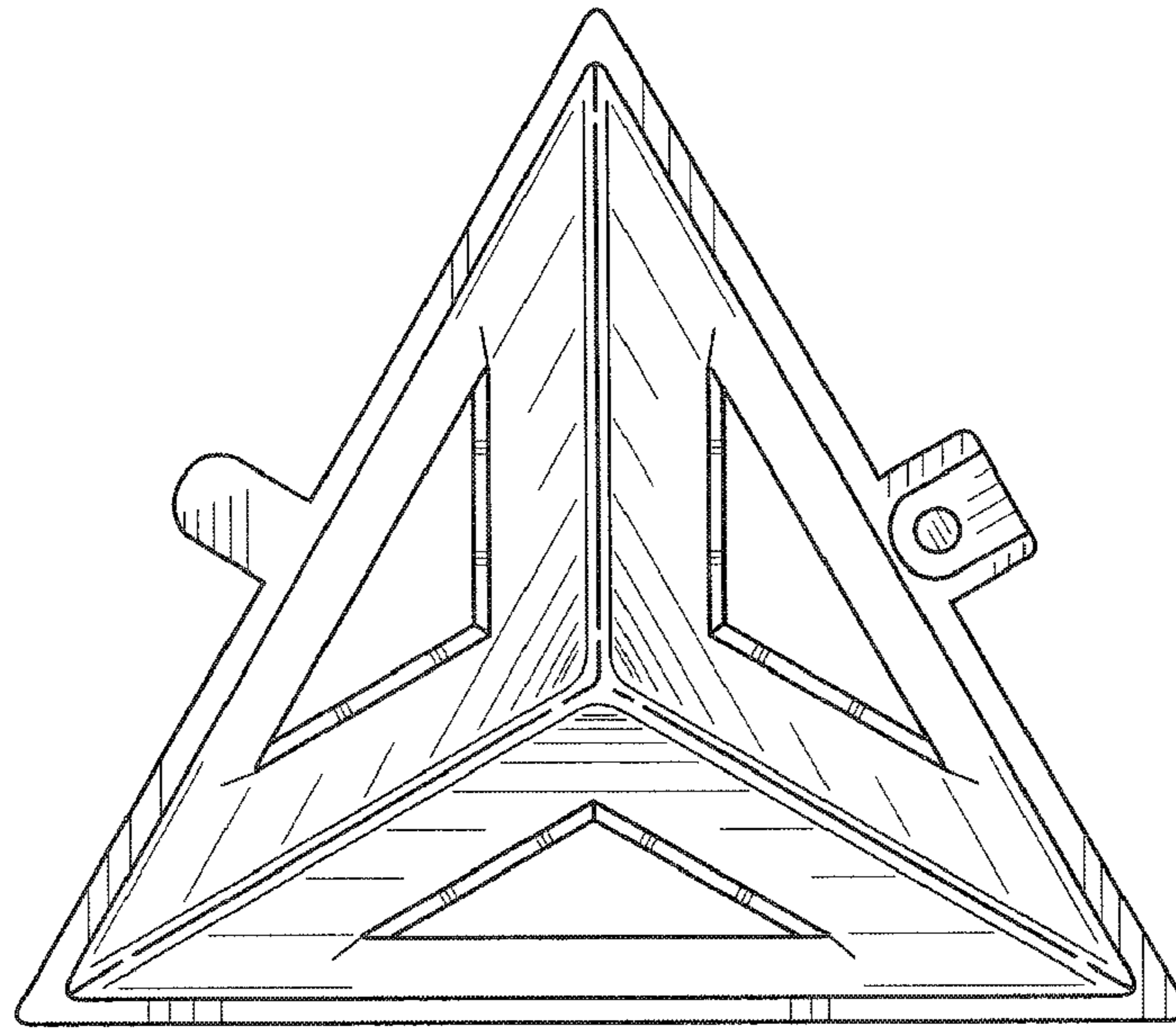
**FIG. 2**



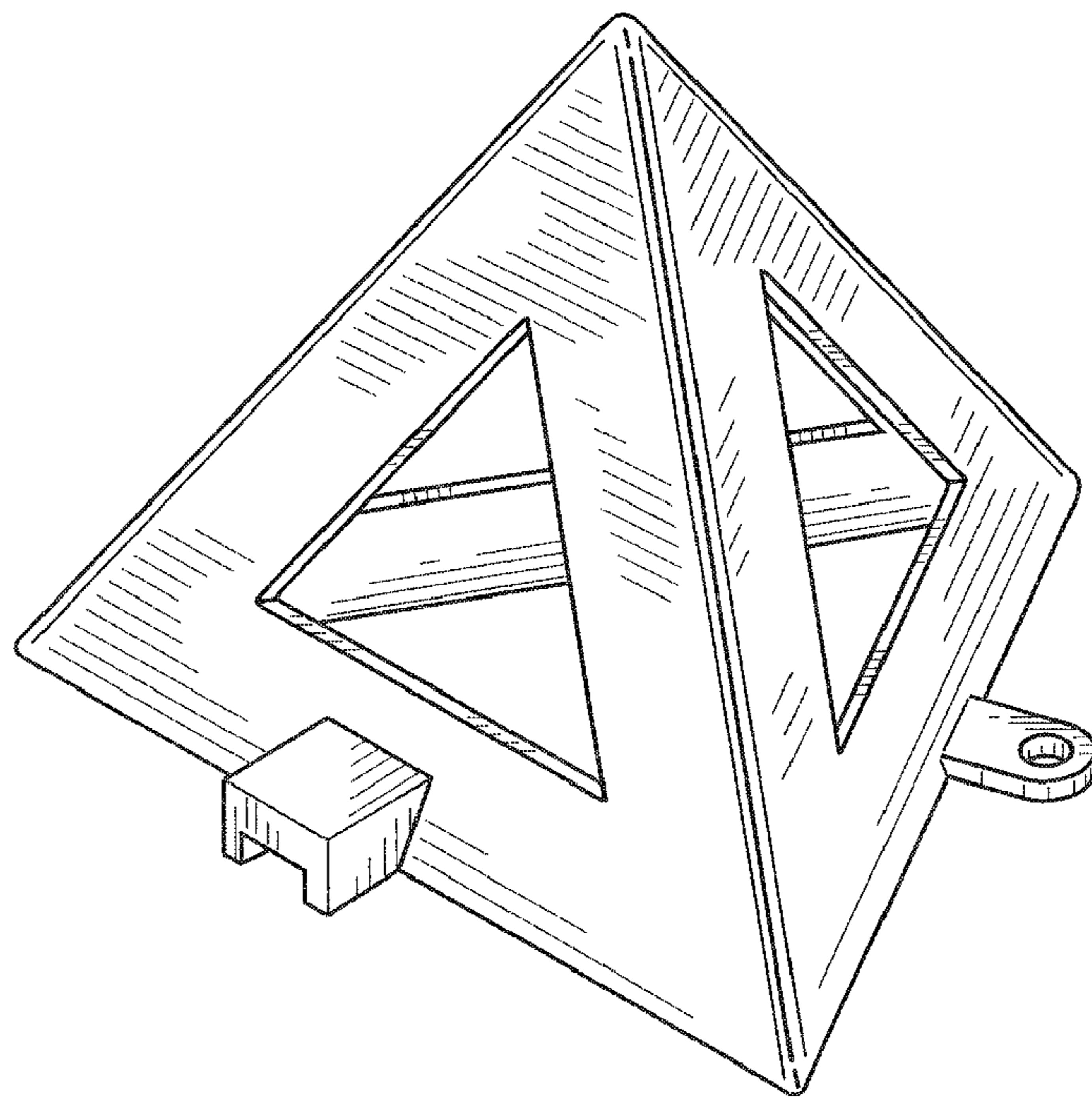
**FIG. 3**



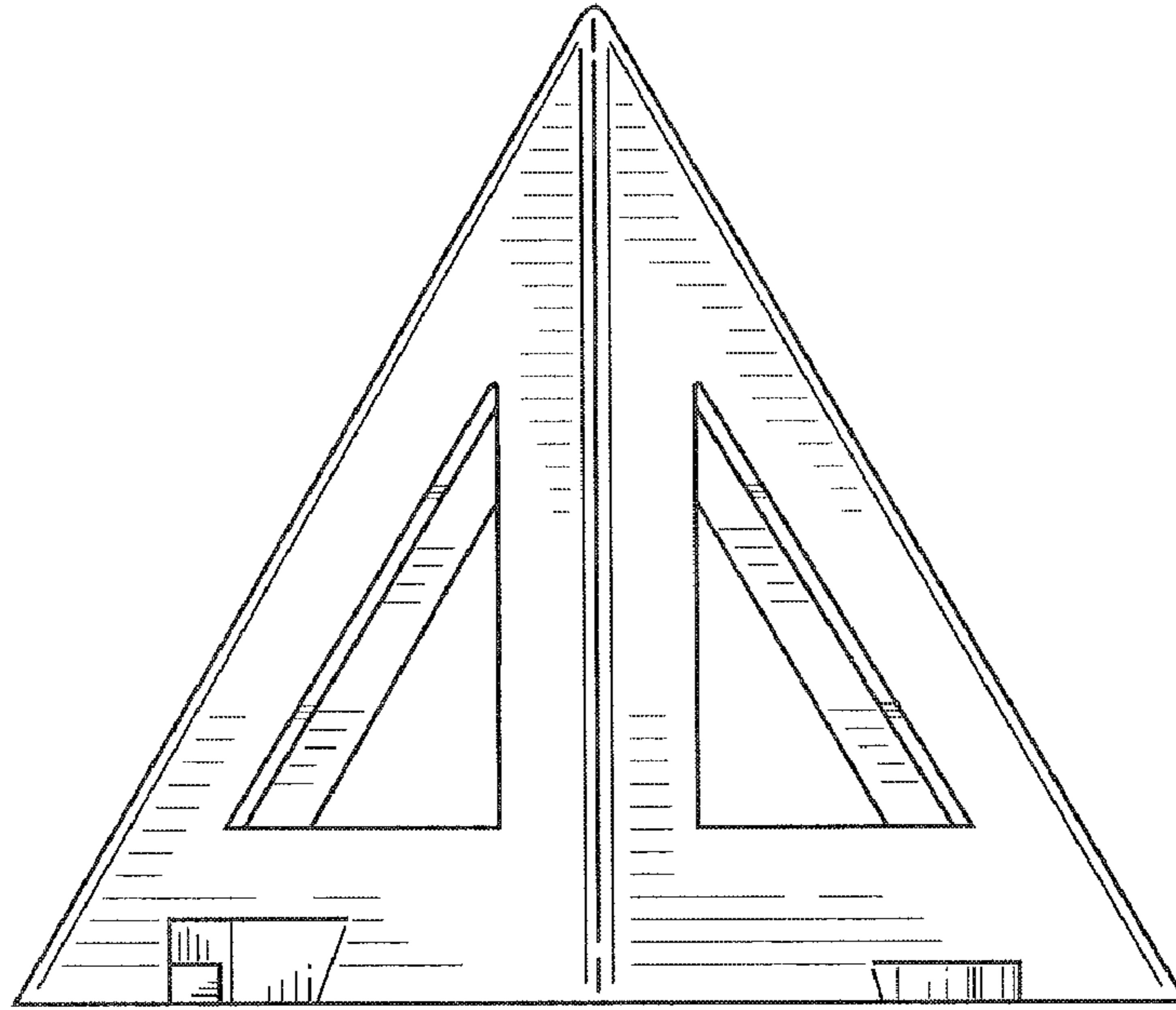
**FIG. 4**



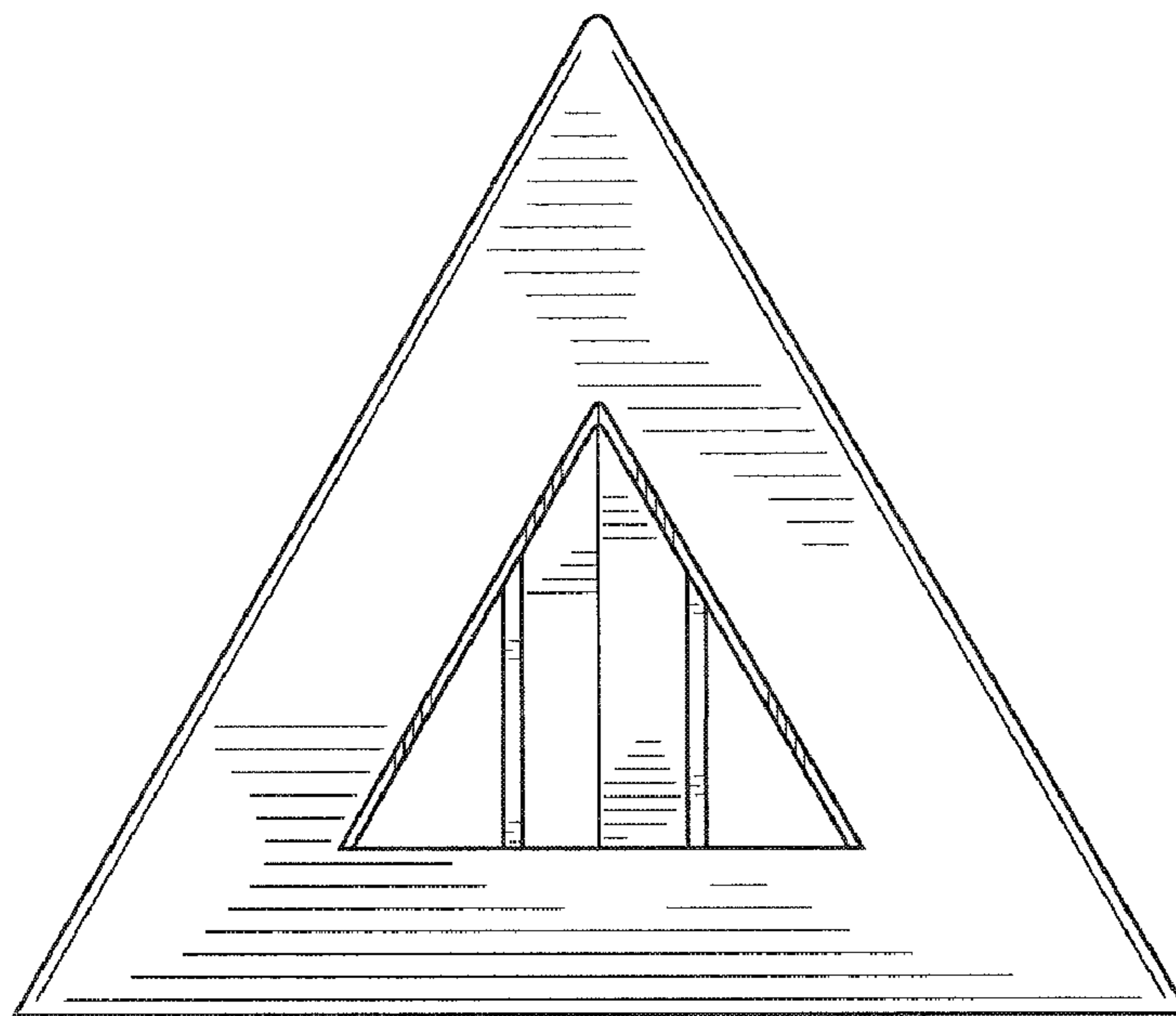
**FIG. 5**



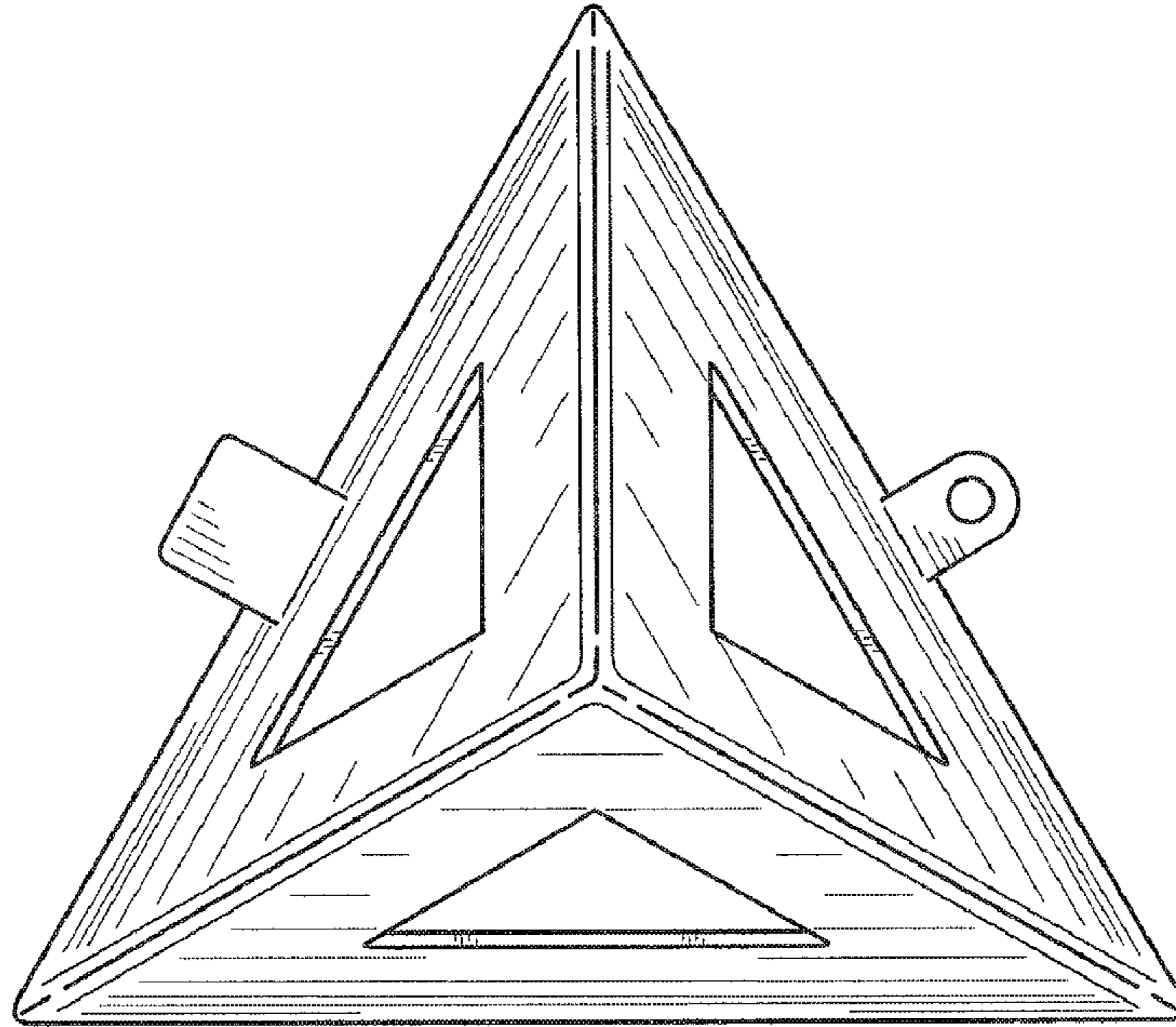
**FIG. 6**



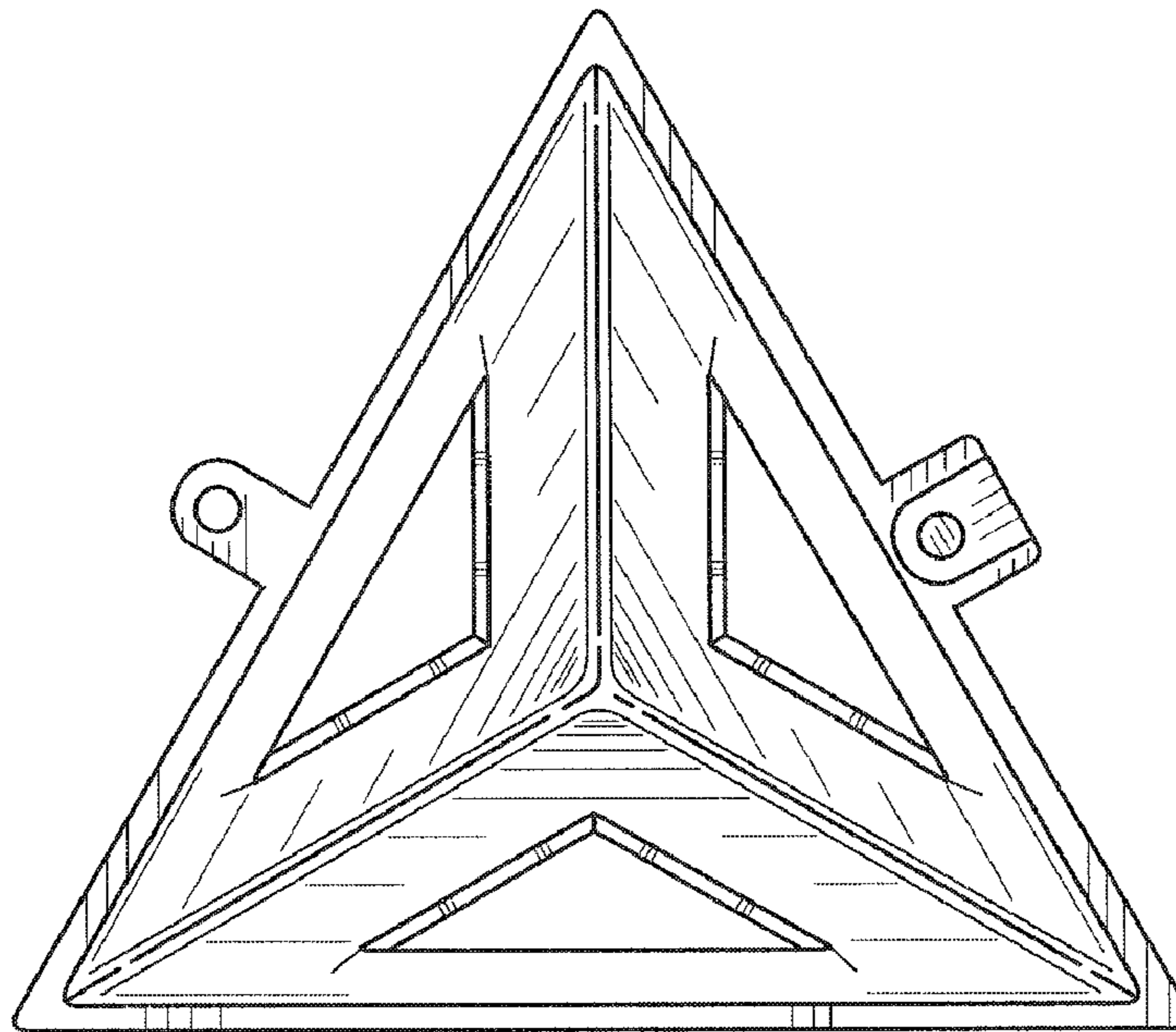
**FIG. 7**



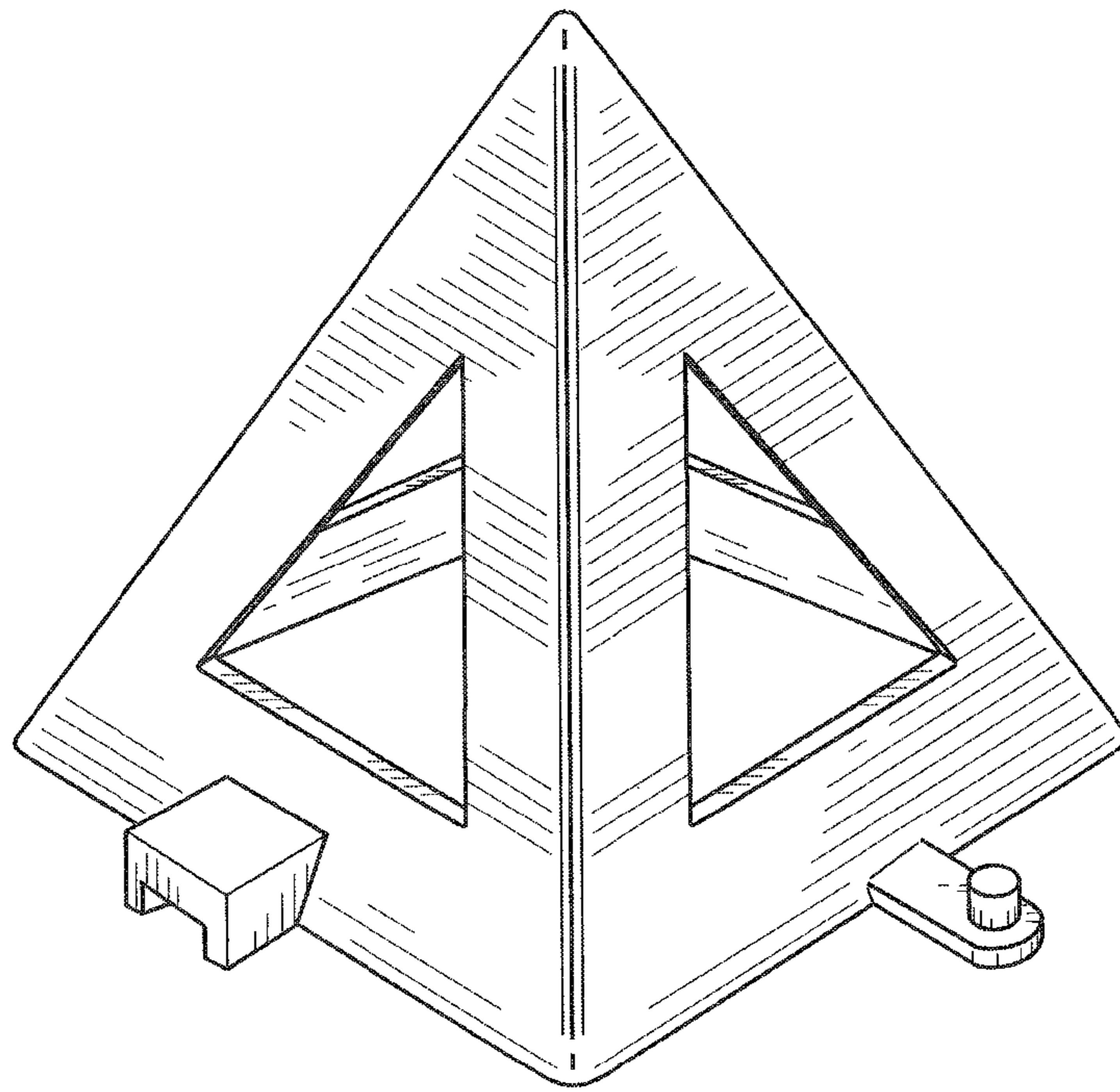
**FIG. 8**



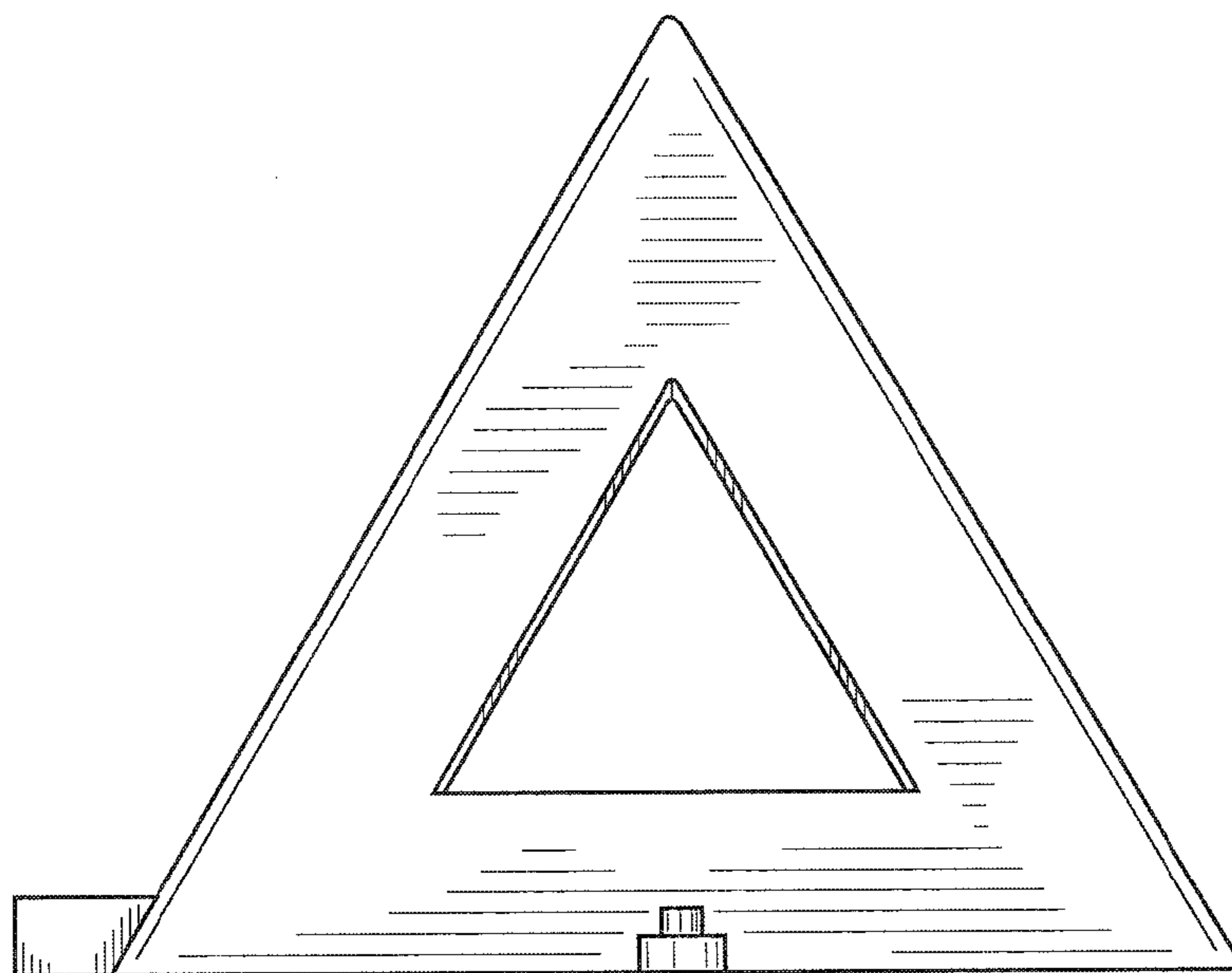
**FIG. 9**



**FIG. 10**

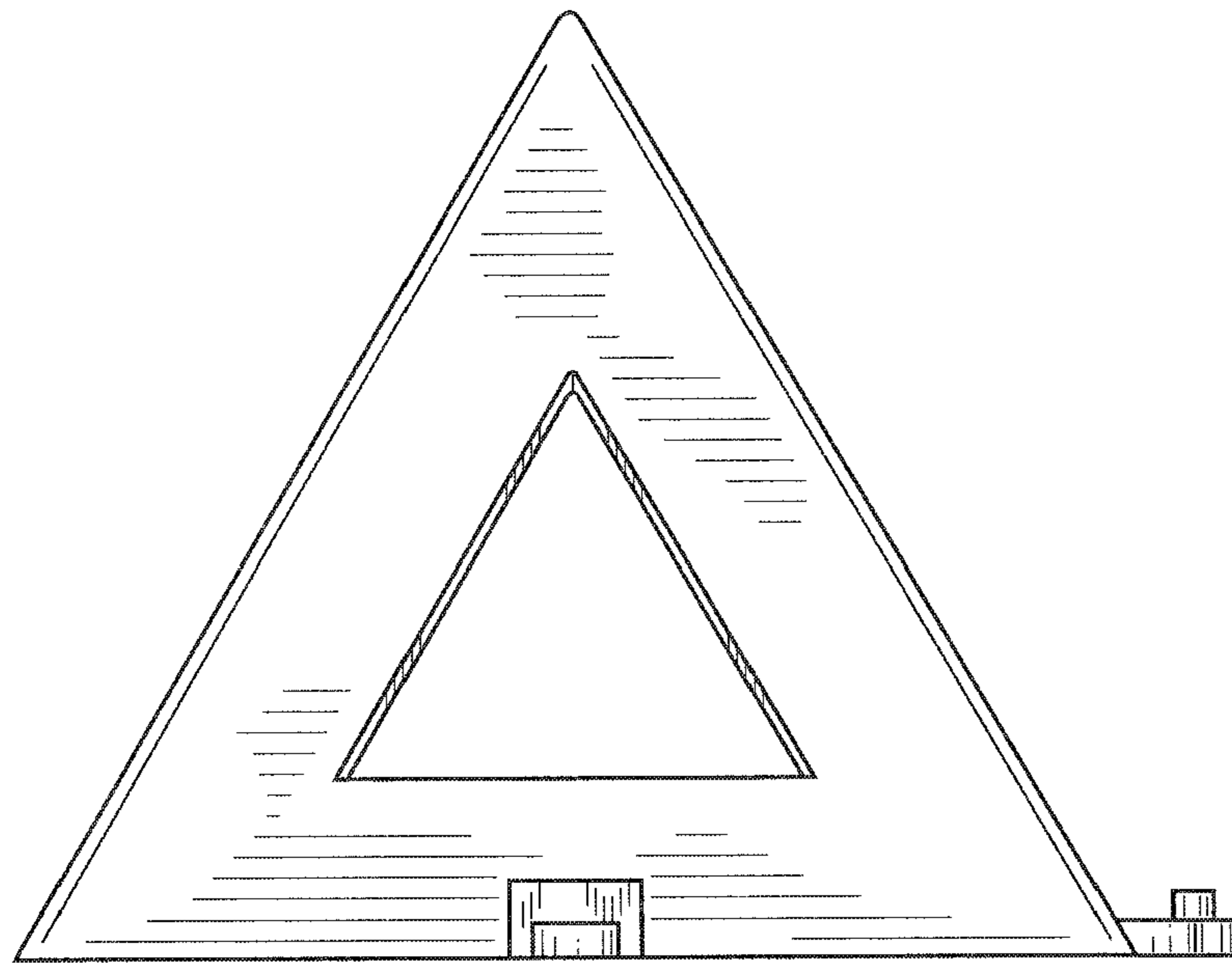


**FIG. 11**

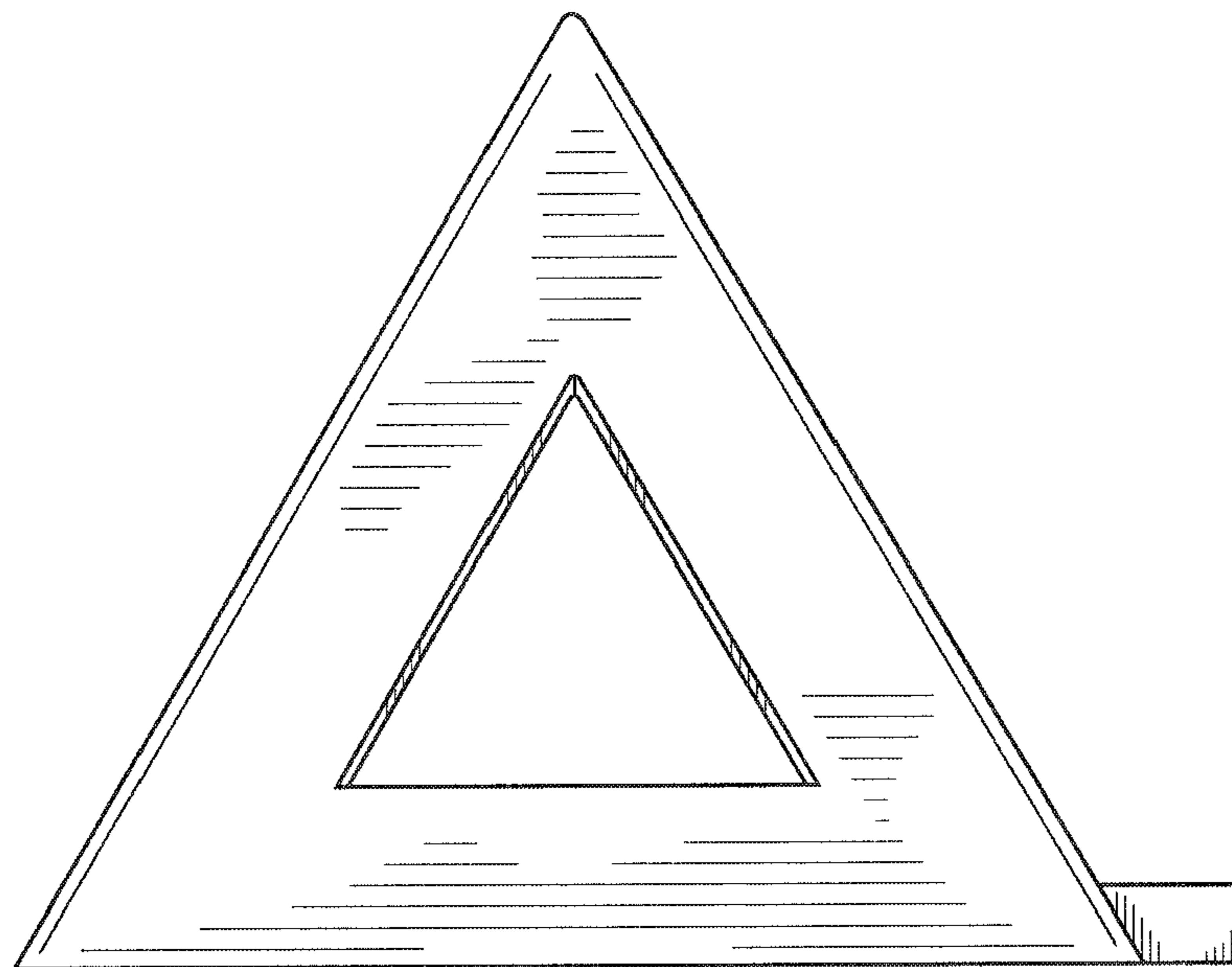


**FIG. 12**

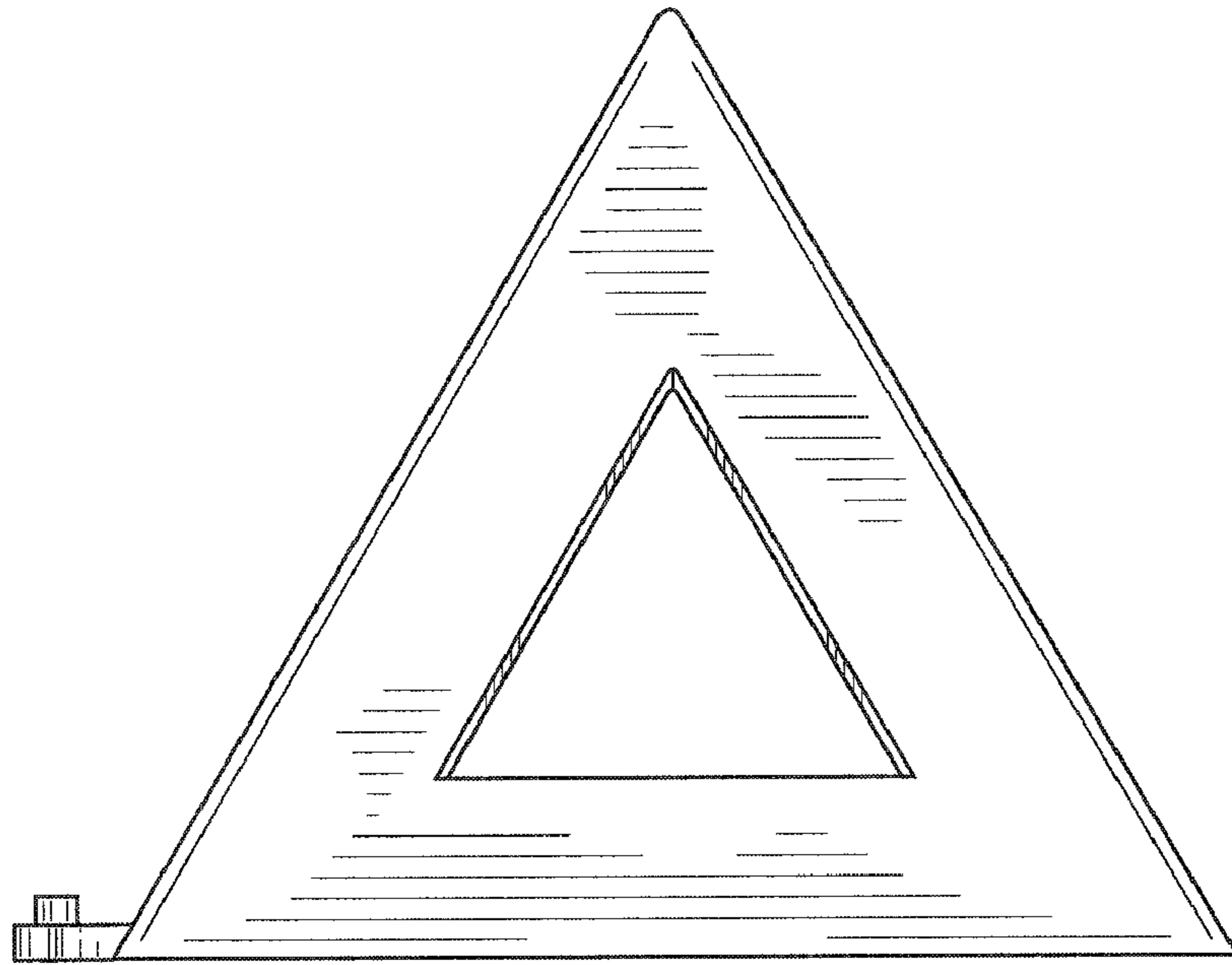




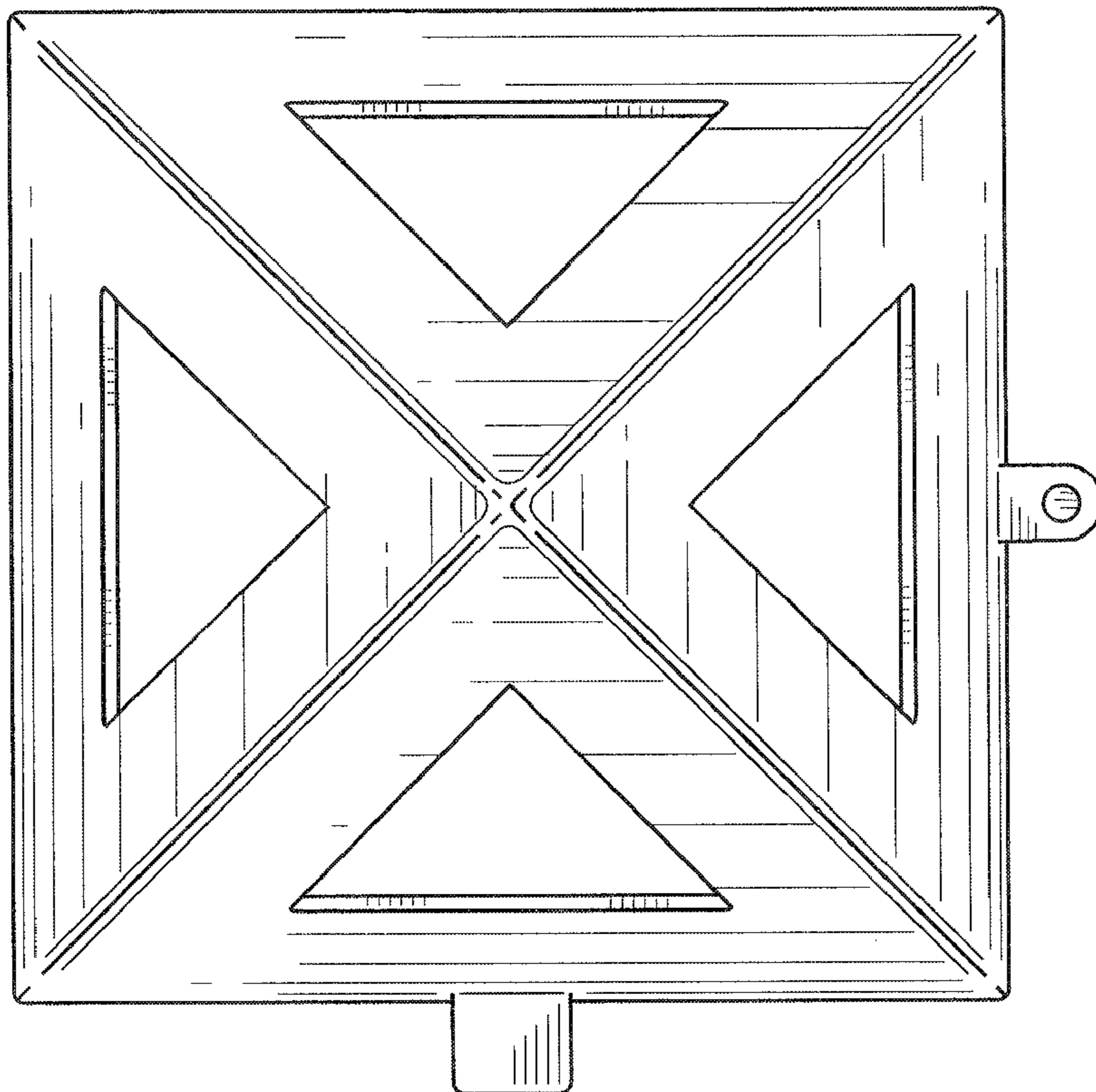
**FIG. 13**



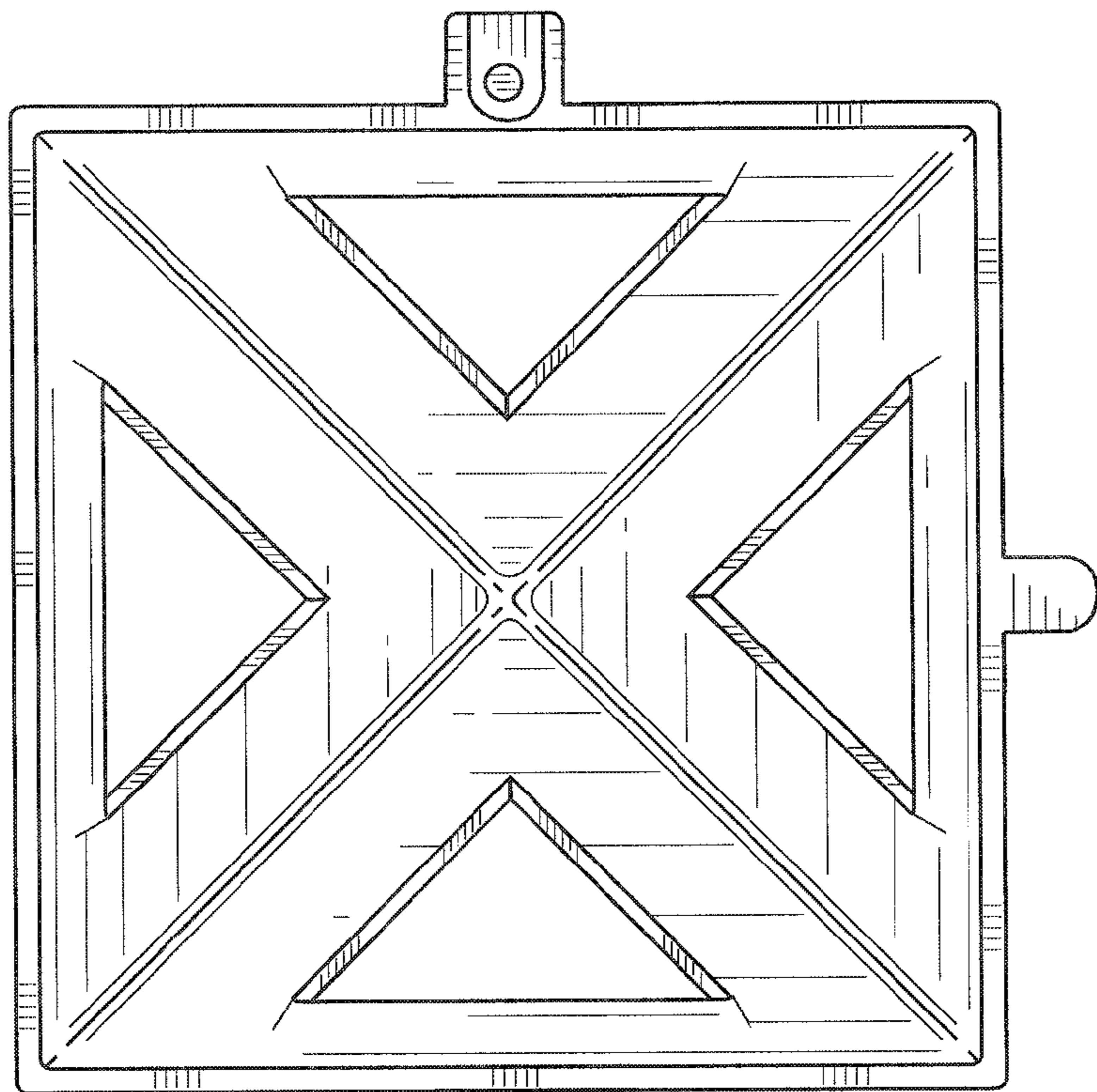
**FIG. 14**



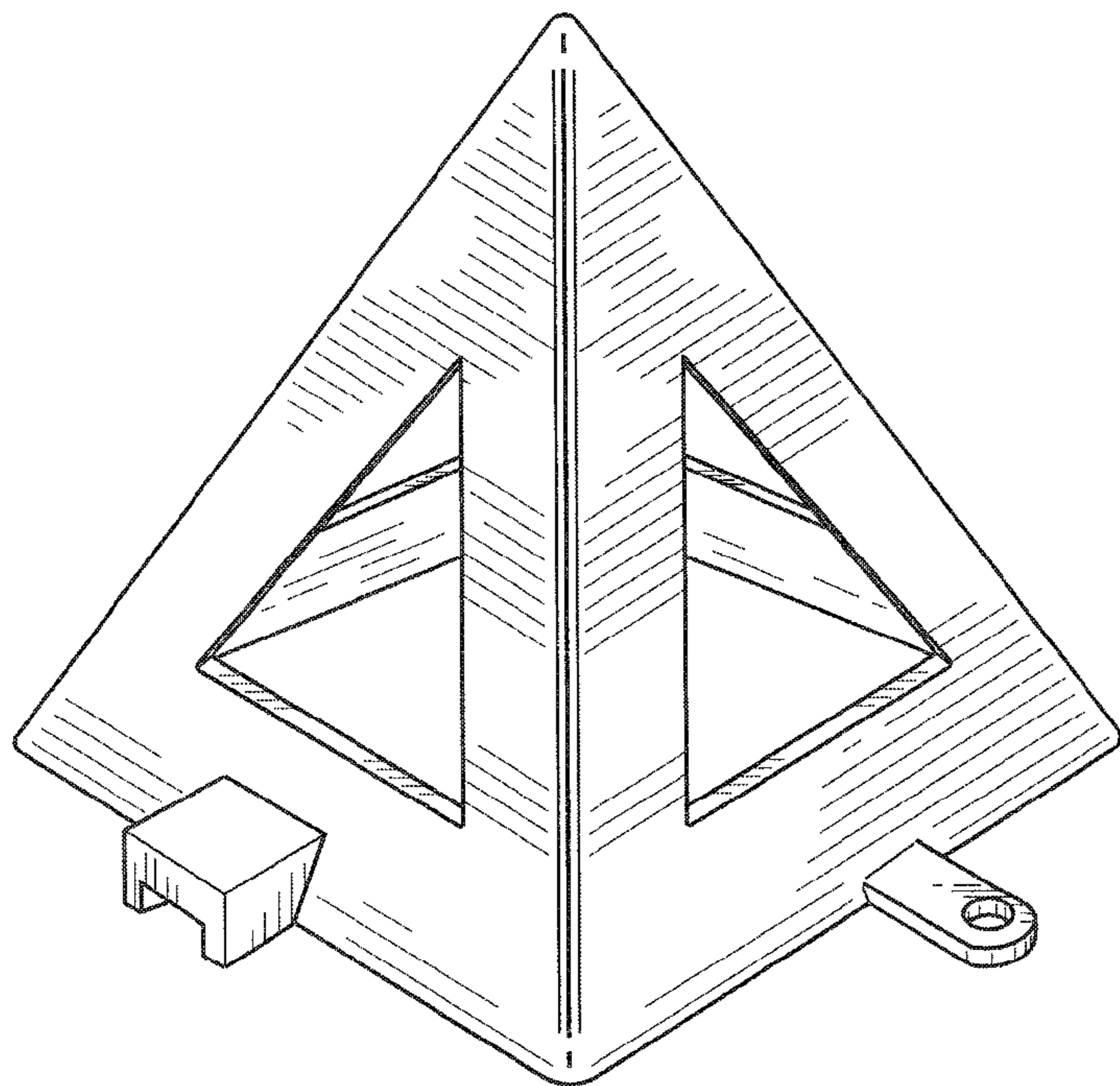
**FIG. 15**



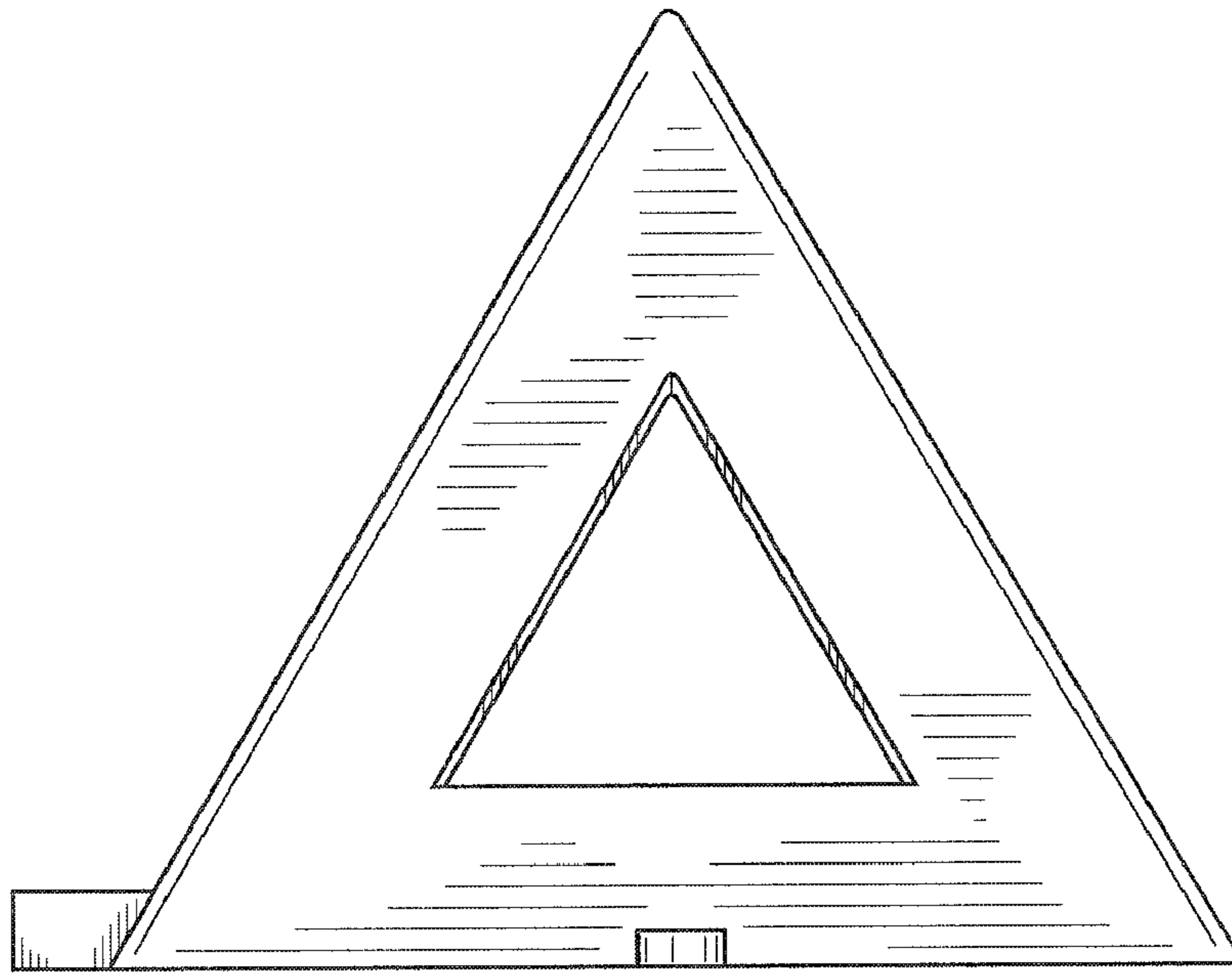
**FIG. 16**



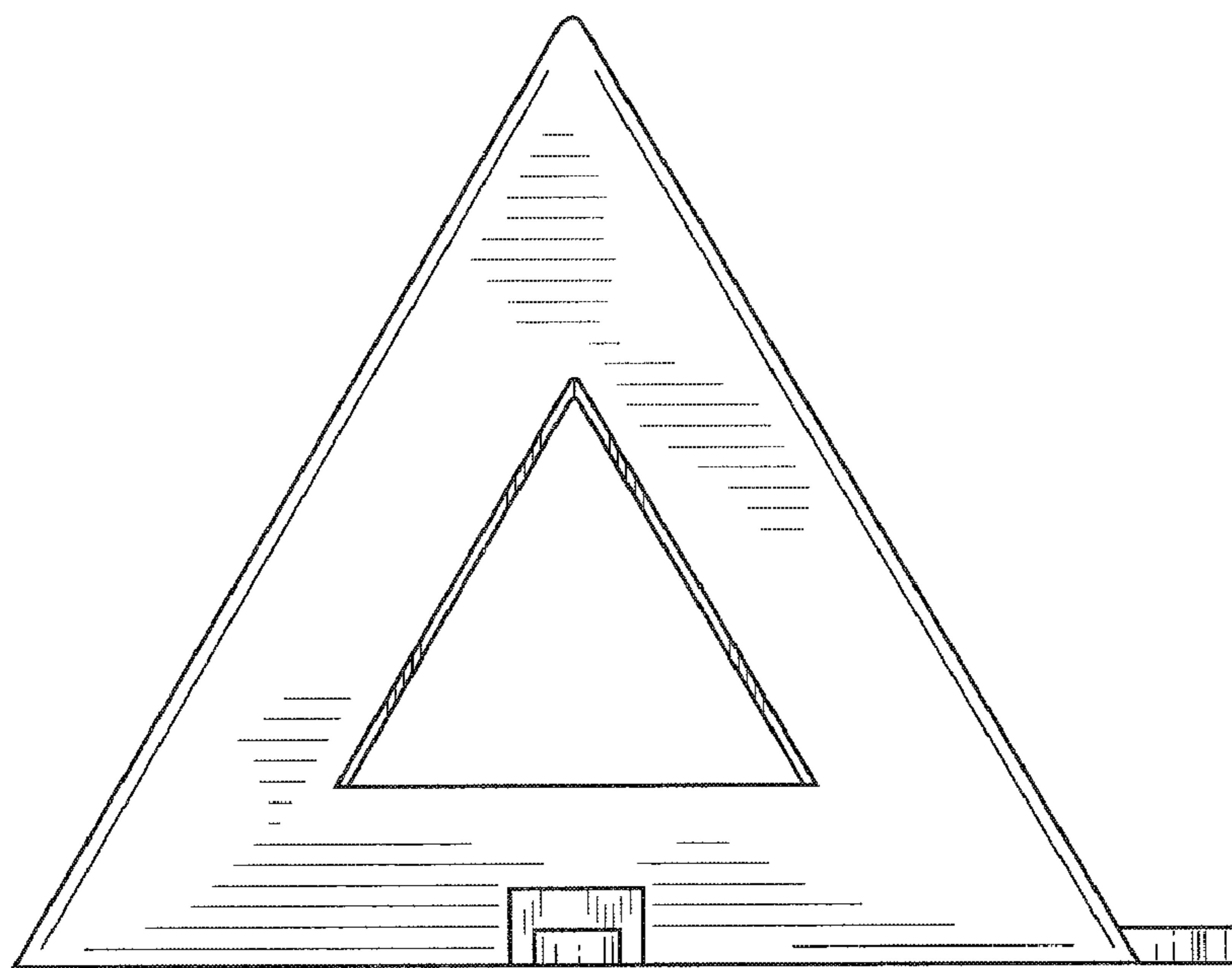
**FIG. 17**



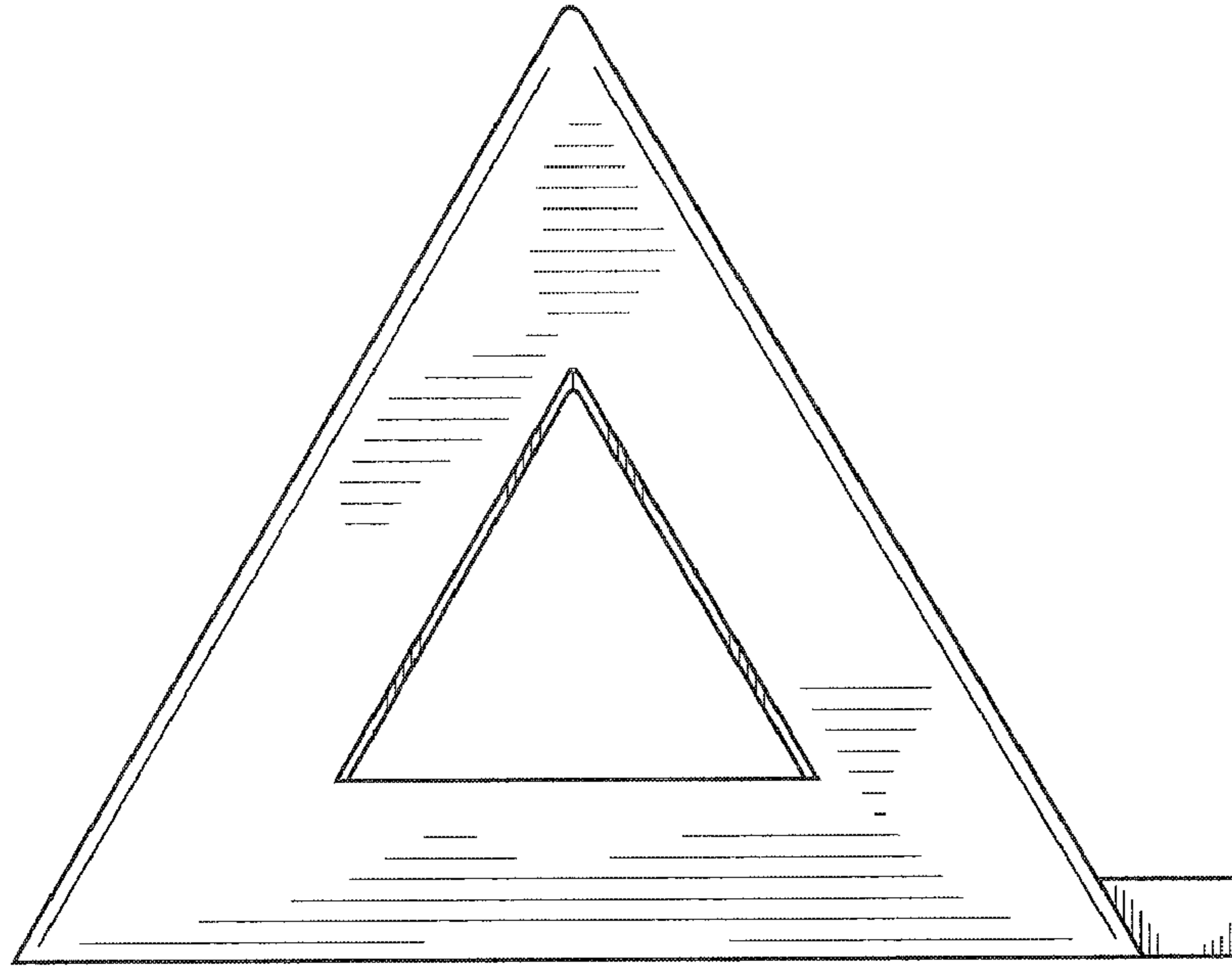
**FIG. 18**



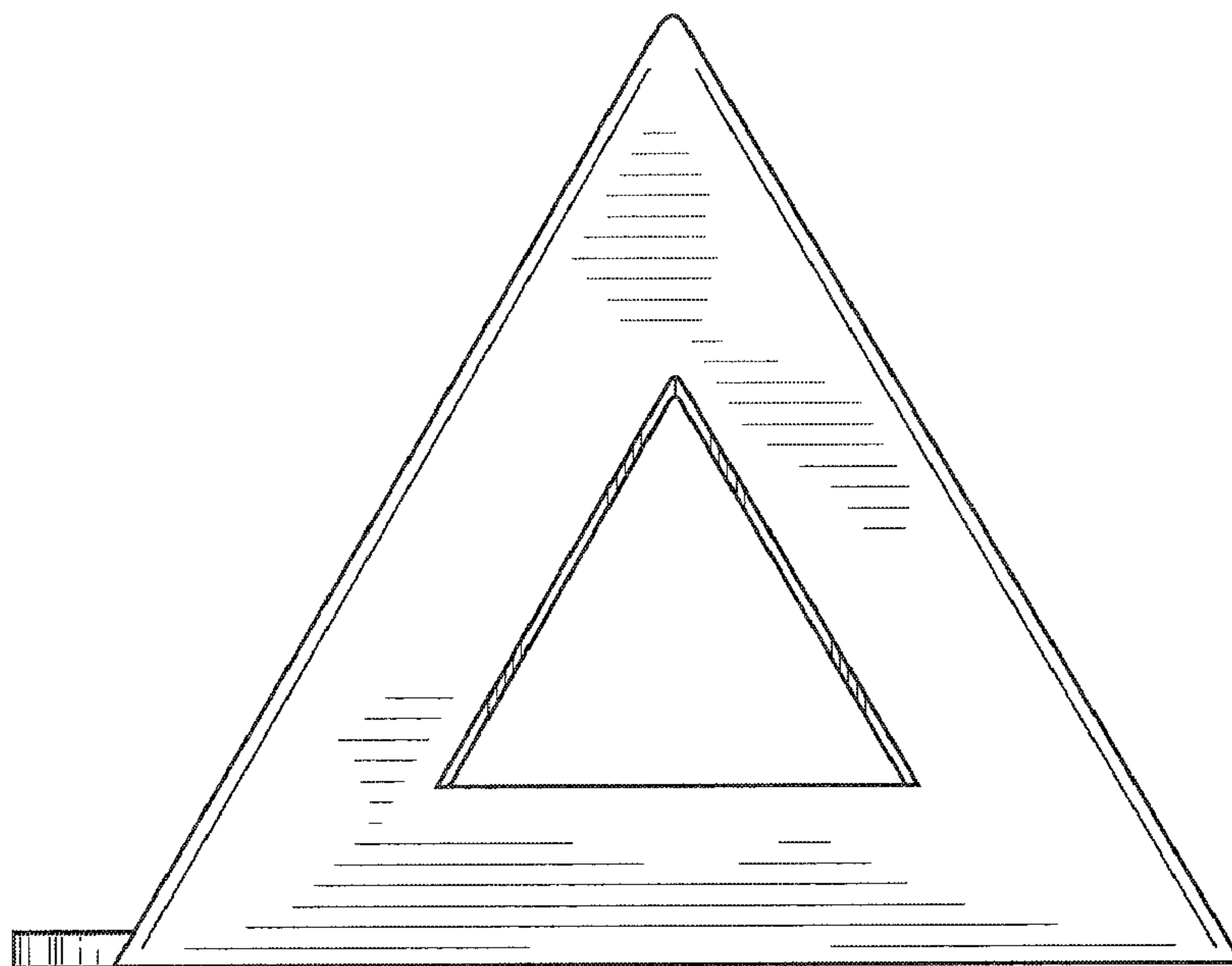
**FIG. 19**



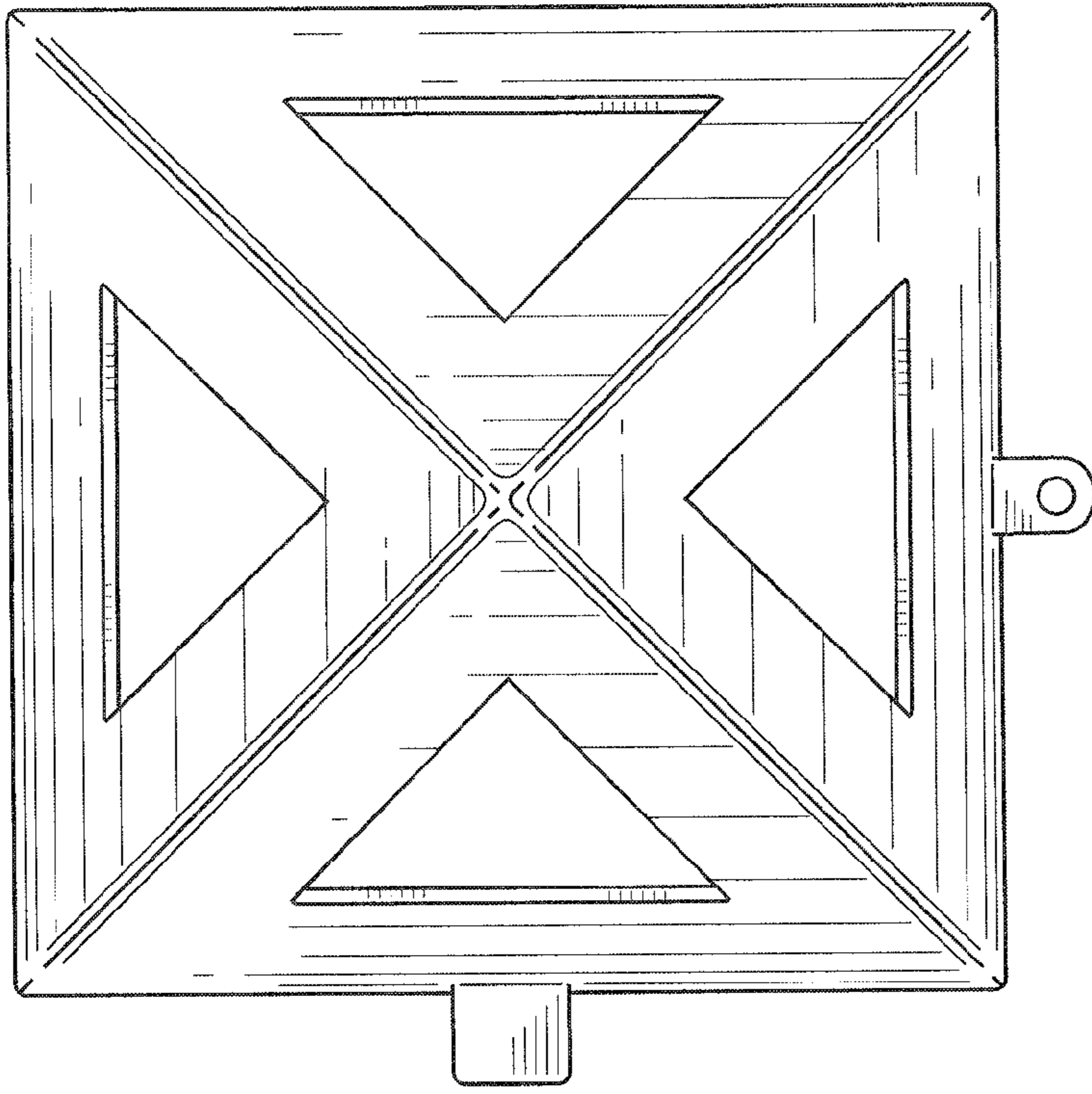
**FIG. 20**



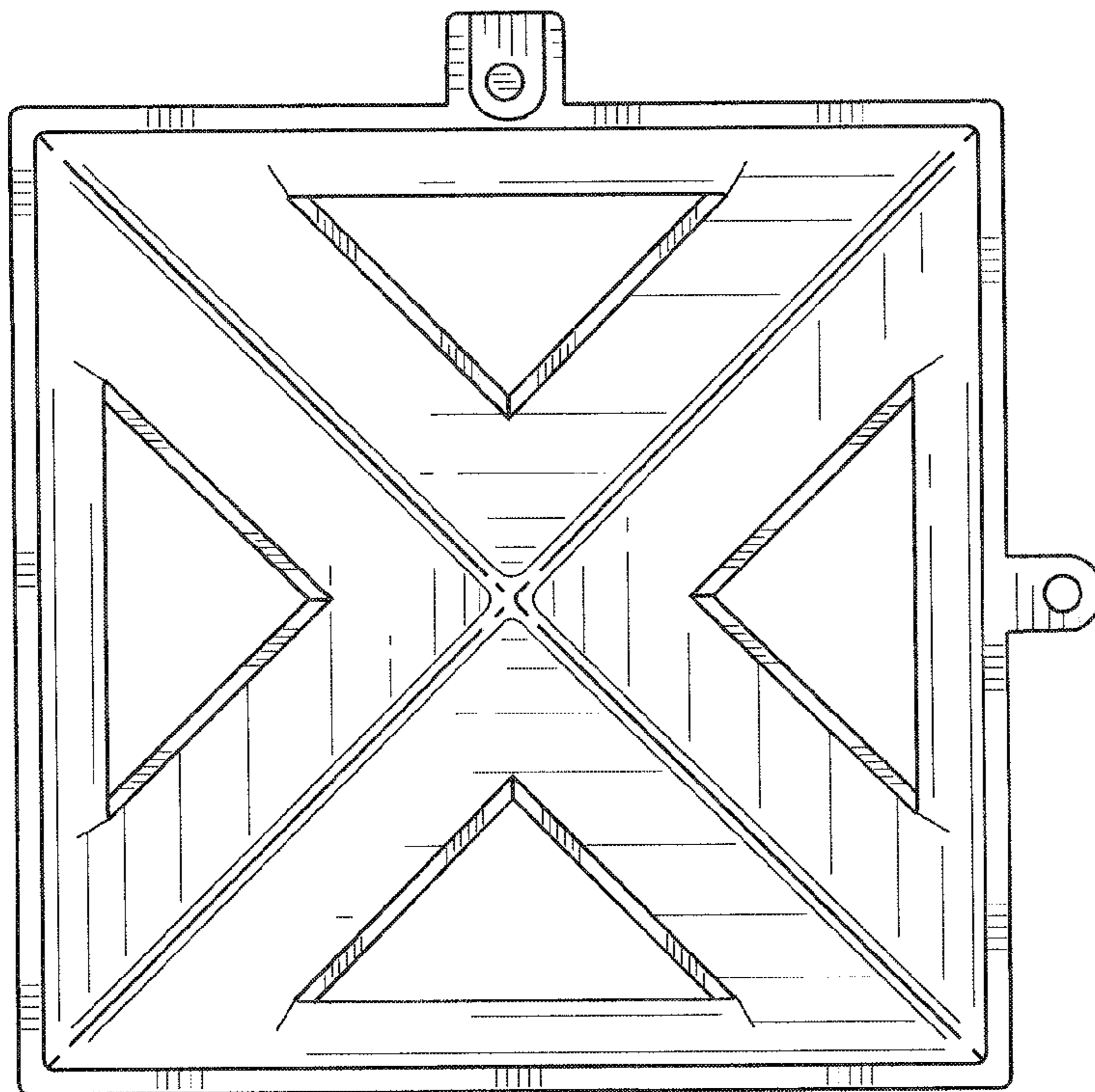
**FIG. 21**



**FIG. 22**



**FIG. 23**



**FIG. 24**