



US00D609076S

(12) **United States Design Patent**
Stevenson et al.

(10) **Patent No.:** **US D609,076 S**

(45) **Date of Patent:** **** Feb. 2, 2010**

(54) **TAMPER EVIDENT SECURITY SEAL**

2006/0254326 A1* 11/2006 Lax et al. 70/57.1

* cited by examiner

(75) Inventors: **Dale L. Stevenson**, Angola, IN (US);
Wanda K. Beard, Angola, IN (US);
Paul A. Littrell, Fort Wayne, IN (US);
Ni Zhen Rong, Jiangsu (CN)

Primary Examiner—Prabhakar Deshmukh

(74) *Attorney, Agent, or Firm*—Van Dyke, Gardner, Linn & Burkhart LLP

(73) Assignee: **Brammall, Inc.**, Angola, IN (US)

(57) **CLAIM**

(**) Term: **14 Years**

The ornamental design for a tamper evident security seal, as shown and described.

(21) Appl. No.: **29/340,462**

(22) Filed: **Jul. 20, 2009**

(51) **LOC (9) Cl.** **08-07**

(52) **U.S. Cl.** **D8/330**

(58) **Field of Classification Search** D8/330,
D8/331, 398, 394, 343, 499; 70/57, 57.1,
70/426, 465, 466, 431, 419, 422, DIG. 26;
220/260, 265, 266, 277

See application file for complete search history.

DESCRIPTION

FIG. 1 is a perspective view of a tamper evident security seal in accordance with the present invention;

FIG. 2 is another perspective view of the tamper evident security seal of FIG. 1;

FIG. 3 is a front elevation of the tamper evident security seal of FIG. 1;

FIG. 4 is a rear elevation of the tamper evident security seal of FIG. 1;

FIG. 5 is a side elevation of the tamper evident security seal of FIG. 1;

FIG. 6 is an opposite side elevation of the tamper evident security seal of FIG. 1;

FIG. 7 is an end elevation of the tamper evident security seal of FIG. 1; and,

FIG. 8 is an opposite end elevation of the tamper evident security seal of FIG. 1.

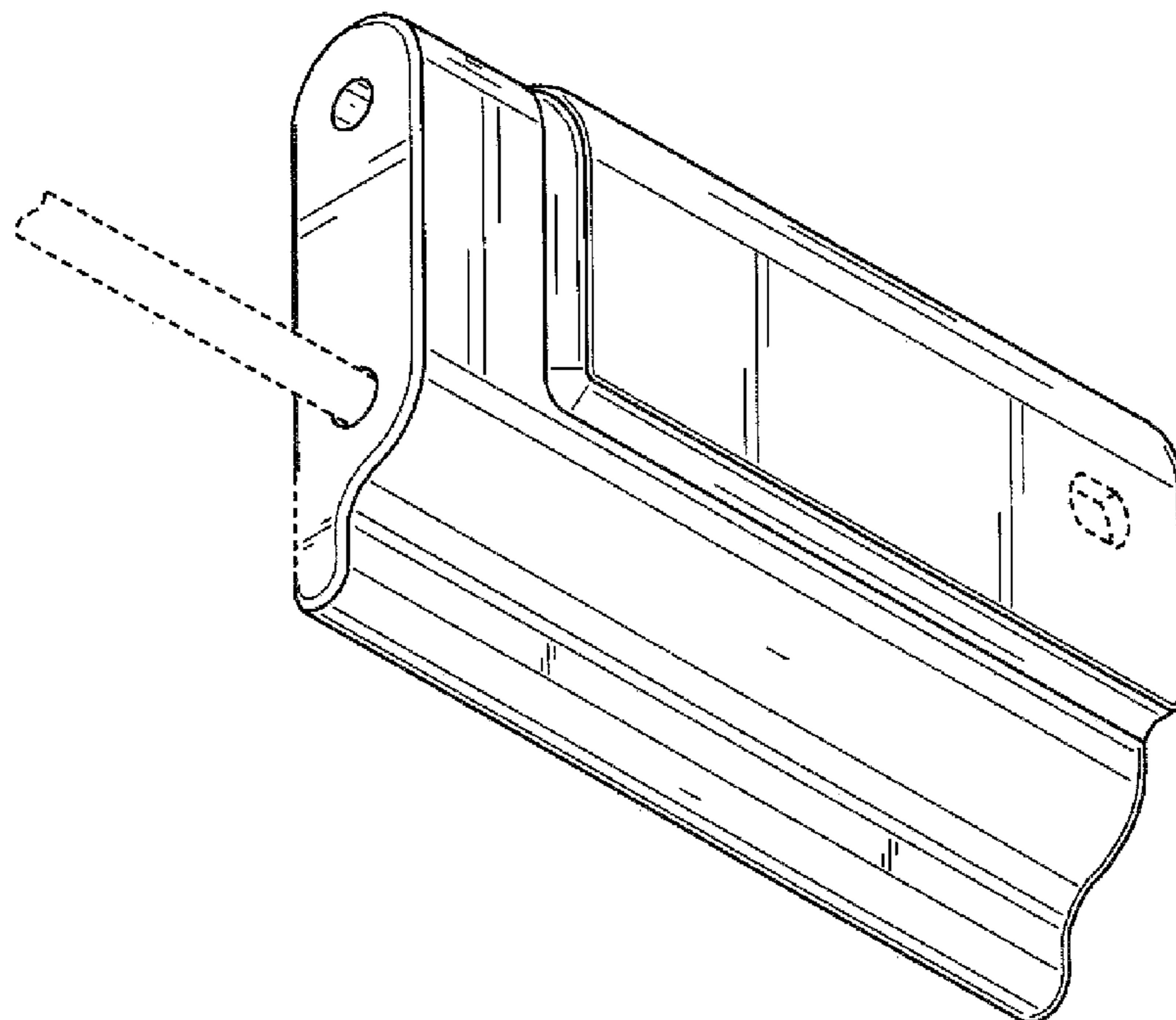
The broken lines in the drawings are for illustrative purposes only and form no part of the claimed design.

(56) **References Cited**

U.S. PATENT DOCUMENTS

3,253,271	A *	5/1966	Trupiano et al.	340/570
4,296,615	A *	10/1981	Zoor	70/19
D365,340	S *	12/1995	Hill et al.	D14/356
5,656,998	A *	8/1997	Fujiuchi et al.	340/571
D413,250	S *	8/1999	Yang	D8/331
D462,004	S *	8/2002	Jenks	D8/343
6,796,152	B1 *	9/2004	Yu	70/58
D523,324	S *	6/2006	Miller et al.	D8/330
D523,729	S *	6/2006	Gorst	D8/333
2004/0172988	A1 *	9/2004	Gorst	70/57.1

1 Claim, 6 Drawing Sheets



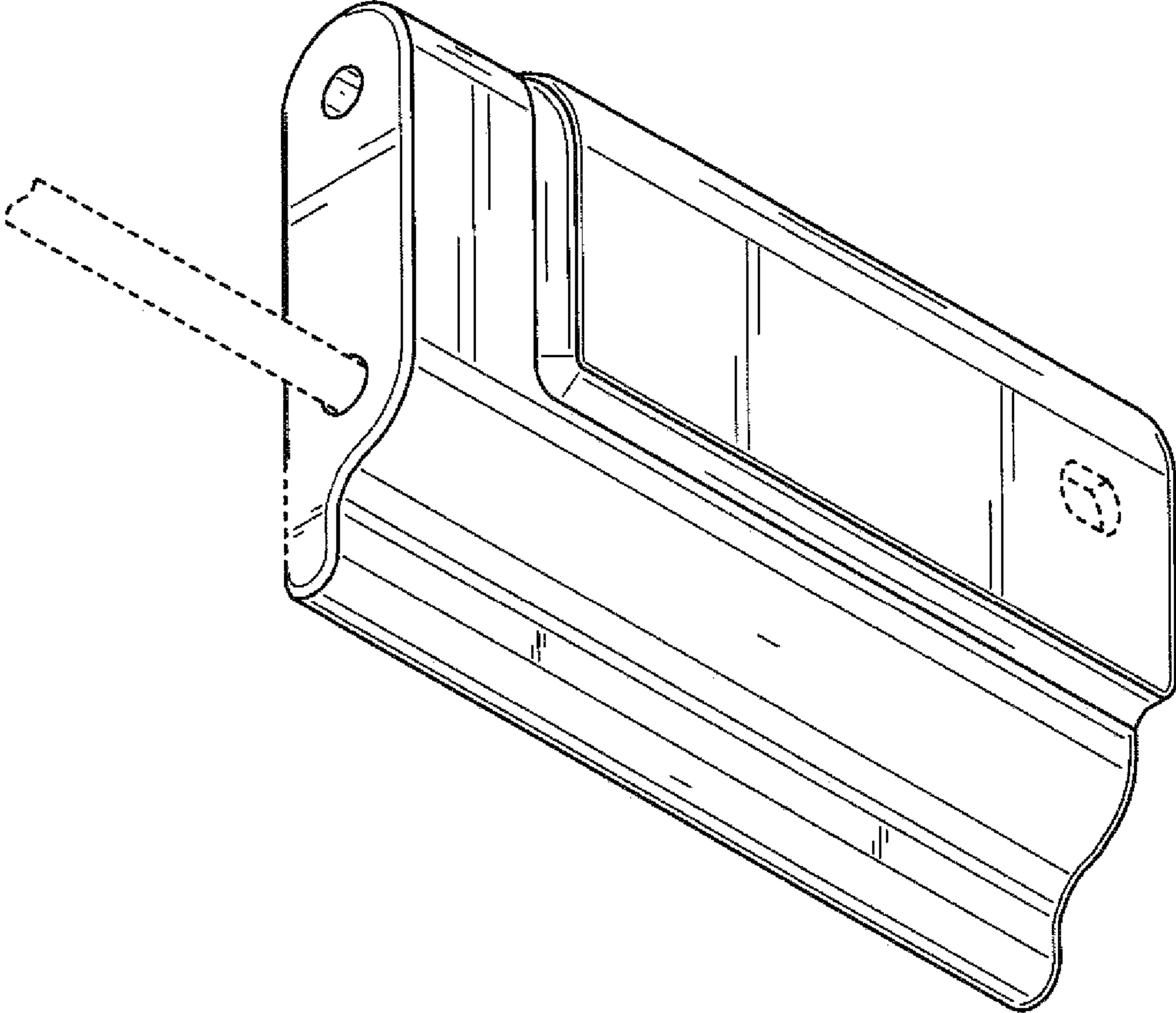


FIG. 1

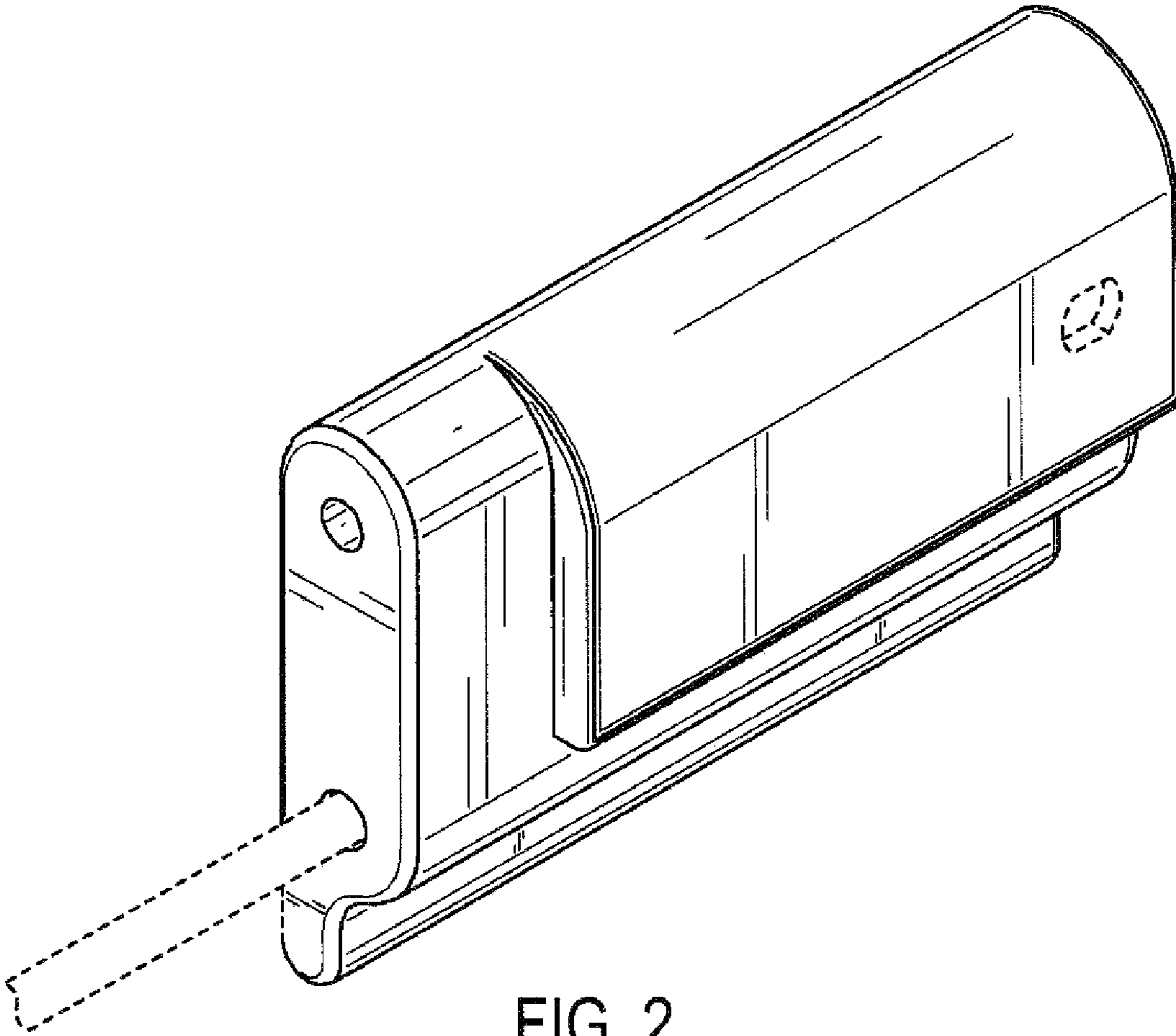


FIG. 2

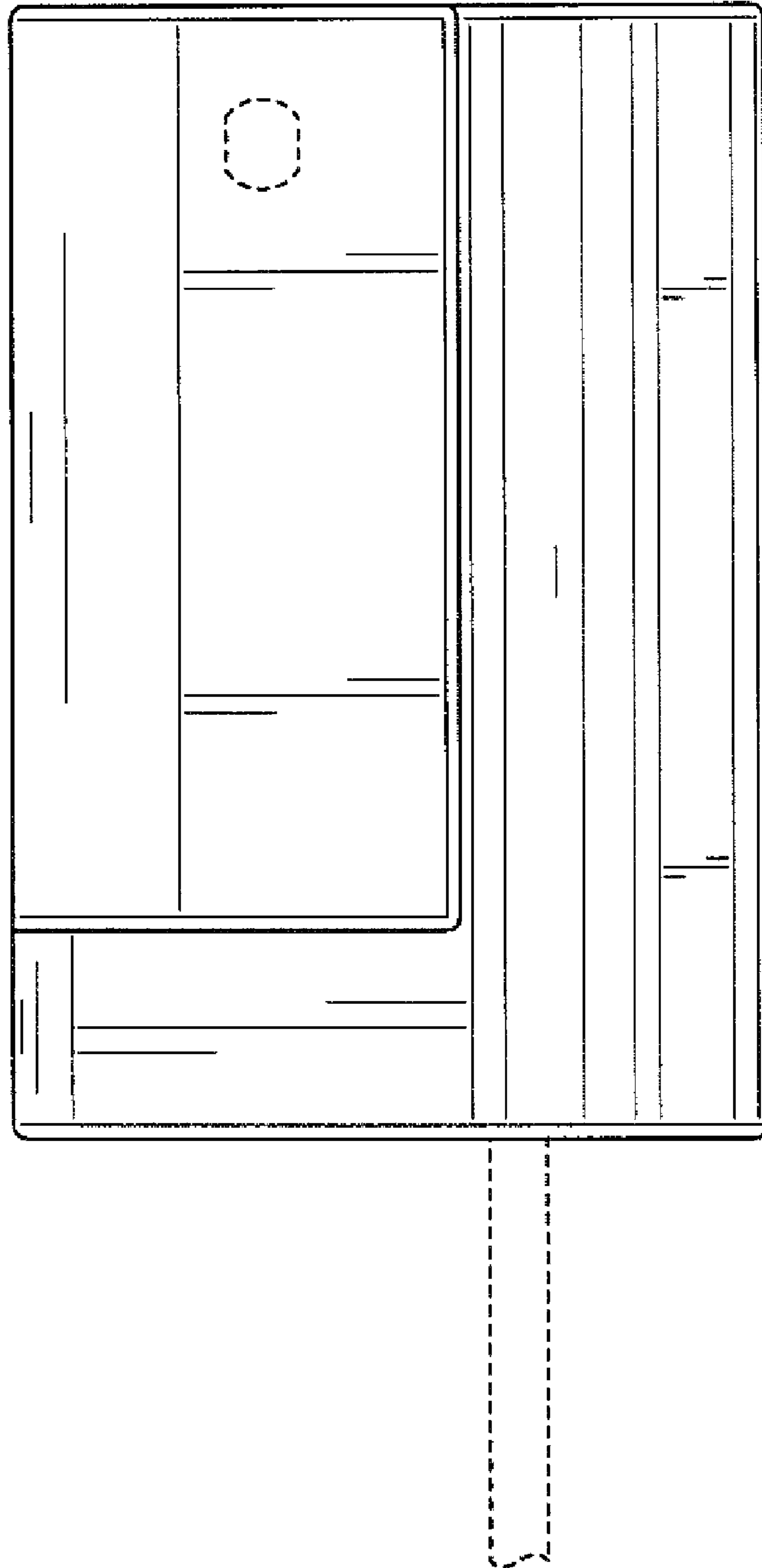


FIG. 3

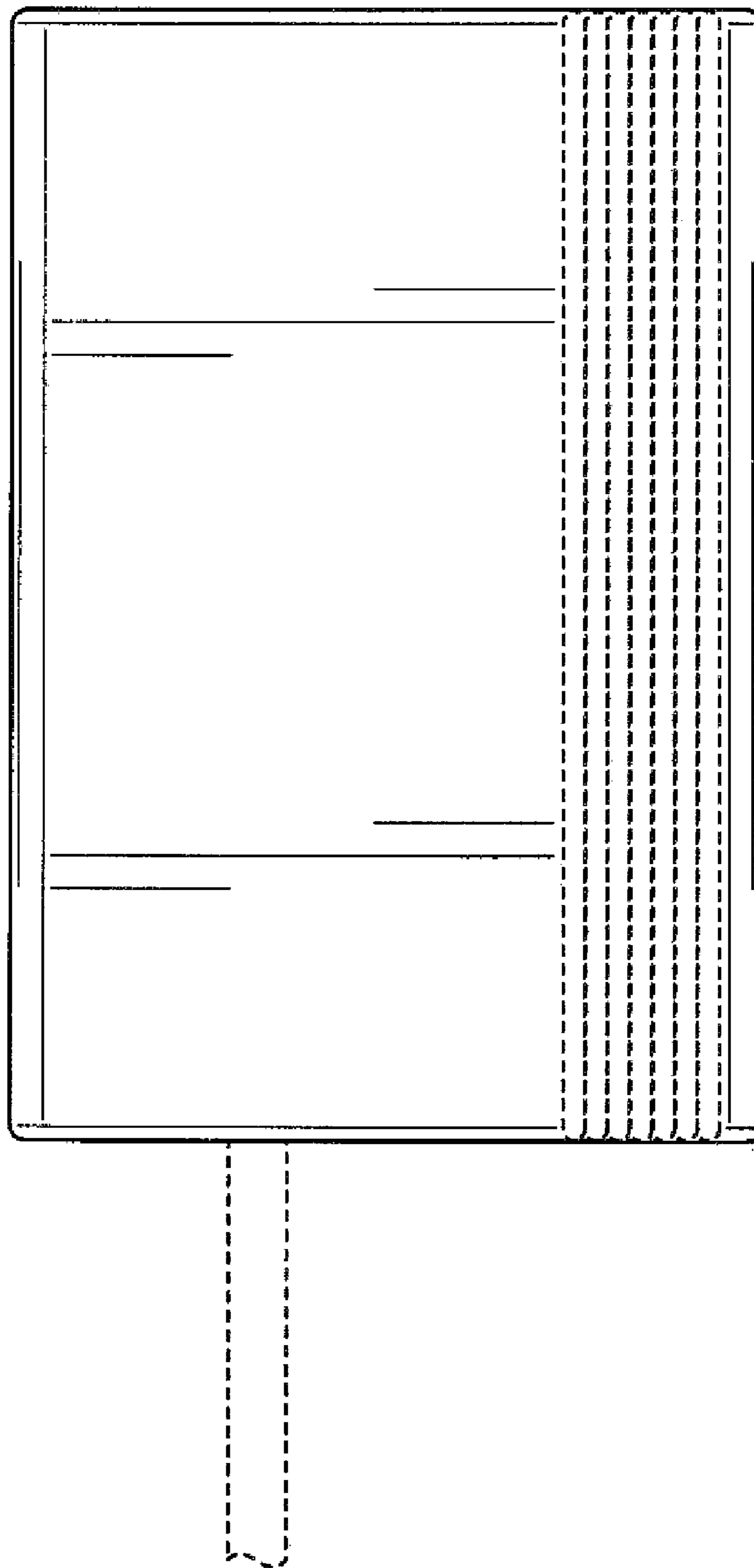


FIG. 4

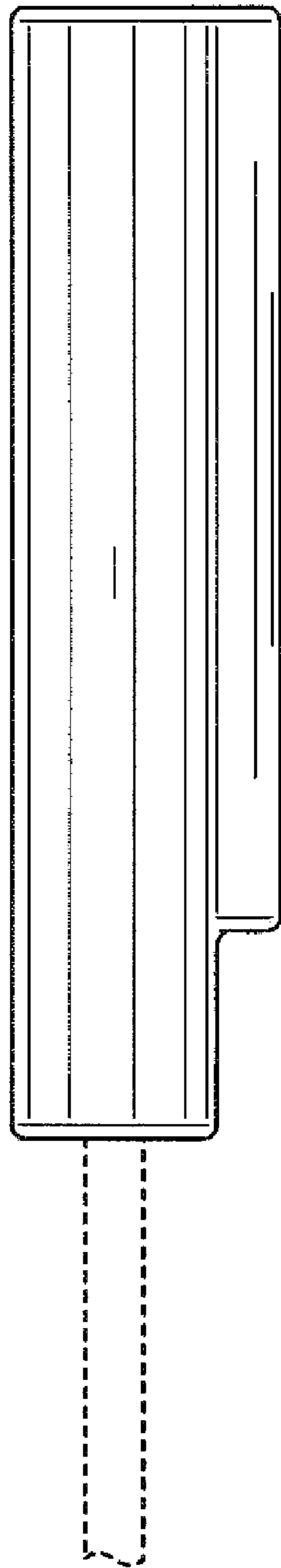


FIG. 5

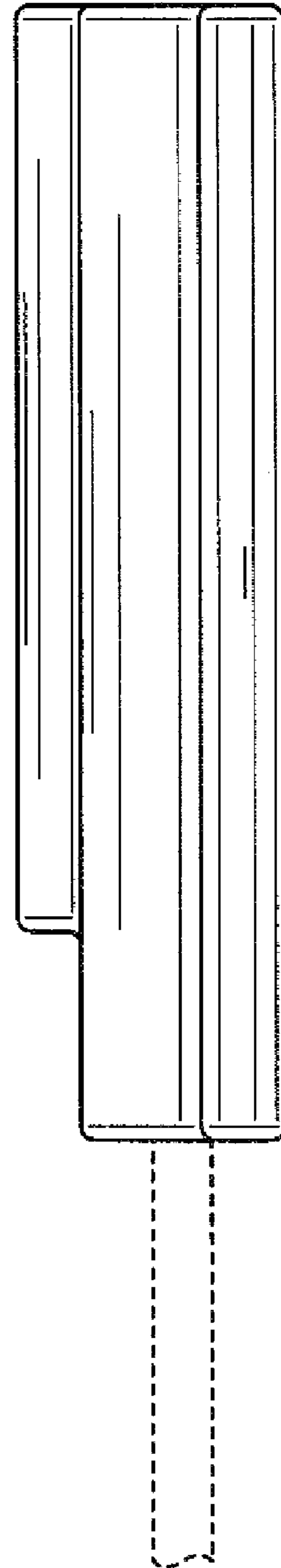


FIG. 6

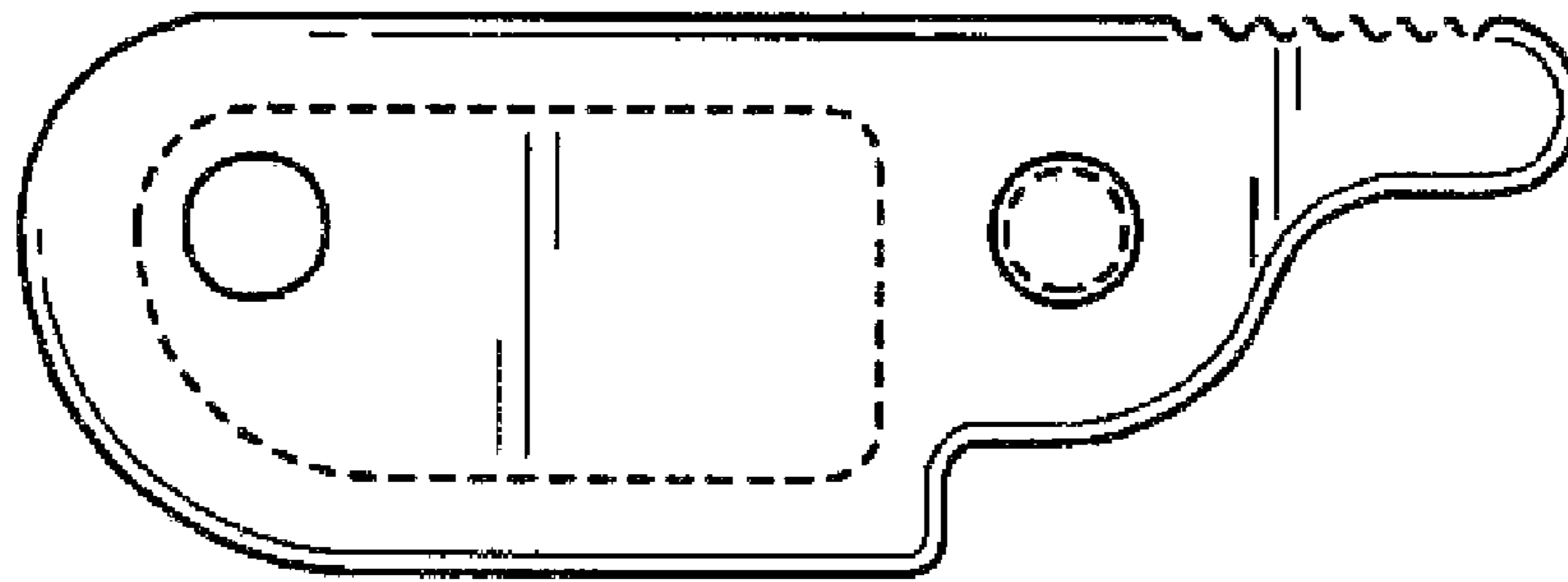


FIG. 7

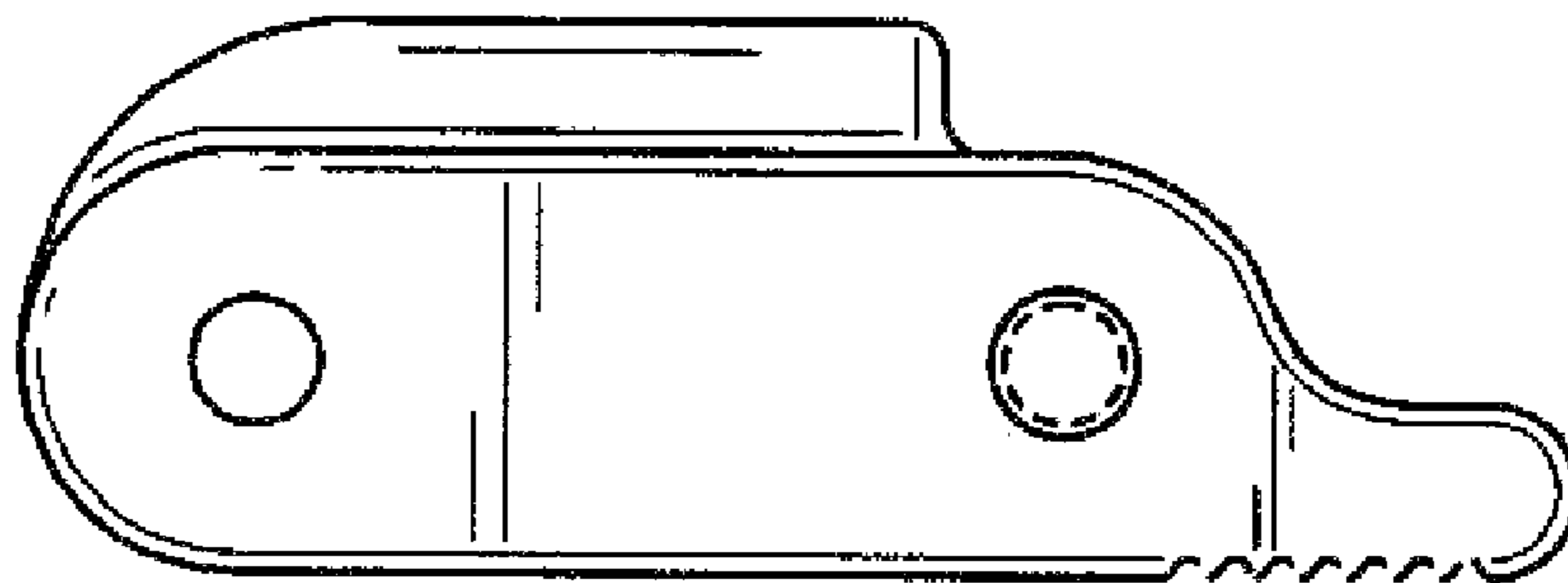


FIG. 8