



US00D609075S

(12) **United States Design Patent**
Remark

(10) **Patent No.:** **US D609,075 S**
(45) **Date of Patent:** **** Feb. 2, 2010**

(54) **COVER FOR AN ENGAGEMENT LOCK OF A CONTAINER**

(75) Inventor: **Preben M. Remark**, Hørsholm (DK)

(73) Assignee: **Minna APS**, Kokkedal (DK)

(**) Term: **14 Years**

(21) Appl. No.: **29/337,590**

(22) Filed: **May 26, 2009**

(30) **Foreign Application Priority Data**

Nov. 26, 2008 (DK) DA 2008 00242

(51) **LOC (9) Cl.** **08-07**

(52) **U.S. Cl.** **D8/330**

(58) **Field of Classification Search** D8/330,
D8/331, 398, 394, 343, 499; 70/57, 57.1,
70/426, 465, 466, 431, 419, 422, DIG. 26;
220/260, 265, 266, 277

See application file for complete search history.

(56) **References Cited**

U.S. PATENT DOCUMENTS

D269,063	S *	5/1983	Gill	D8/343
6,155,087	A *	12/2000	Necchi	70/57.1
D439,826	S *	4/2001	Oddy	D8/336
6,526,786	B1 *	3/2003	Kayoda	70/56
6,796,152	B1 *	9/2004	Yu	70/58

6,865,914	B2 *	3/2005	Irgens et al.	70/231
6,905,024	B1 *	6/2005	Cao et al.	206/461
D526,557	S *	8/2006	Falconer et al.	D8/346
D540,650	S *	4/2007	Durbin	D8/330
7,229,107	B2 *	6/2007	Kuckertz	292/307 R

* cited by examiner

Primary Examiner—Prabhakar Deshmukh

(74) *Attorney, Agent, or Firm*—Klein, O’Neill & Singh, LLP

(57) **CLAIM**

The ornamental design for a cover for an engagement lock of a container, as shown and described.

DESCRIPTION

FIG. 1 is a rear, top and left side perspective view of a cover for an engagement lock of a container showing my new design;

FIG. 2 is a rear elevational view thereof;

FIG. 3 is a front elevational view thereof;

FIG. 4 is a left side elevational view thereof, the right side elevational view being a mirror image thereof;

FIG. 5 is a top plan view thereof; and,

FIG. 6 is a bottom plan view thereof.

The broken lines showing of an engagement lock is for illustrative purpose only and forms no part of the claimed design.

1 Claim, 2 Drawing Sheets

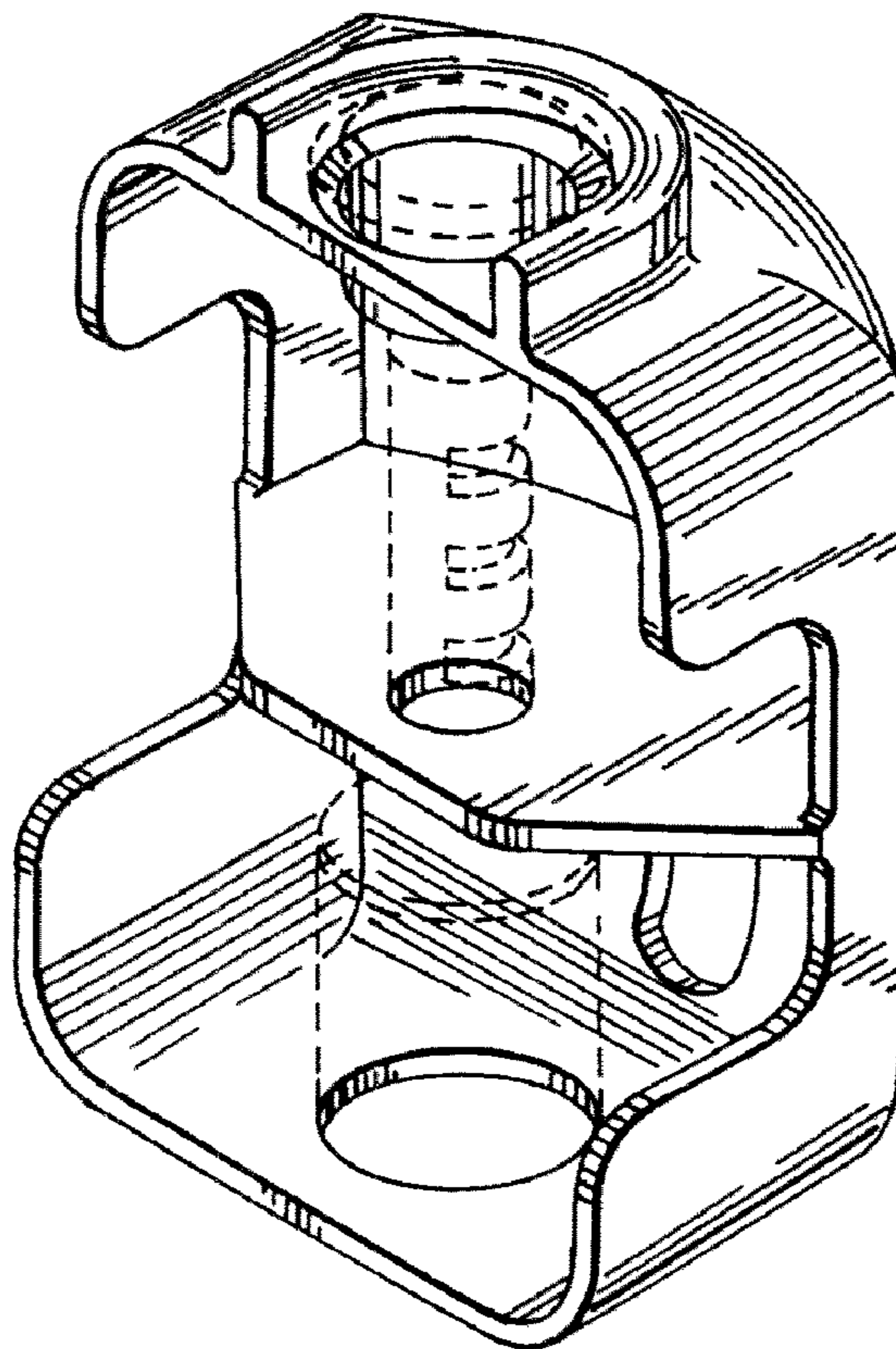


FIG. 1

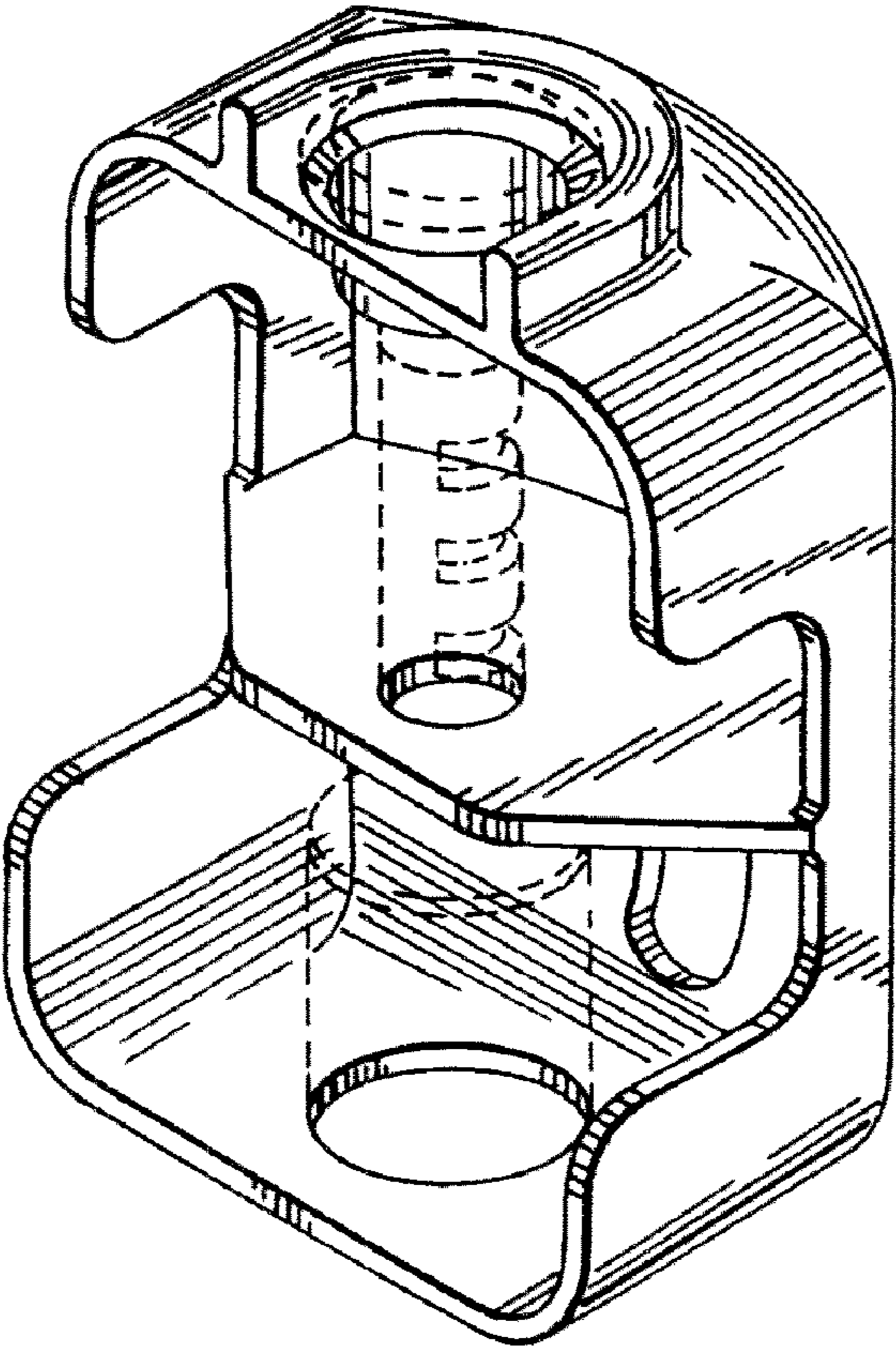


FIG. 2

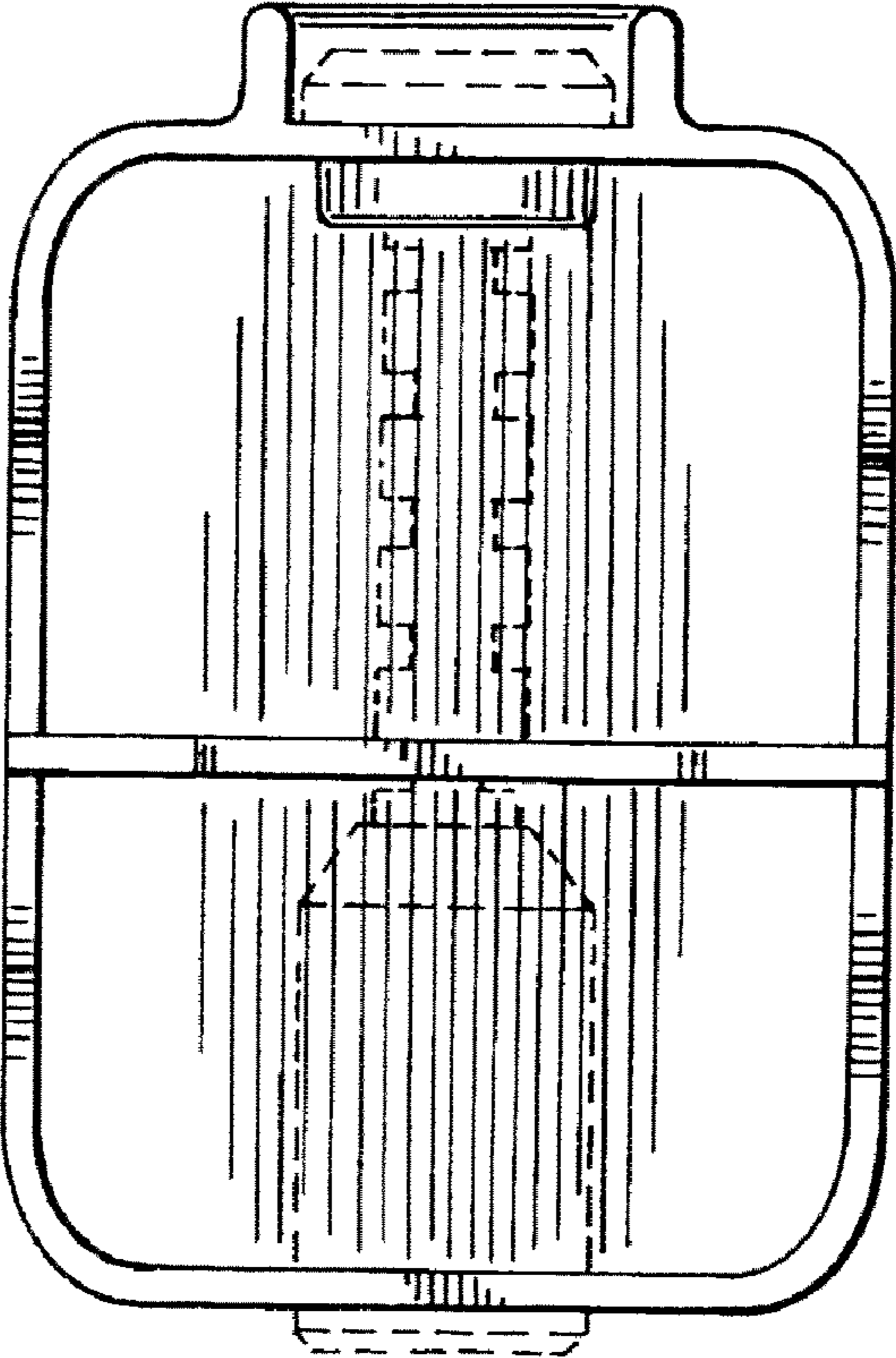


FIG.3

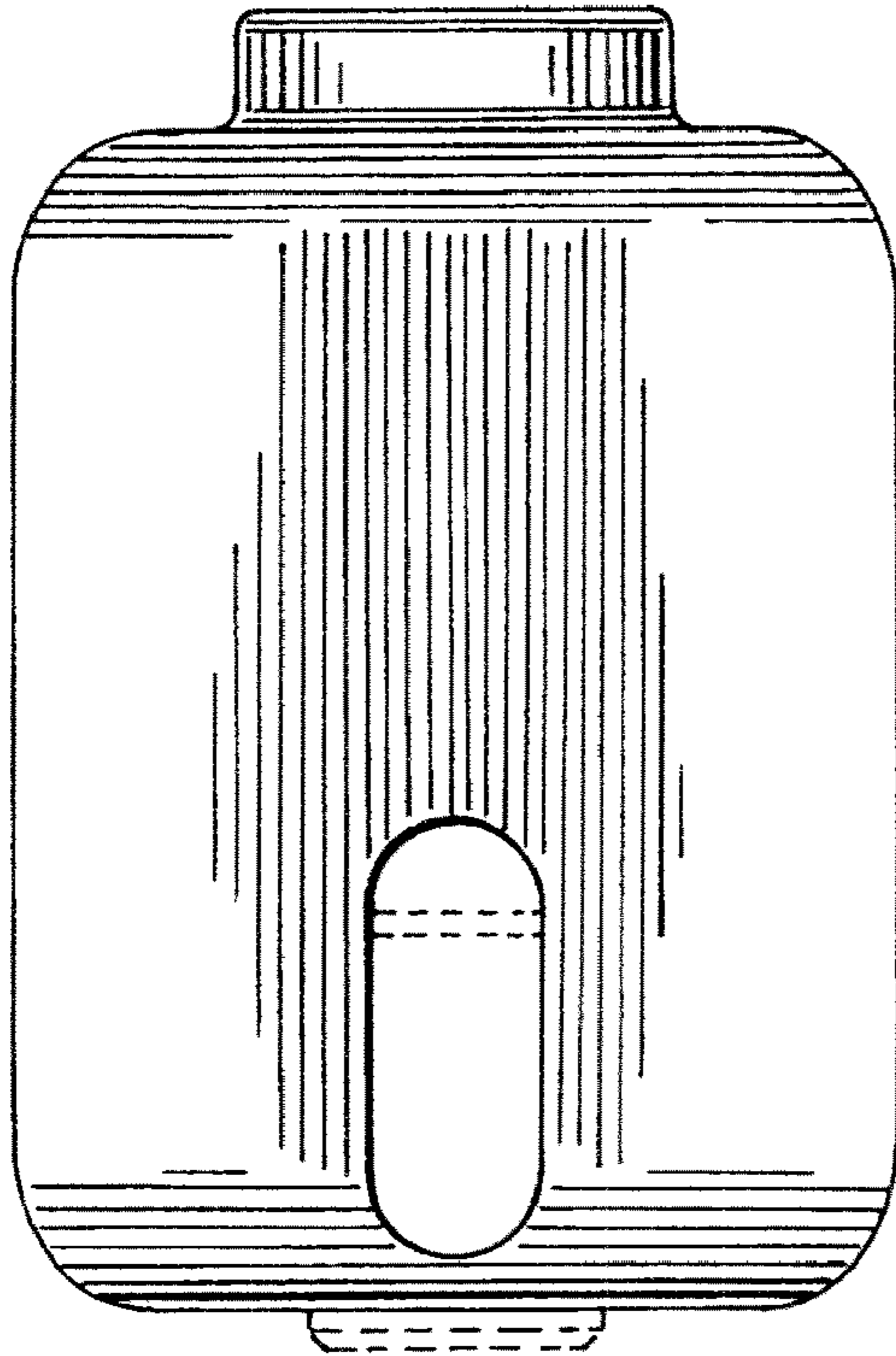


FIG.4

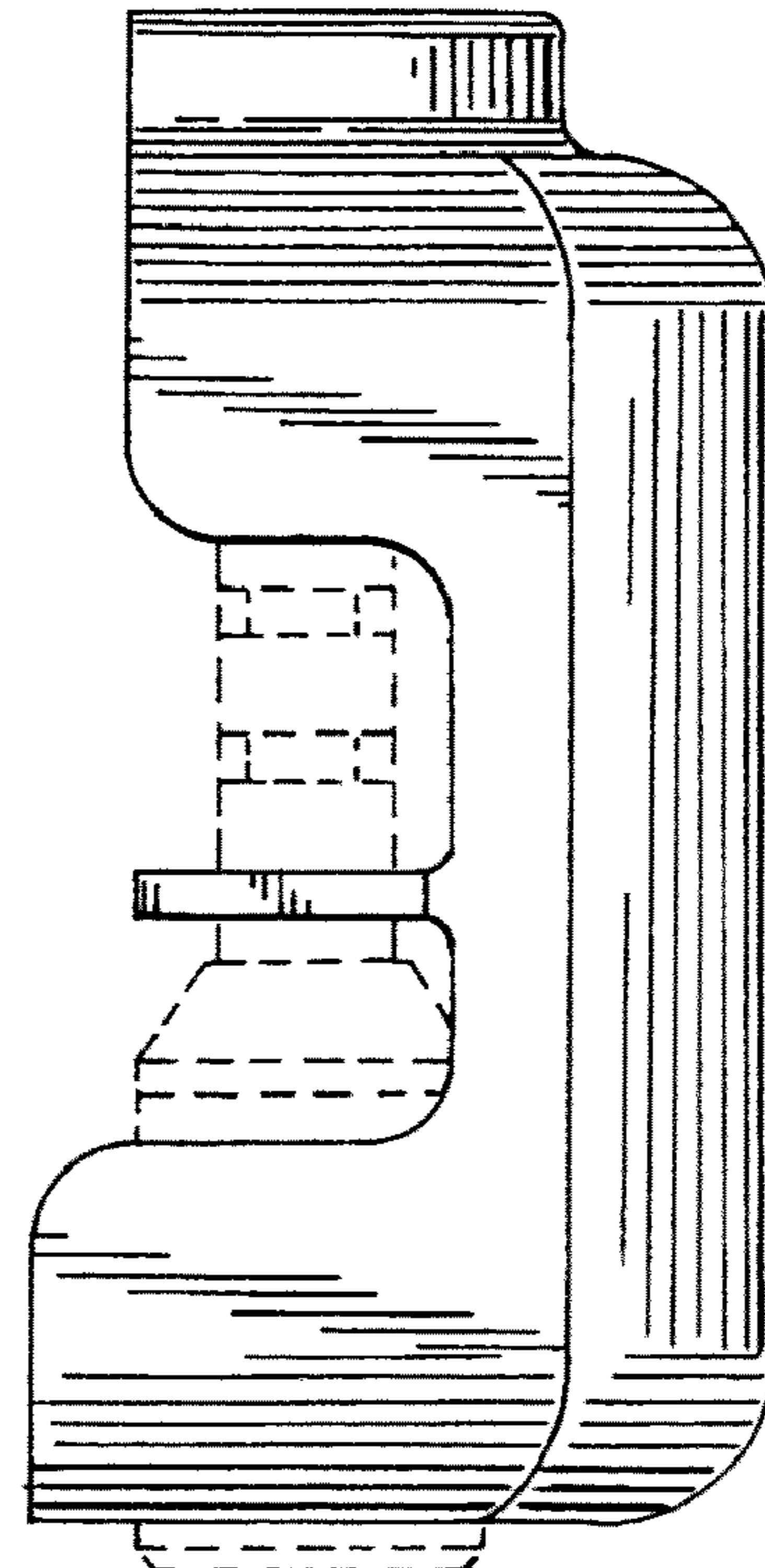


FIG.5

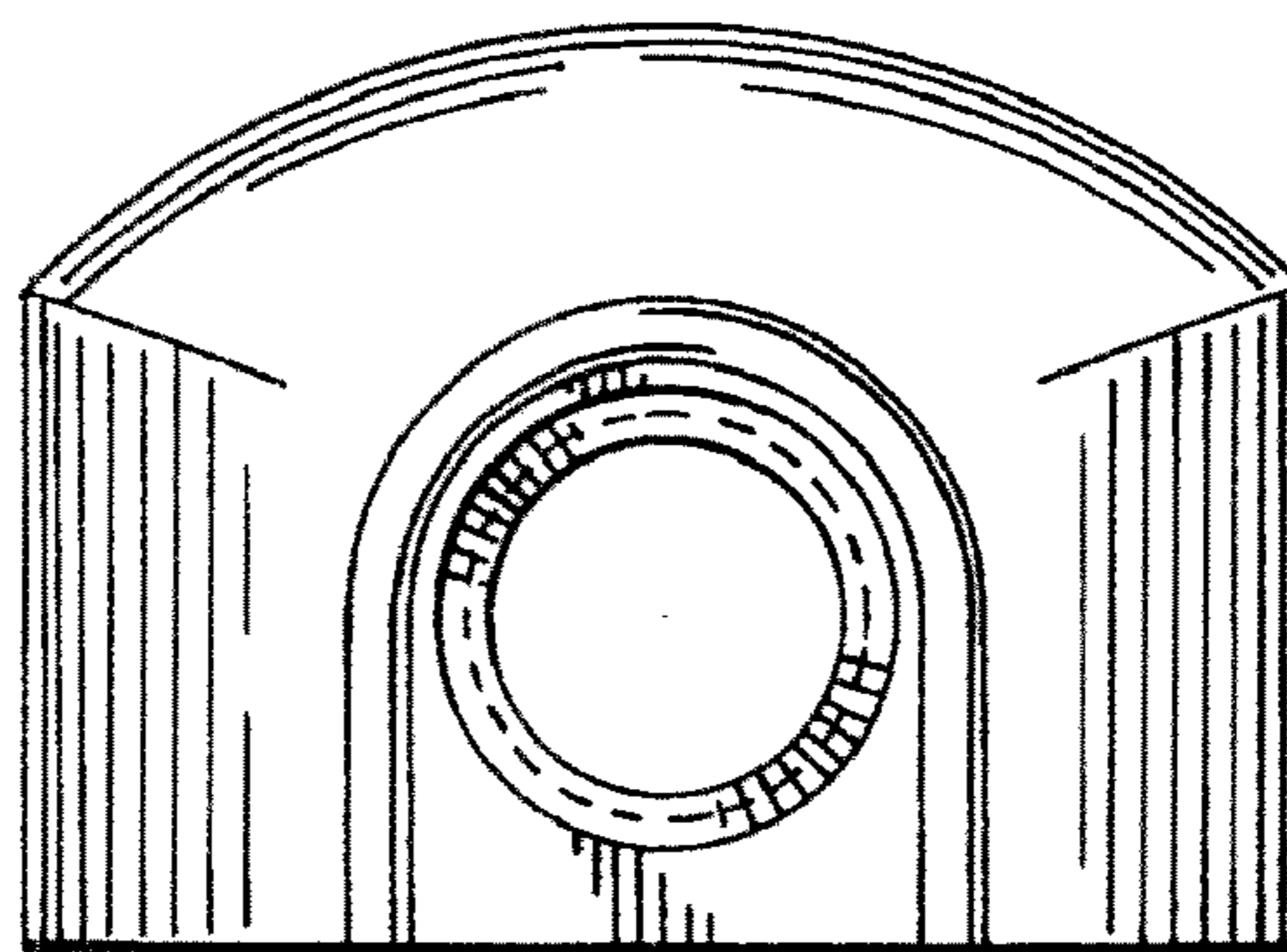


FIG.6

