



US00D609073S

(12) **United States Design Patent**
Lin

(10) **Patent No.:** **US D609,073 S**

(45) **Date of Patent:** **** Feb. 2, 2010**

(54) **CHUCK**

(75) Inventor: **Jack Lin**, Taichung (TW)

(73) Assignee: **Yih Cheng Factory Co., Ltd**, Taichung (TW)

(**) Term: **14 Years**

(21) Appl. No.: **29/331,118**

(22) Filed: **Jan. 20, 2009**

(51) **LOC (9) Cl.** **08-05**

(52) **U.S. Cl.** **D8/70; D15/140**

(58) **Field of Classification Search** D8/61-71;
175/320, 324, 393, 415; 279/145, 60-64,
279/157, 901-902; 299/33; 408/239 R;
81/429

See application file for complete search history.

(56) **References Cited**

U.S. PATENT DOCUMENTS

- D415,180 S * 10/1999 Rosanwo D15/140
- D478,263 S * 8/2003 Welsh D8/70
- D497,300 S * 10/2004 Chen D8/85
- D589,319 S * 3/2009 Peters D8/70
- 2007/0126188 A1 * 6/2007 Puzio et al. 279/60

2009/0107304 A1* 4/2009 Chiang et al. 81/429

* cited by examiner

Primary Examiner—Antoine D Davis

(74) *Attorney, Agent, or Firm*—Banger Shia

(57) **CLAIM**

The ornamental design for a chuck, as shown and described.

DESCRIPTION

FIG. 1 is a perspective view of a chuck, showing my new design;

FIG. 2 is a front elevational view thereof;

FIG. 3 is a rear elevational view thereof;

FIG. 4 is a left side elevational view thereof;

FIG. 5 is a right side elevational view thereof;

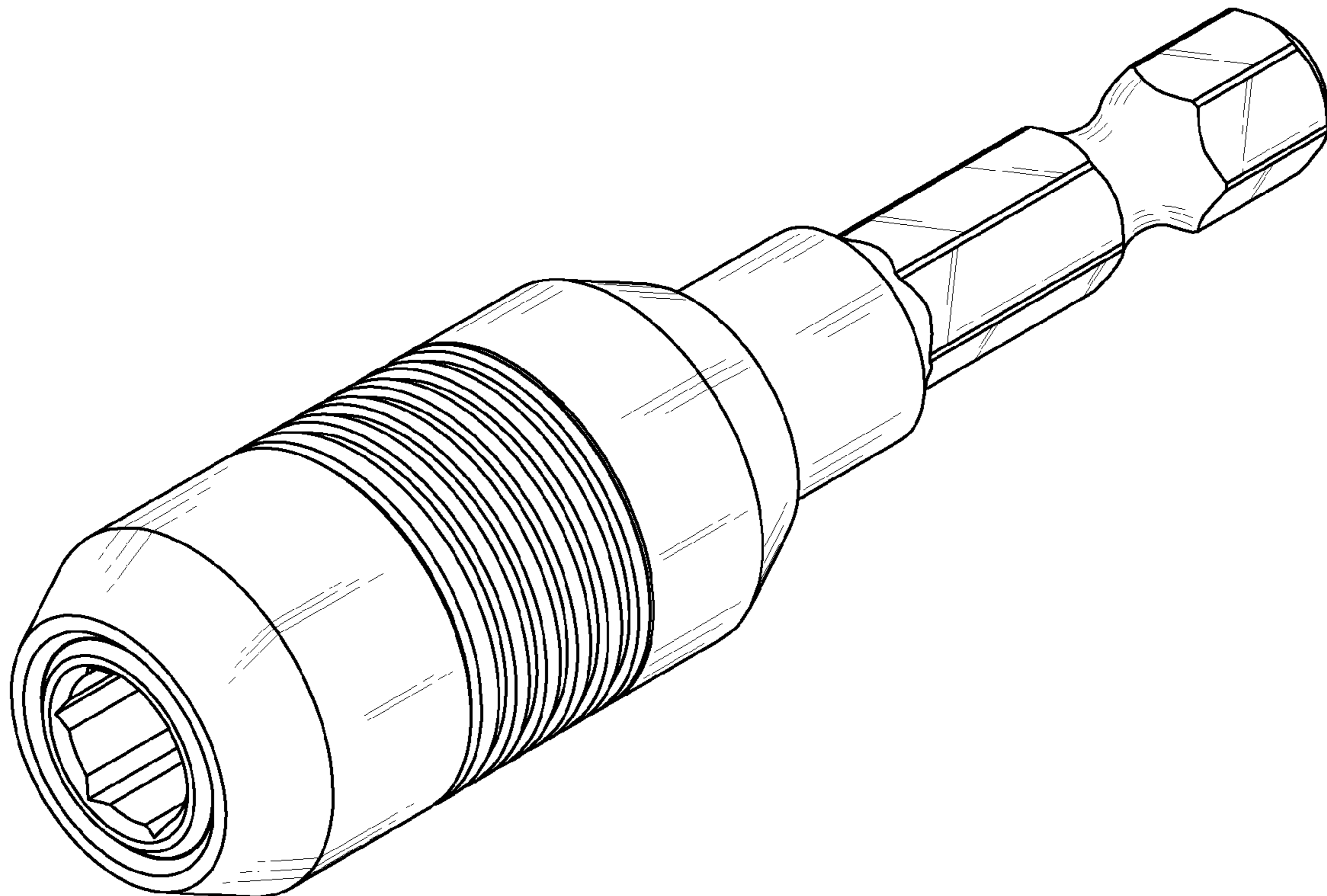
FIG. 6 is a top plan view thereof;

FIG. 7 is a bottom plan view thereof; and,

FIG. 8 is a perspective view showing the claimed design in an open position.

The broken line showing of the handle is included for the purpose of illustrating the claimed design and forms no part of the claimed design.

1 Claim, 8 Drawing Sheets



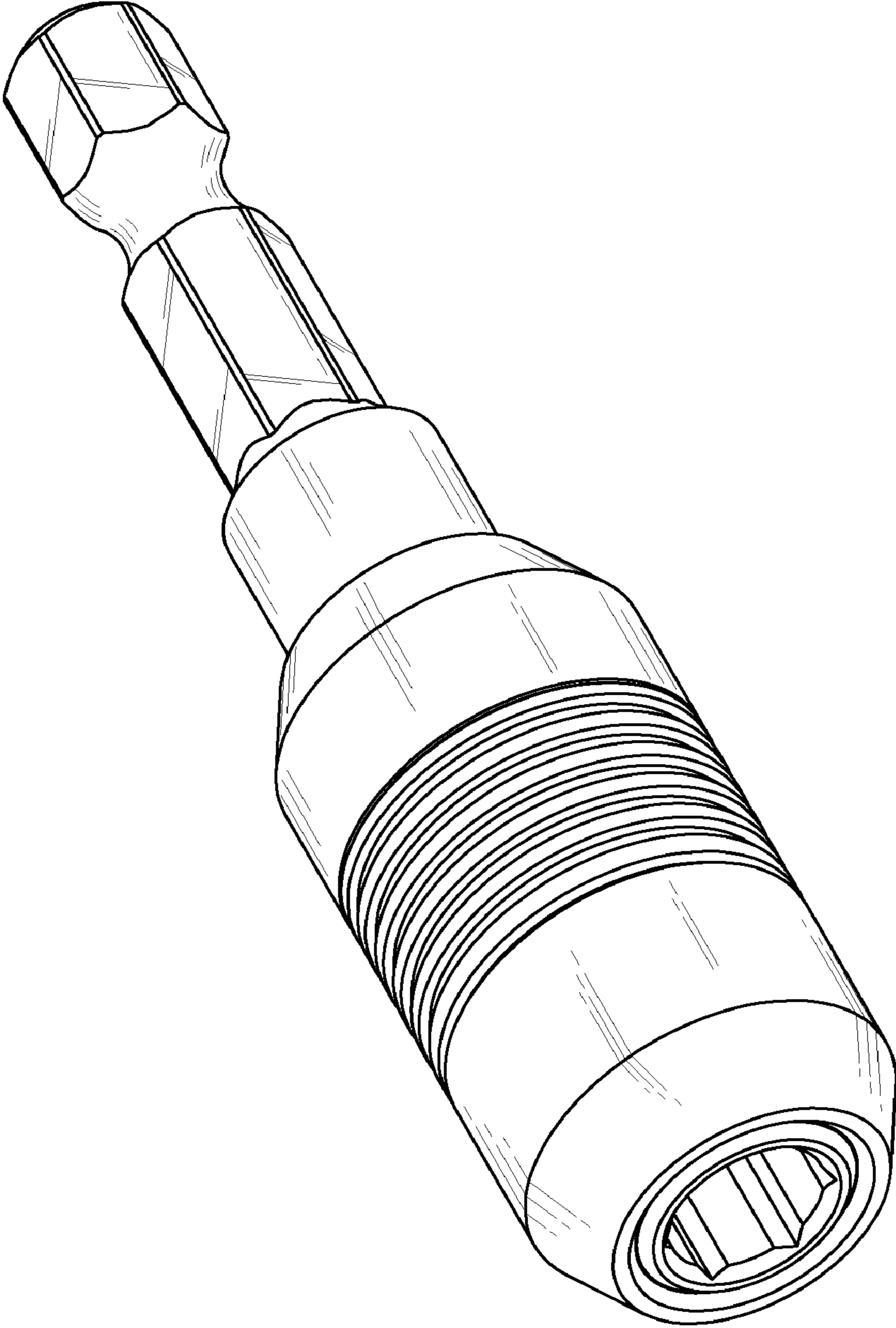


FIG. 1

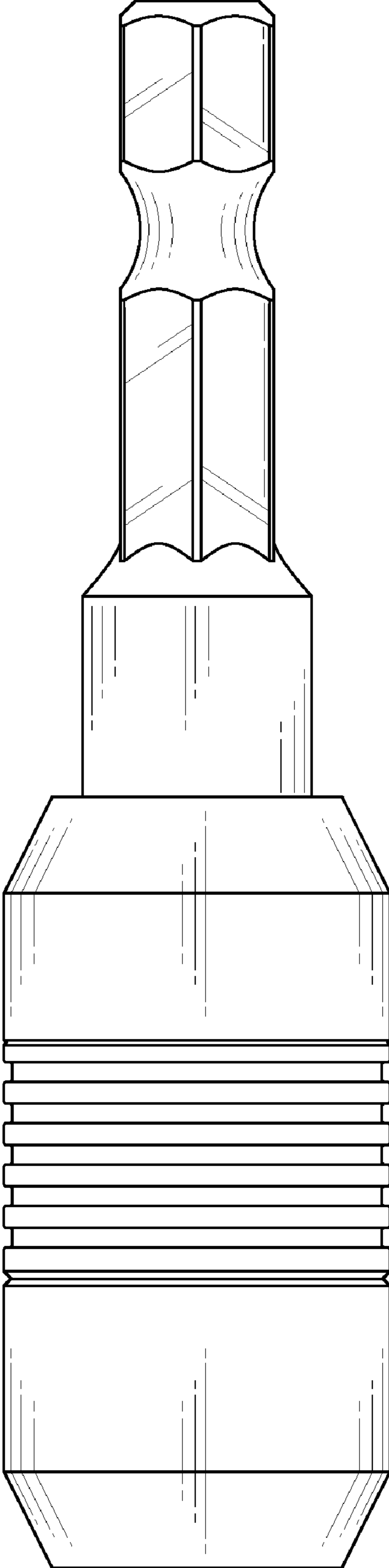


FIG. 2

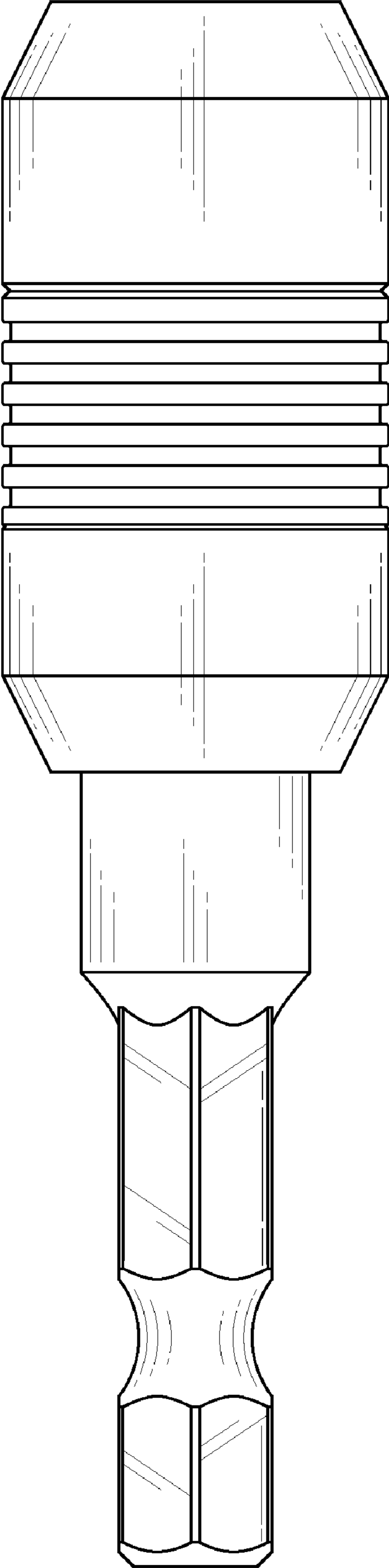


FIG. 3

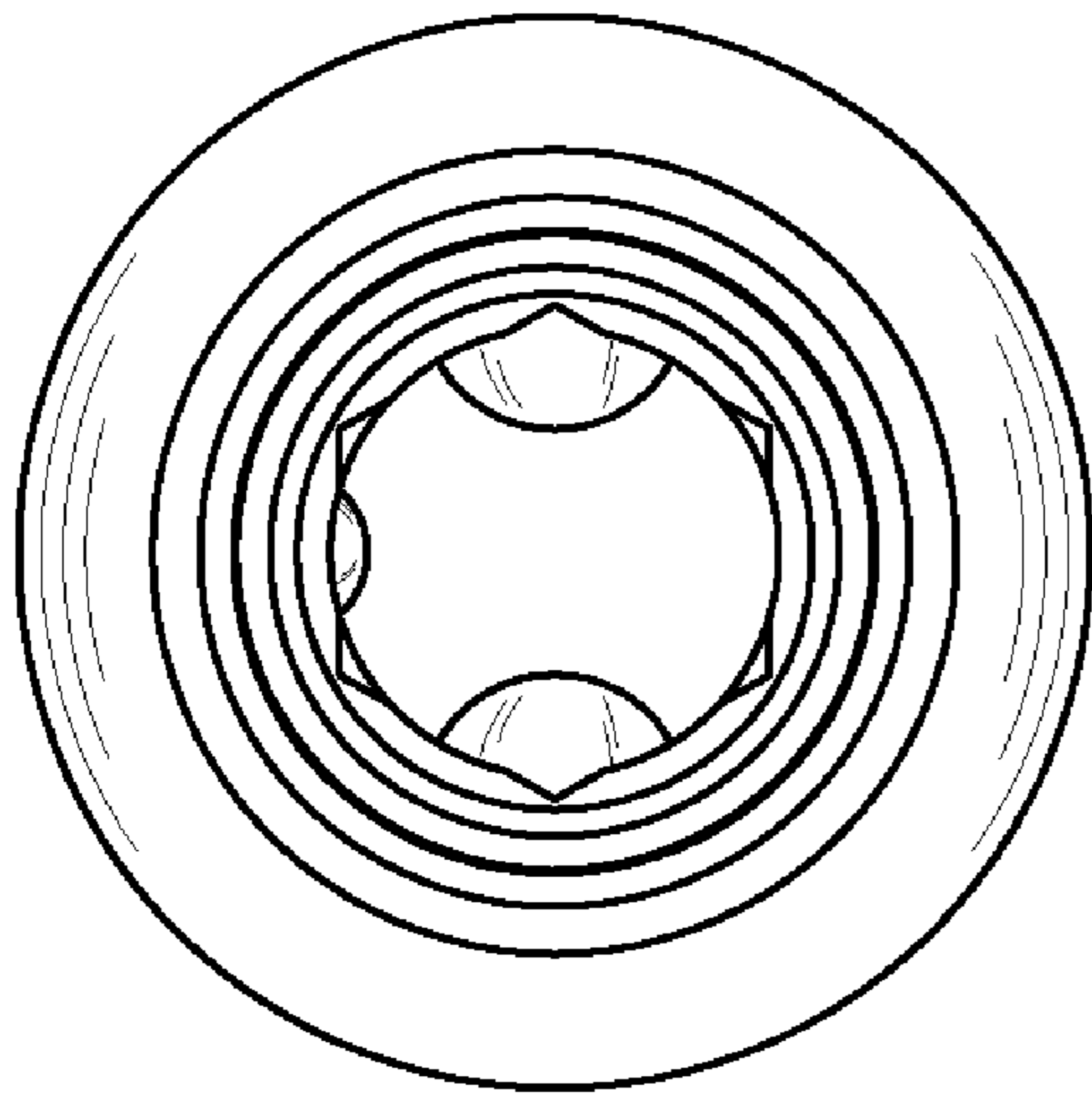


FIG. 4

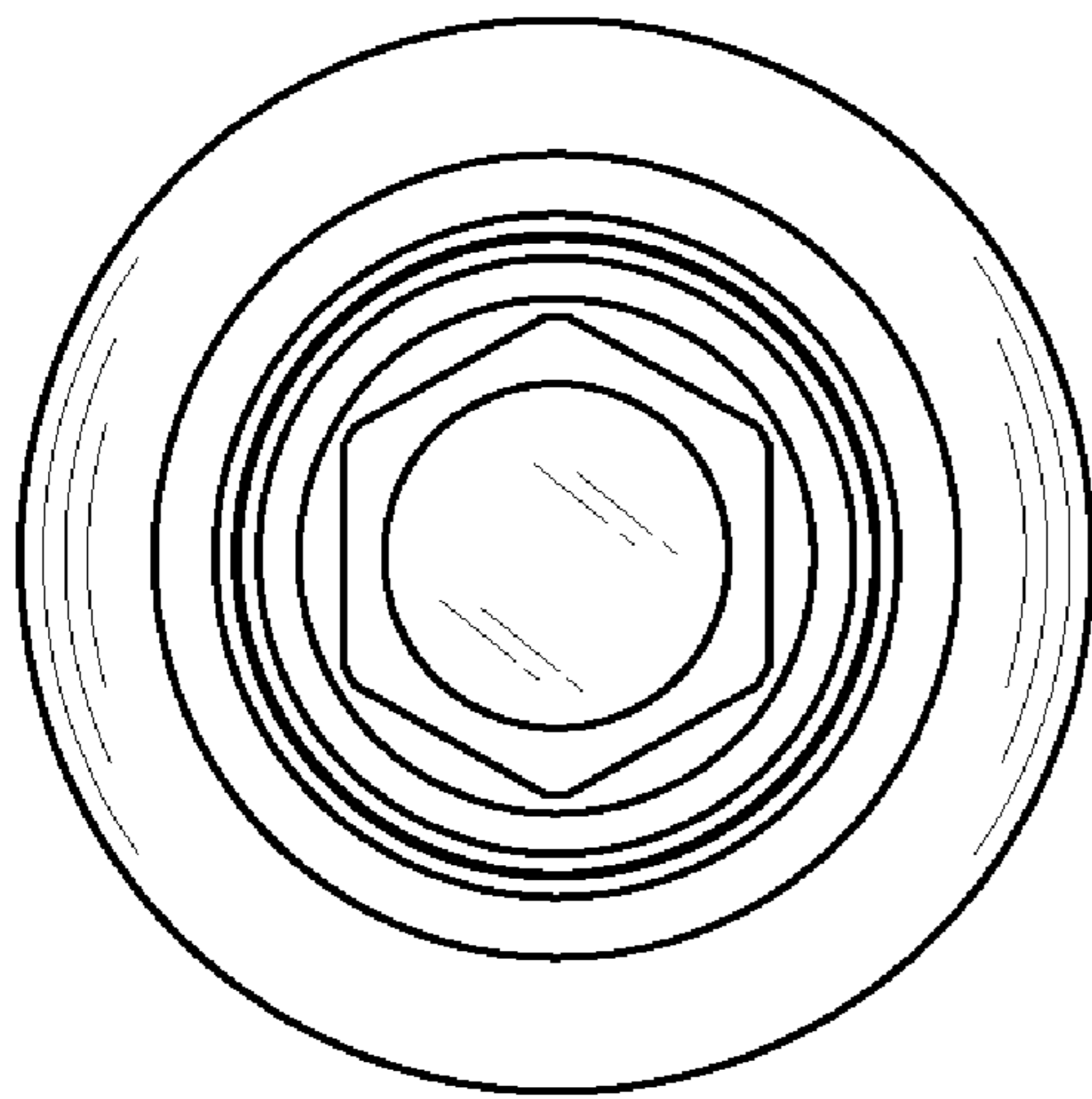


FIG. 5

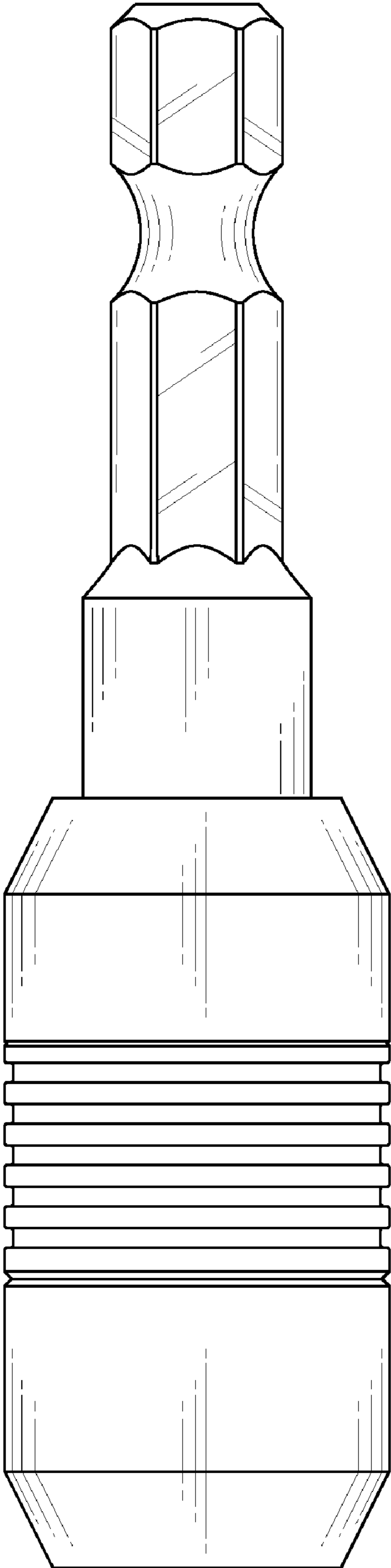


FIG. 6

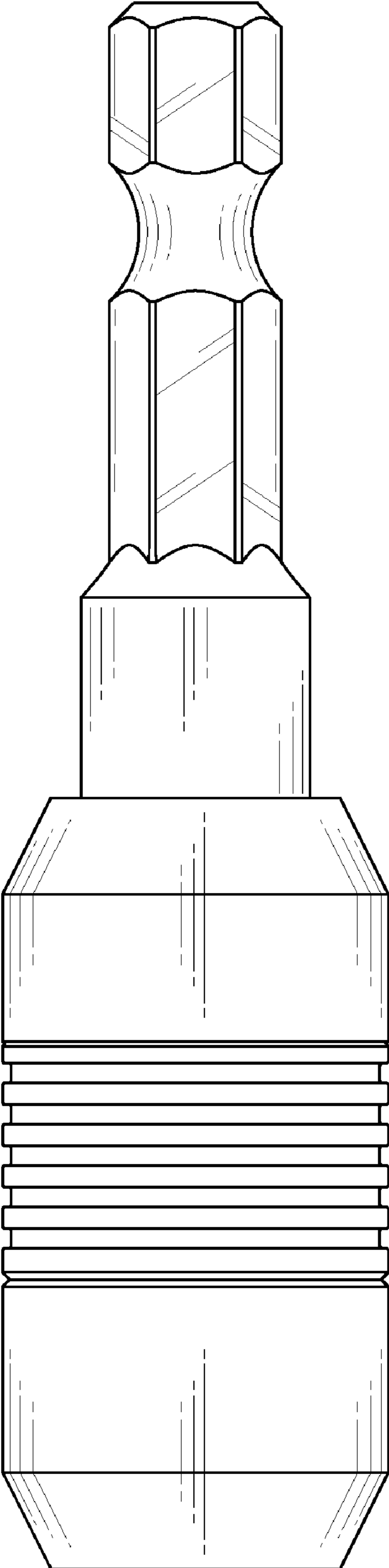


FIG. 7

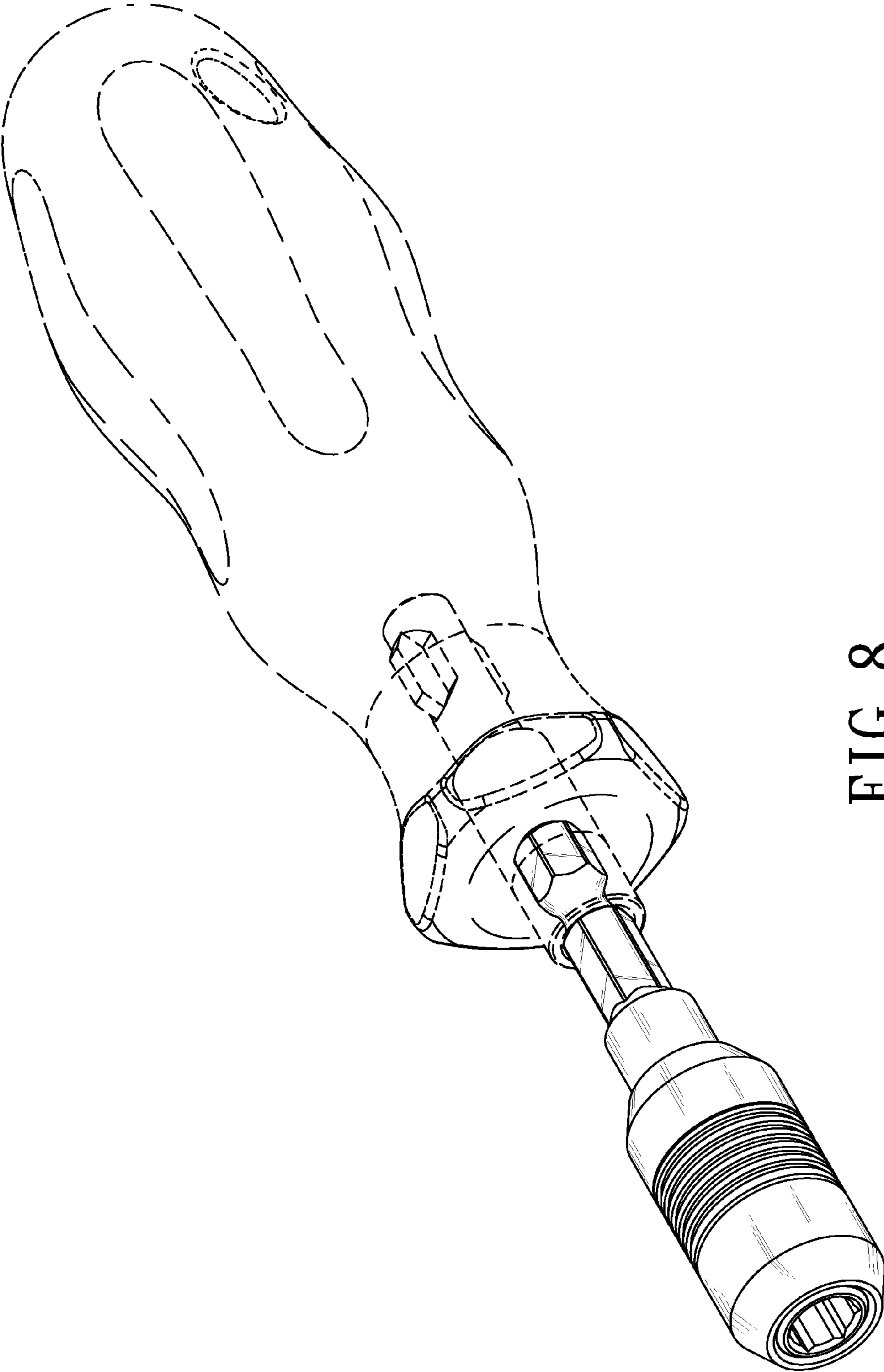


FIG. 8