



US00D609072S

(12) **United States Design Patent**  
**Van Wambeke**

(10) **Patent No.:** **US D609,072 S**  
(45) **Date of Patent:** **\*\* Feb. 2, 2010**

(54) **DRILL**

D593,831 S \* 6/2009 Van Wambeke et al. .... D8/68

(75) Inventor: **Weston J. Van Wambeke**, Towson, MD  
(US)

FOREIGN PATENT DOCUMENTS

(73) Assignee: **Black & Decker Inc.**, Newark, DE (US)

DE	M9604701	4/1997
DE	M9703272	9/1997
DE	M9703311	10/1997
DE	M9804390	1/1999
DE	49911374	5/2000
DE	49912214	5/2000
DE	40003708	9/2000
DE	40105815	11/2001

(\*\*) Term: **14 Years**

(21) Appl. No.: **29/322,758**

(22) Filed: **Aug. 12, 2008**

(Continued)

(51) **LOC (9) Cl.** ..... **08-01**

*Primary Examiner*—Antoine D Davis

(52) **U.S. Cl.** ..... **D8/68**

(74) *Attorney, Agent, or Firm*—Bruce S. Shapiro; John Yun;  
Wesley W. Muller

(58) **Field of Classification Search** ..... D8/14.1,  
D8/61-70; 81/57.11, 429, 454-456, 469,  
81/489; 173/13, 104, 114, 168-171, 178,  
173/201, 211, 213, 217; 408/20, 124, 125,  
408/234, 241 R; 451/358; 310/50; 227/8,  
227/113, 114, 120, 130, 136, 142

(57) **CLAIM**

See application file for complete search history.

The ornamental design for a drill, as shown and described.

**DESCRIPTION**

(56) **References Cited**

U.S. PATENT DOCUMENTS

D420,877 S	2/2000	Schultz	
D460,674 S	7/2002	Henn	
D467,483 S	12/2002	Henn	
6,796,921 B1 *	9/2004	Buck et al. ....	475/299
D496,843 S	10/2004	Sugawara	
D504,298 S	4/2005	Bian	
D506,914 S	7/2005	Okuda	
D511,080 S	11/2005	Koch et al.	
D514,909 S	2/2006	Bosch	
D515,376 S	2/2006	Wacker et al.	
D515,381 S	2/2006	Ng	
7,066,691 B2 *	6/2006	Doyle et al. ....	408/124
D525,848 S	8/2006	Kokawa	
D527,971 S	9/2006	Kokawa	
7,150,587 B2 *	12/2006	Dils et al. ....	408/16
D536,591 S	2/2007	Ghode et al.	
D539,110 S	3/2007	Okuda	
D551,527 S	9/2007	Aglassinger	
D565,374 S	4/2008	Zhang	
D587,544 S *	3/2009	Lopano ....	D8/68

FIG. 1 is a left/front perspective view of a drill.

FIG. 2 is a front view thereof.

FIG. 3 is a rear view thereof.

FIG. 4 is a right side view thereof.

FIG. 5 is a left side view thereof.

FIG. 6 is a top view thereof.

FIG. 7 is a bottom view thereof.

FIG. 8 is a left/front perspective view of a drill.

FIG. 9 is a front view thereof.

FIG. 10 is a rear view thereof.

FIG. 11 is a right side view thereof.

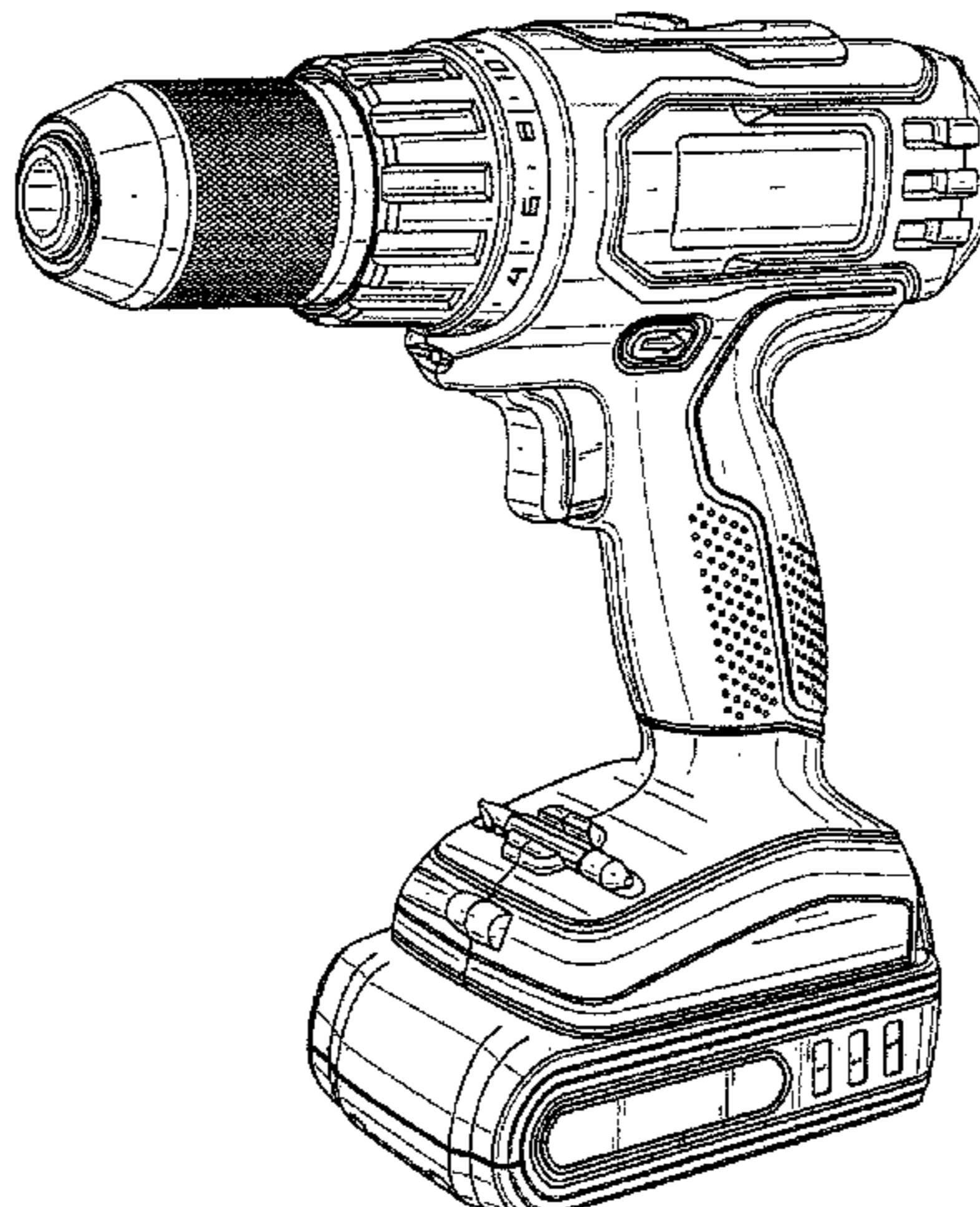
FIG. 12 is a left side view thereof.

FIG. 13 is a top view thereof; and,

FIG. 14 is a bottom view thereof.

The broken lines are for illustrative purposes only and form no part of the claimed design.

**1 Claim, 10 Drawing Sheets**



# US D609,072 S

Page 2

---

FOREIGN PATENT DOCUMENTS					
DE	40205451	11/2002	DE	000255815-0002	2/2005
DE	40303557	10/2003	DE	000255815-0003	2/2005
DE	000192109-0002	8/2004	DE	40703857	10/2007
DE	000192109-0003	8/2004	FR	000188503	8/2004
DE	000255815-0001	2/2005	IT	000057617	11/2003
			WO	DM069023	12/2007

\* cited by examiner

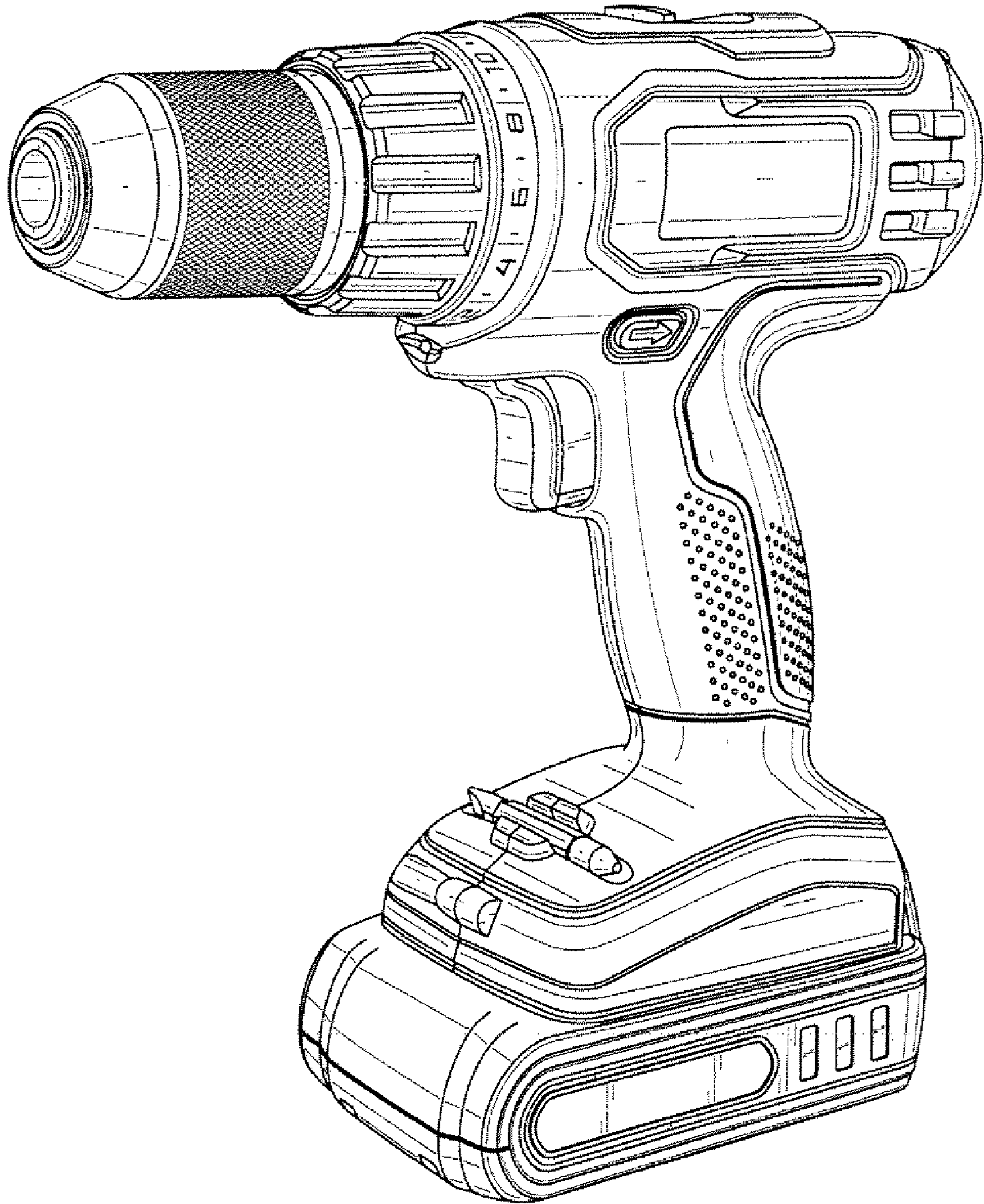


FIG. 1

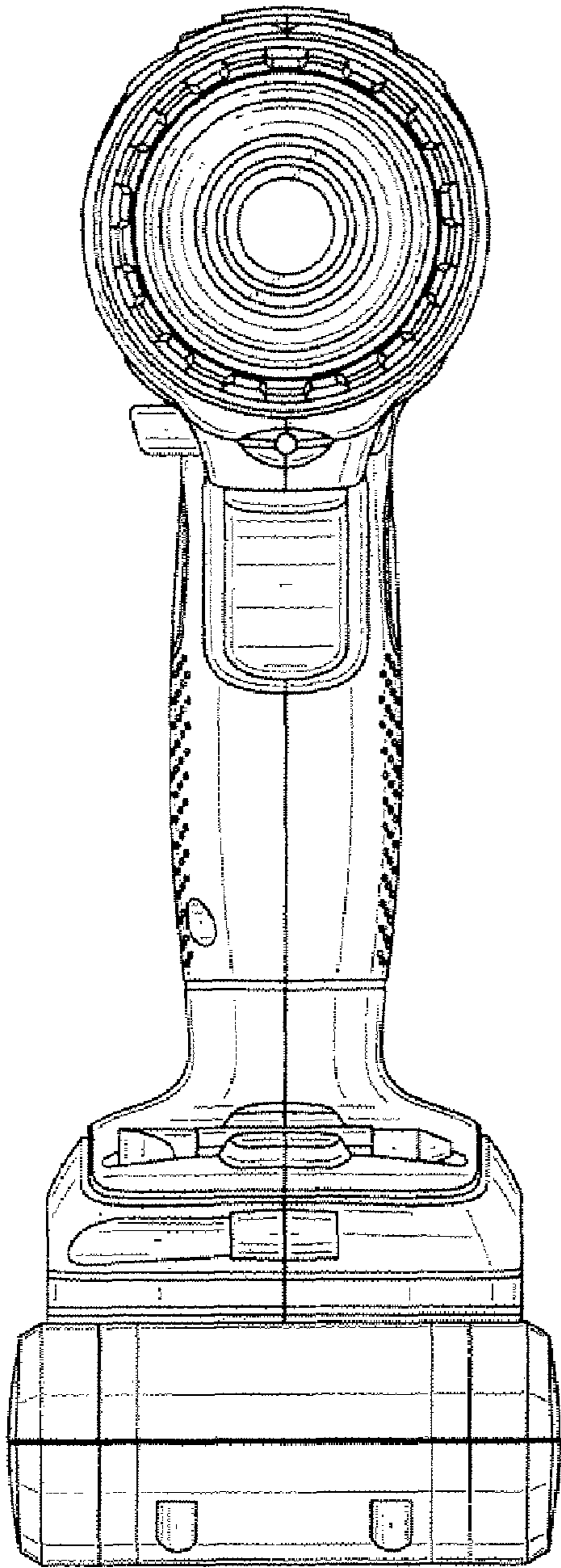


FIG. 2

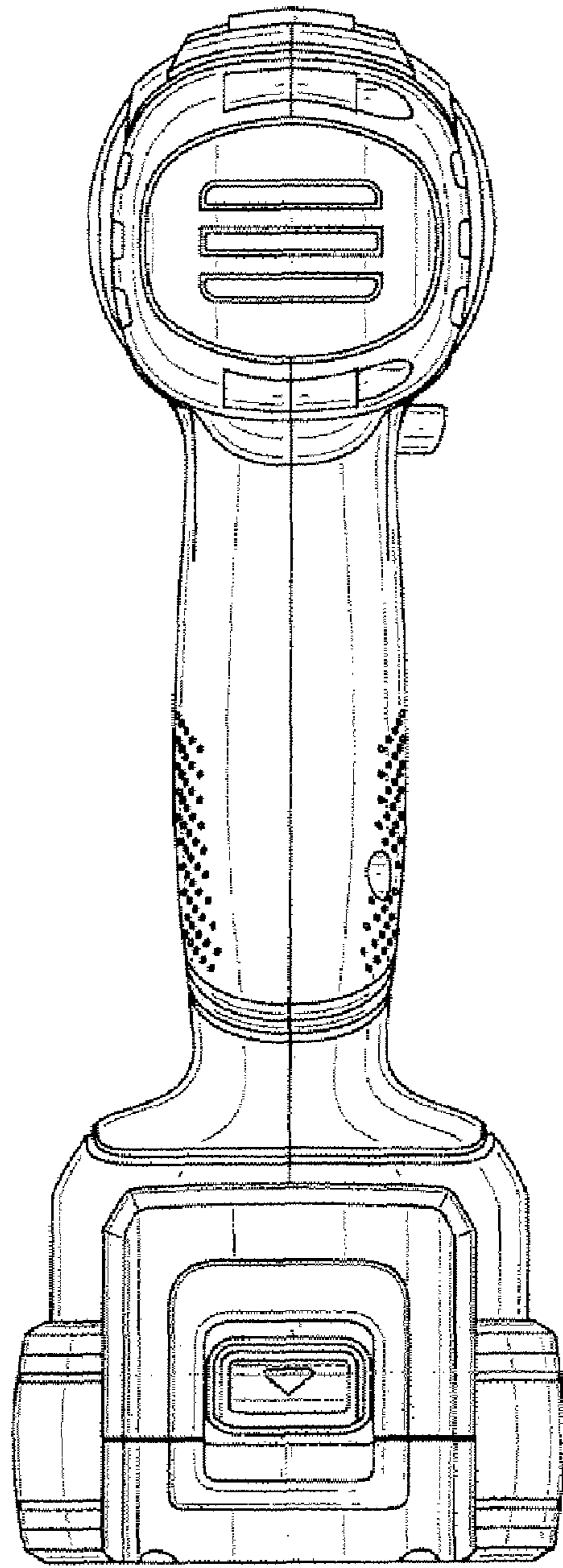


FIG. 3

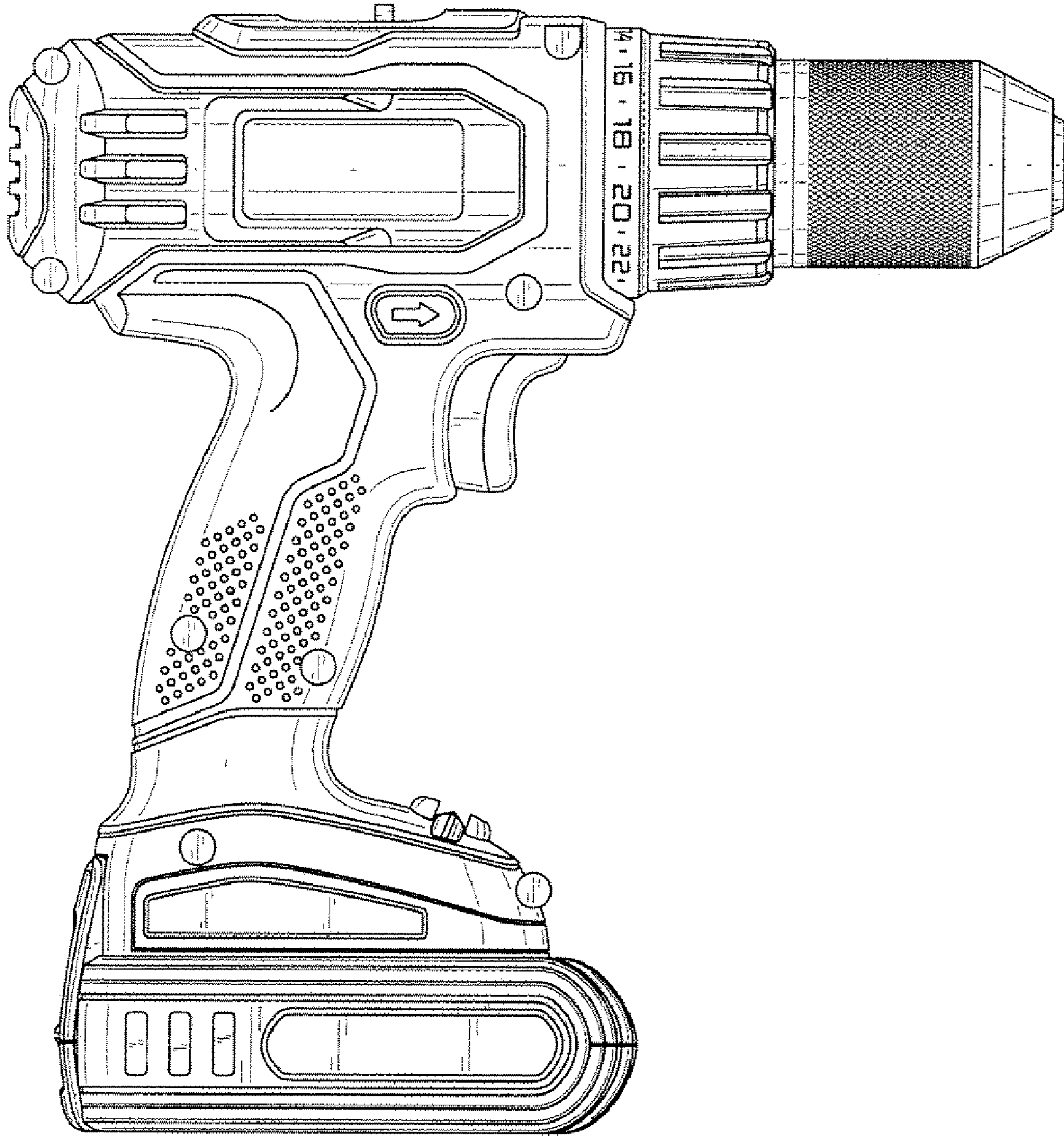


FIG. 4

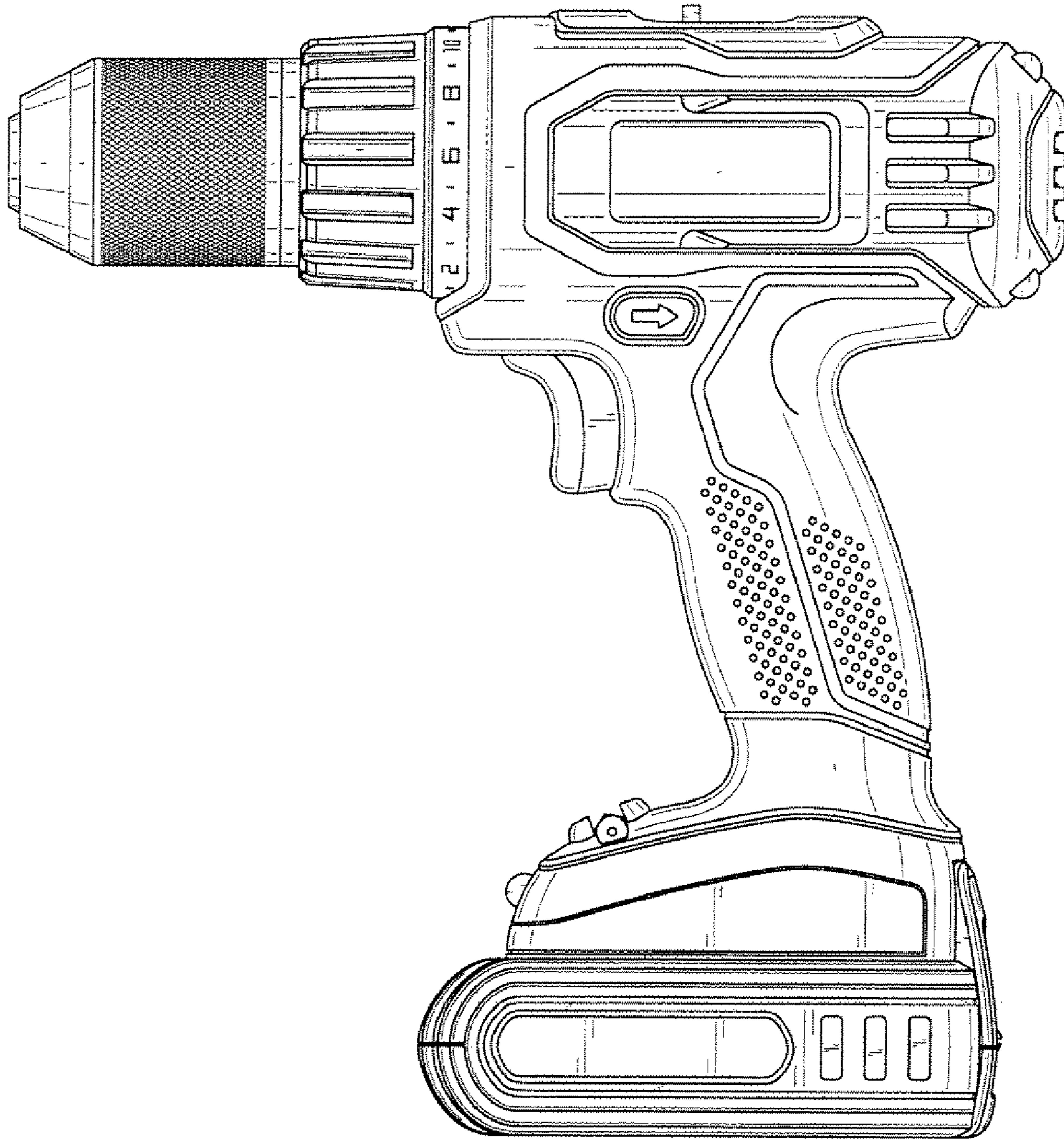


FIG. 5

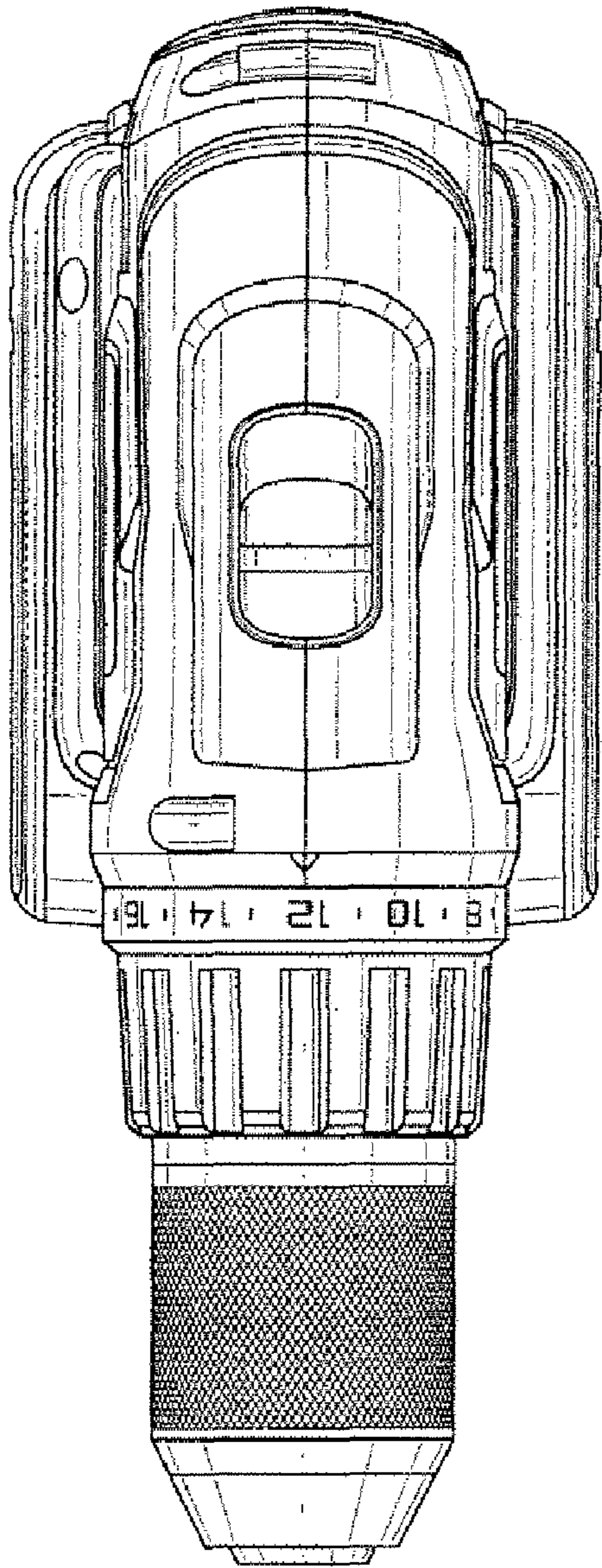


FIG. 6

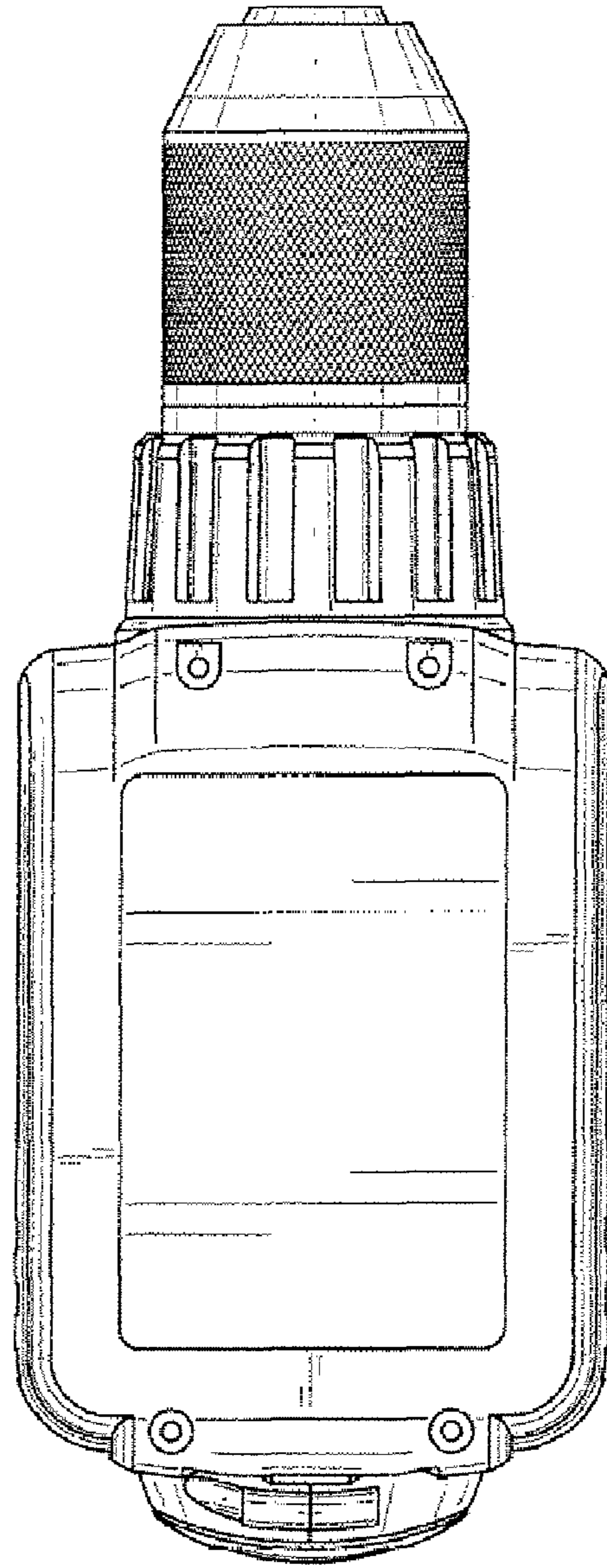


FIG. 7

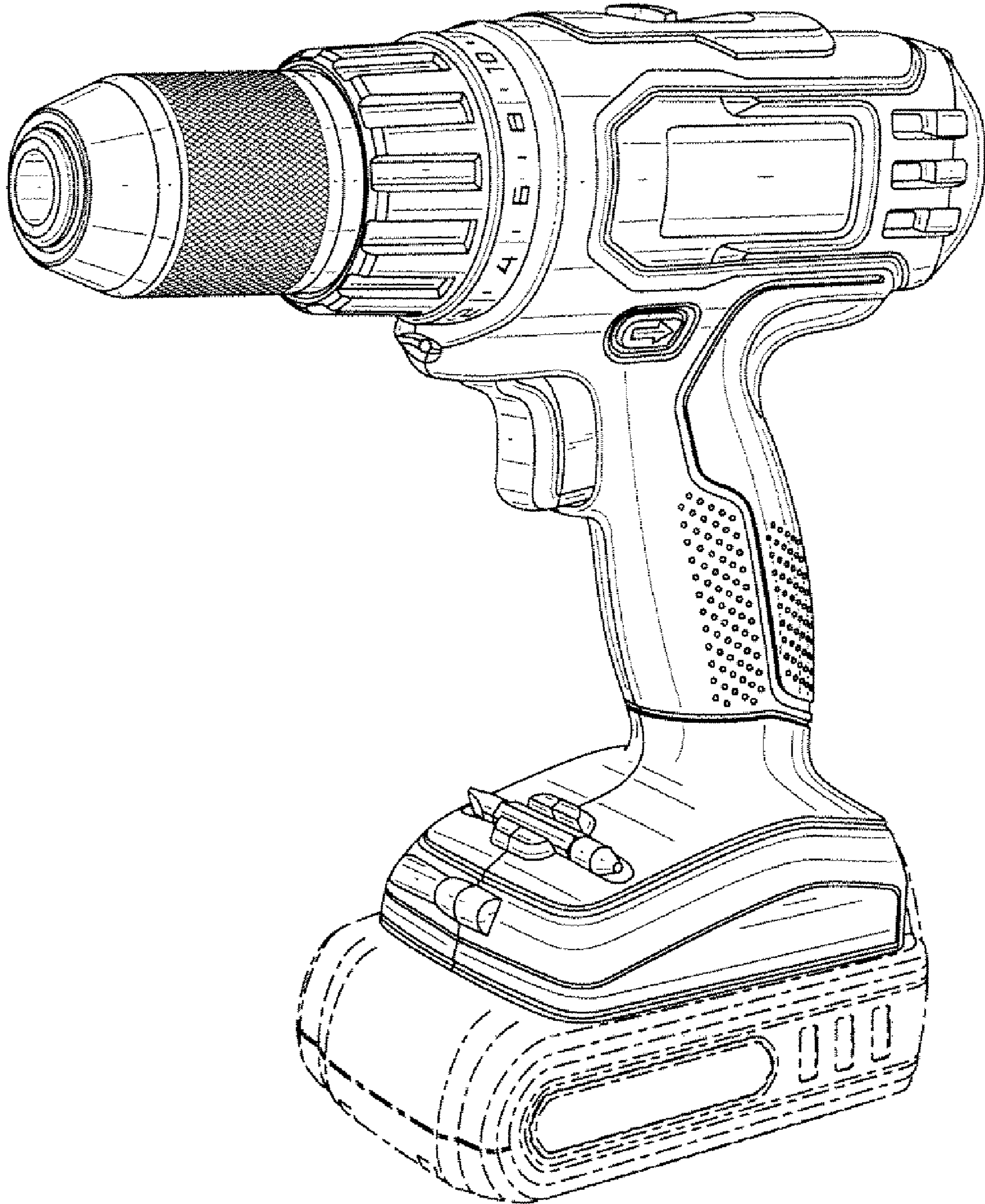


FIG. 8



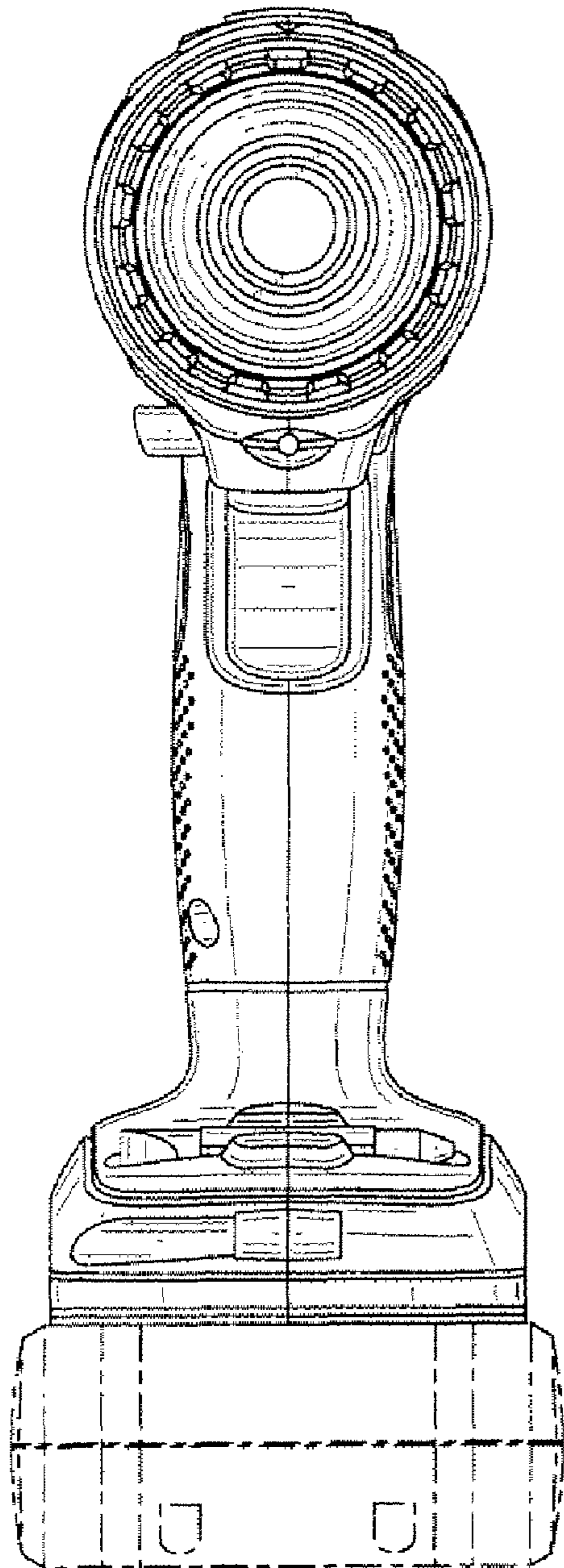


FIG. 9

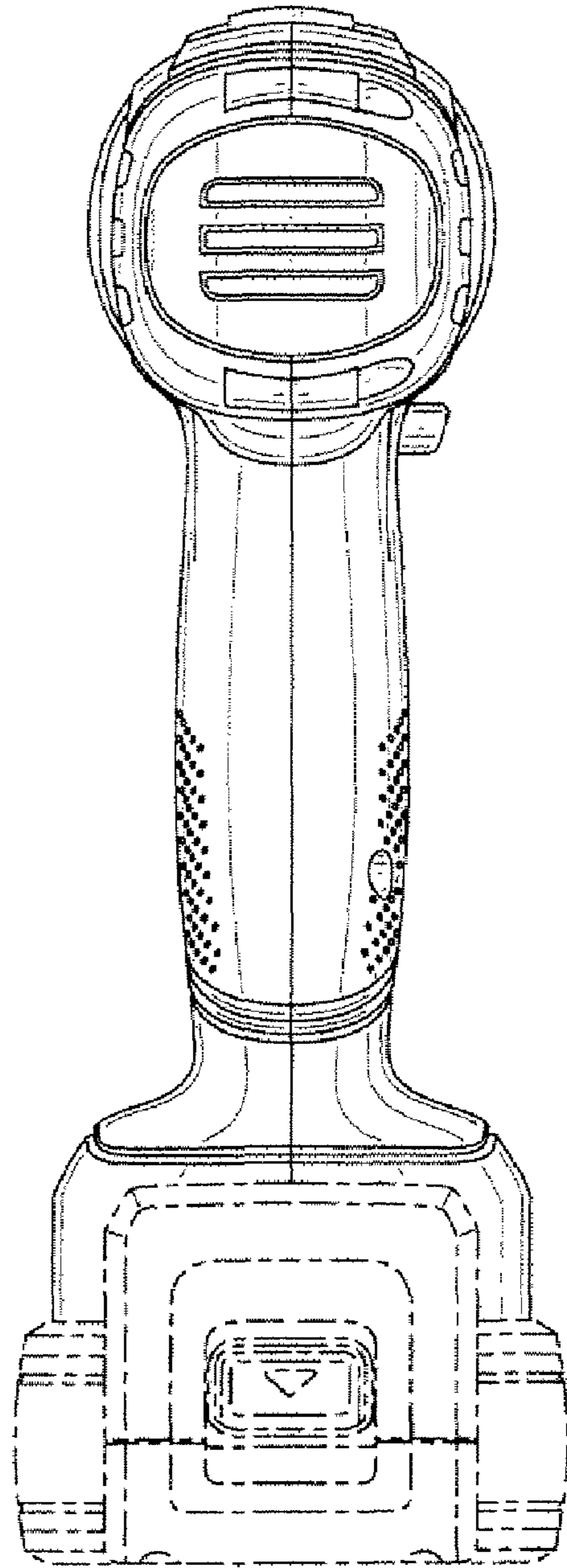


FIG. 10

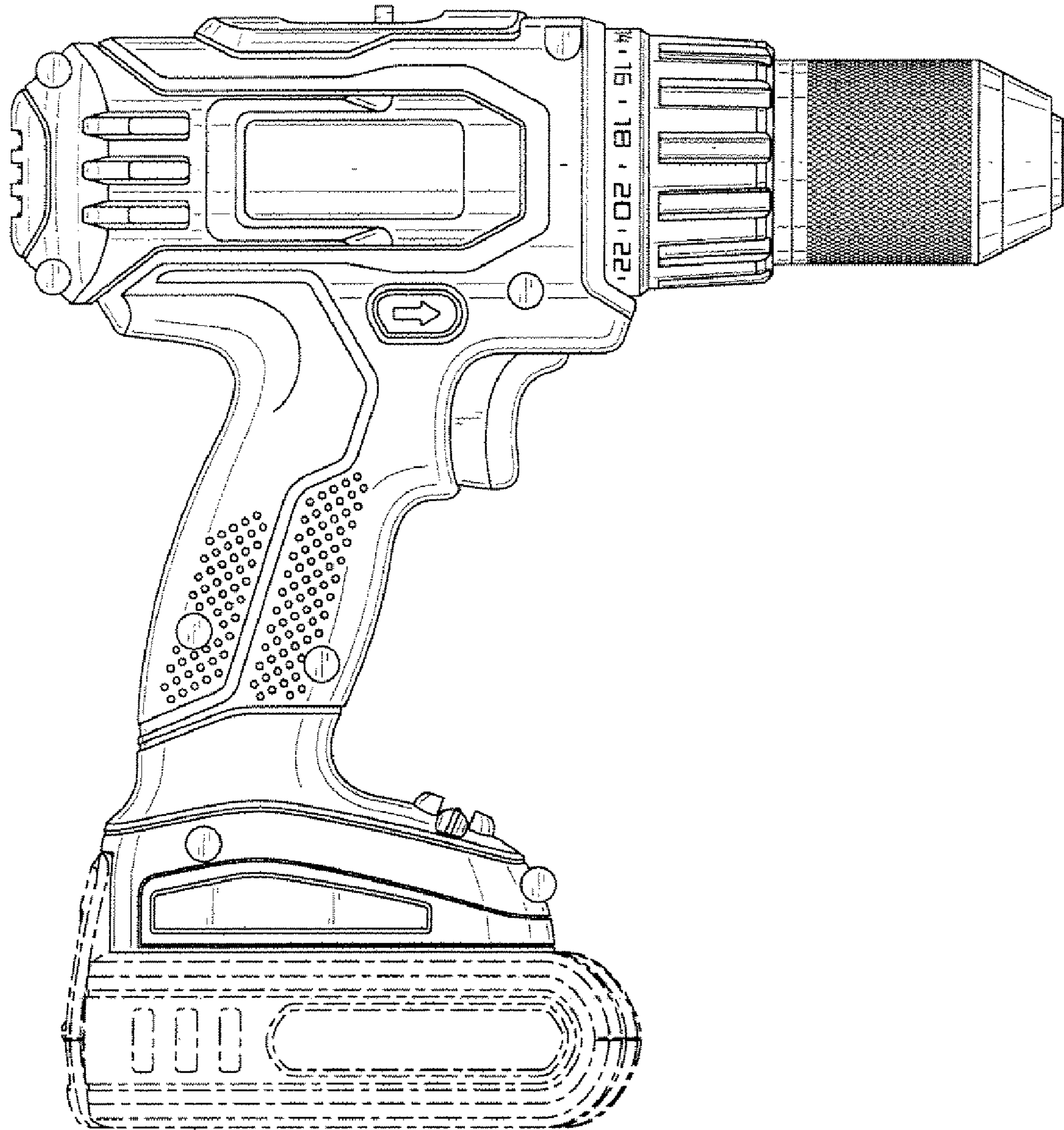


FIG. 11

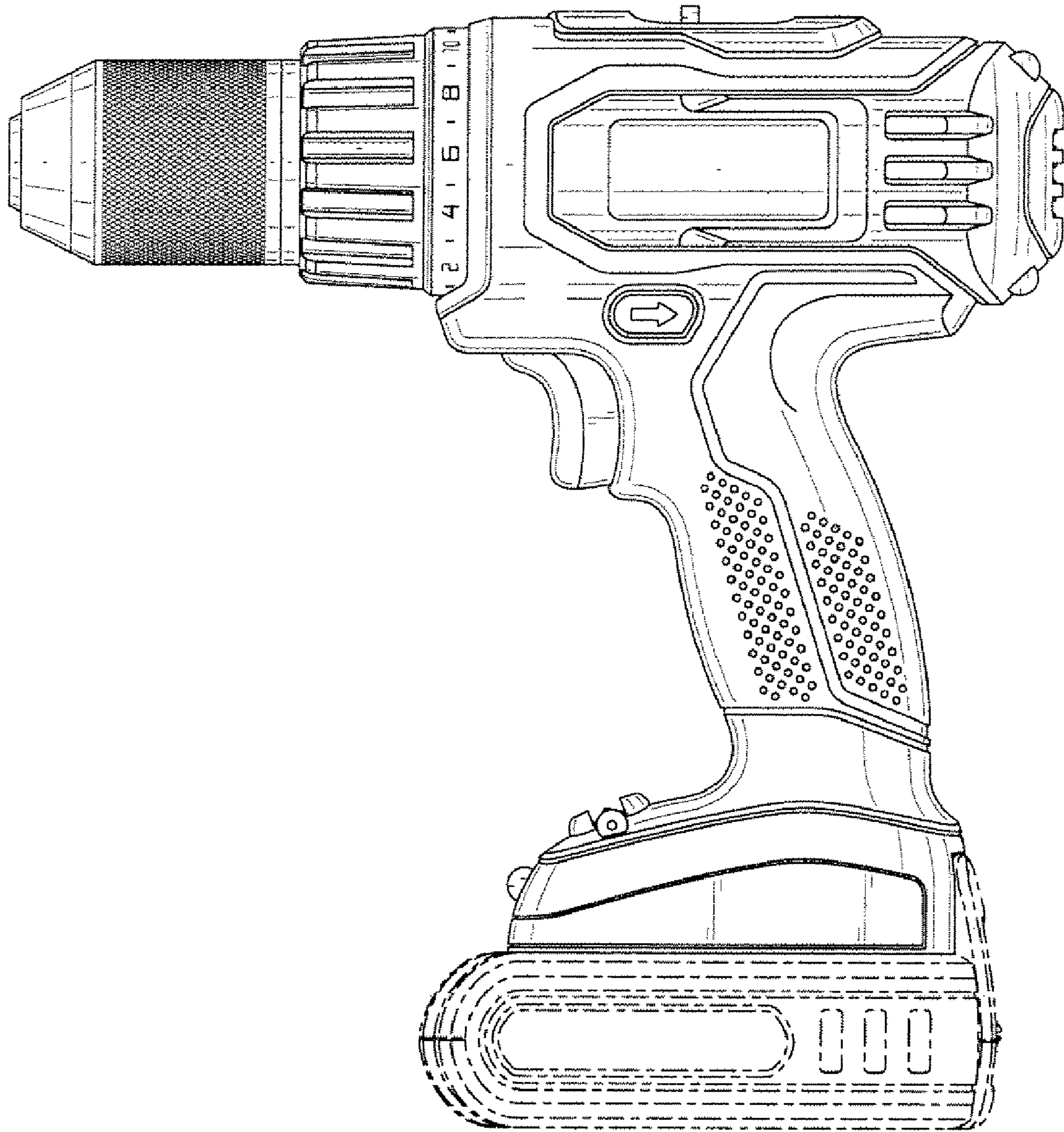


FIG. 12

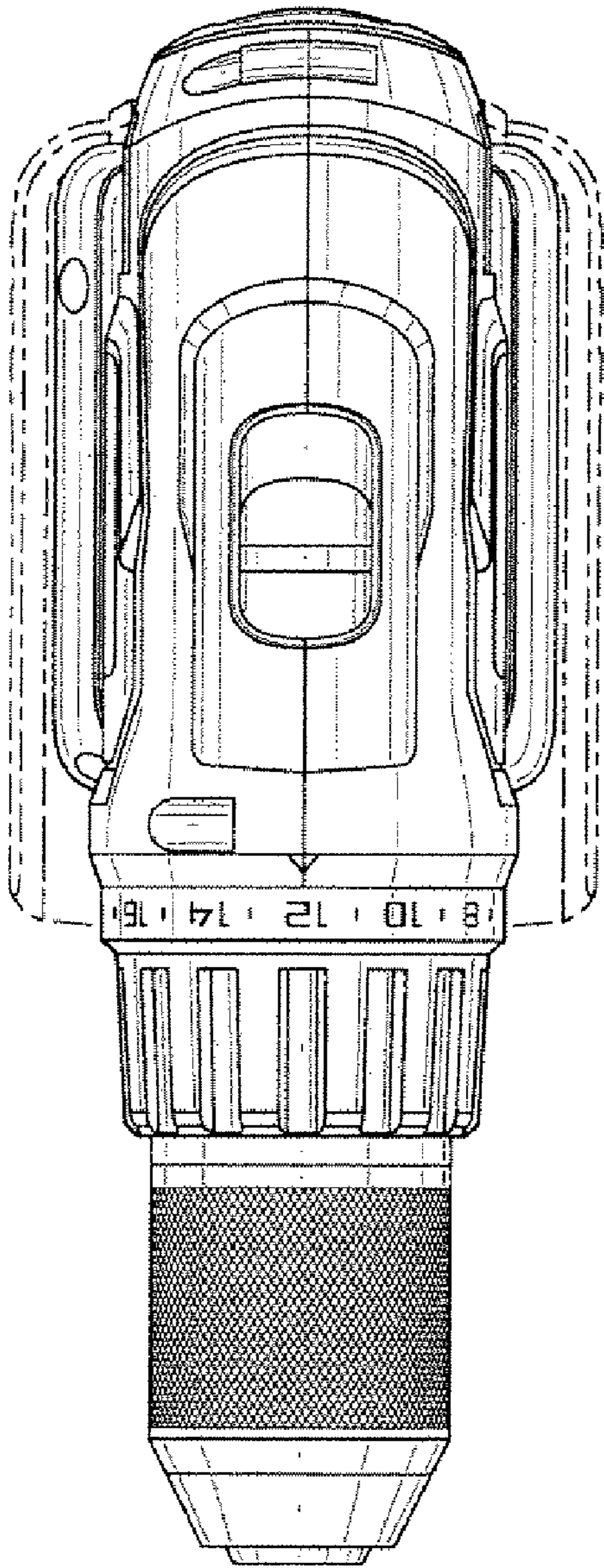


FIG. 13

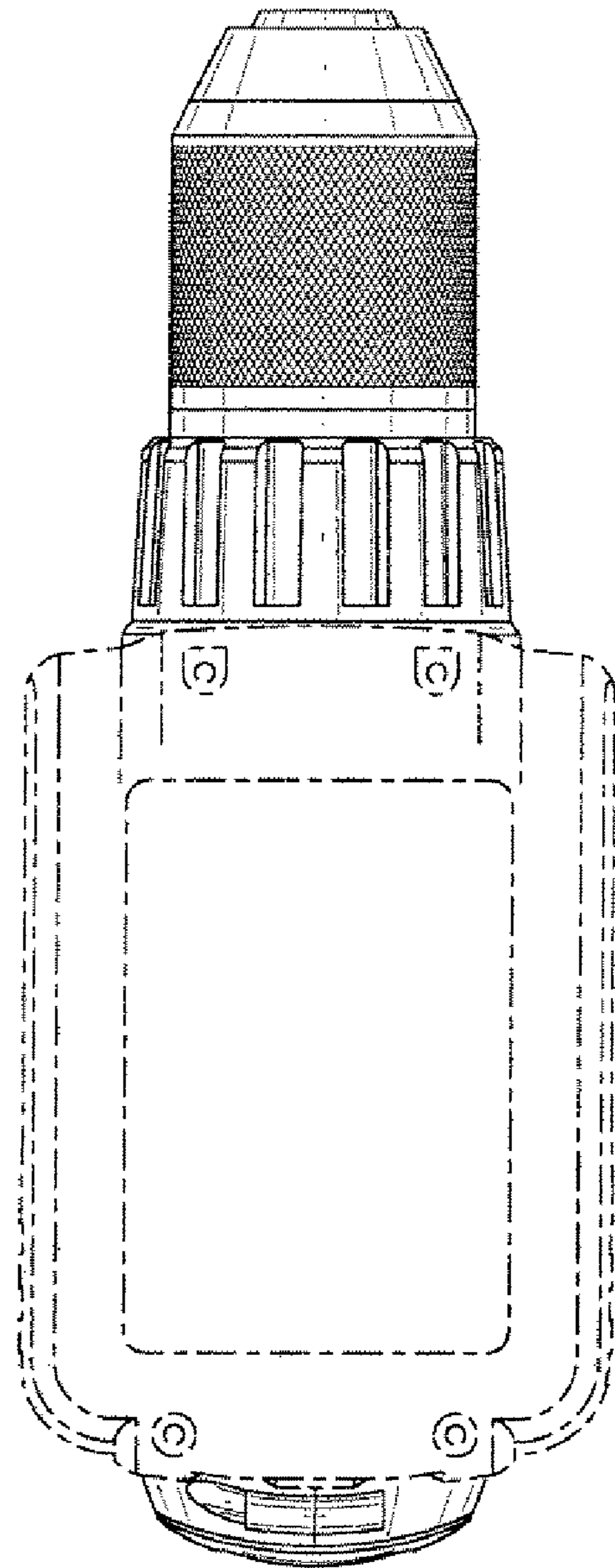


FIG. 14