



US00D609071S

(12) **United States Design Patent**  
**Yamamoto et al.**

(10) **Patent No.:** **US D609,071 S**  
(45) **Date of Patent:** **\*\* Feb. 2, 2010**

(54) **PORTABLE ELECTRIC SANDER**  
(75) Inventors: **Yuji Yamamoto, Anjo (JP); Hirokazu Hagiwara, Anjo (JP)**  
(73) Assignee: **Makita Corporation, Anjo-shi (JP)**  
(\*\*) Term: **14 Years**

D530,579 S \* 10/2006 Waldron ..... D8/62  
D538,122 S \* 3/2007 Etter et al. .... D8/62  
D548,556 S \* 8/2007 Stratford ..... D8/62  
D555,449 S \* 11/2007 Waldron ..... D8/62  
D559,640 S \* 1/2008 Kraus et al. .... D8/62  
D567,047 S \* 4/2008 Okuda et al. .... D8/62  
D570,173 S \* 6/2008 O'Hern ..... D8/62  
D574,686 S \* 8/2008 Waldron ..... D8/62

(21) Appl. No.: **29/343,192**  
(22) Filed: **Sep. 9, 2009**

**FOREIGN PATENT DOCUMENTS**

JP D 1337423 7/2008

\* cited by examiner

(30) **Foreign Application Priority Data**  
Mar. 27, 2009 (JP) ..... 2009-006953

*Primary Examiner*—Cathron C Brooks  
*Assistant Examiner*—Austin Murphy  
(74) *Attorney, Agent, or Firm*—Olliff & Berridge, PLC

(51) **LOC (9) Cl.** ..... **08-01**  
(52) **U.S. Cl.** ..... **D8/62**  
(58) **Field of Classification Search** ..... D8/67,  
D8/62, 61, 70; D32/15, 17, 19; D4/102;  
451/456, 451, 359, 358, 357, 356, 355, 364,  
451/344; 144/154.5, 373; 30/475  
See application file for complete search history.

(57) **CLAIM**

The ornamental design for a portable electric sander, as shown and described.

(56) **References Cited**

**U.S. PATENT DOCUMENTS**

D329,362 S \* 9/1992 Saito et al. .... D8/62  
D352,437 S \* 11/1994 Chunn et al. .... D8/62  
D376,304 S \* 12/1996 Clowers et al. .... D8/62  
D413,779 S \* 9/1999 Hayakawa et al. .... D8/62  
D448,262 S \* 9/2001 Heun ..... D8/62  
D453,668 S \* 2/2002 Pretzell ..... D8/62  
D478,261 S \* 8/2003 Sham ..... D8/62  
D487,008 S \* 2/2004 Andriolo ..... D8/62  
D498,399 S \* 11/2004 Wu ..... D8/62  
D503,600 S \* 4/2005 Bian ..... D8/62  
D509,722 S \* 9/2005 Wikle et al. .... D8/62  
D526,549 S \* 8/2006 Aglassinger ..... D8/62  
D527,235 S \* 8/2006 Aglassinger ..... D8/62

**DESCRIPTION**

FIG. 1 is a perspective view of top, front and left side of a portable electric sander showing our new design;

FIG. 2 is a front view thereof;

FIG. 3 is a rear view thereof;

FIG. 4 is a left side view thereof;

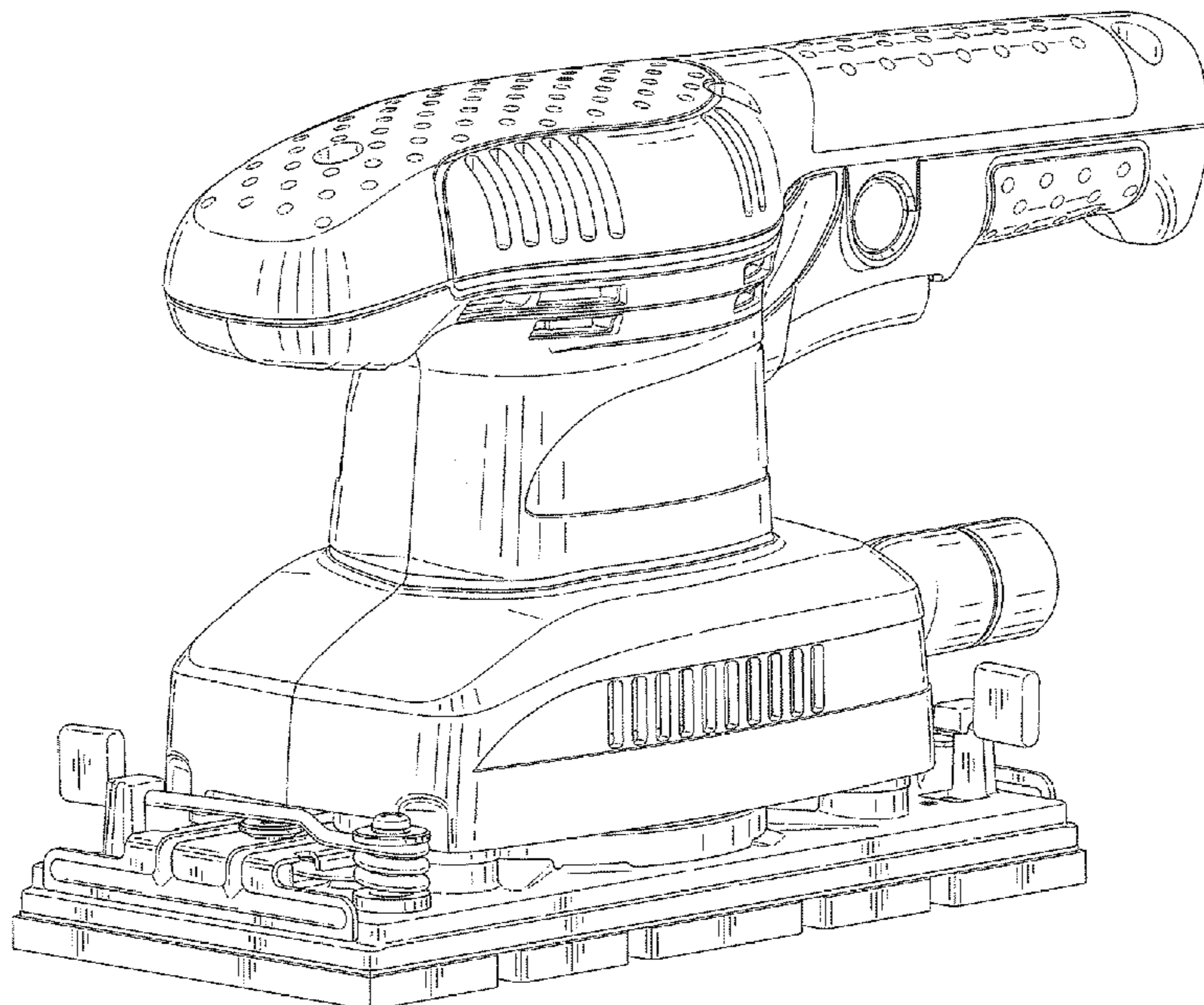
FIG. 5 is a right side view thereof;

FIG. 6 is a top plan view thereof; and,

FIG. 7 is a bottom view thereof.

The broken lines shown in the drawings represent unclaimed portions of the portable electric sander and form no part of the claimed design.

**1 Claim, 6 Drawing Sheets**



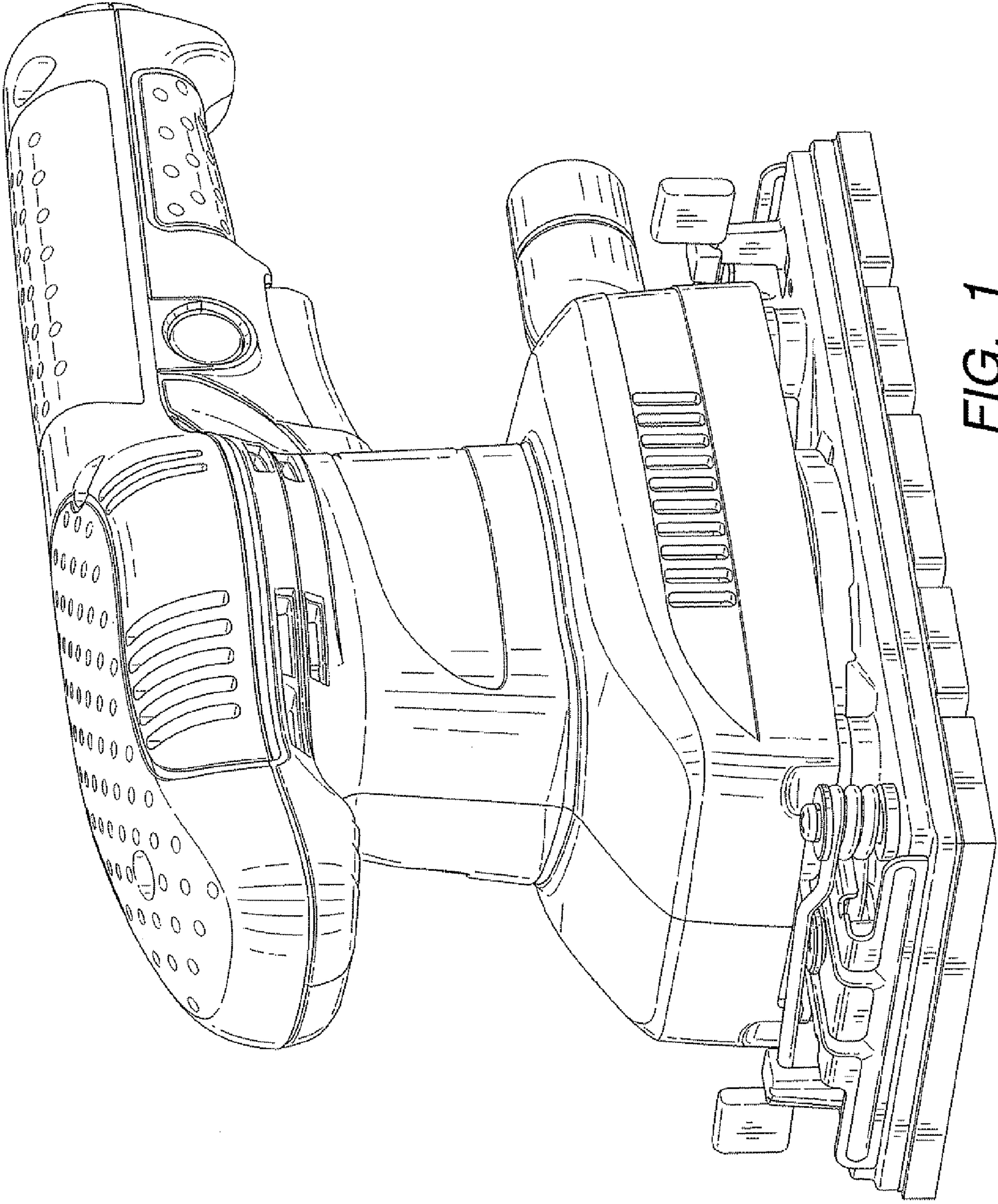


FIG. 1

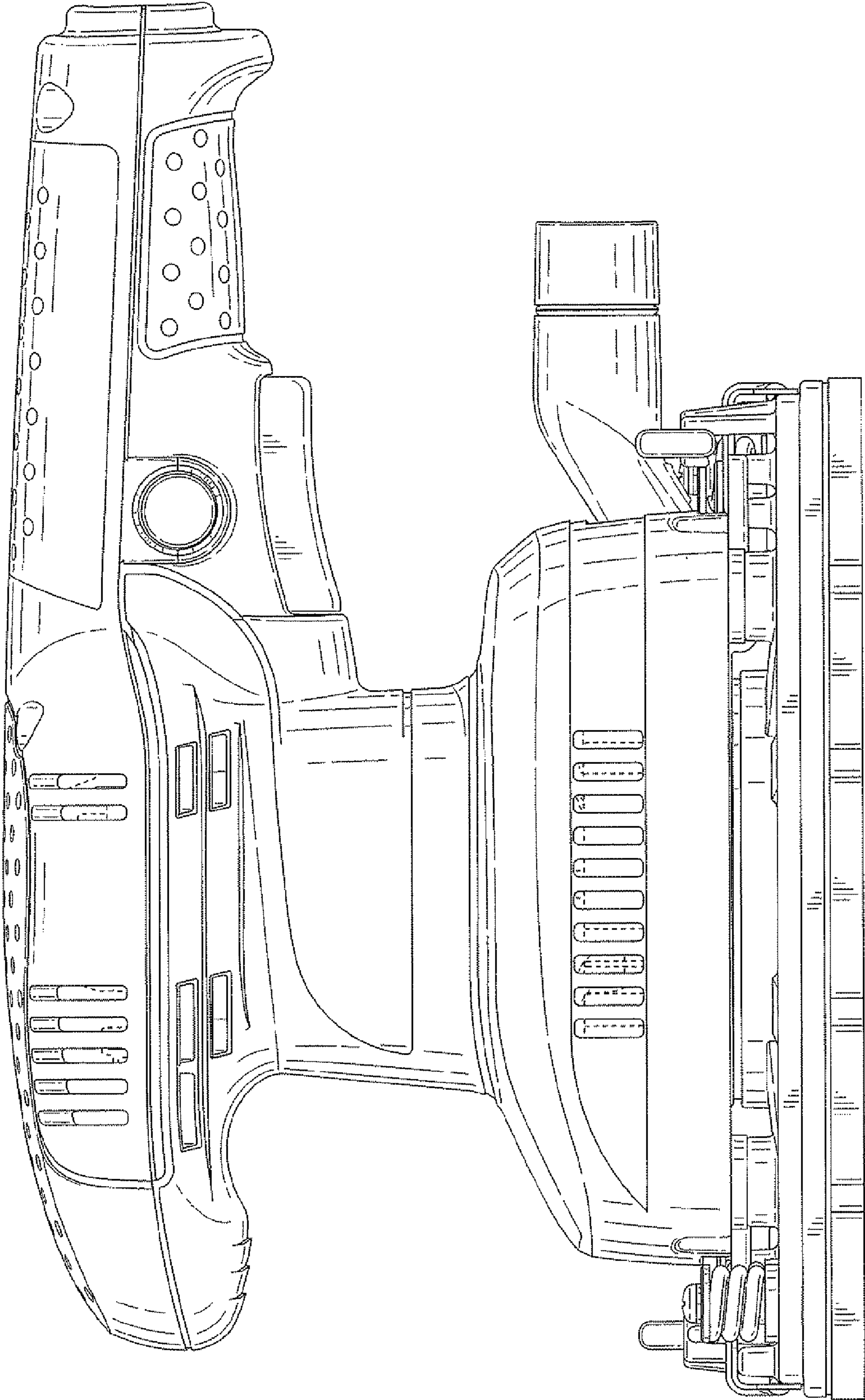


FIG. 2

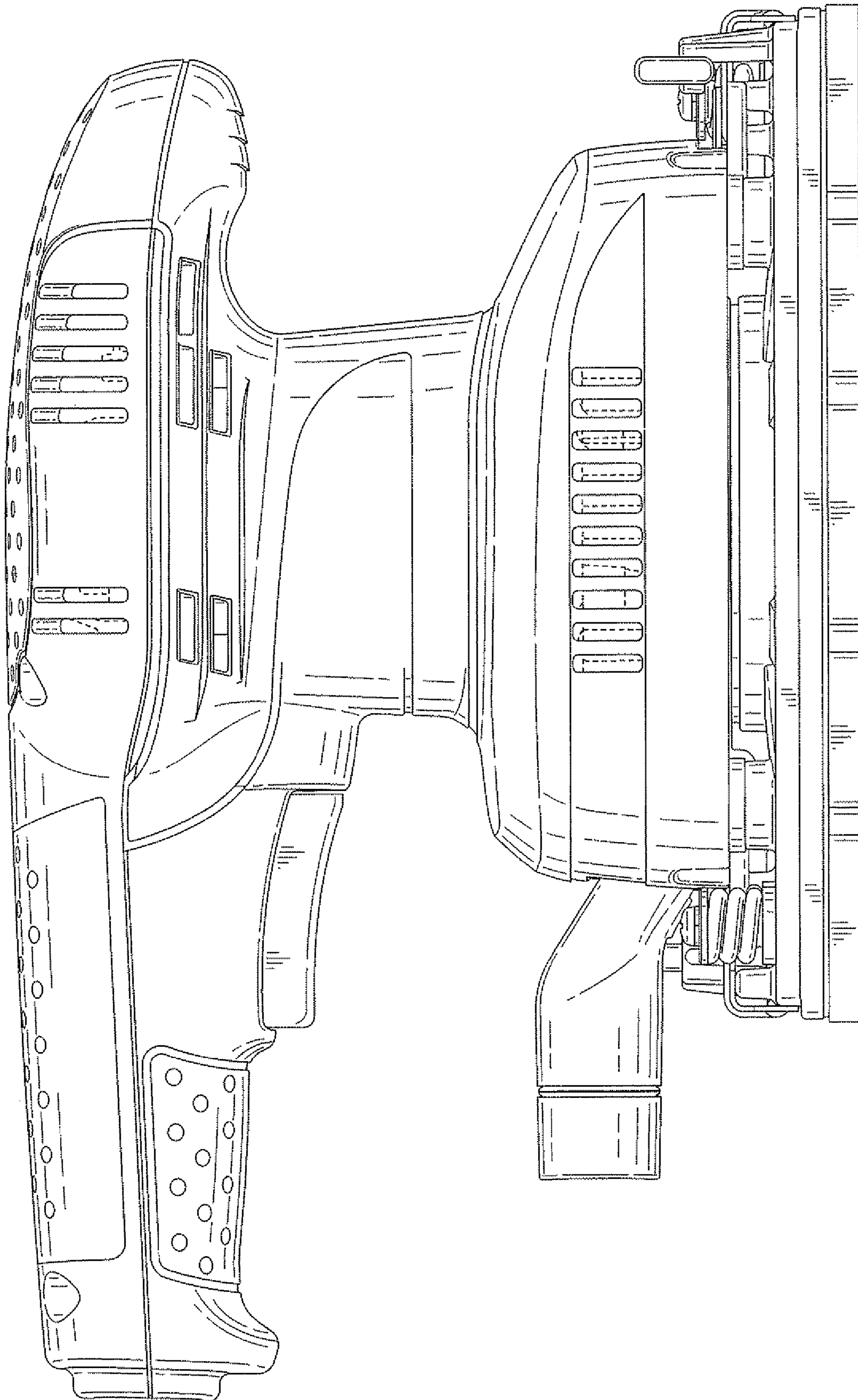


FIG. 3

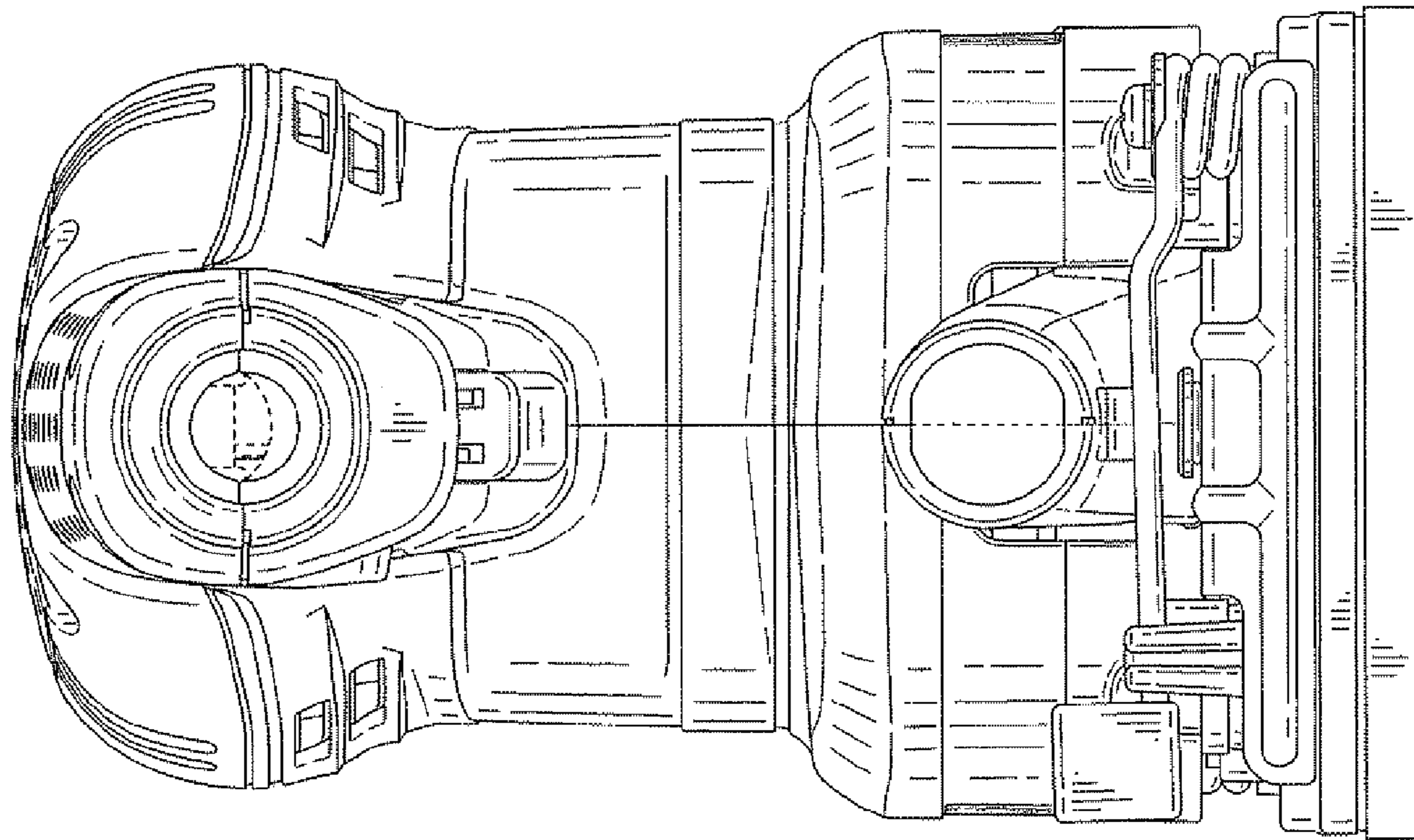


FIG. 5

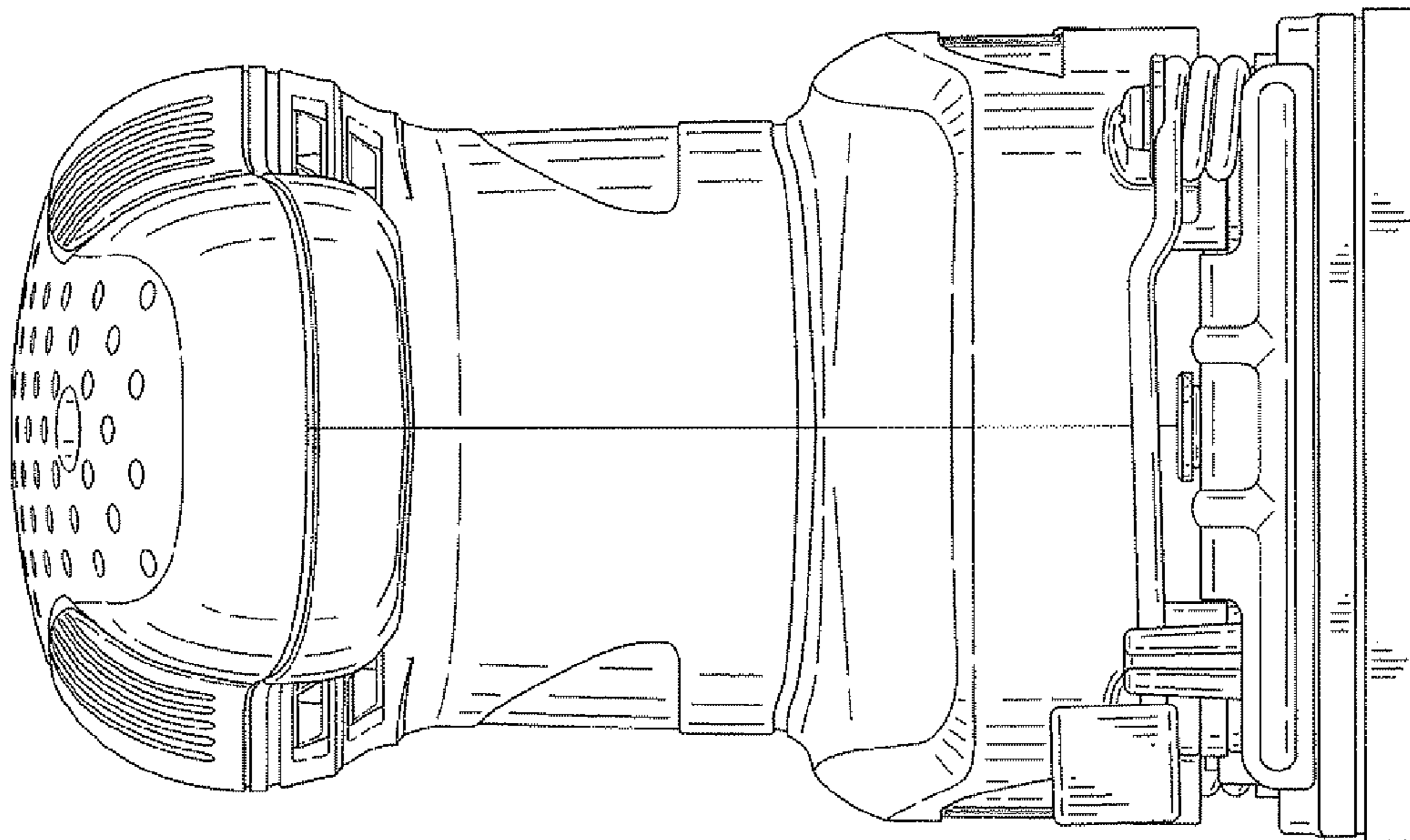


FIG. 4

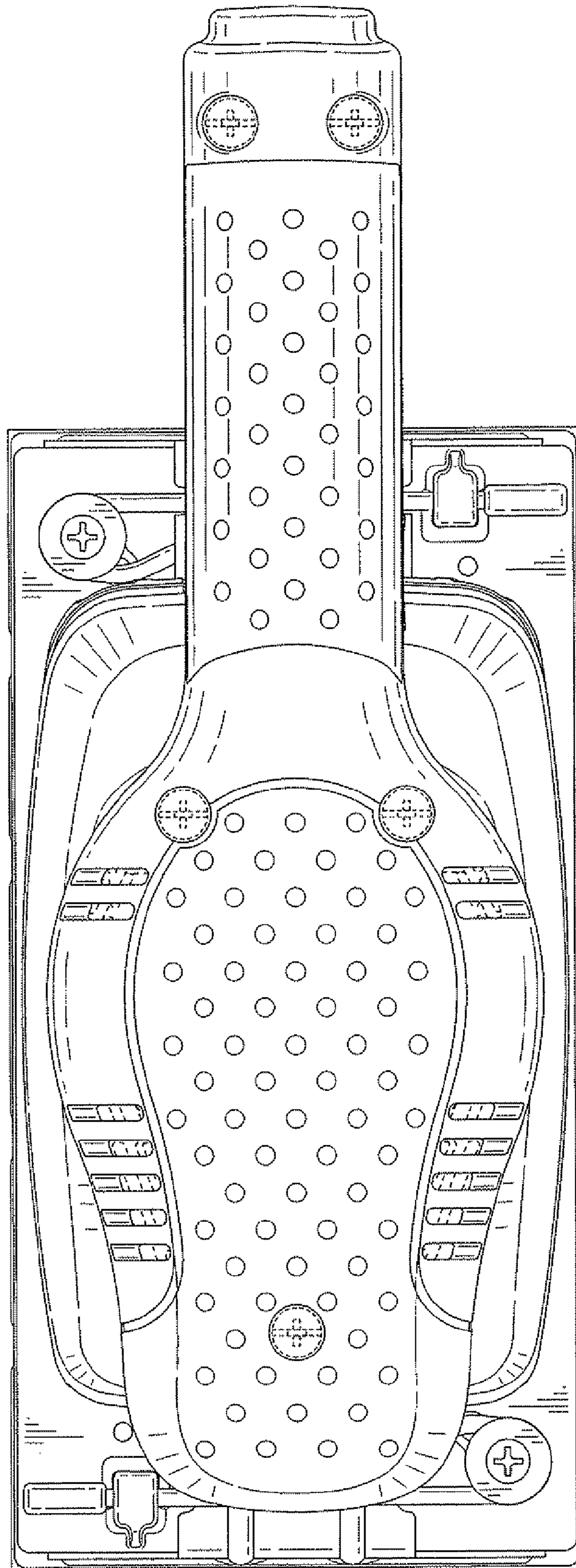


FIG. 6

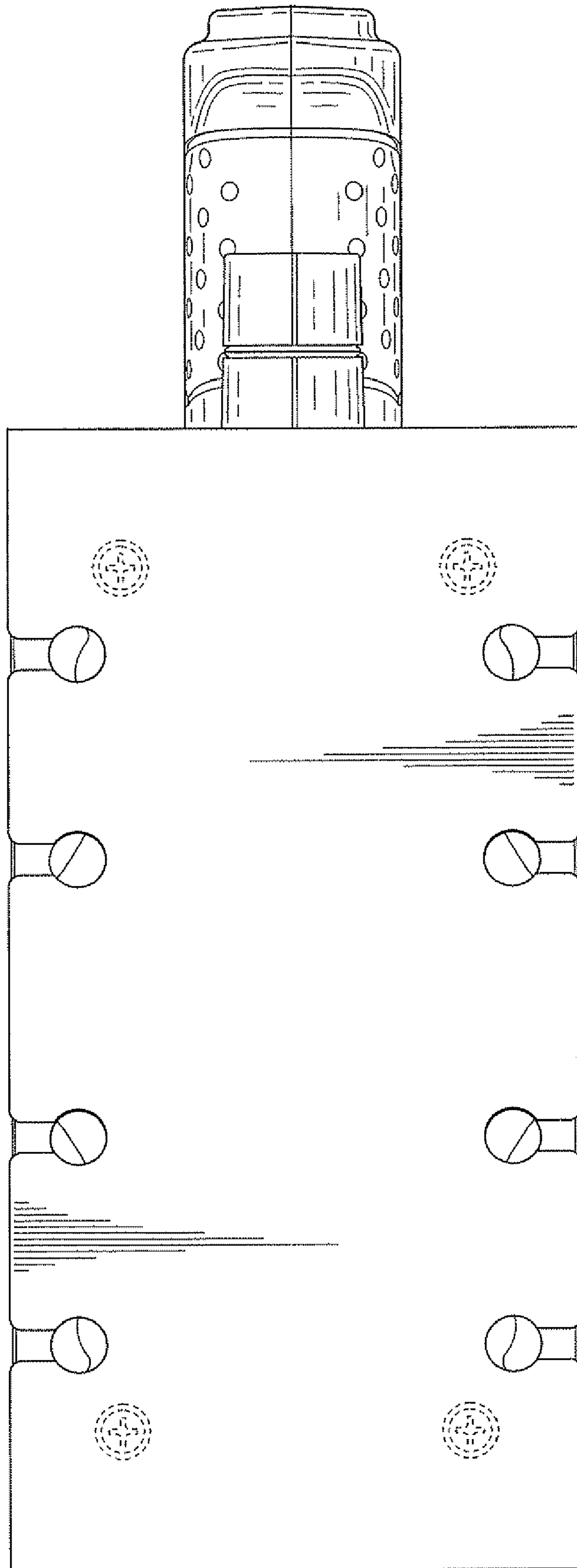


FIG. 7