



US00D609064S

(12) **United States Design Patent**
Najaryan et al.

(10) **Patent No.:** **US D609,064 S**
(45) **Date of Patent:** **** Feb. 2, 2010**

(54) **EIFFEL TOWER WINE RACK**

D446,089 S * 8/2001 Mistretta D7/678
D470,558 S * 2/2003 Gutknecht D21/831
D590,541 S * 4/2009 Chaoui D27/162

(75) Inventors: **Hovanes Najaryan**, Studio City, CA (US); **Manuk Nadzharyan**, Sherman Oaks, CA (US); **Nevrik Karavaryan**, Studio City, CA (US); **Arsen Nadzharyan**, Henderson, NV (US); **Armen Nadzharyan**, Reseda, CA (US)

* cited by examiner

Primary Examiner—Ian Simmons
Assistant Examiner—Dana L Sipos
(74) *Attorney, Agent, or Firm*—Tope-McKay & Associates

(73) Assignee: **Best Wine Shelves, Inc.** CA (US)

(57) **CLAIM**

(**) Term: **14 Years**

The ornamental design for an Eiffel Tower wine rack, as shown and described.

(21) Appl. No.: **29/314,786**

(22) Filed: **Apr. 29, 2009**

DESCRIPTION

(51) **LOC (9) Cl.** **07-06**

FIG. 1 is a top, front, right side perspective view of an Eiffel Tower wine rack according to our new design;

(52) **U.S. Cl.** **D7/702; D7/708; D7/619.1**

FIG. 2 is a front elevation view thereof, the rear elevation view being identical;

(58) **Field of Classification Search** D7/619.1, D7/619.2, 701–702, 704, 705–708, 637–638, D7/640–641; D6/329, 396, 404, 450, 453, D6/455–460, 462–465, 600.1, 600.2, 600.3, D6/600.4, 466–469, 474, 512, 514; 211/74, 211/77, 70.7; D21/483, 506–507, 510; D25/1, D25/164; D26/7, 16, 94–95, 125, 156
See application file for complete search history.

FIG. 3 is a right side elevation view thereof, shown in use, the left side elevation view being a mirror image;

FIG. 4 is a top plan view of the Eiffel Tower wine rack of FIG. 1, shown at an enlarged scale; and,

FIG. 5 is a bottom plan view thereof.

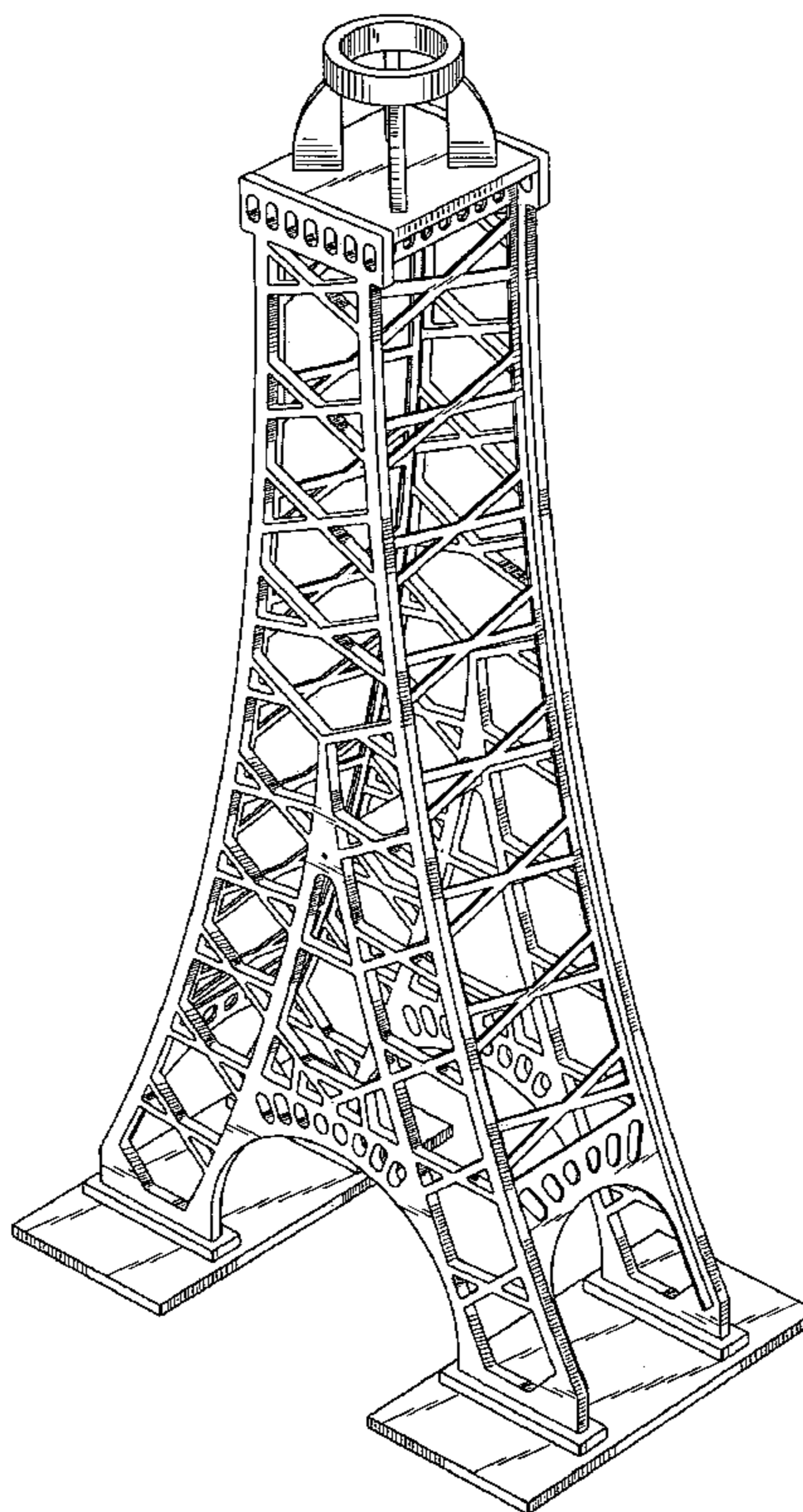
The broken lines in the FIG. 3 drawing view showing the wine bottles inserted in the wine rack illustrate the portions of the design that form no part of the claim.

(56) **References Cited**

U.S. PATENT DOCUMENTS

D257,179 S * 9/1980 Campo D26/95
D392,835 S * 3/1998 Harris D6/630

1 Claim, 5 Drawing Sheets



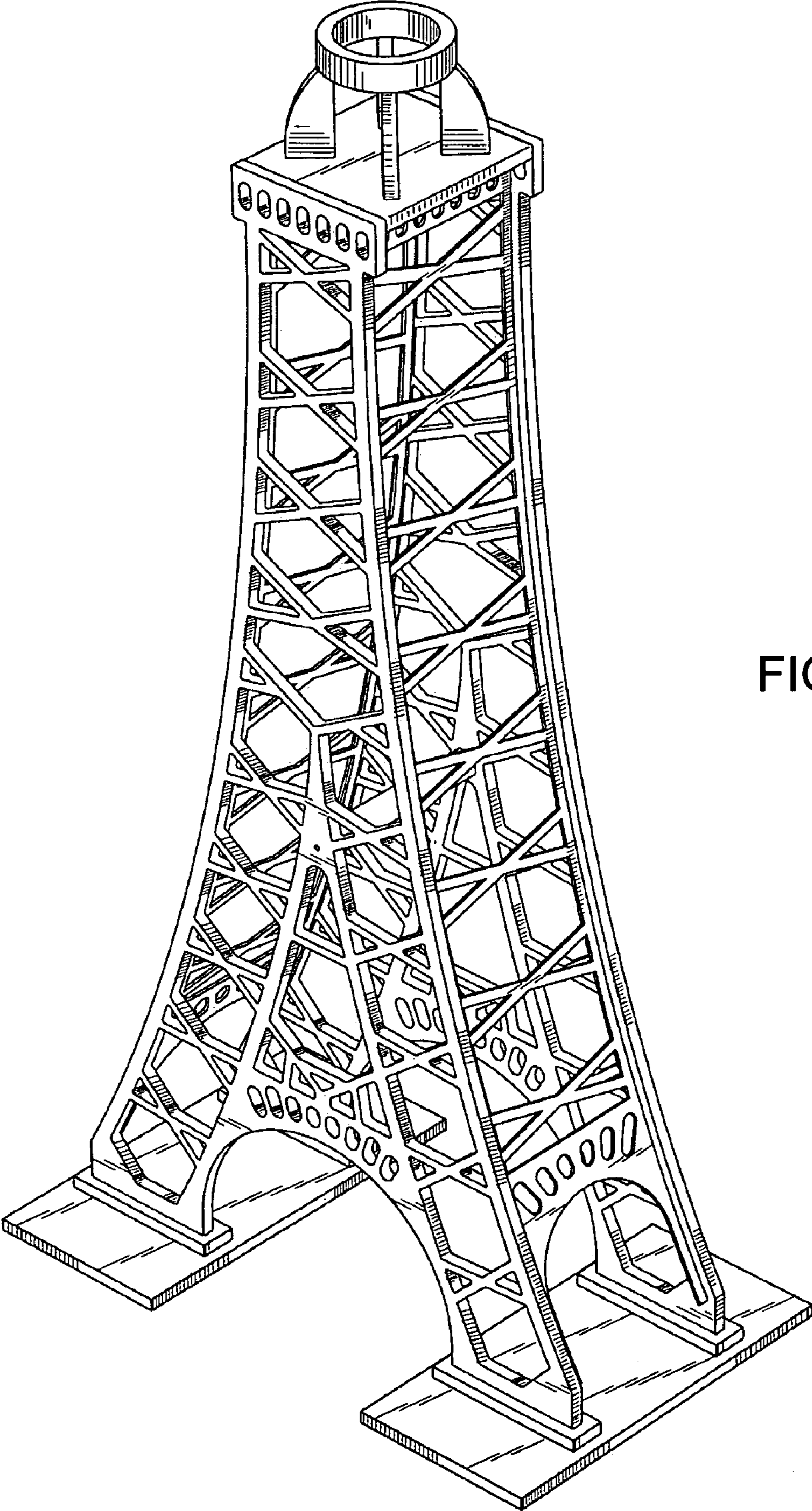


FIG. 1

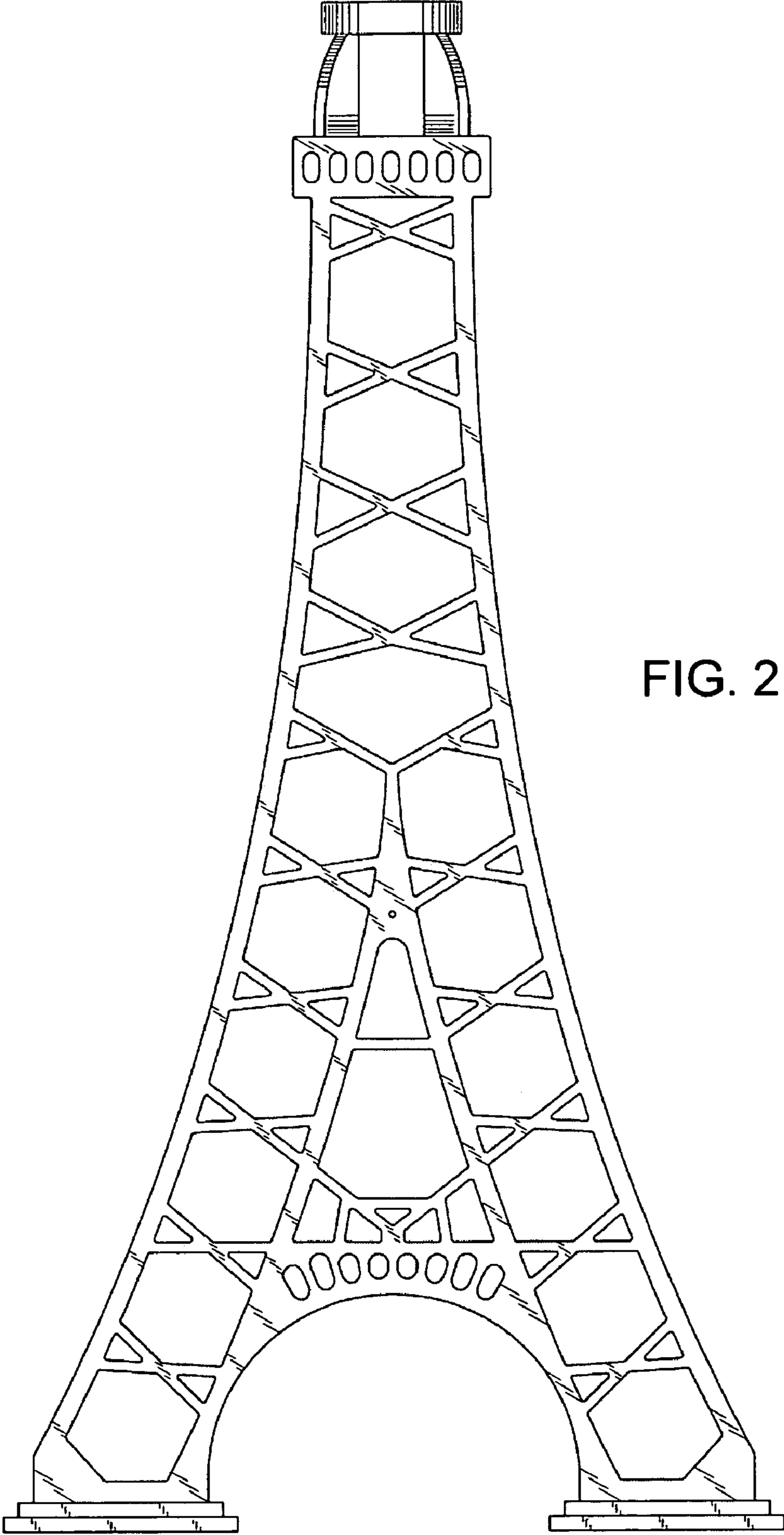


FIG. 2

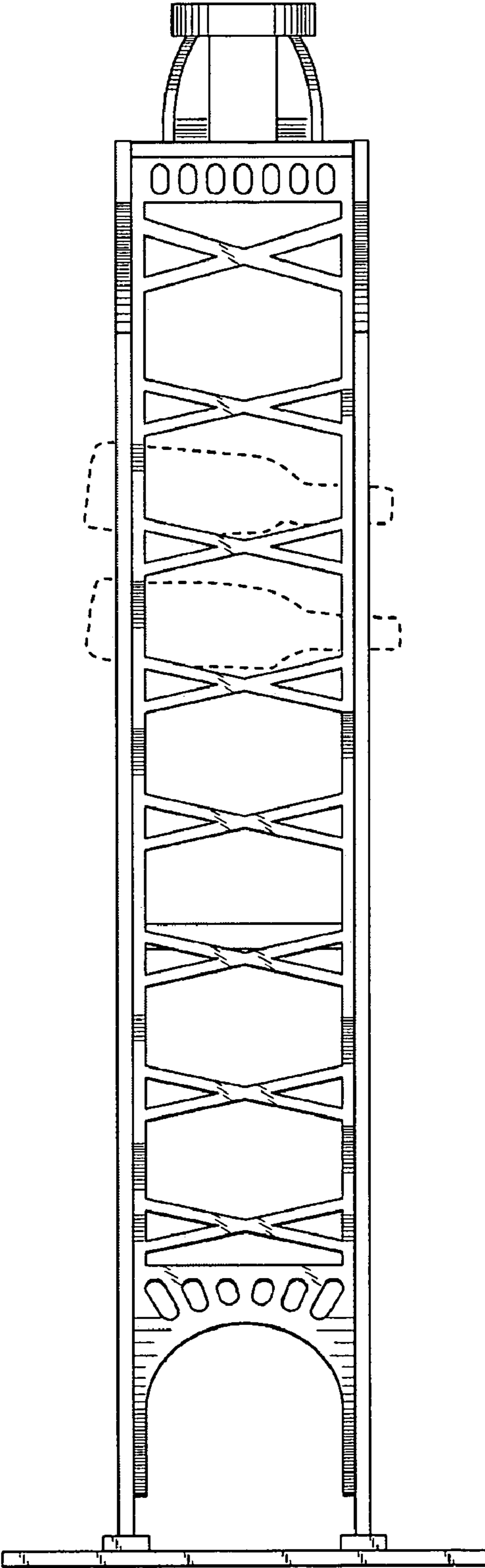


FIG. 3

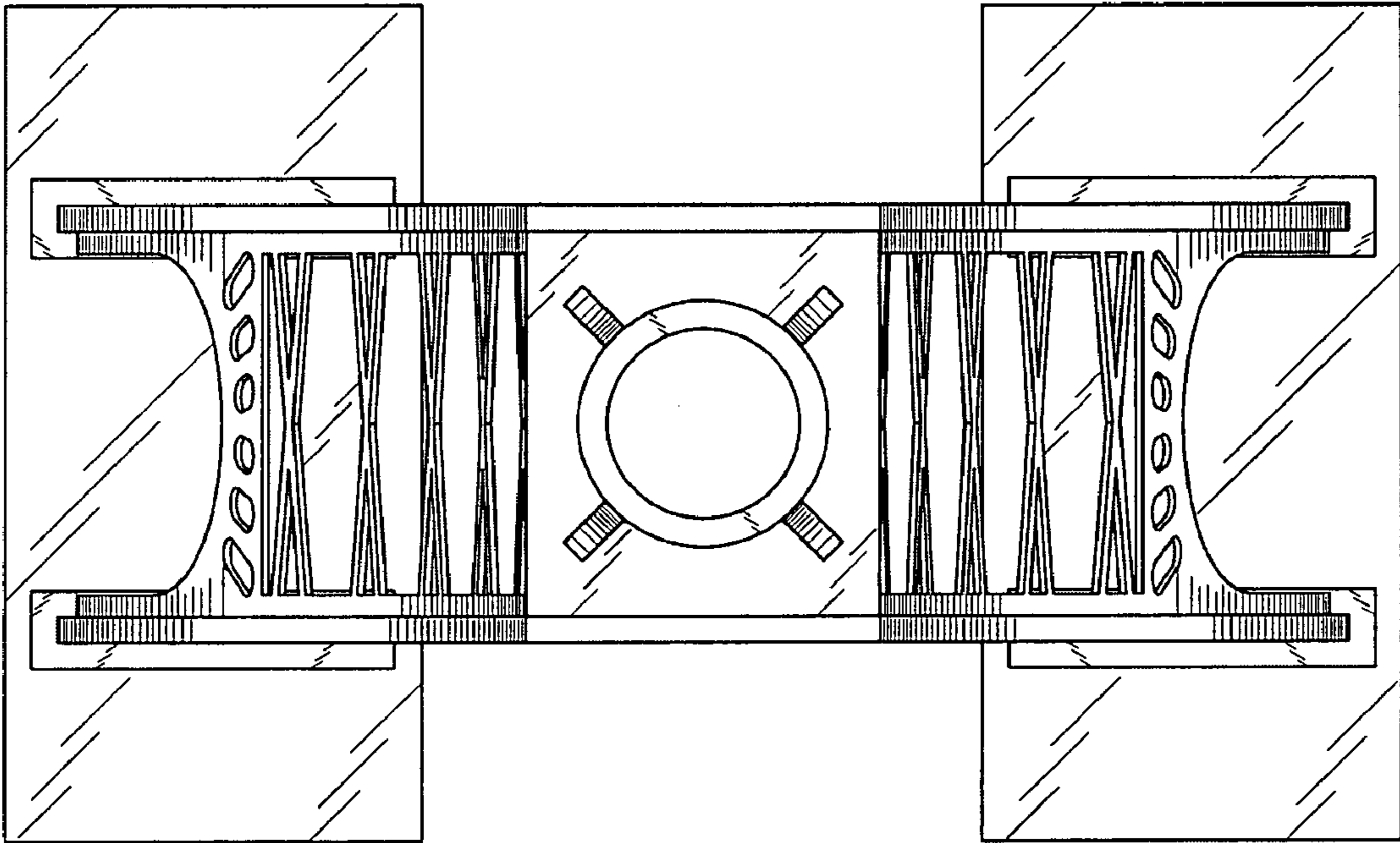


FIG. 4

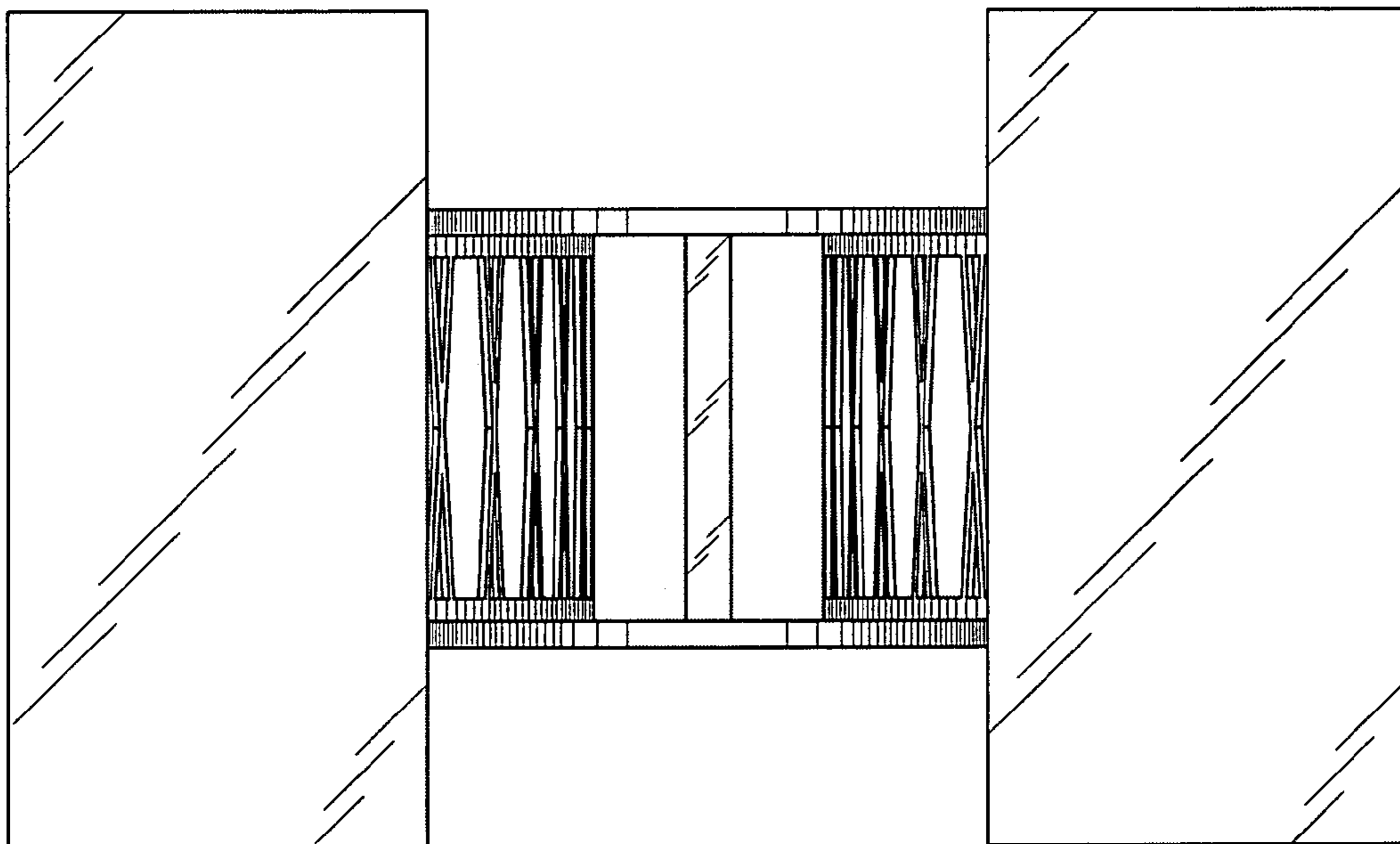


FIG. 5