



US00D609059S

(12) **United States Design Patent**
Paslawski

(10) **Patent No.:** **US D609,059 S**
(45) **Date of Patent:** **** Feb. 2, 2010**

(54) **COMBINATION COOLER AND BARBEQUE GRILL**

(75) Inventor: **Ray N Paslawski**, Wildwood, MO (US)

(73) Assignee: **Positive Outcomes, Inc.**, Wildwood, MO (US)

(**) Term: **14 Years**

(21) Appl. No.: **29/338,527**

(22) Filed: **Jun. 12, 2009**

Related U.S. Application Data

(63) Continuation-in-part of application No. 29/322,536, filed on Aug. 6, 2008.

(51) **LOC (9) Cl.** **07-01**

(52) **U.S. Cl.** **D7/605; D7/332**

(58) **Field of Classification Search** D7/605-608, D7/332, 334; 62/457.1-457.9, 371, 372; 220/915.1, 915.2, 592.01, 592.03, 592.09, 220/592.16, 592.2; 280/645, 655.1, 638, 280/652, 47.131, 47.17, 47.23, 47.2, 47.24, 280/47.21, 47.34

See application file for complete search history.

(56) **References Cited**

U.S. PATENT DOCUMENTS

- 3,591,194 A * 7/1971 Vega 280/79.2
- 4,581,902 A * 4/1986 Starck et al. 62/258
- D293,632 S * 1/1988 Capocasa D6/336
- D322,738 S * 12/1991 Onweiler D7/605

(Continued)

Primary Examiner—Terry A Wallace

(74) *Attorney, Agent, or Firm*—Polster, Lieder, Woodruff & Lucchesi, LC

(57) **CLAIM**

The ornamental design for a combination cooler and barbeque grill, as shown and described.

DESCRIPTION

FIG. 1 is a front perspective view of a combination cooler and barbeque grill according to an embodiment of the present invention;

FIG. 2 is a rear perspective view of a combination cooler and barbeque grill according to an embodiment of the present invention;

FIG. 3 is a front view of a combination cooler and barbeque grill according to an embodiment of the present invention;

FIG. 4 is a rear view of a combination cooler and barbeque grill according to an embodiment of the present invention;

FIG. 5 is a top side view of a combination cooler and barbeque grill according to an embodiment of the present invention;

FIG. 6 is a bottom view of a combination cooler and barbeque grill according to an embodiment of the present invention;

FIG. 7 is a left side view of a combination cooler and barbeque grill according to an embodiment of the present invention;

FIG. 8 is a right side view of a combination cooler and barbeque grill according to an embodiment of the present invention;

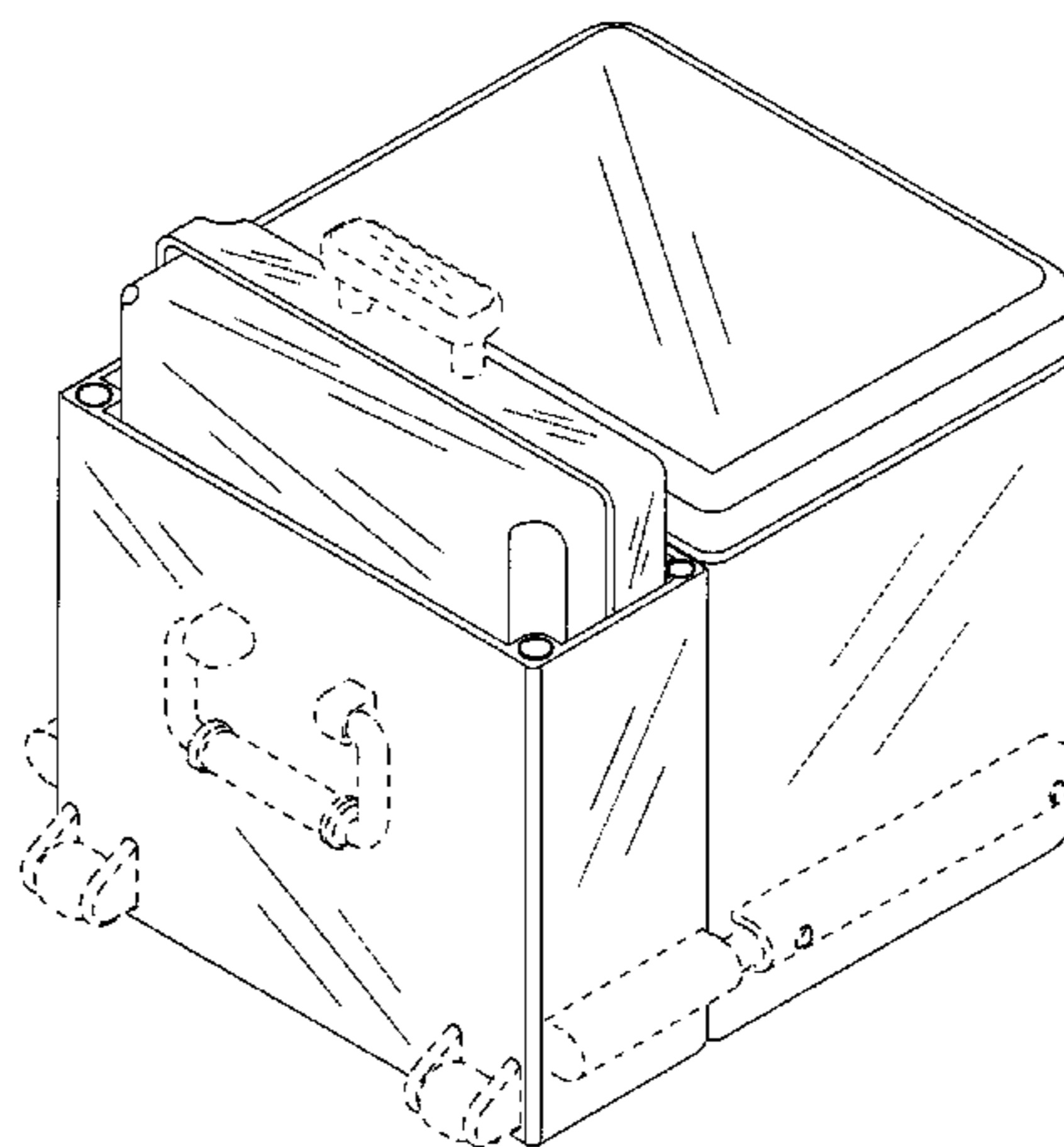
FIG. 9 is a side view of a combination cooler and barbeque grill in an expanded state according to an embodiment of the present invention;

FIG. 10 is a front view of a combination cooler and barbeque grill in an expanded state according to an embodiment of the present invention; and,

FIG. 11 is a side view of a combination cooler and barbeque grill in an expanded state according to an embodiment of the present invention.

The broken lines are for illustrative purposes only and form no part of the claimed design.

1 Claim, 11 Drawing Sheets



US D609,059 S

Page 2

U.S. PATENT DOCUMENTS

5,480,170	A *	1/1996	Kaiser, II	280/30	6,612,127	B2 *	9/2003	Simmons	62/457.2
D414,987	S *	10/1999	Moffett et al.	D7/605	D514,891	S *	2/2006	Garcia et al.	D7/605
6,216,488	B1 *	4/2001	Rucker	62/457.7	D525,084	S *	7/2006	Willis	D7/605
D479,440	S *	9/2003	Kennedy	D7/605	D552,406	S *	10/2007	Chung	D7/334

* cited by examiner

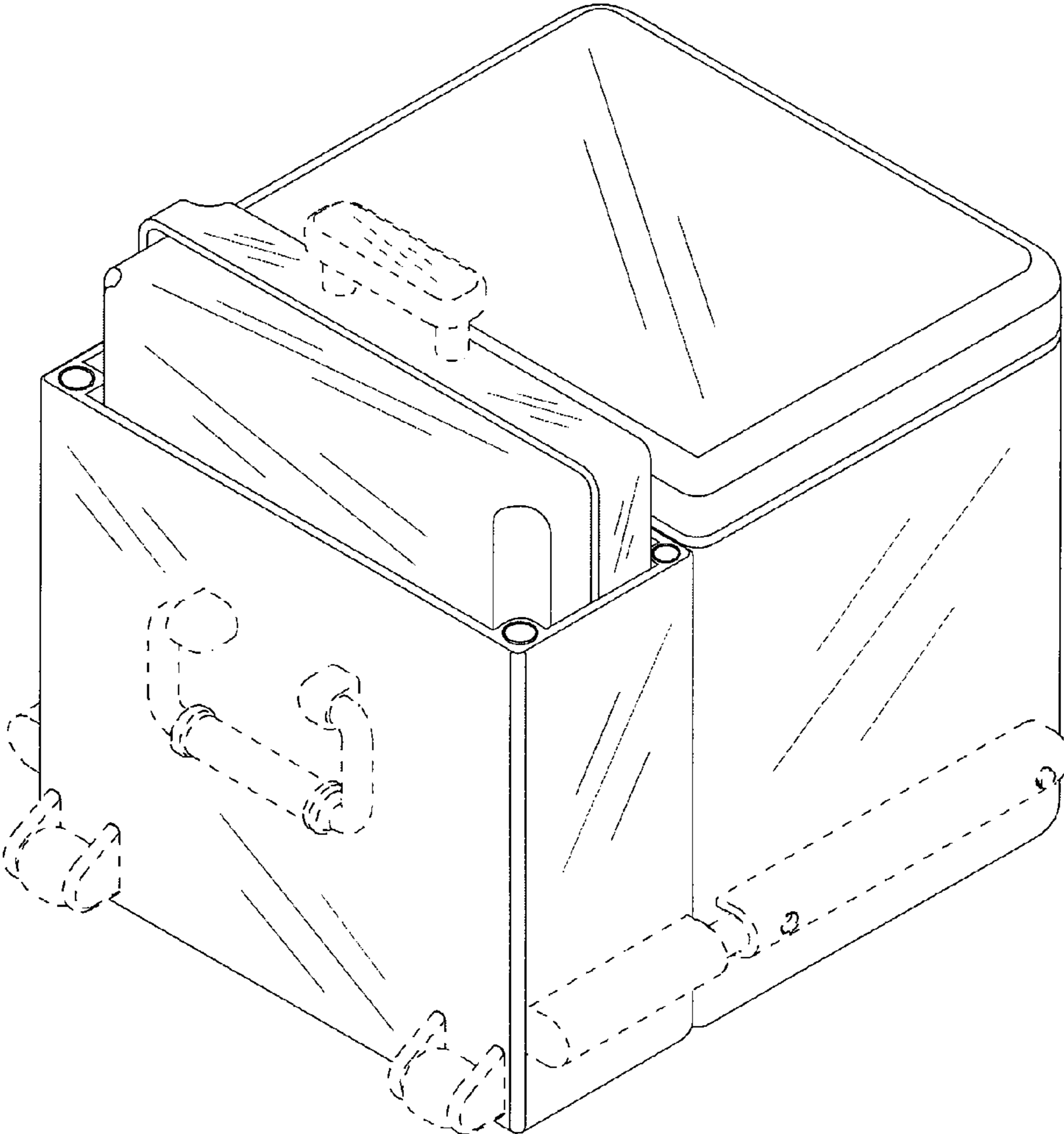


Fig 1

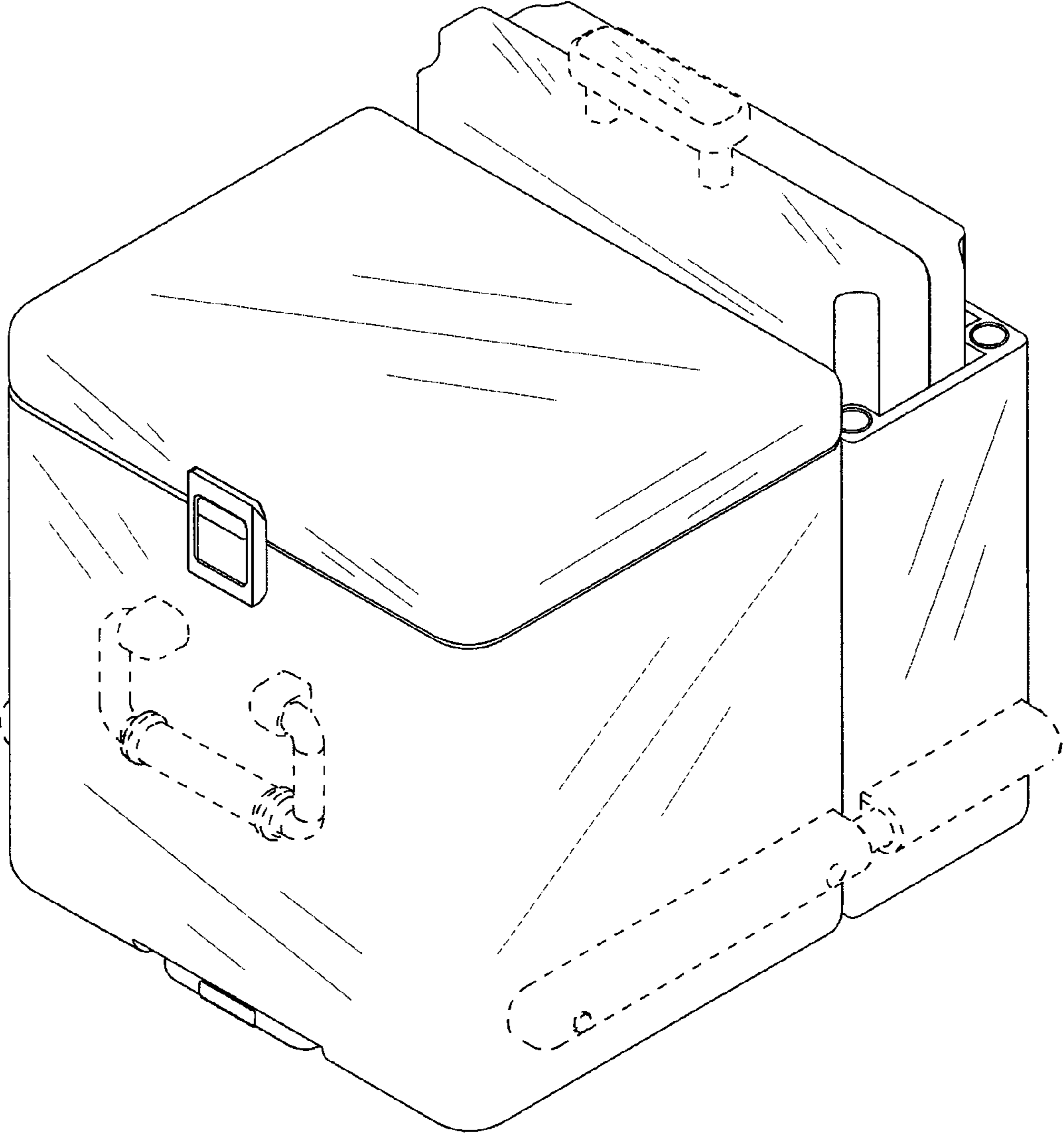


Fig 2

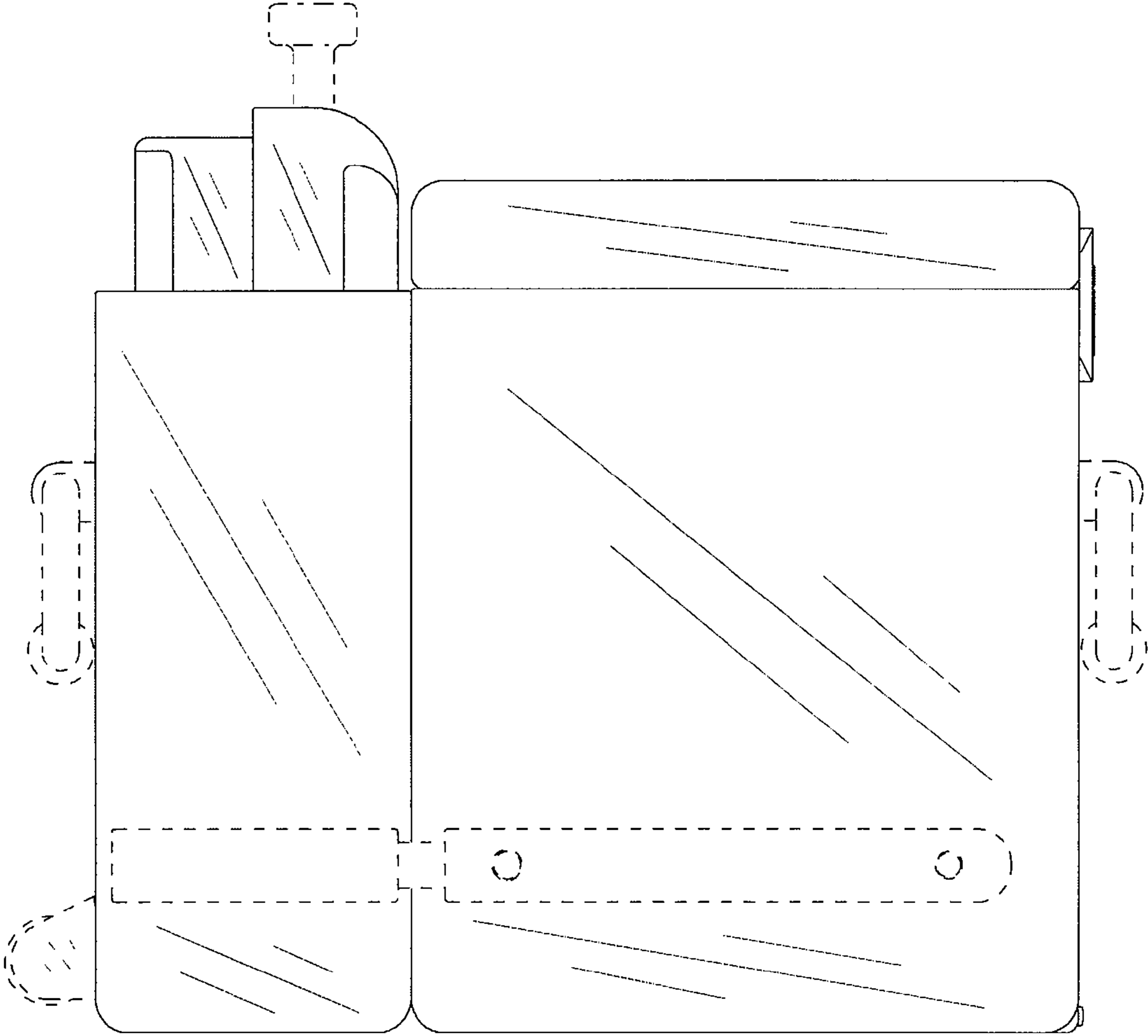


Fig 3

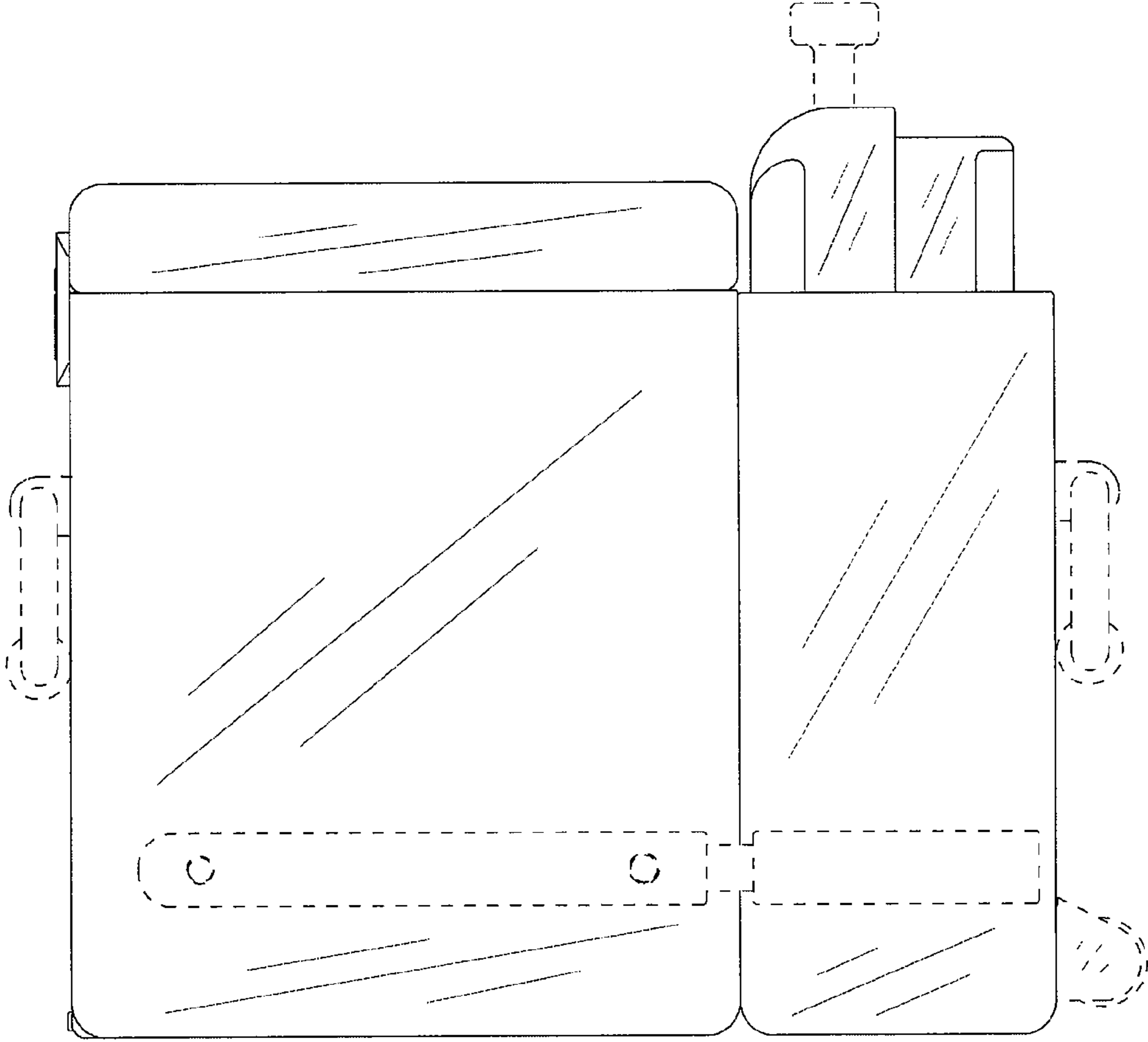


Fig 4

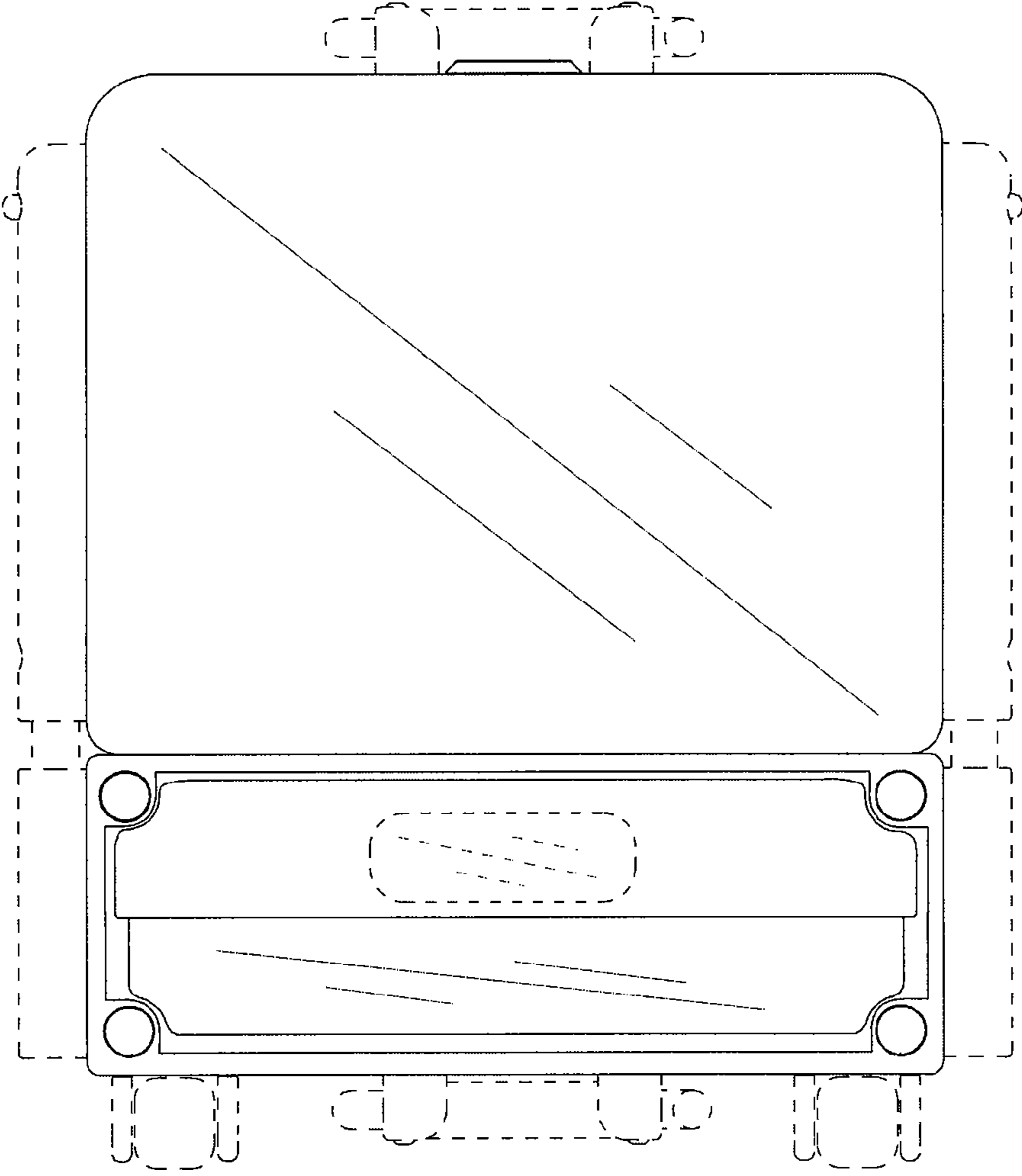


Fig 5

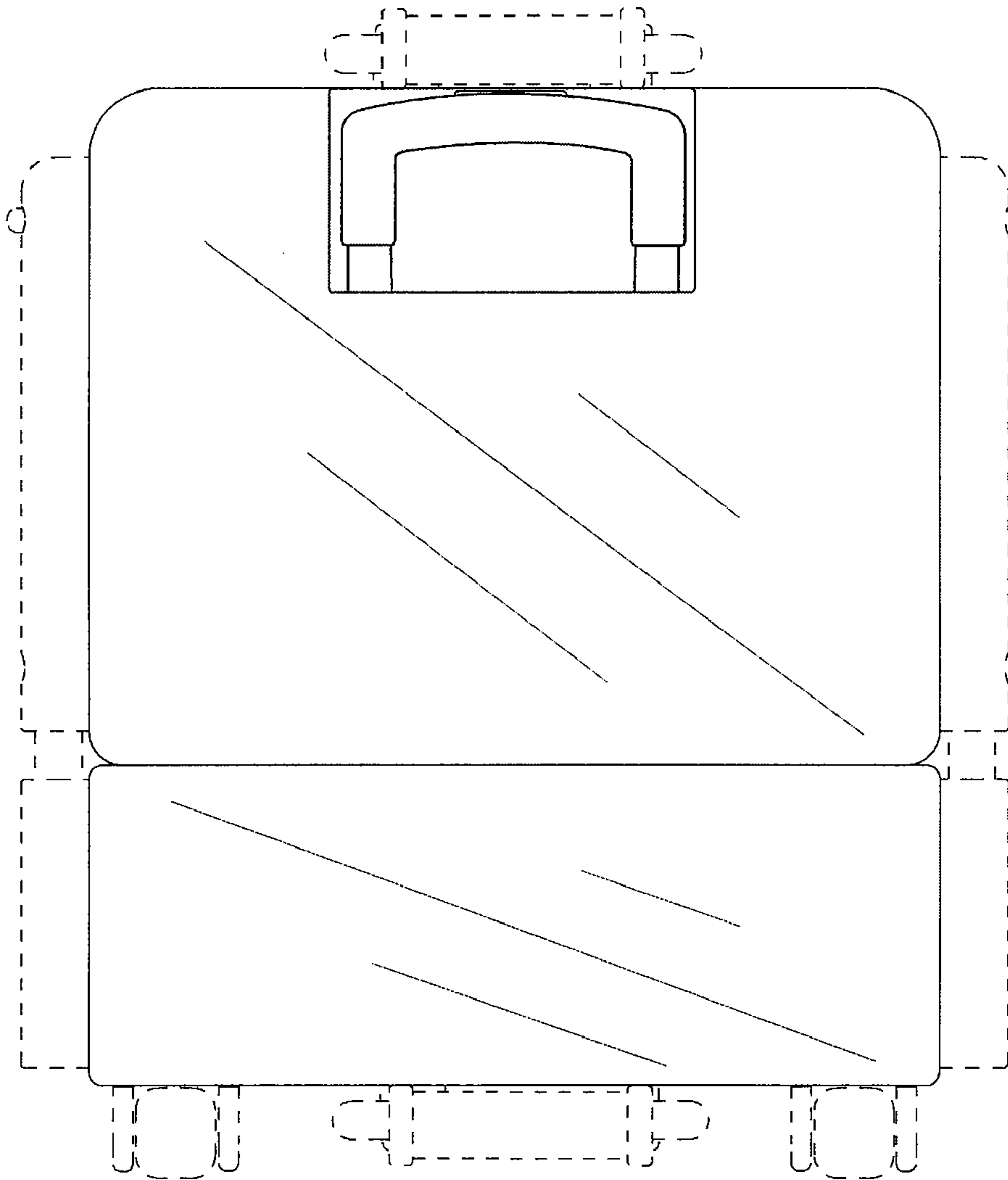


Fig 6

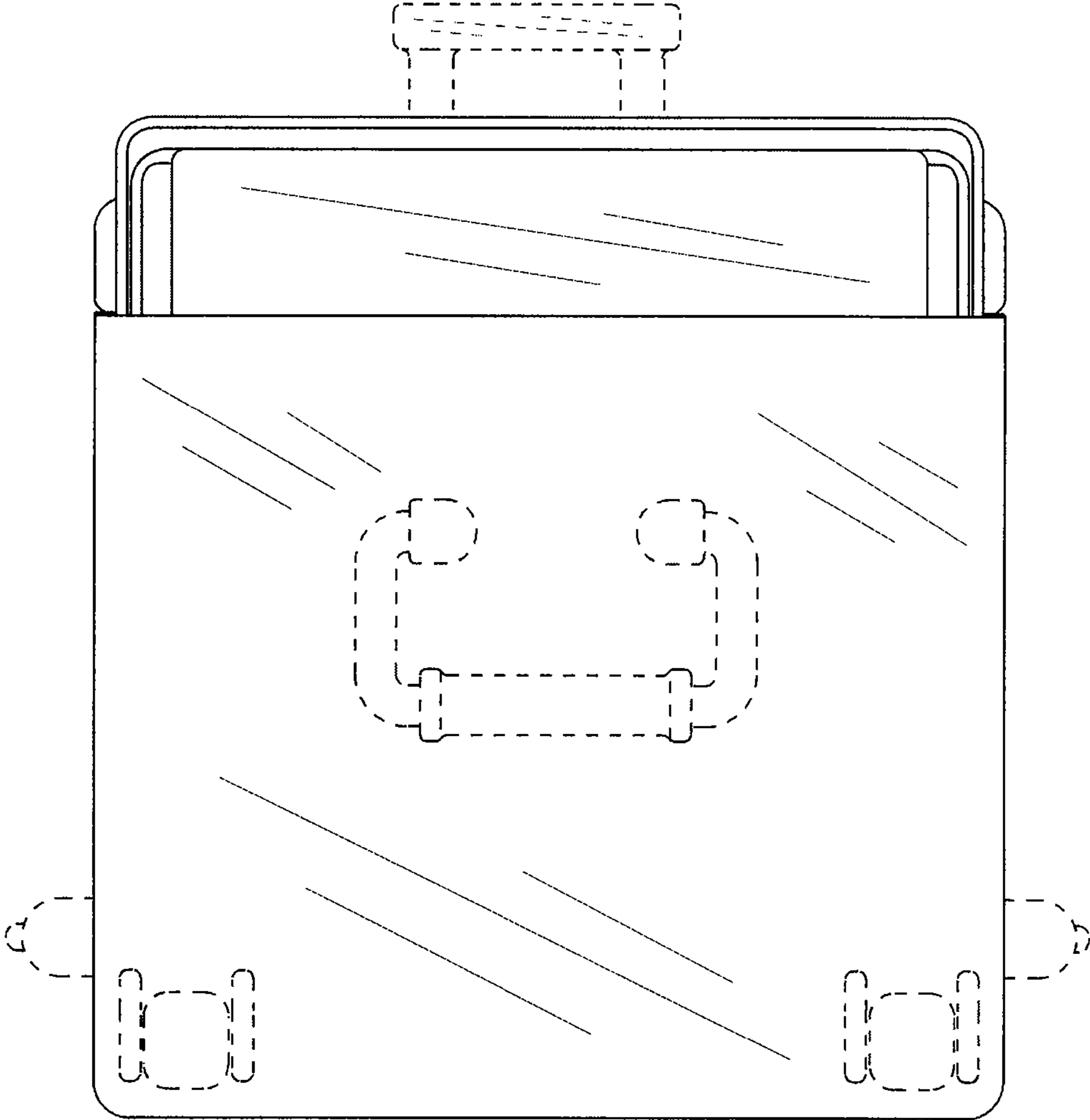


Fig 7

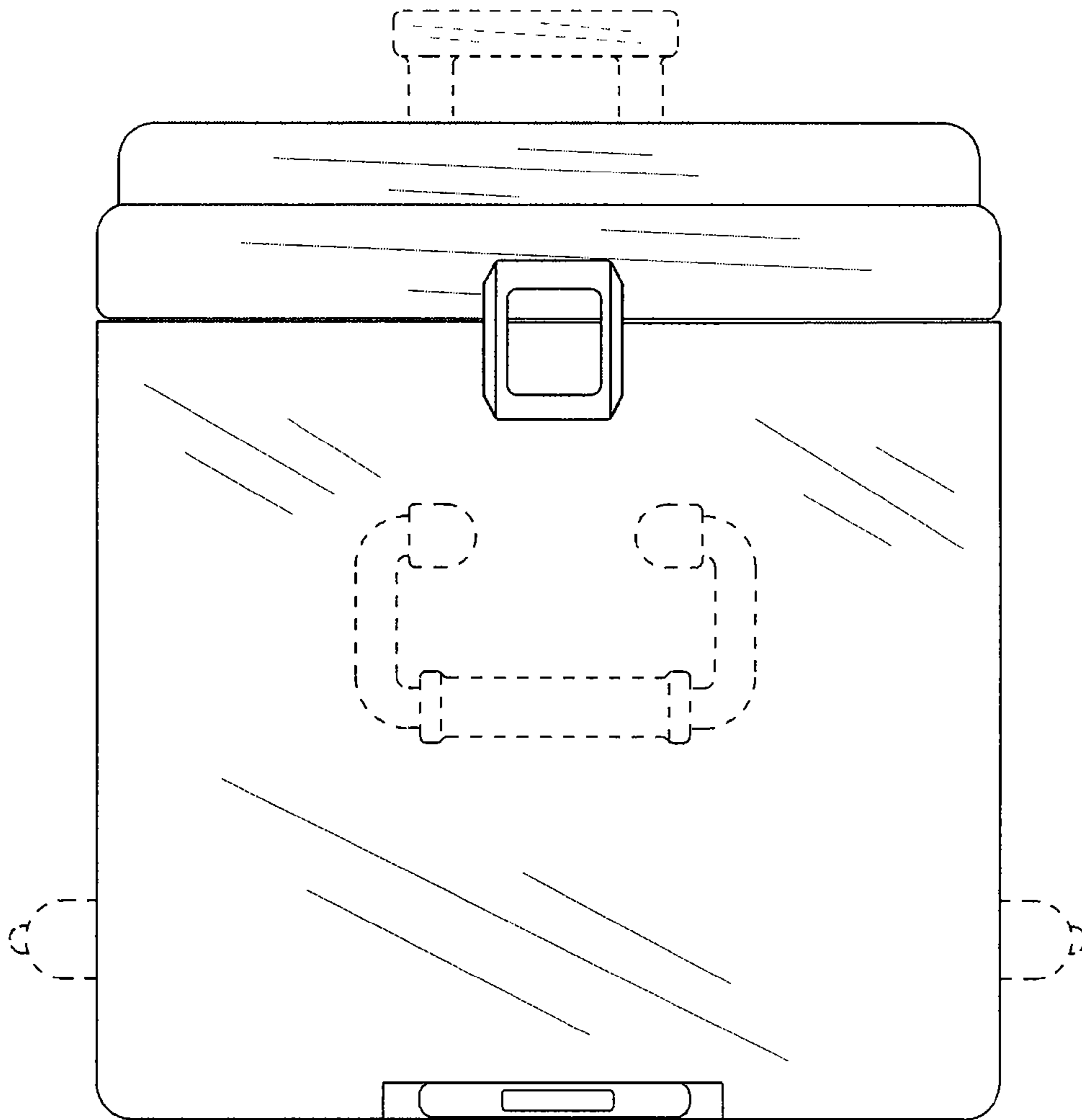


Fig 8

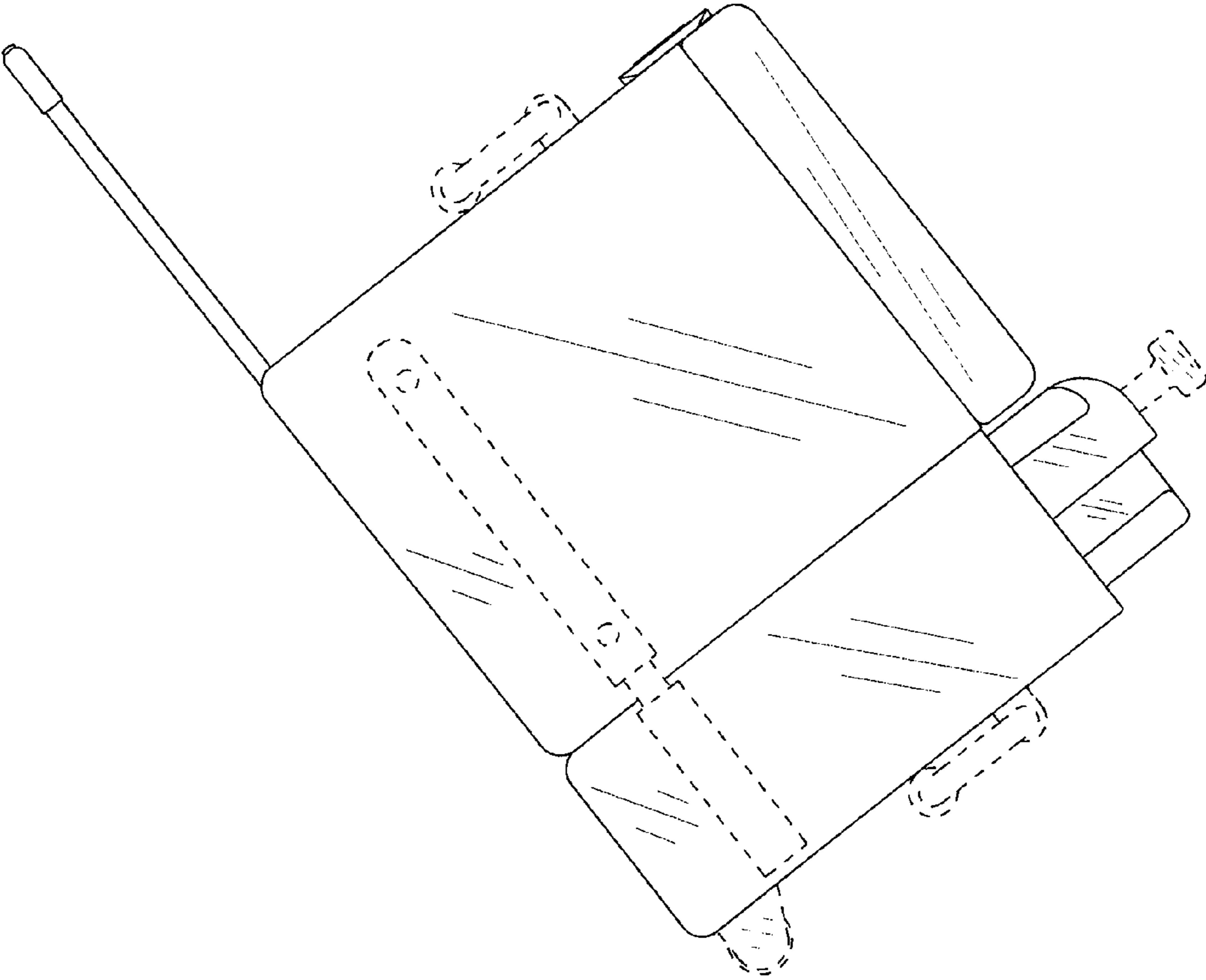


Fig 9

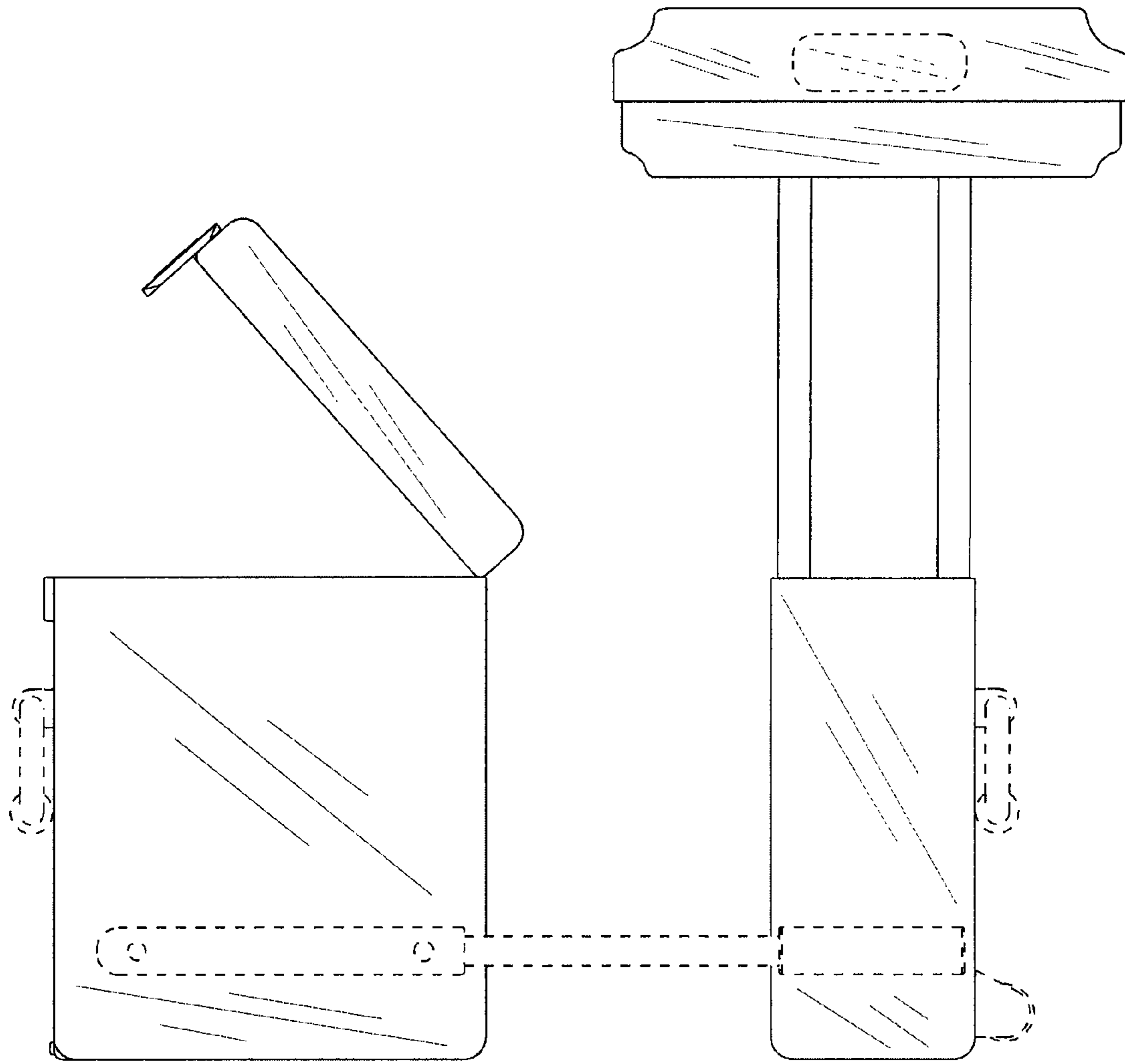


Fig 10

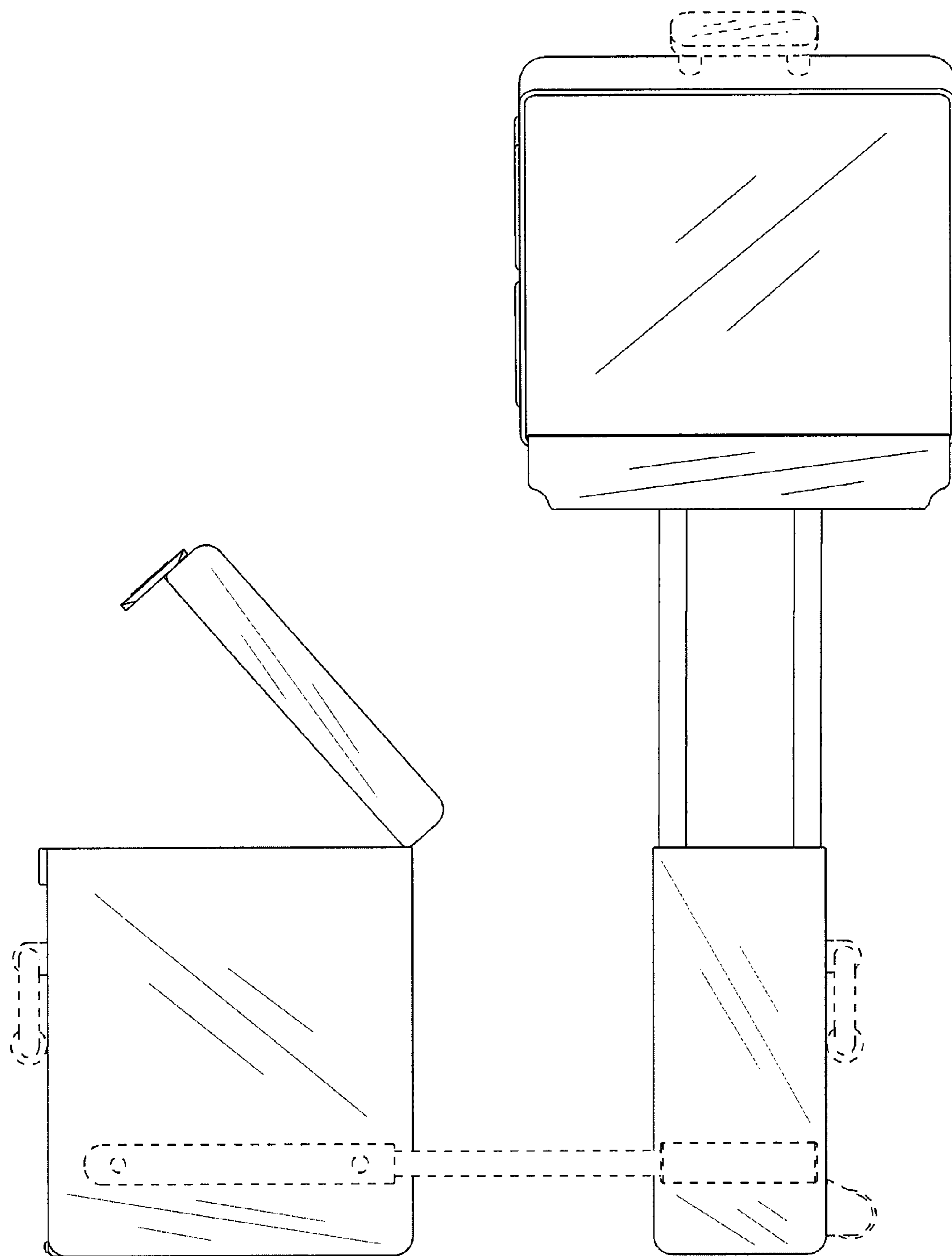


Fig 11