



US00D609058S

(12) **United States Design Patent**
Roth et al.

(10) **Patent No.:** **US D609,058 S**
(45) **Date of Patent:** **** Feb. 2, 2010**

(54) **CONTAINER**

(76) Inventors: **Donna Roth**, 10 Cordage Park Cir.,
Suite 212, Plymouth, MA (US) 02360;
Henry Roth, 10 Cordage Park Cir., Suite
212, Plymouth, MA (US) 02360

(**) Term: **14 Years**

(21) Appl. No.: **29/321,202**

(22) Filed: **Jul. 11, 2008**

(51) **LOC (9) Cl.** **07-01**

(52) **U.S. Cl.** **D7/602**

(58) **Field of Classification Search** D7/601,
D7/602, 629, 550.1, 553.1, 553.6-553.8,
D7/554.1, 554.2, 538-542; 220/212, 574-575,
220/592.01, 23.83, 912, 780-806; D9/424-432
See application file for complete search history.

(56) **References Cited**

U.S. PATENT DOCUMENTS

D285,638 S *	9/1986	Trivison	D7/557
D304,658 S *	11/1989	Mattei	D7/553.6
D312,026 S *	11/1990	Antoni et al.	D7/553.6
D326,743 S *	6/1992	Haynes	D7/553.6
D344,660 S *	3/1994	Krupa	D7/629
5,441,164 A *	8/1995	Beck et al.	220/575

(Continued)

Primary Examiner—Terry A Wallace

(74) *Attorney, Agent, or Firm*—Garcia-Zamor IP Law; Ruy M. Garcia-Zamor

(57) **CLAIM**

The ornamental design for a container, as shown and described.

DESCRIPTION

FIG. 1 is a perspective view of a container according to a first preferred embodiment of our new design;

FIG. 2 is a front elevational view of the container of FIG. 1;

FIG. 3 is a left side elevational view of the container of FIG. 1, the right side elevational view being a mirror image of FIG. 3;

FIG. 4 is a top plan view of the container of FIG. 1;

FIG. 5 is a rear elevational view of the container of FIG. 1;

FIG. 6 is a bottom plan view of the container of FIG. 1;

FIG. 7 is a perspective view of a container according to a second preferred embodiment of our new design;

FIG. 8 is a front elevational view of the container of FIG. 7;

FIG. 9 is a left side elevational view of the container of FIG. 7, the right side elevational view being a mirror image of FIG. 9;

FIG. 10 is a top plan view of the container of FIG. 7;

FIG. 11 is a rear elevational view of the container of FIG. 7;

FIG. 12 is a bottom plan view of the container of FIG. 7;

FIG. 13 is a perspective view of a container according to a third preferred embodiment of our new design;

FIG. 14 is a front elevational view of the container of FIG. 13;

FIG. 15 is a left side elevational view of the container of FIG. 13, the right side elevational view being a mirror image of FIG. 15;

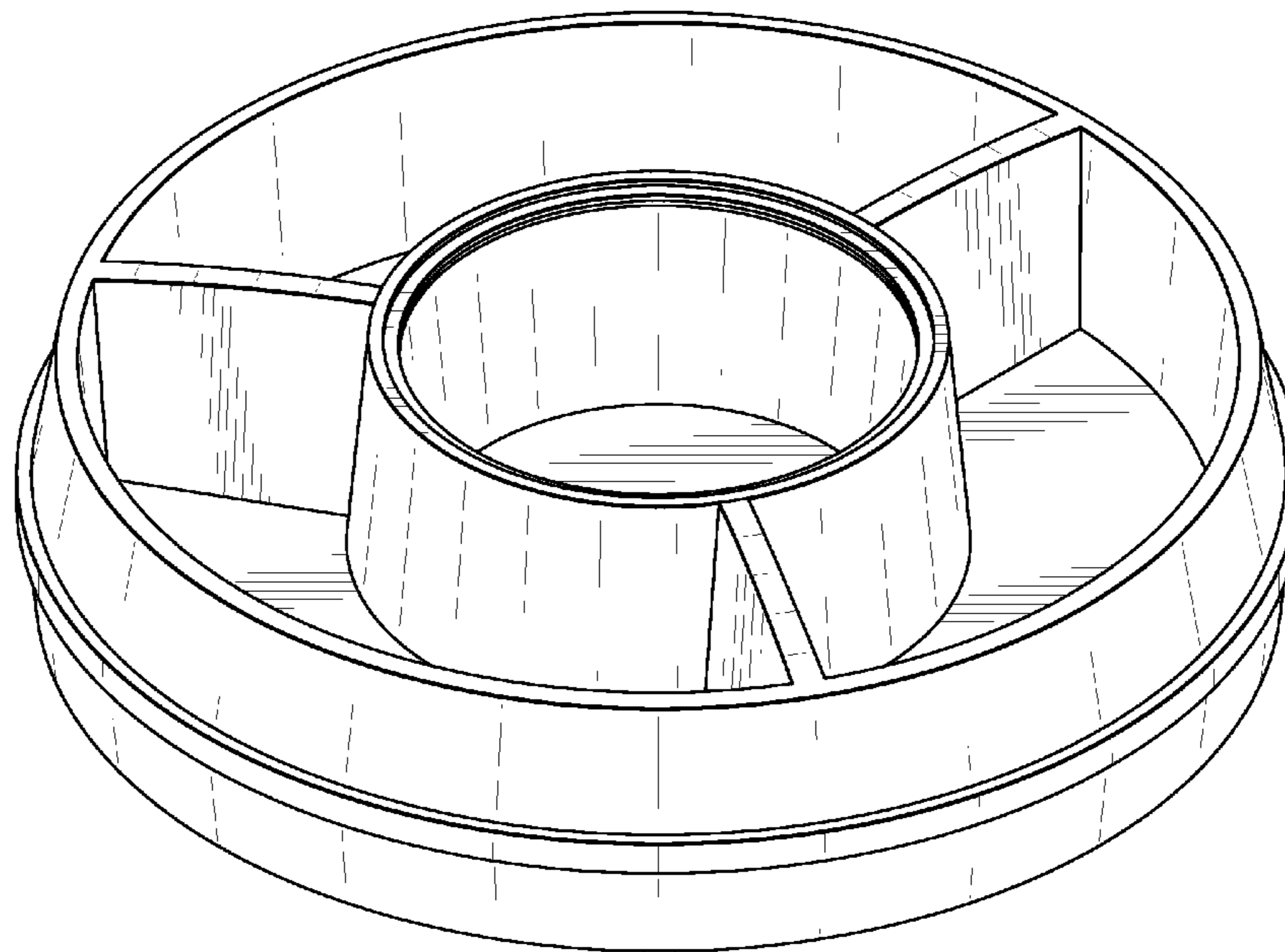
FIG. 16 is a top plan view of the container of FIG. 13;

FIG. 17 is a rear elevational view of the container of FIG. 13; and,

FIG. 18 is a bottom plan view of the container of FIG. 13.

The dashed lines in FIGS. 1-18 represent environment and are for illustrative purposes only and do not constitute part of the claimed design.

1 Claim, 9 Drawing Sheets



US D609,058 S

Page 2

U.S. PATENT DOCUMENTS

5,960,982 A *	10/1999	Perlis et al.	220/574	D486,991 S *	2/2004	Lee	D7/357
D449,966 S *	11/2001	DeMars	D7/555	6,783,017 B2 *	8/2004	Griffin	220/212
6,550,630 B1 *	4/2003	Krupa	220/575	2007/0062965 A1 *	3/2007	Anderson et al.	220/912

* cited by examiner

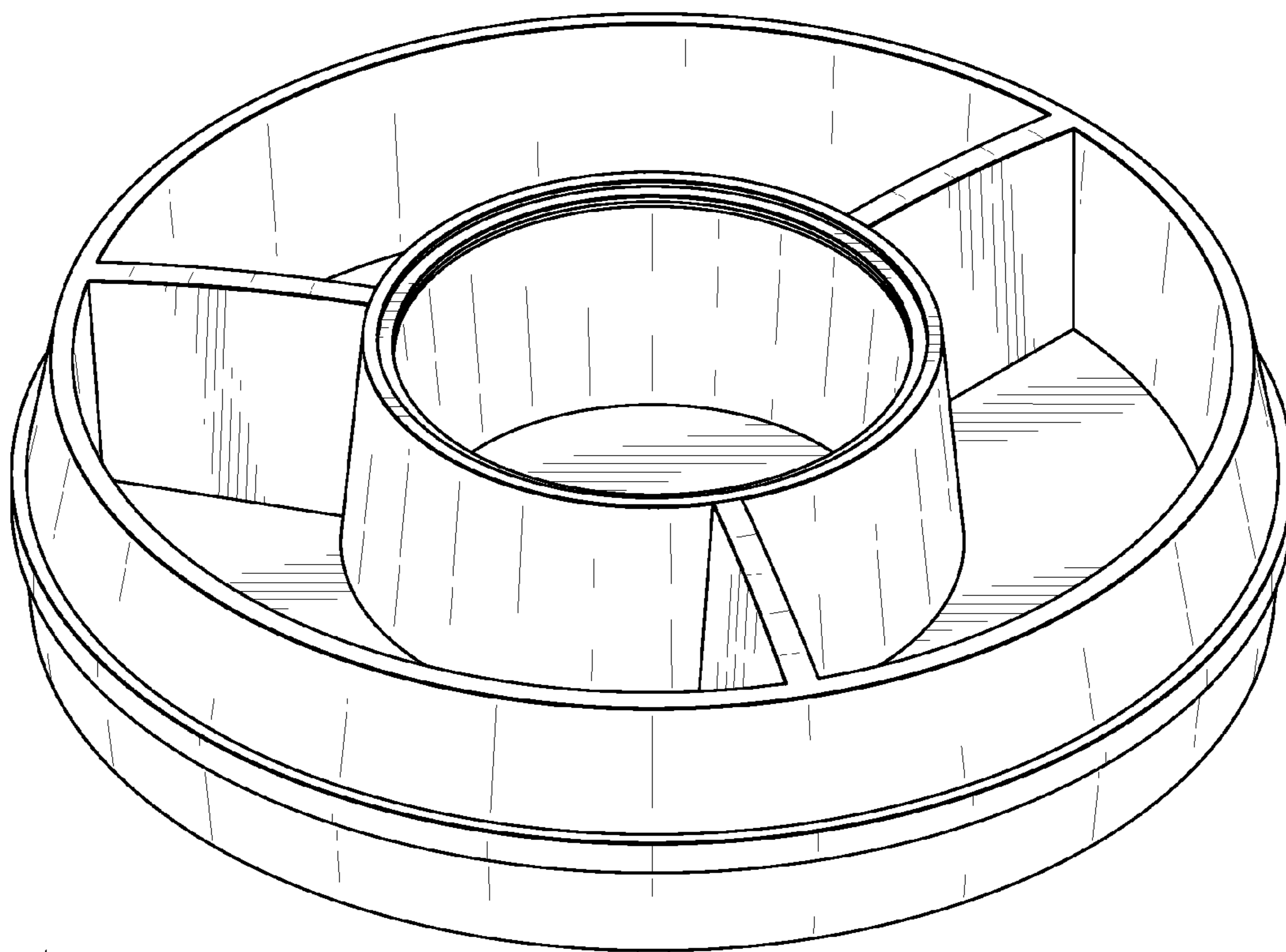


FIG. 1

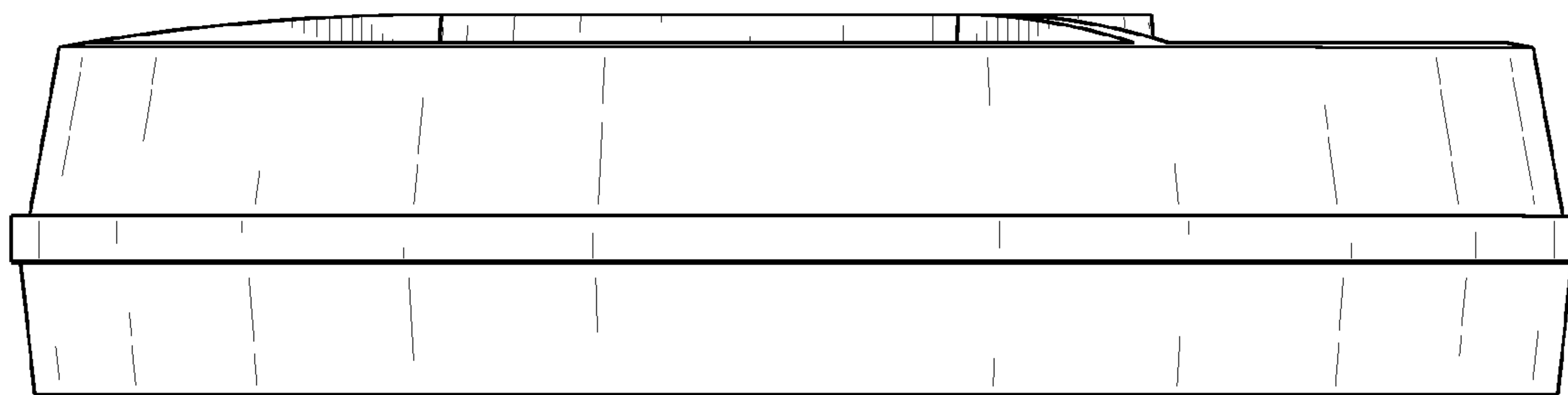


FIG. 2

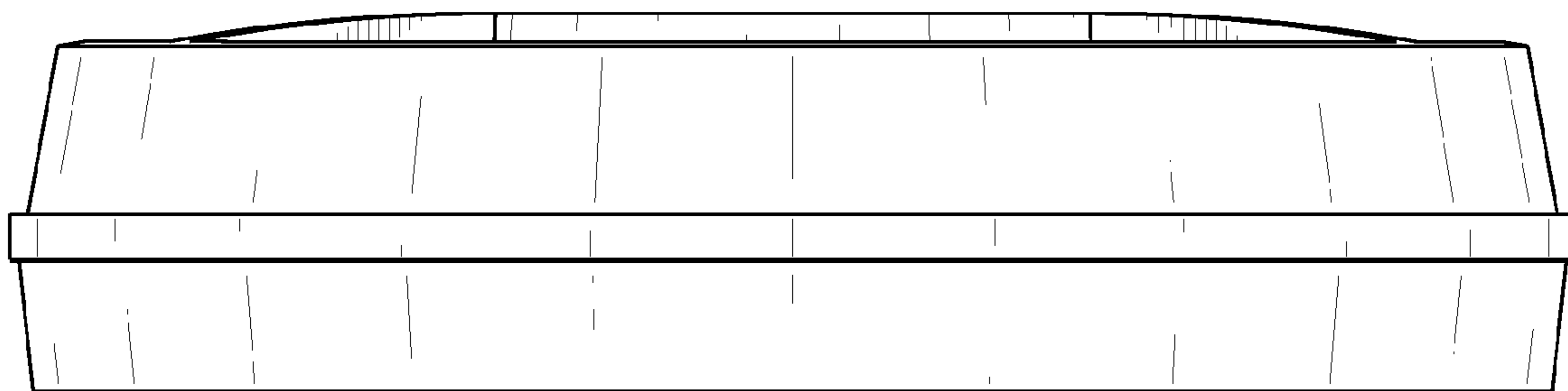


FIG. 3

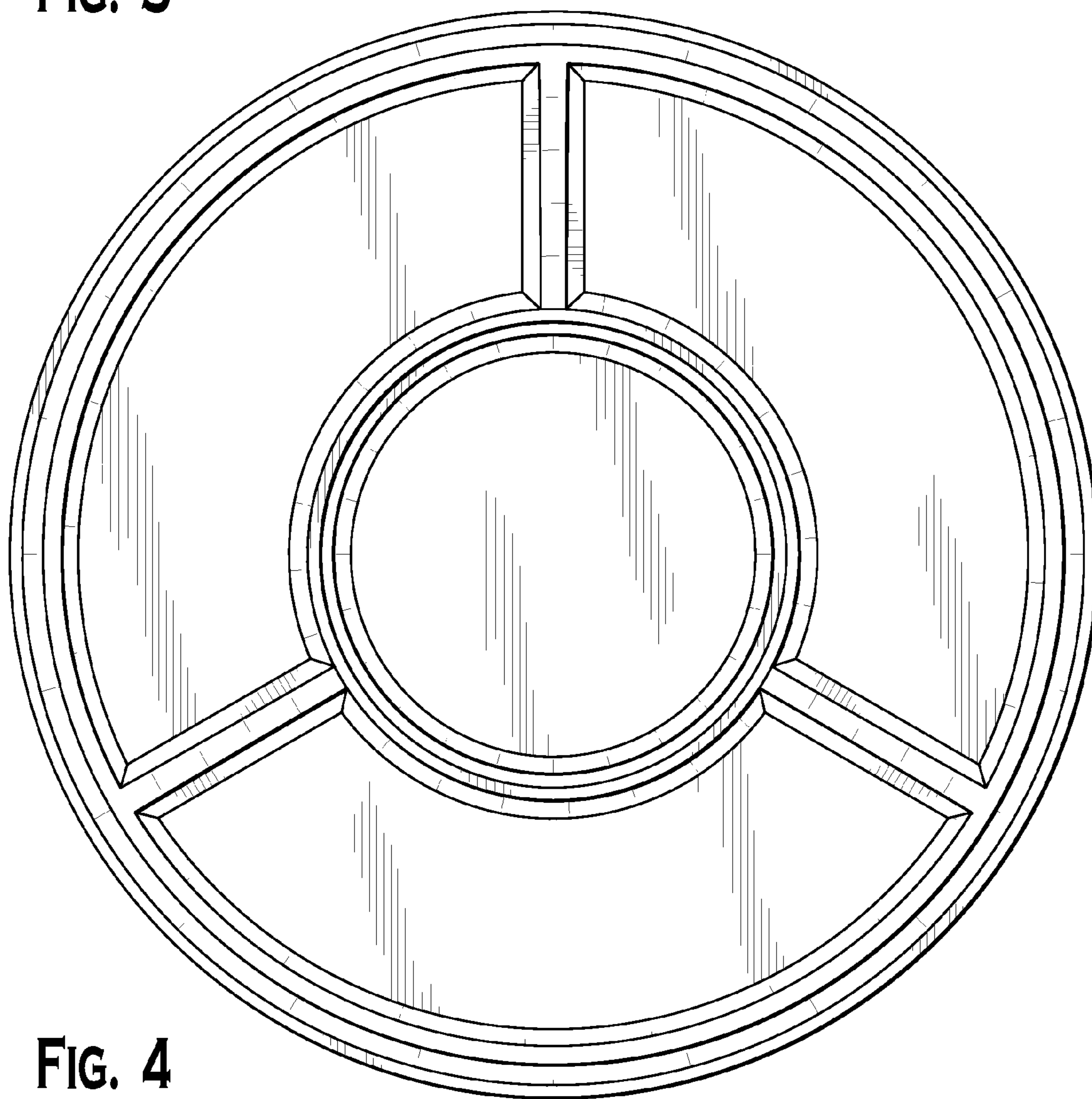


FIG. 4

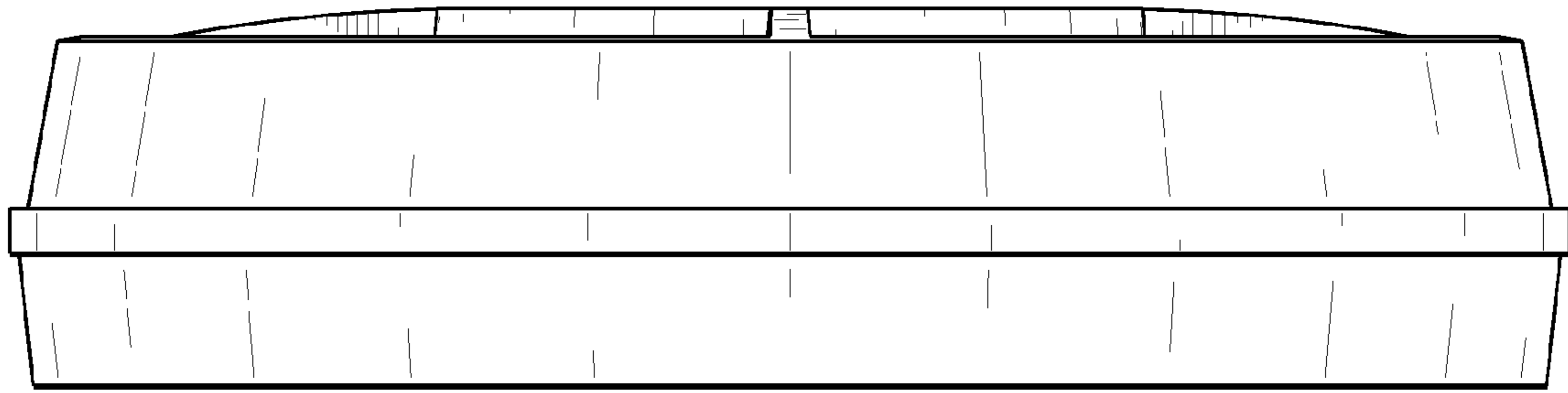


FIG. 5

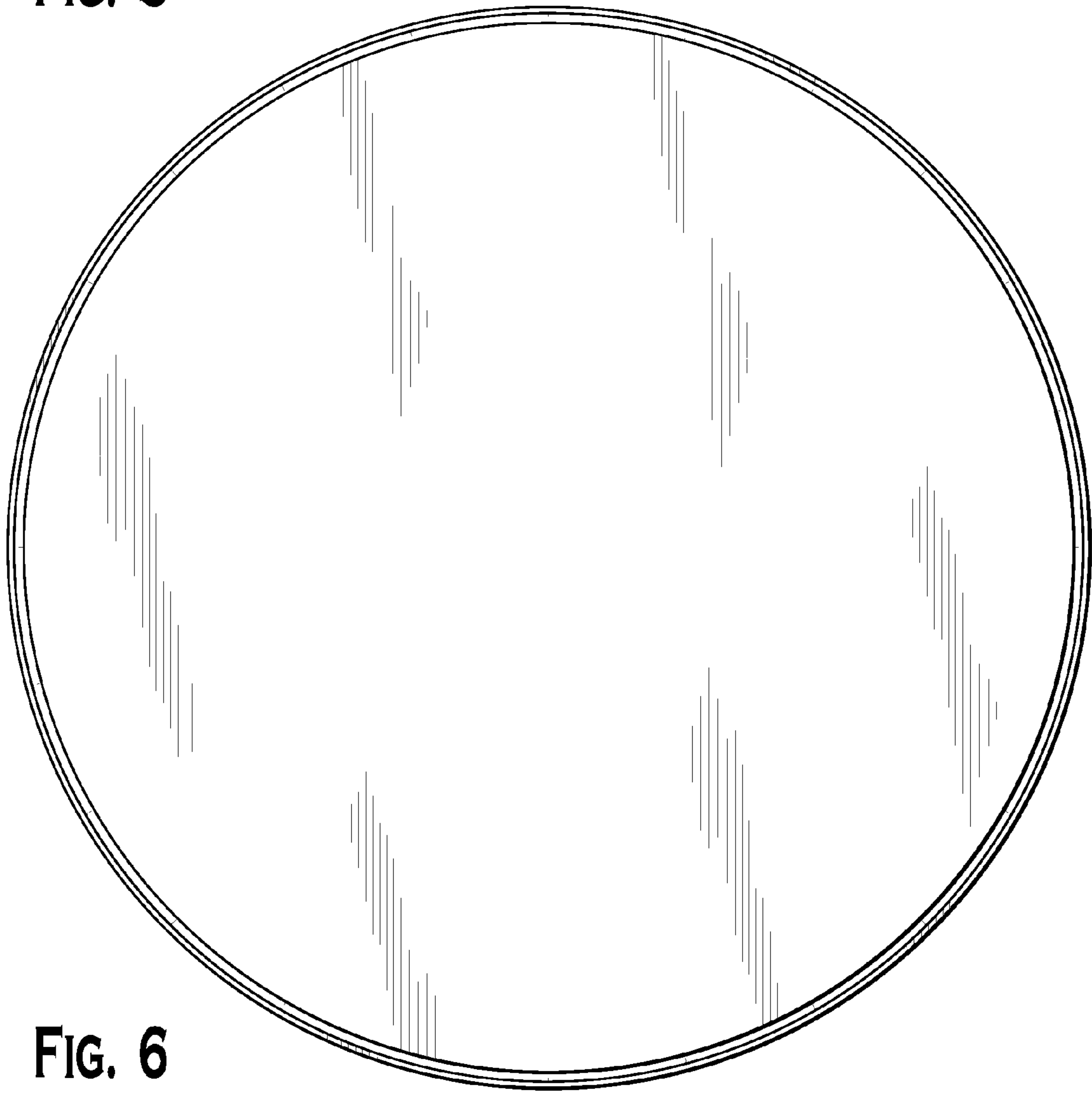


FIG. 6

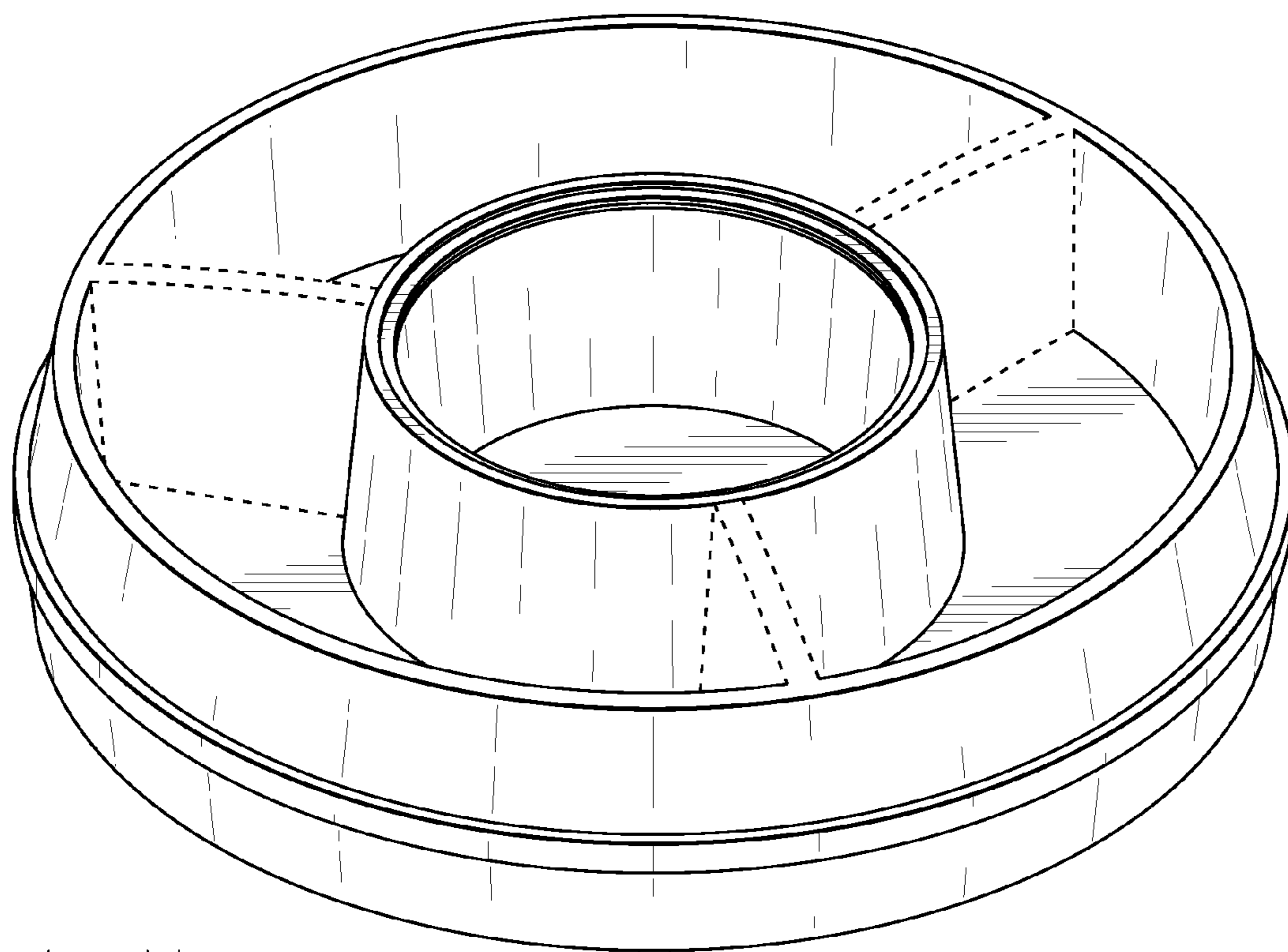


FIG. 7



FIG. 8

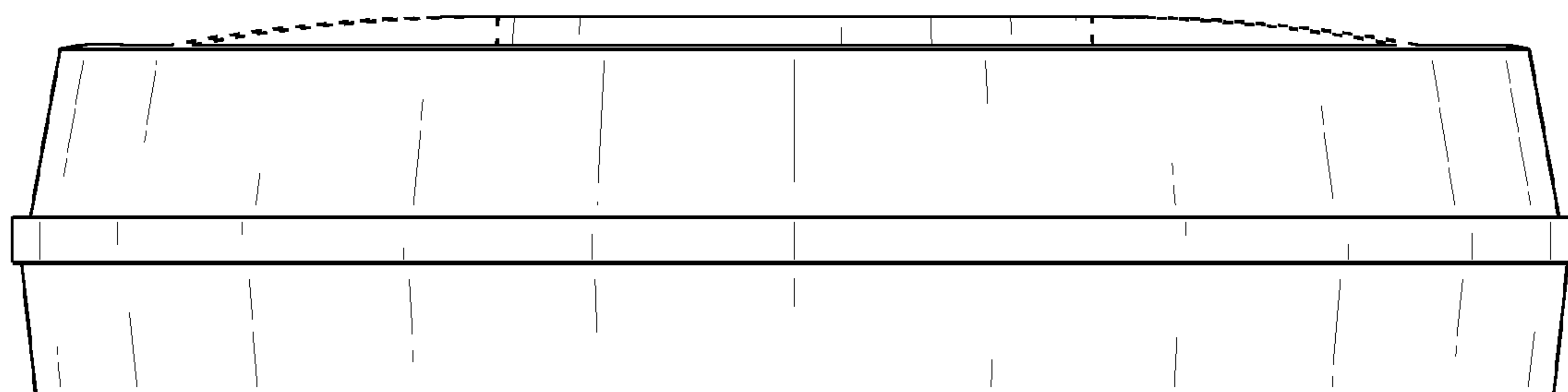


FIG. 9

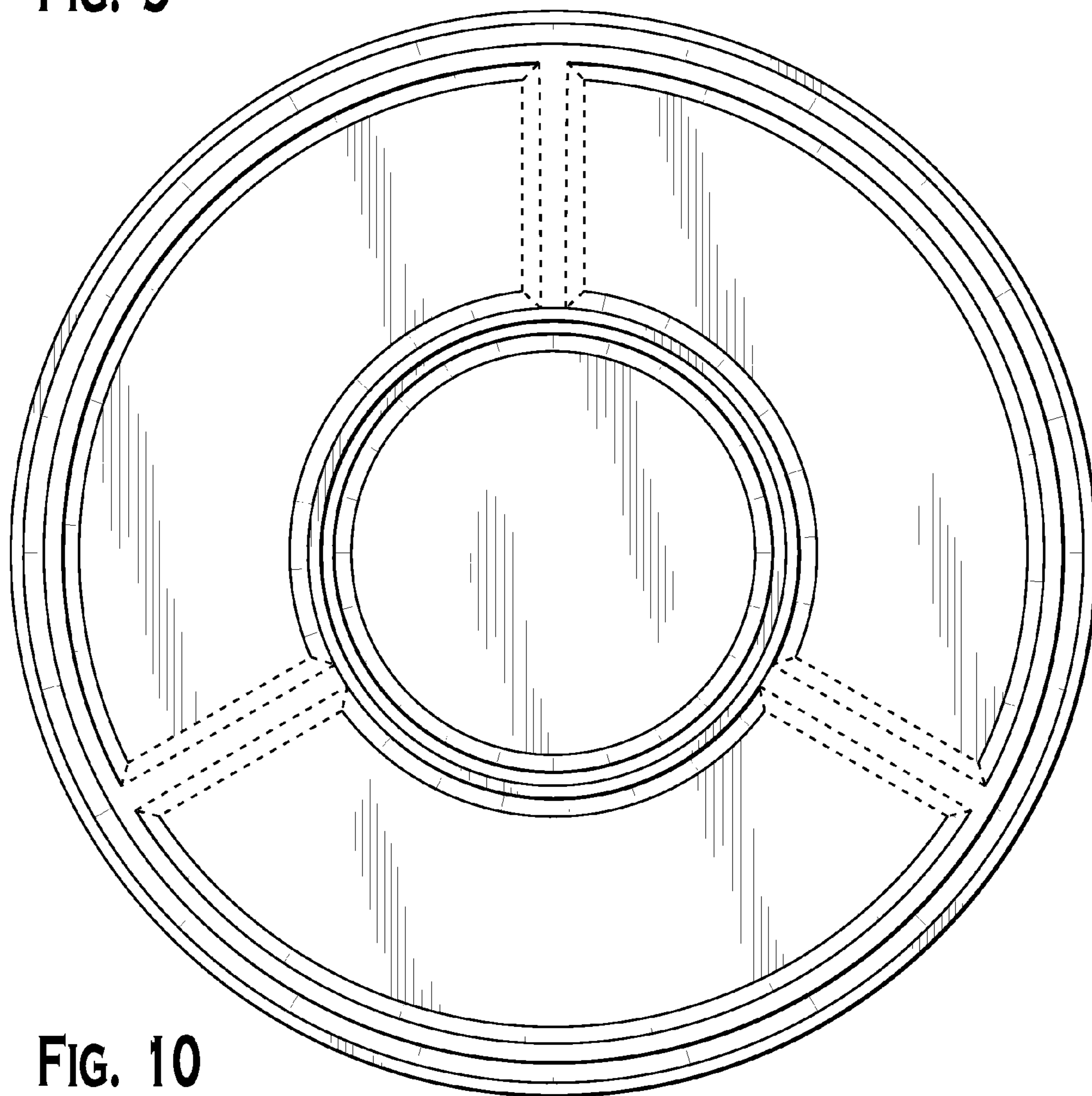


FIG. 10

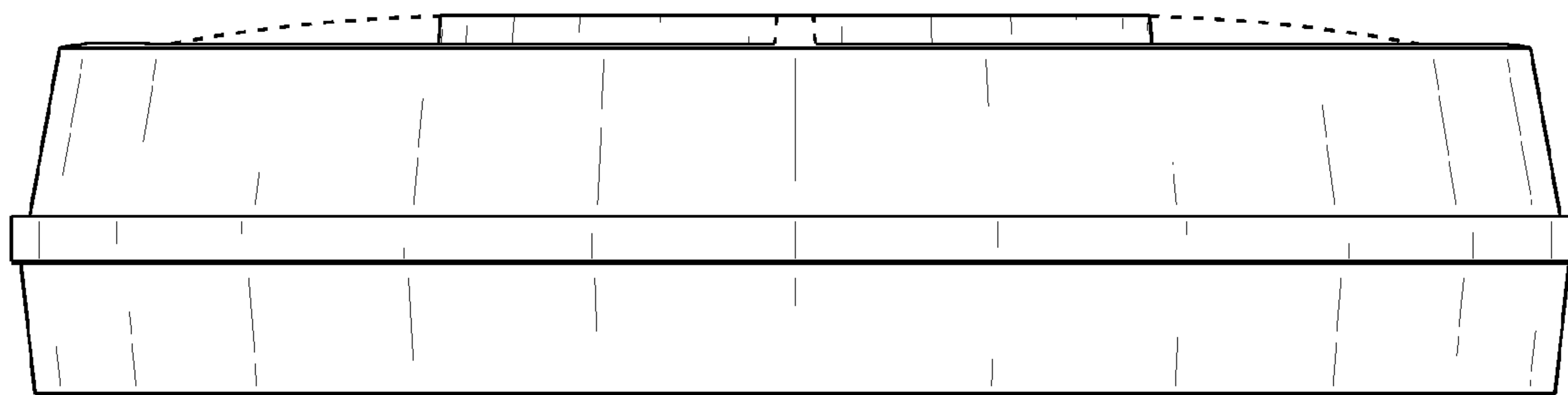


FIG. 11

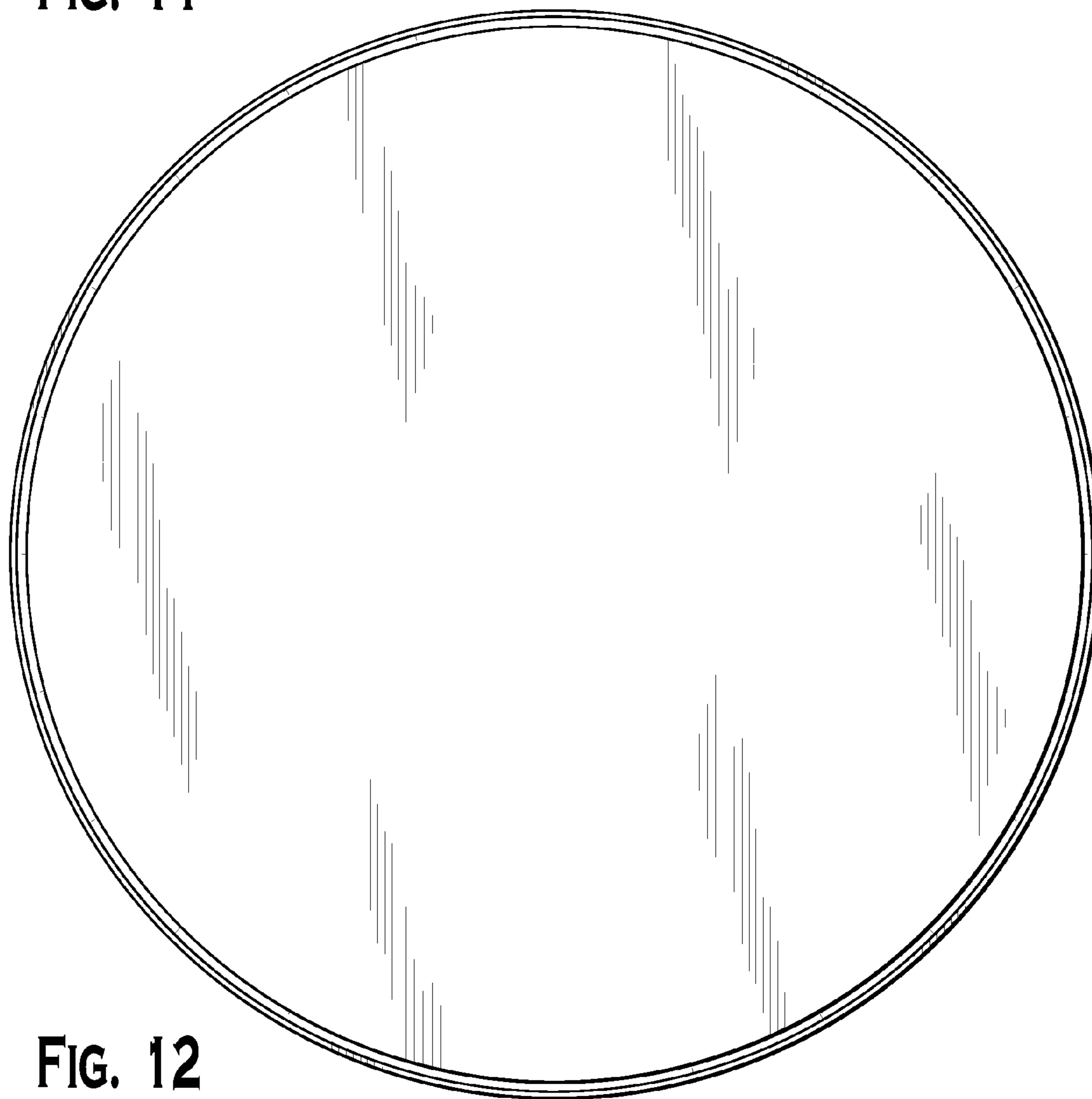


FIG. 12

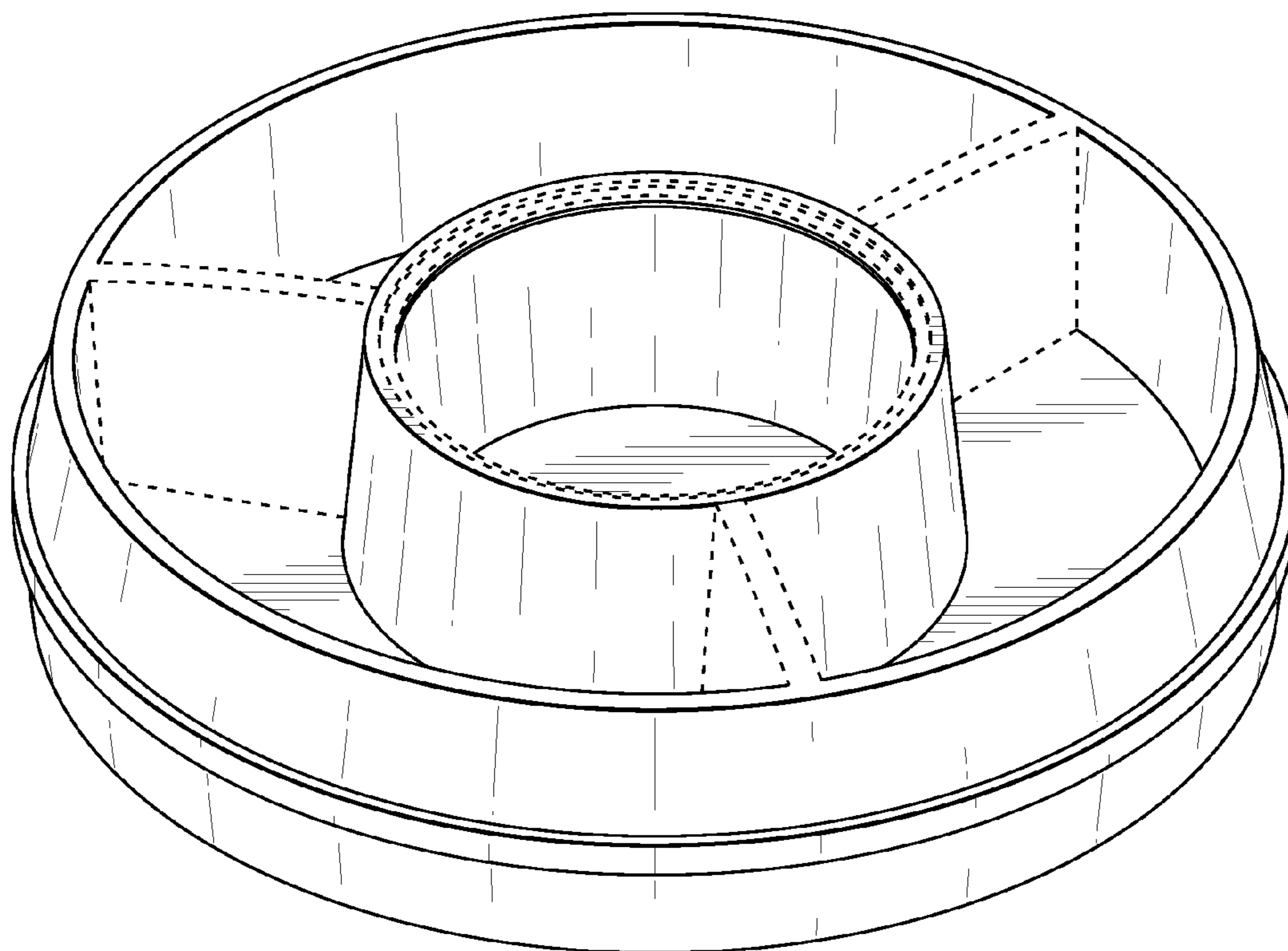


FIG. 13

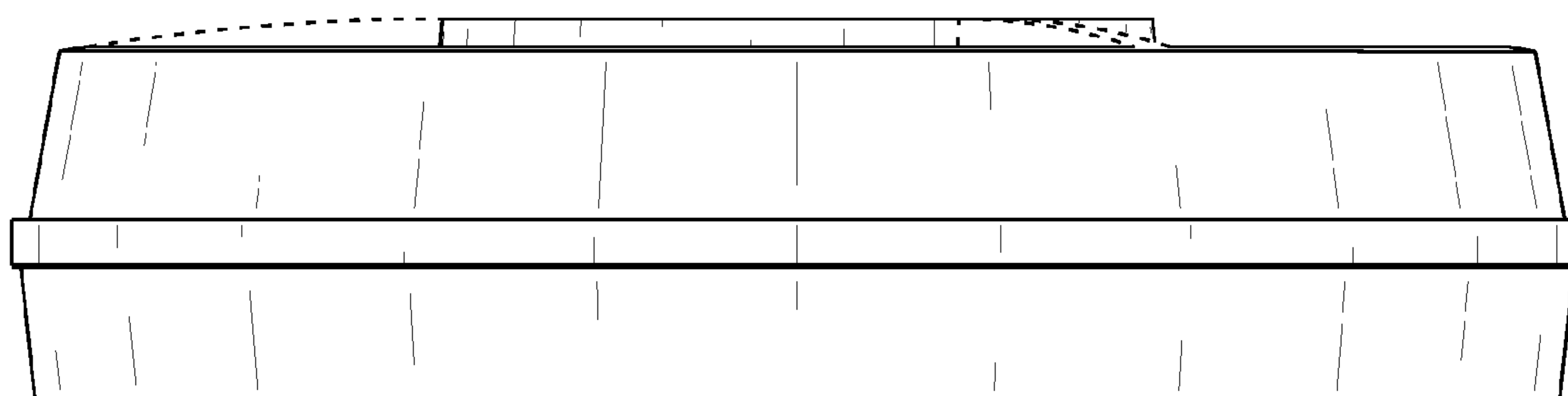


FIG. 14



FIG. 15

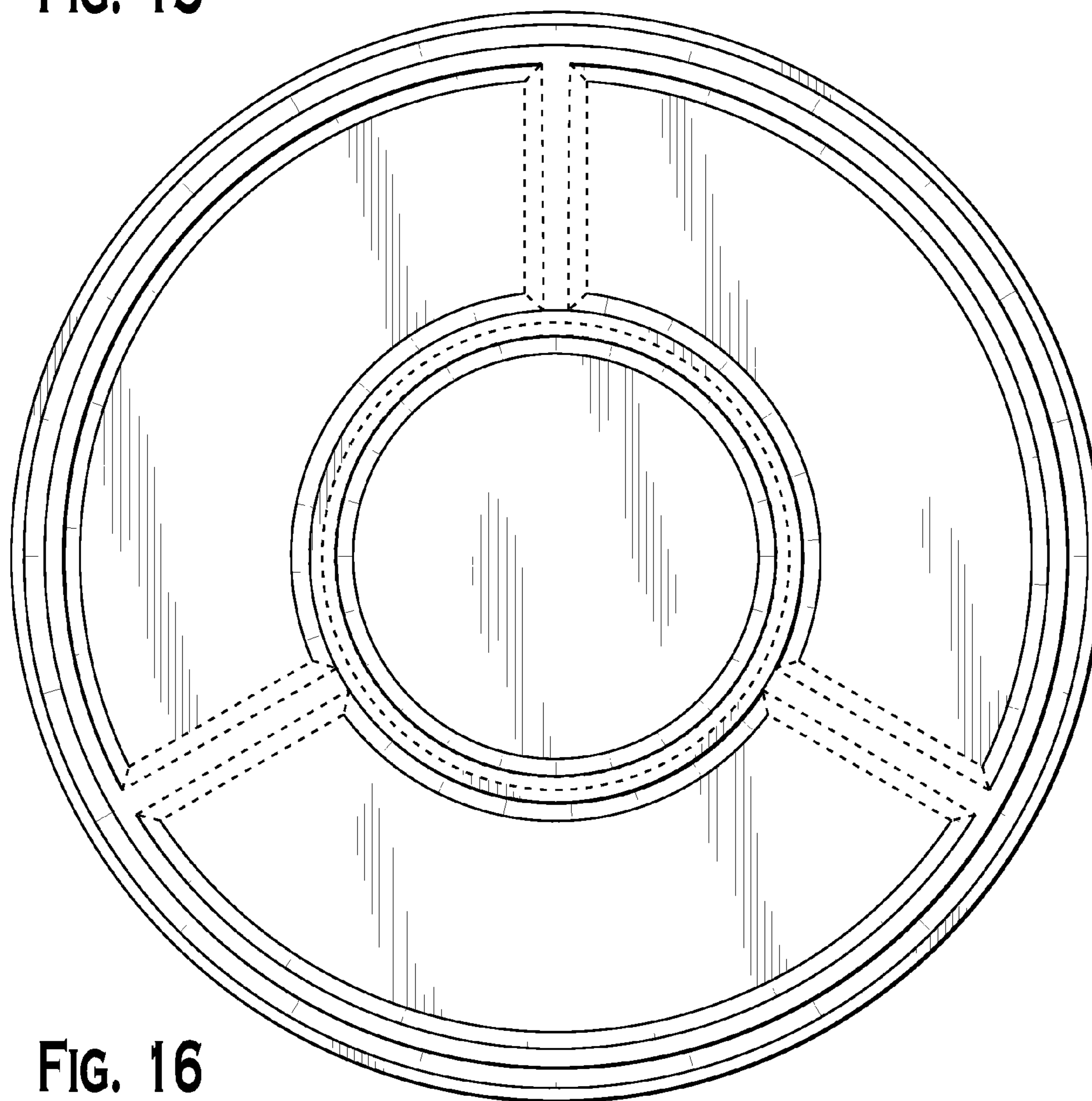


FIG. 16

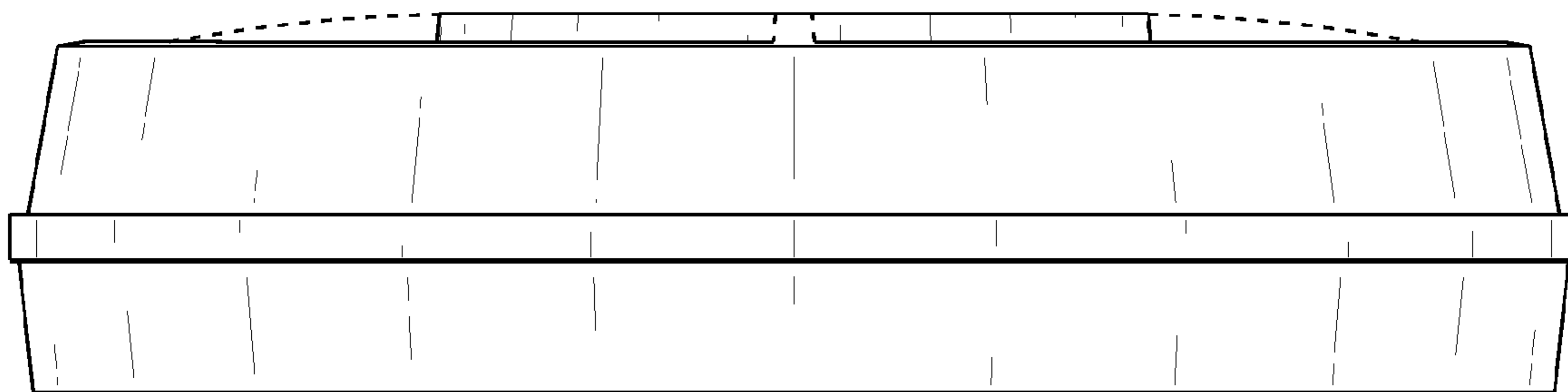


FIG. 17

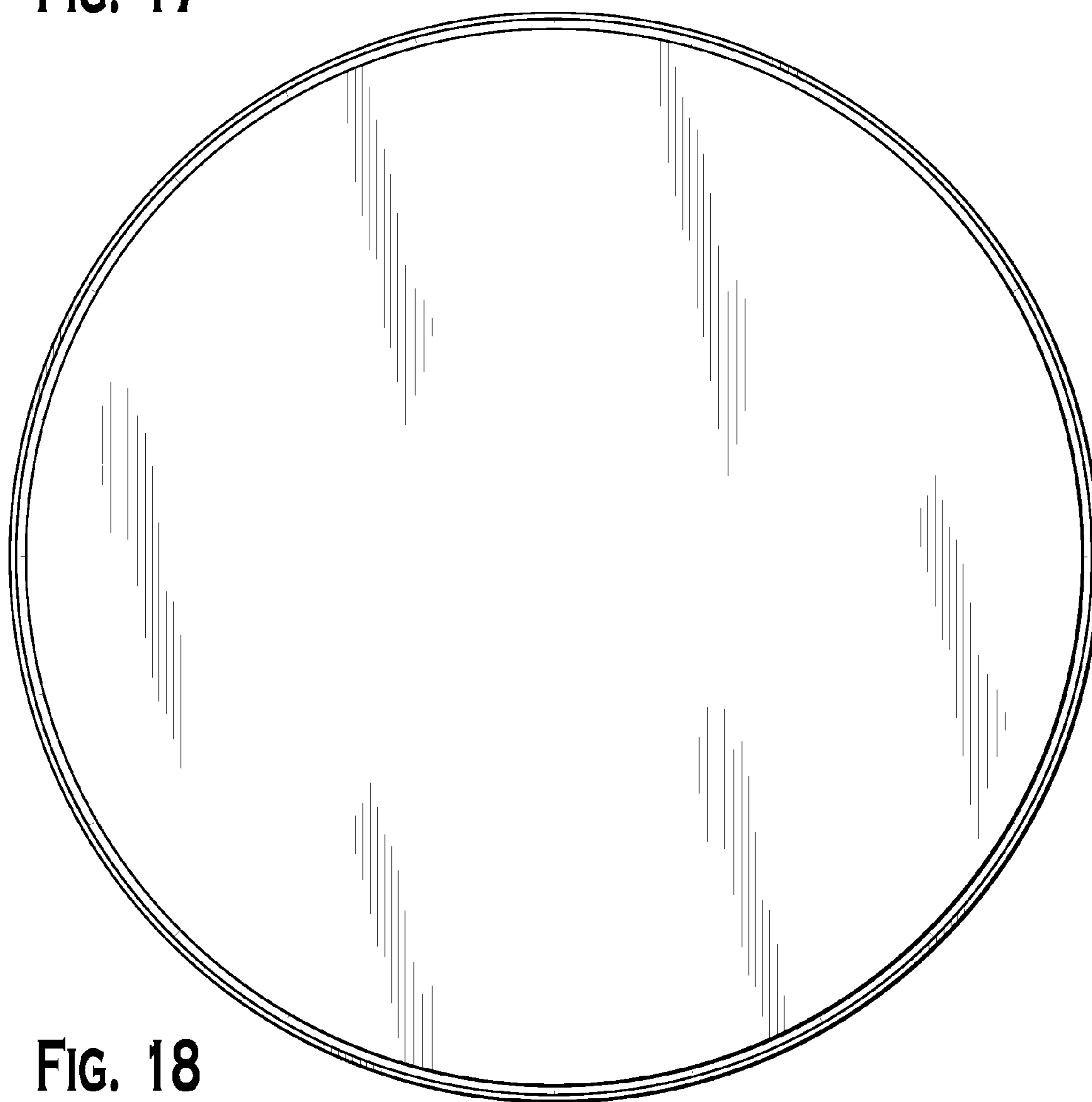


FIG. 18