



US00D609056S

(12) **United States Design Patent**
Pierce

(10) **Patent No.:** **US D609,056 S**

(45) **Date of Patent:** **** Feb. 2, 2010**

(54) **DEEP DISH CONDIMENT TRAY**

(76) Inventor: **Michael Bernard Pierce**, 7105
Medicine Lake Rd., Minneapolis, MN
(US) 55427

(**) Term: **14 Years**

(21) Appl. No.: **29/315,620**

(22) Filed: **Jul. 10, 2009**

(51) **LOC (9) Cl.** **07-01**

(52) **U.S. Cl.** **D7/541; D7/538**

(58) **Field of Classification Search** D7/387,
D7/538, 388, 500, 541, 550.1, 396.1, 629,
D7/545, 560, 392.1, 542, 586, 554.2, 553.2,
D7/553.5, 553.8; 220/6, 337, 662, 665, 839,
220/366.1; 206/508, 815; D9/761, 421,
D9/432, 428

See application file for complete search history.

(56) **References Cited**

U.S. PATENT DOCUMENTS

3,563,370 A * 2/1971 Nozette et al. 220/788
D255,658 S * 7/1980 Dugan et al. D9/425
4,235,338 A * 11/1980 Dugan et al. 206/443
4,366,903 A * 1/1983 Gaiser et al. 206/387.15
D268,379 S * 3/1983 Dishell D6/631
D305,841 S * 2/1990 MacQueen D6/475
D332,204 S * 1/1993 Carlson D7/629

D351,957 S * 11/1994 Bumb D6/475
6,386,381 B2 * 5/2002 Csiszar 220/4.03
D469,974 S * 2/2003 Scribner D6/407
D553,011 S * 10/2007 Nouvel et al. D9/761
D593,803 S * 6/2009 Olsson D7/550.1

* cited by examiner

Primary Examiner—Robert M Spear

Assistant Examiner—Cynthia Underwood

(74) *Attorney, Agent, or Firm*—Hugh D. Jaeger

(57) **CLAIM**

The ornamental design for a deep dish condiment tray, as shown.

DESCRIPTION

FIG. 1 is a front view of a deep dish condiment tray showing my new design;

FIG. 2 is a back view thereof;

FIG. 3 is a top view thereof;

FIG. 4 is a left side view thereof;

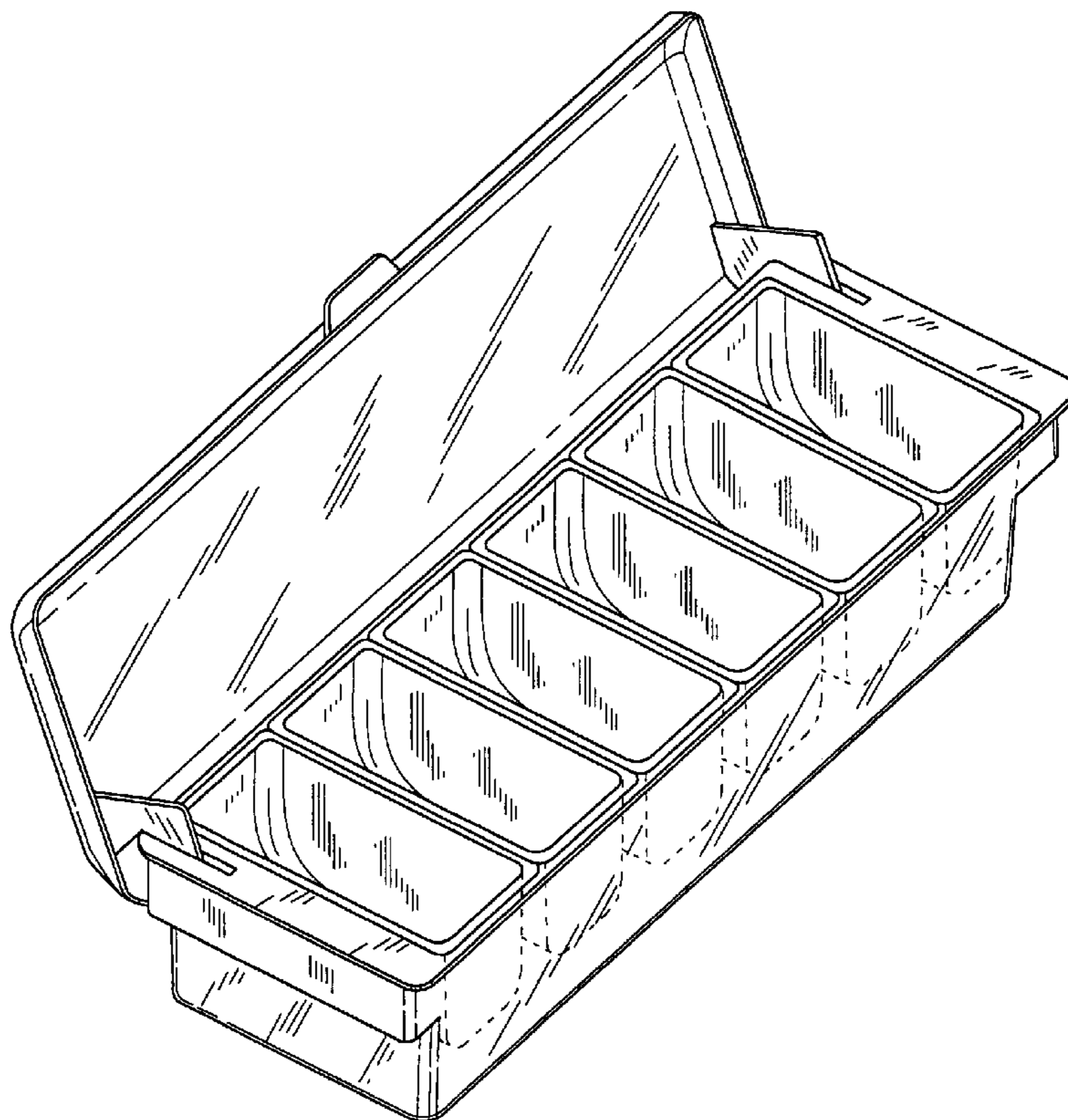
FIG. 5 is a right side view thereof;

FIG. 6 is a bottom view thereof; and,

FIG. 7 is an isometric view thereof.

The broken lines represent portions of the structure that form no part of the claim.

1 Claim, 7 Drawing Sheets



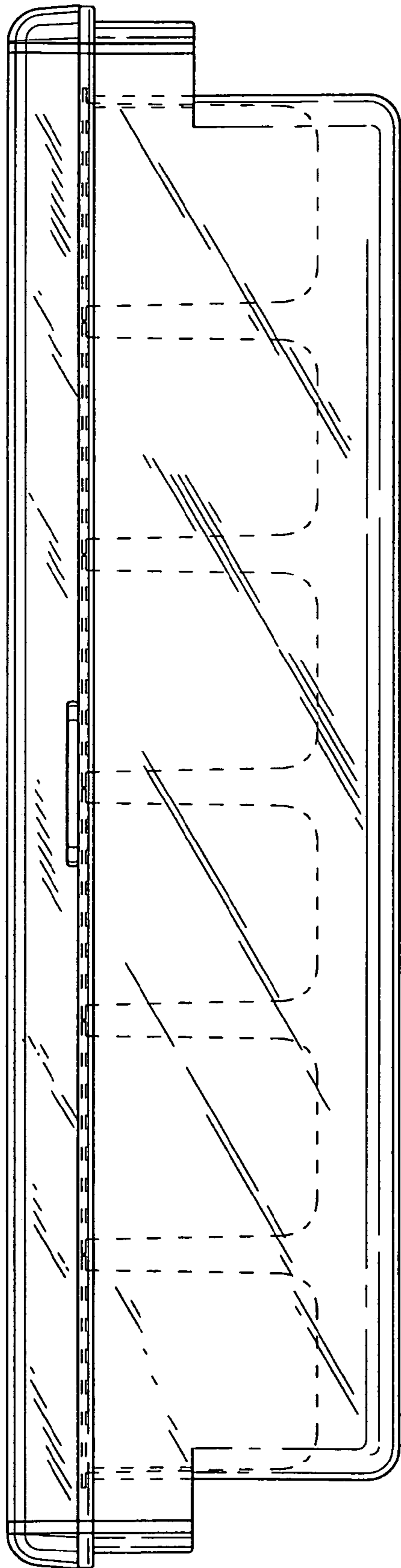


FIG. 1

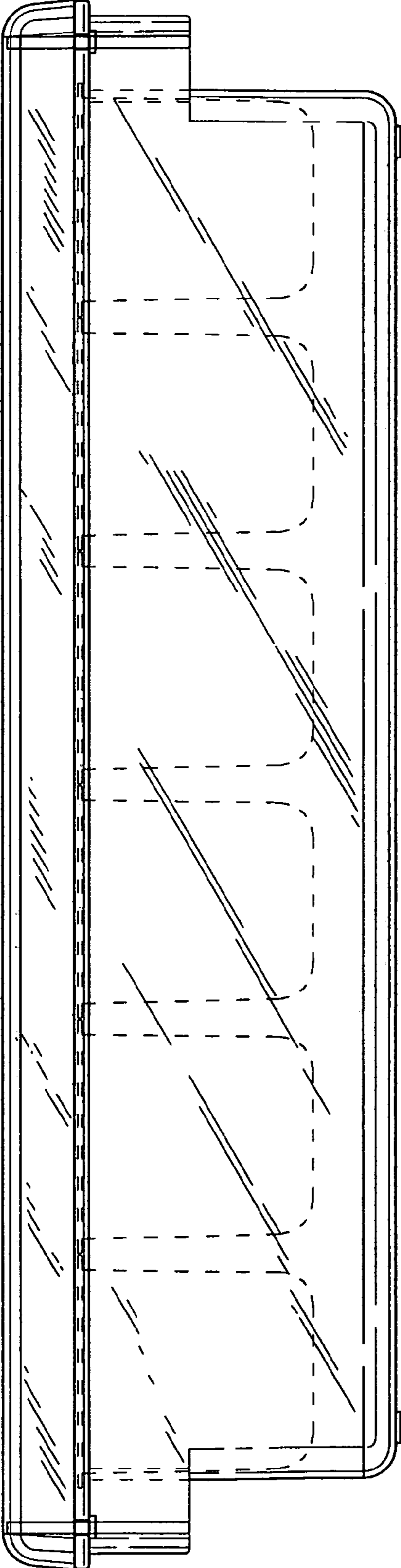


FIG. 2

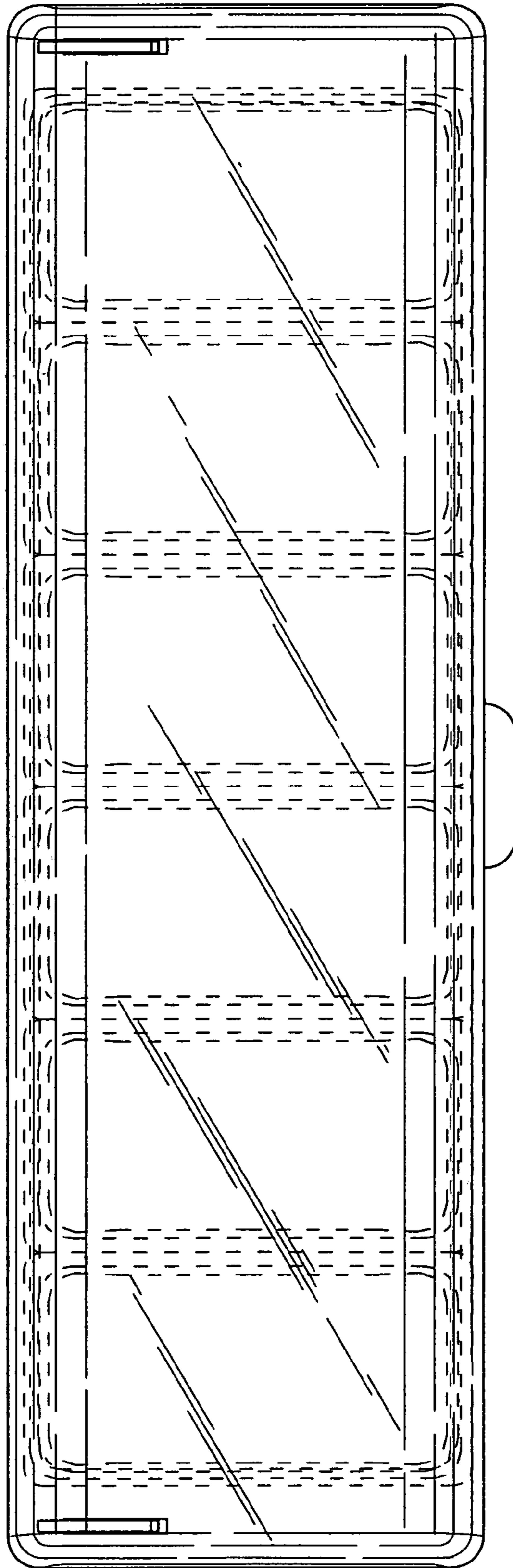


FIG. 3

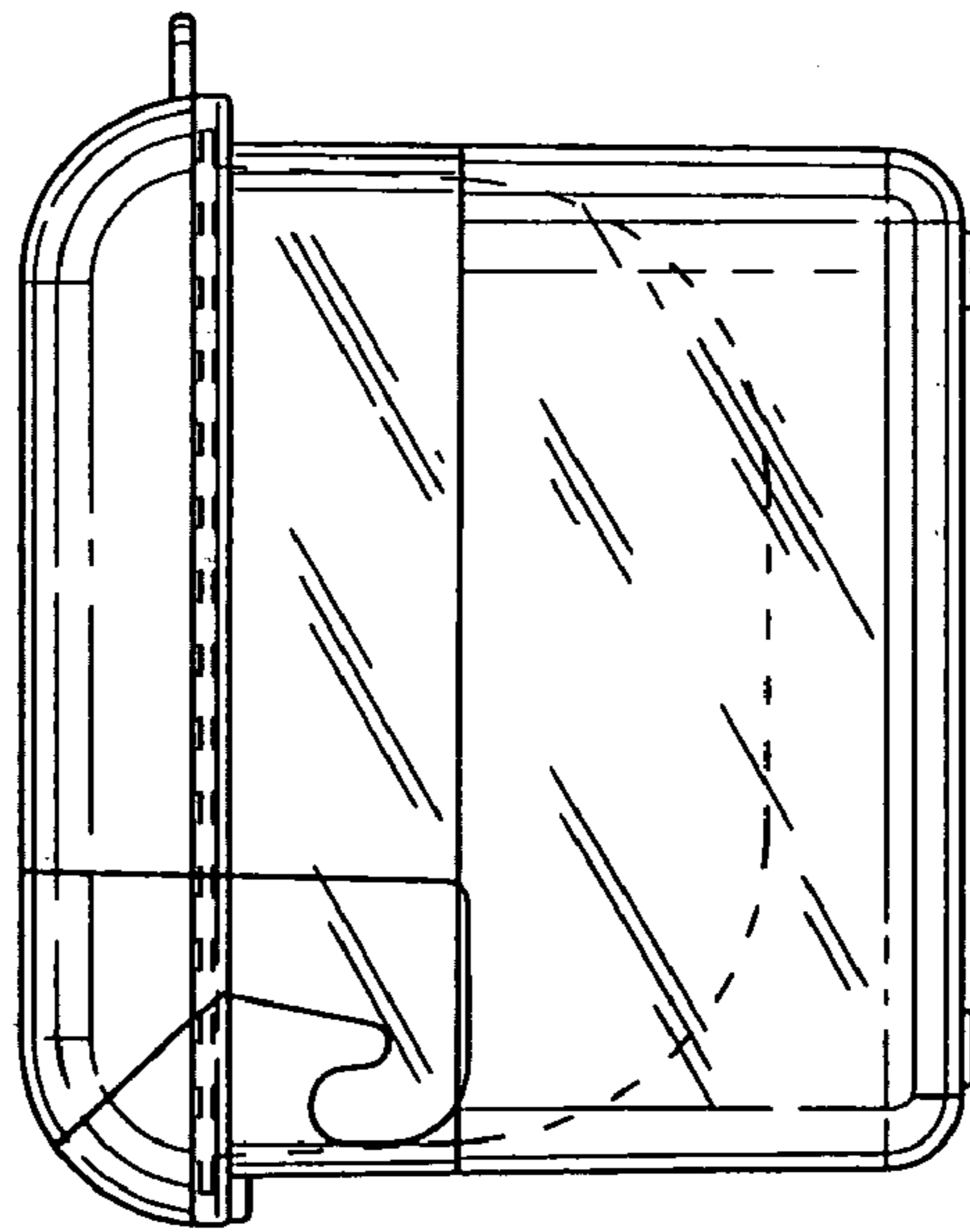


FIG. 4

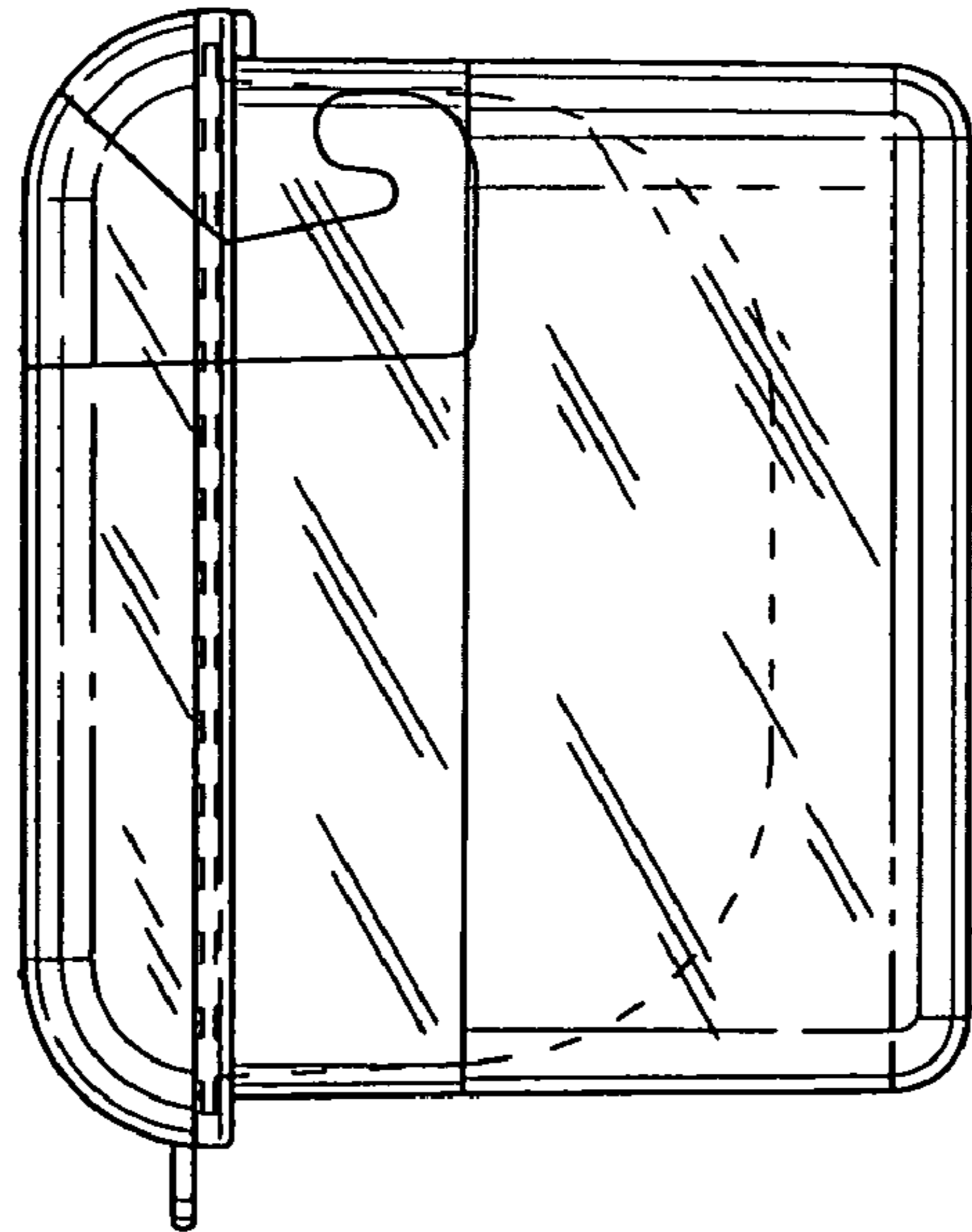


FIG. 5

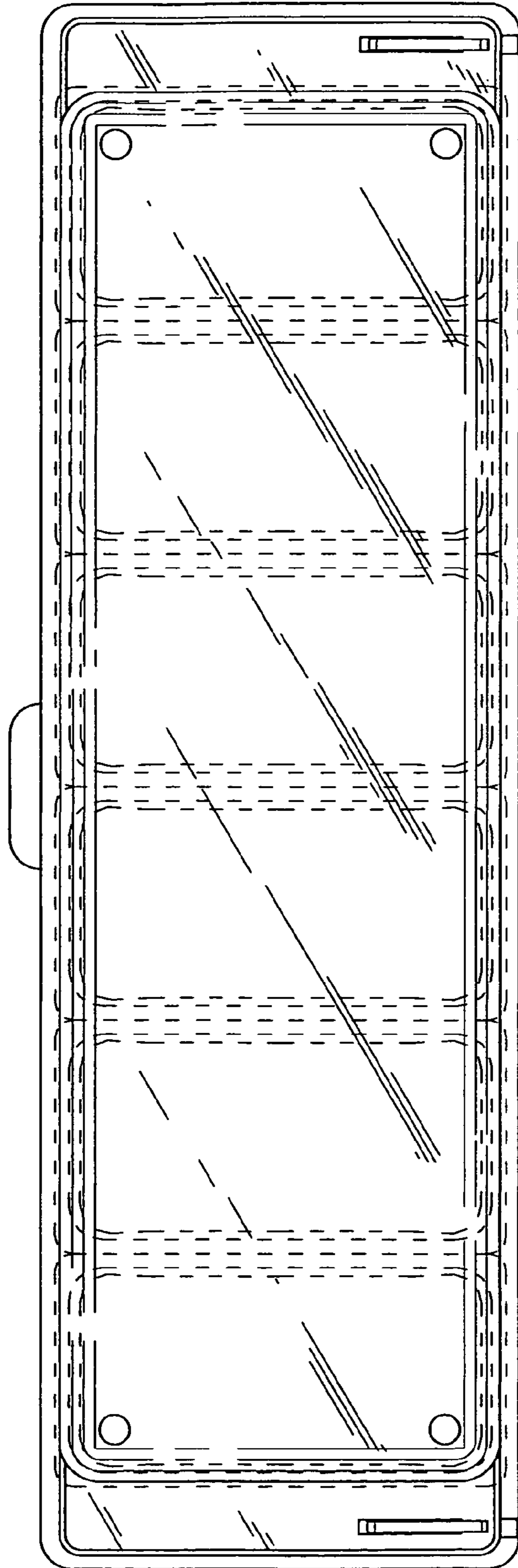


FIG. 6

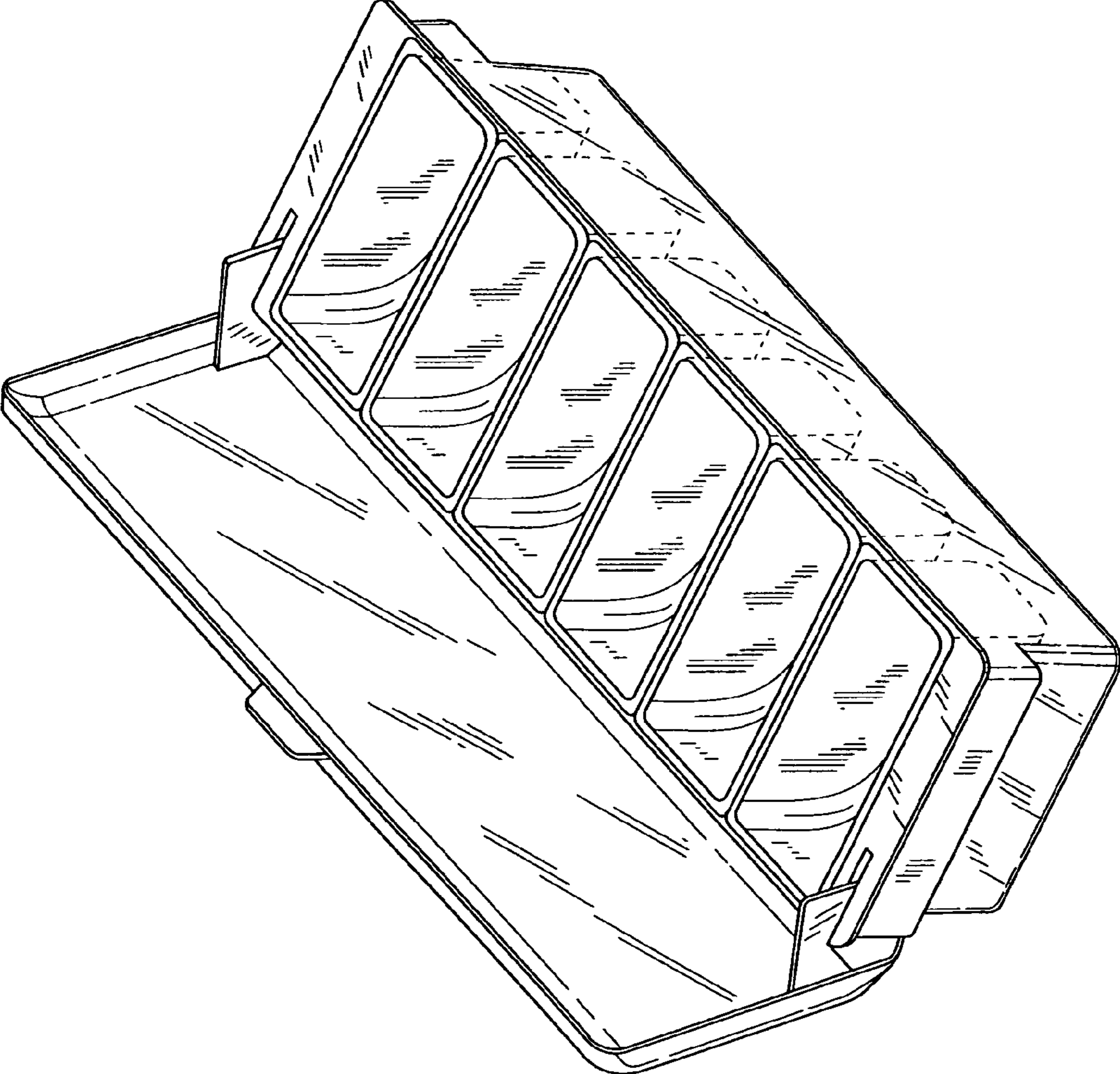


FIG. 7