



US00D609051S

(12) **United States Design Patent**
Hofer

(10) **Patent No.:** **US D609,051 S**

(45) **Date of Patent:** **** Feb. 2, 2010**

(54) **COFFEE POD PRESS**

(76) Inventor: **Richard D. Hofer**, 37520 Castleton Dr.,
Sterling Heights, MI (US) 48312

(**) Term: **14 Years**

(21) Appl. No.: **29/314,608**

(22) Filed: **Apr. 15, 2009**

(51) **LOC (9) Cl.** **07-99**

(52) **U.S. Cl.** **D7/399; D7/400**

(58) **Field of Classification Search** D7/397,
D7/398, 387, 399, 400, 401; 229/404; 220/23.4,
220/23.8; 99/323, 295, 302 R; D9/416,
D9/428

See application file for complete search history.

(56) **References Cited**

U.S. PATENT DOCUMENTS

948,455	A *	2/1910	Smith	184/58
2,968,560	A *	1/1961	Goros	99/295
D235,246	S *	6/1975	Evans et al.	D9/416
4,875,620	A *	10/1989	Lane, Sr.	229/404
4,995,310	A *	2/1991	van der Lijn et al.	99/295
5,242,702	A *	9/1993	Fond	426/433
D381,866	S *	8/1997	St-Gelais	D7/400

D394,005	S *	5/1998	Marijnissen	D9/416
5,873,651	A	2/1999	Hofer et al.		
6,645,537	B2 *	11/2003	Sweeney et al.	426/79
D506,926	S *	7/2005	Halliday et al.	D9/416
D541,587	S *	5/2007	Pezij	D7/400
7,234,390	B2 *	6/2007	Fulgoni et al.	99/323
D581,091	S	11/2008	Hofer		

* cited by examiner

Primary Examiner—Marianne Pandozzi

(74) *Attorney, Agent, or Firm*—Ronald R. Kilponen

(57) **CLAIM**

I claim the ornamental design for the coffee pod press, as shown and described.

DESCRIPTION

FIG. 1 is a top view of the coffee pod press showing the new design:

FIG. 2 is a bottom view thereof;

FIG. 3 is a side view with all side views being mirror images thereof;

FIG. 4 is a perspective view thereof; and,

FIG. 5 is a sectional view along 5—5 of FIG. 1 thereof.

1 Claim, 2 Drawing Sheets

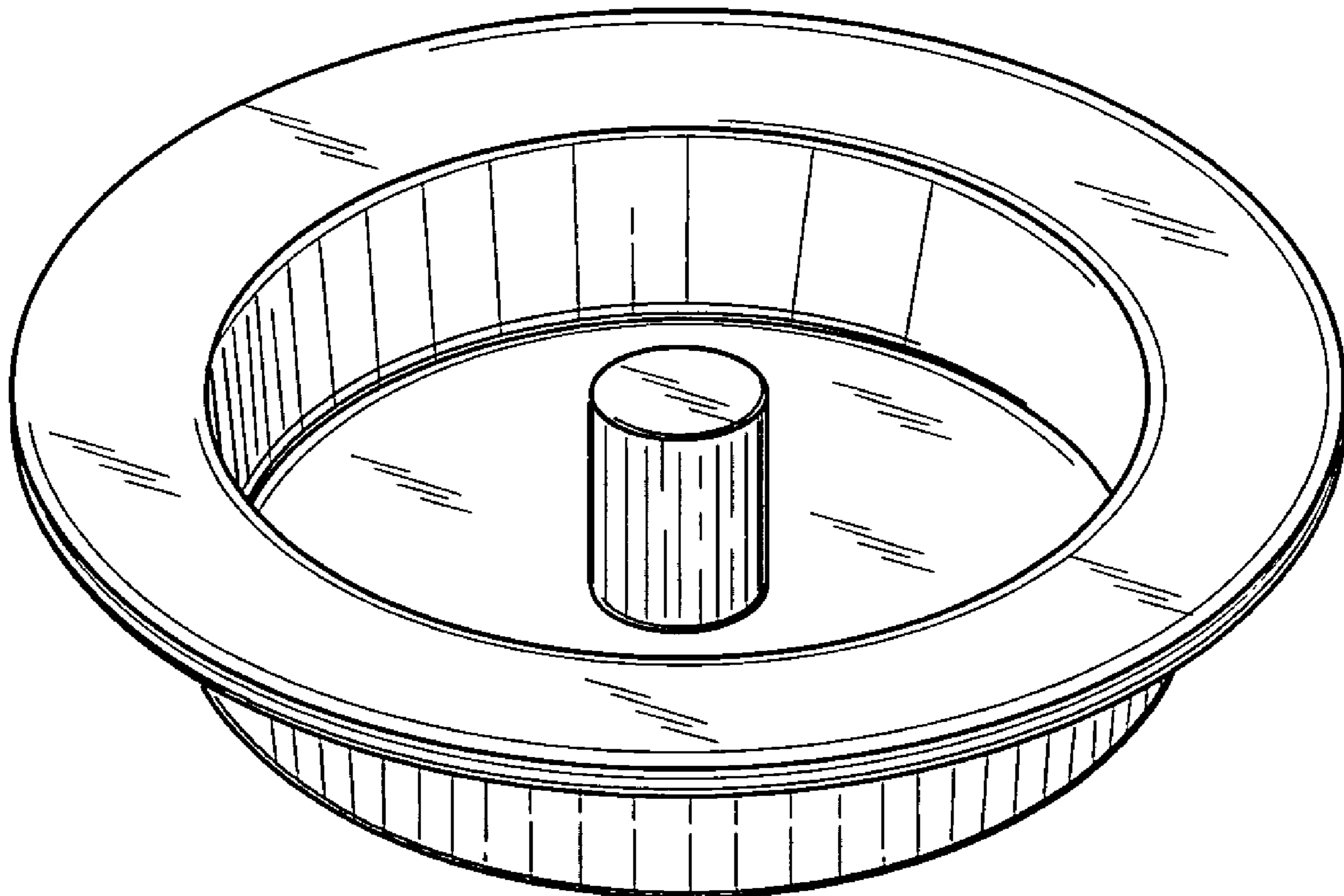


FIG. 1

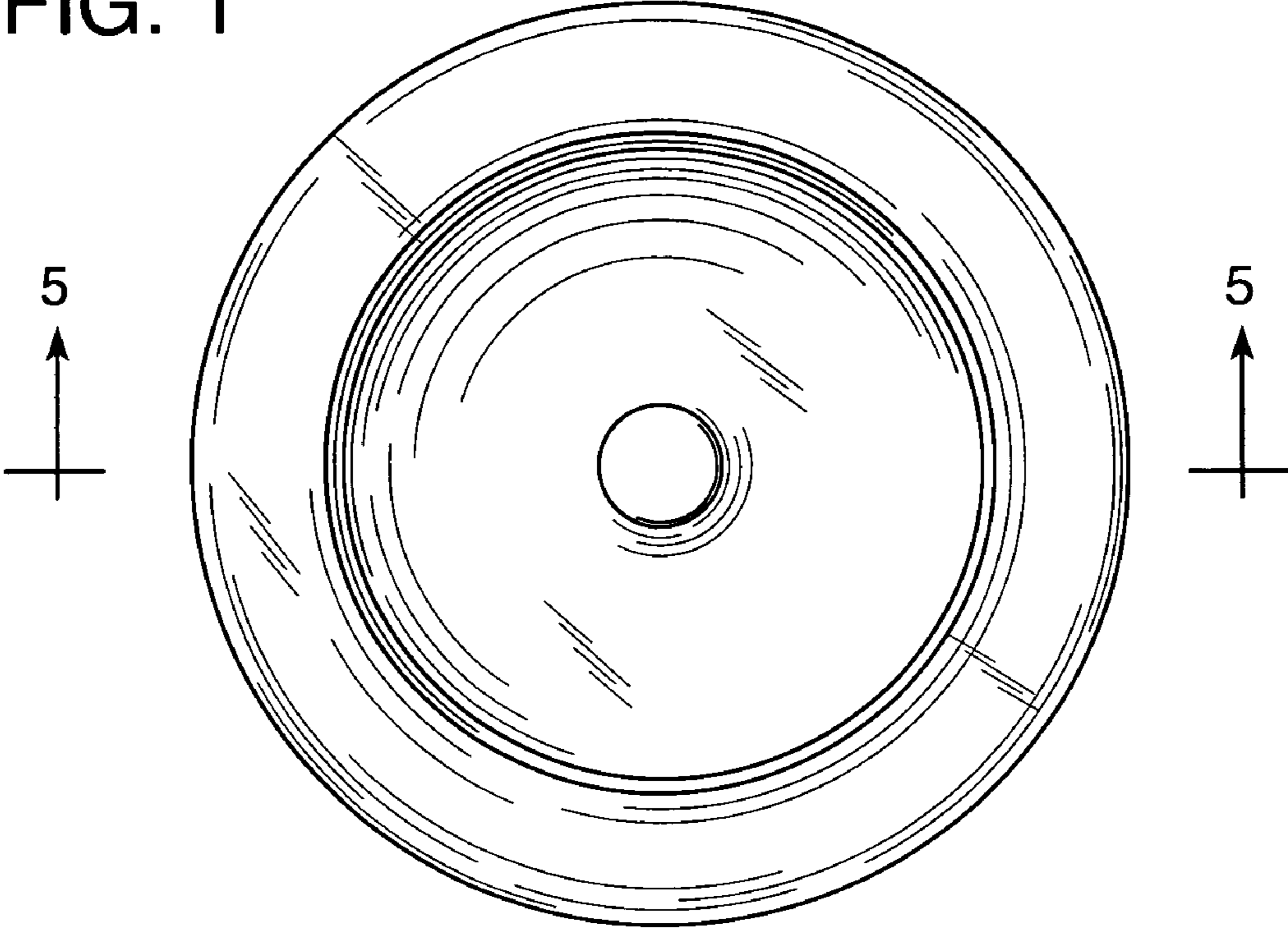


FIG. 2

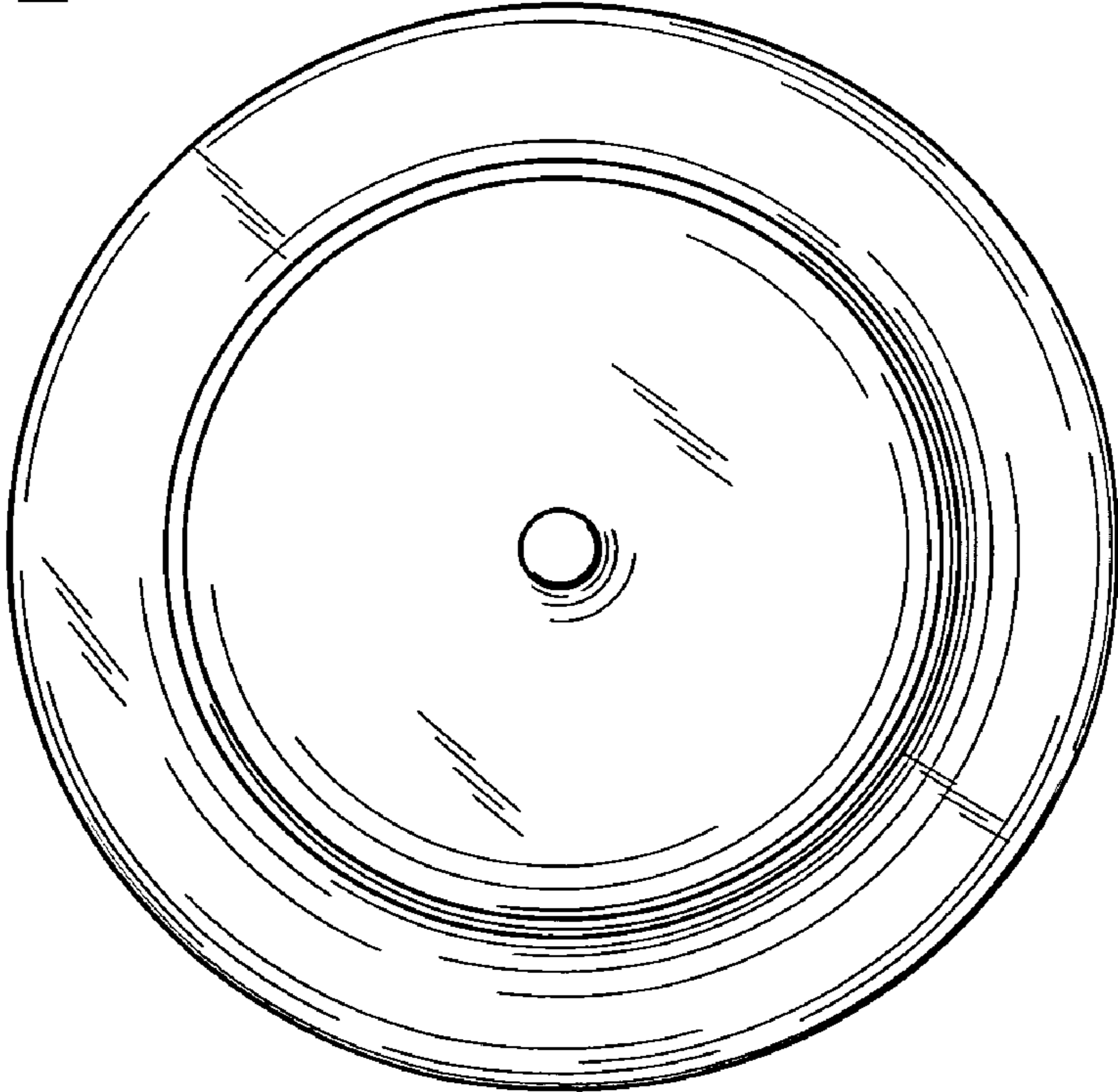


FIG. 3

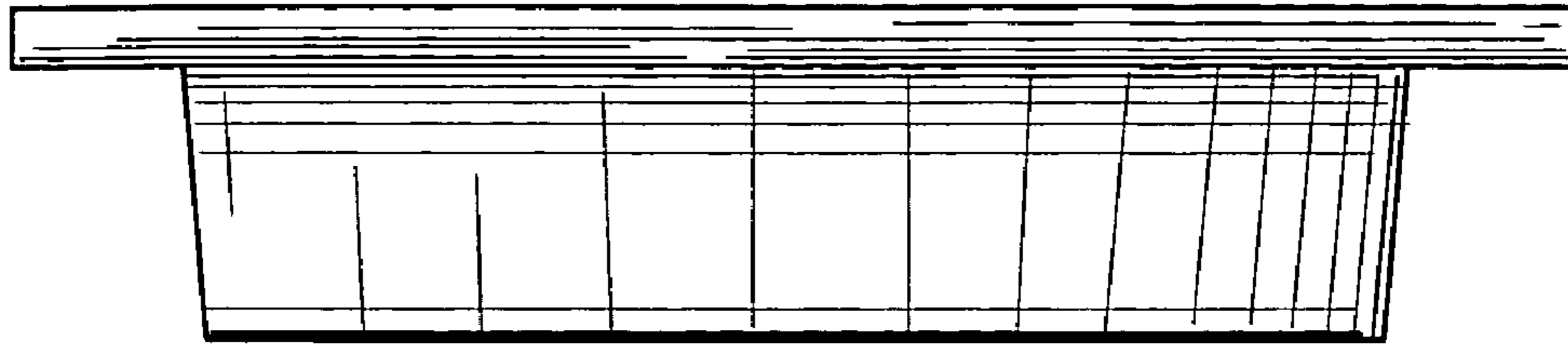


FIG. 4

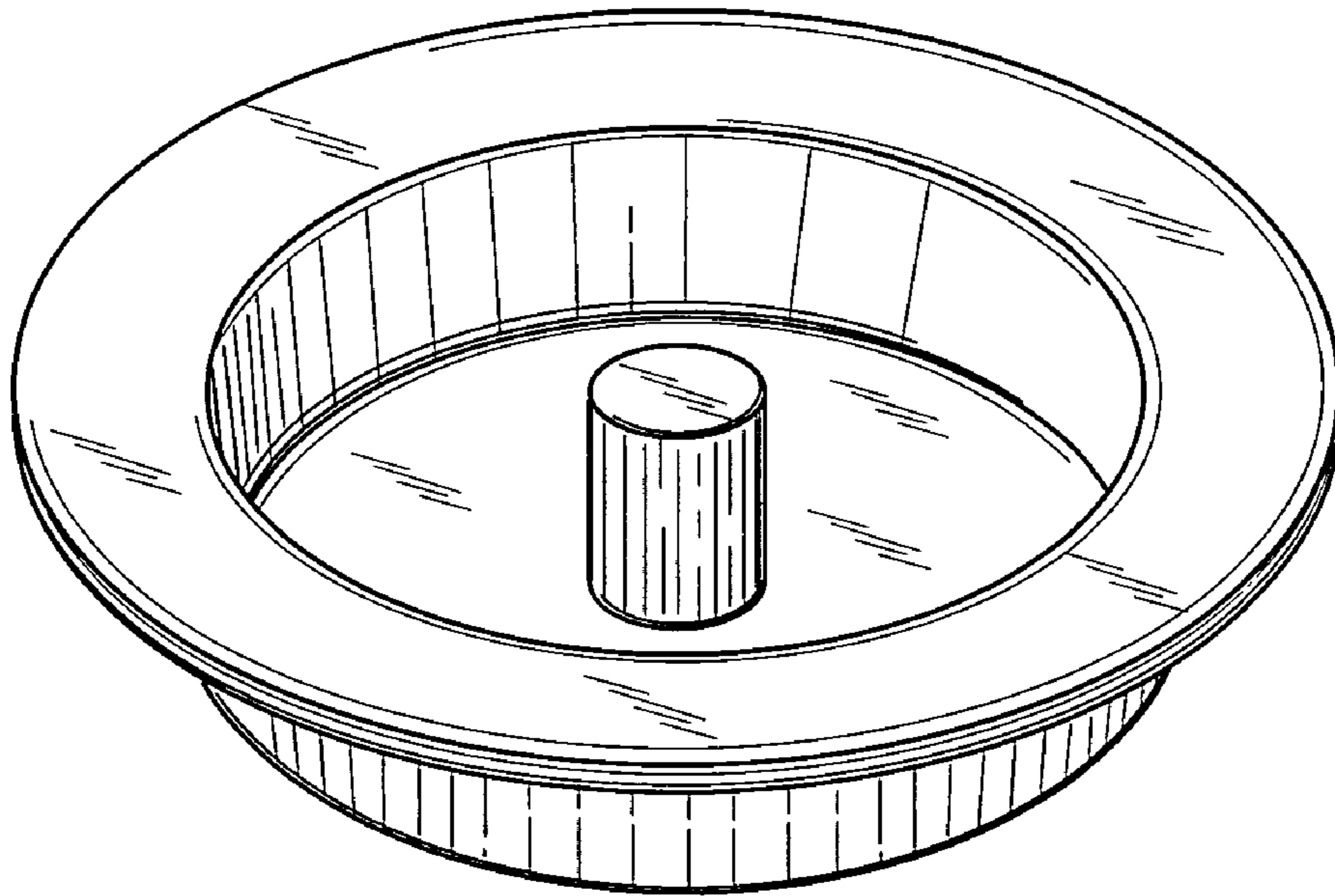


FIG. 5

