

US00D609049S

(12) **United States Design Patent**
Solhendler

(10) **Patent No.:** **US D609,049 S**

(45) **Date of Patent:** **** Feb. 2, 2010**

(54) **STEMWARE**

(75) Inventor: **Saul Solhendler**, Lakewood, NJ (US)

(73) Assignee: **EMI Yoshi Inc.**, No. Brunswick, NJ (US)

(**) Term: **14 Years**

(21) Appl. No.: **29/313,638**

(22) Filed: **Jan. 28, 2009**

(51) **LOC (9) Cl.** **07-01**

(52) **U.S. Cl.** **D7/396.6; D7/527; D7/537**

(58) **Field of Classification Search** D7/524,
D7/527, 531, 396.6, 396.1, 387, 396.2, 509,
D7/523, 537; 215/387, DIG. 7; 220/703,
220/592.16, 592.17

See application file for complete search history.

(56) **References Cited**

U.S. PATENT DOCUMENTS

D76,008 S *	8/1928	Dithridge	D7/527
D81,302 S *	6/1930	Sakier	D7/524
D92,247 S *	5/1934	Irwin	D7/537
D94,553 S *	2/1935	Marquot	D7/531
D119,257 S *	3/1940	Di Montelera	D7/527
D122,772 S *	10/1940	Farber	D7/387
D123,598 S *	11/1940	Kelley	D7/527
D167,272 S *	7/1952	Morrison	D7/527
D256,309 S *	8/1980	Saffell	D7/527
D267,140 S *	12/1982	Thompson	D7/531

D283,775 S *	5/1986	Campbell	D7/396.2
4,928,842 A *	5/1990	Swenson	220/694
D413,228 S *	8/1999	Michaeli	D7/396.6
D427,230 S *	6/2000	Lillelund et al.	D7/528
D458,842 S *	6/2002	Humphrey	D9/432
D459,633 S *	7/2002	Kerman	D7/525
D506,103 S *	6/2005	Geelen et al.	D7/524
D530,150 S *	10/2006	Eddy et al.	D7/396.6

* cited by examiner

Primary Examiner—Robert M Spear

Assistant Examiner—Cynthia Underwood

(74) *Attorney, Agent, or Firm*—Law Firm of Walter D. Ames

(57) **CLAIM**

The ornamental design for stemware, as shown and described.

DESCRIPTION

FIG. 1 is a perspective view of my invention;

FIG. 2 is a front elevational view and a mirror image of a rear elevational view thereof;

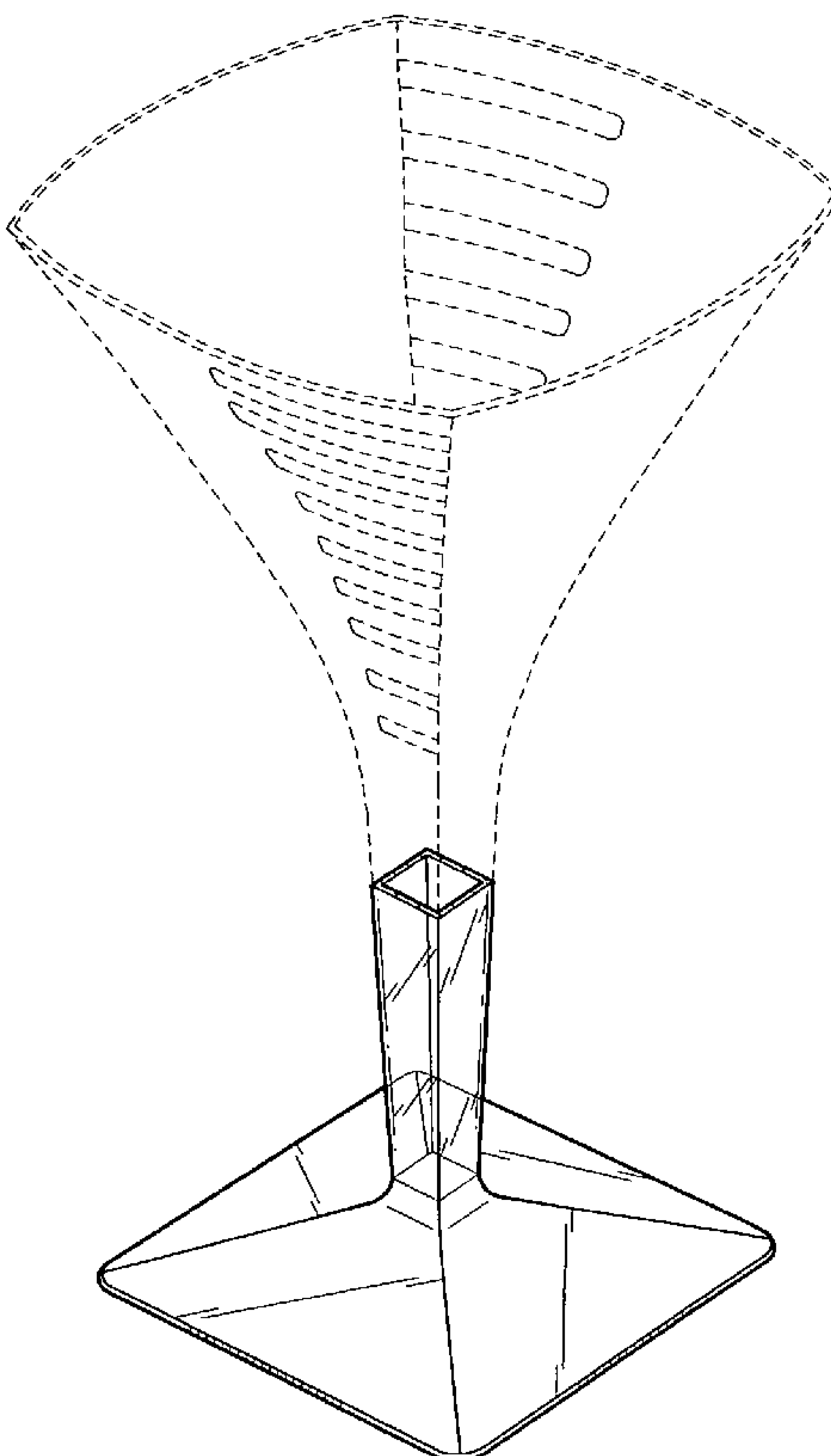
FIG. 3 is a left-side elevational view and a mirror image of a right-side elevational view thereof;

FIG. 4 is a top plan view thereof; and,

FIG. 5 is a bottom plan view thereof.

The broken lines represent environmental elements not included in the claim.

1 Claim, 4 Drawing Sheets



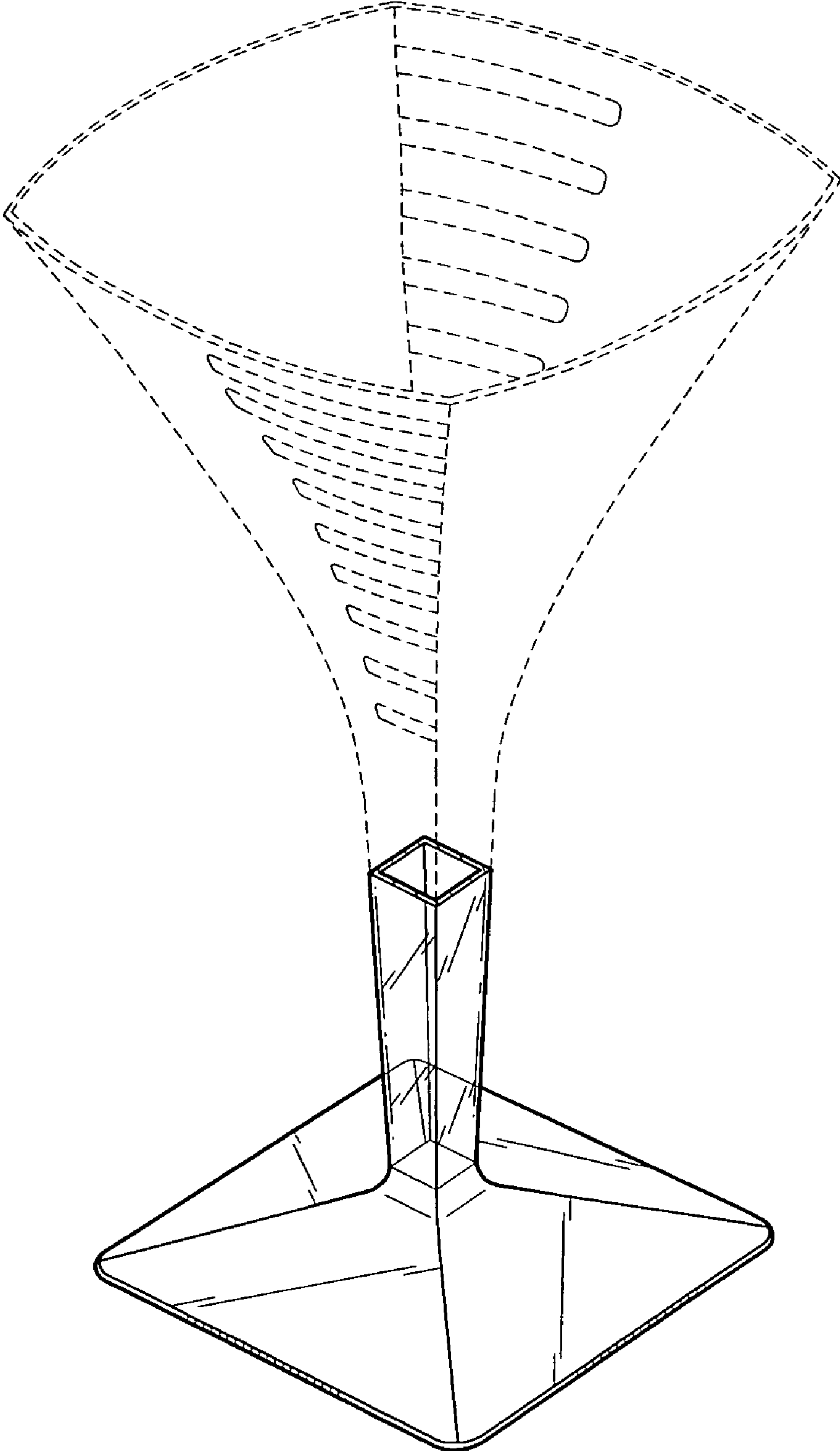


FIG. 1

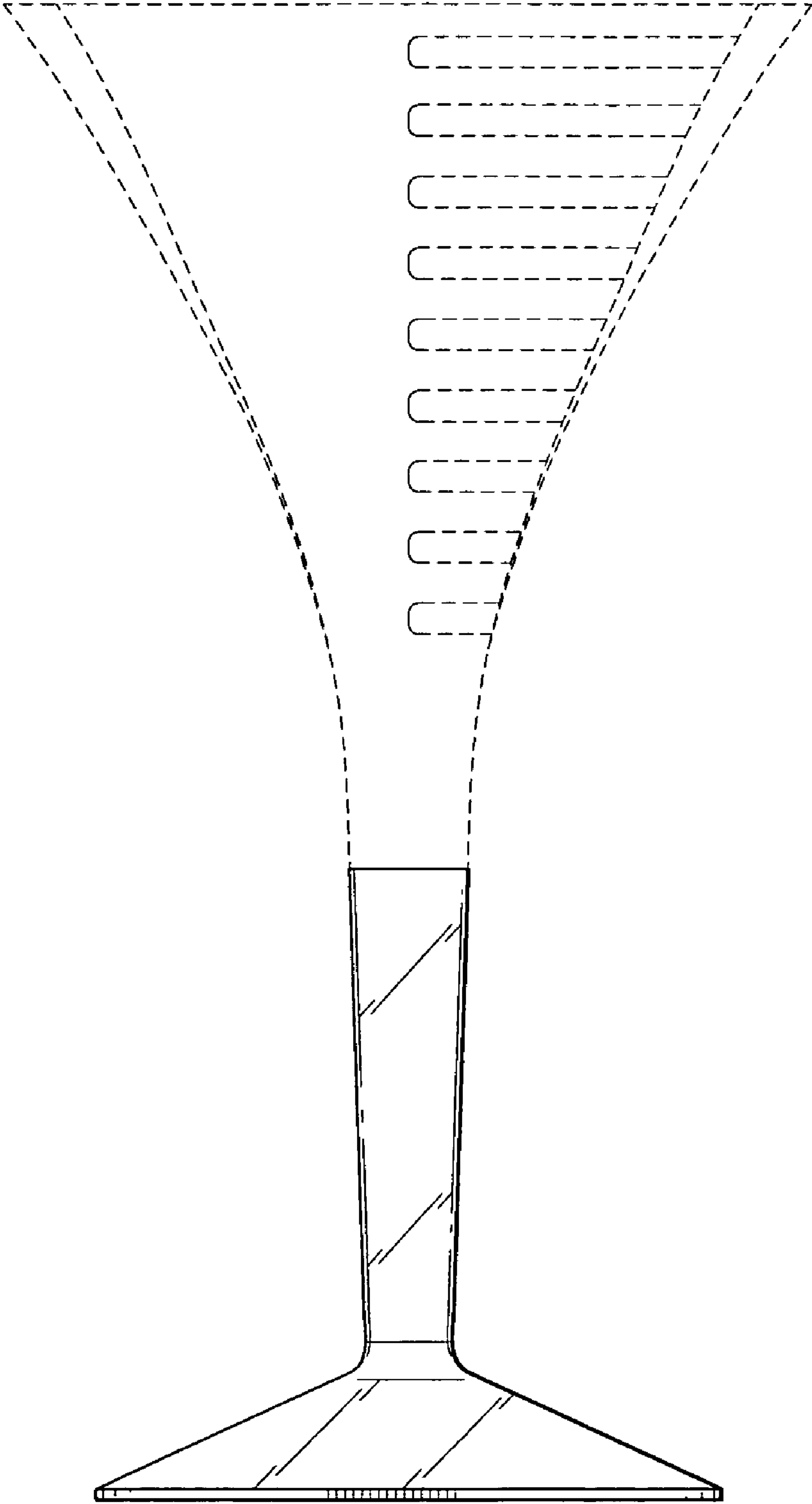


FIG. 2

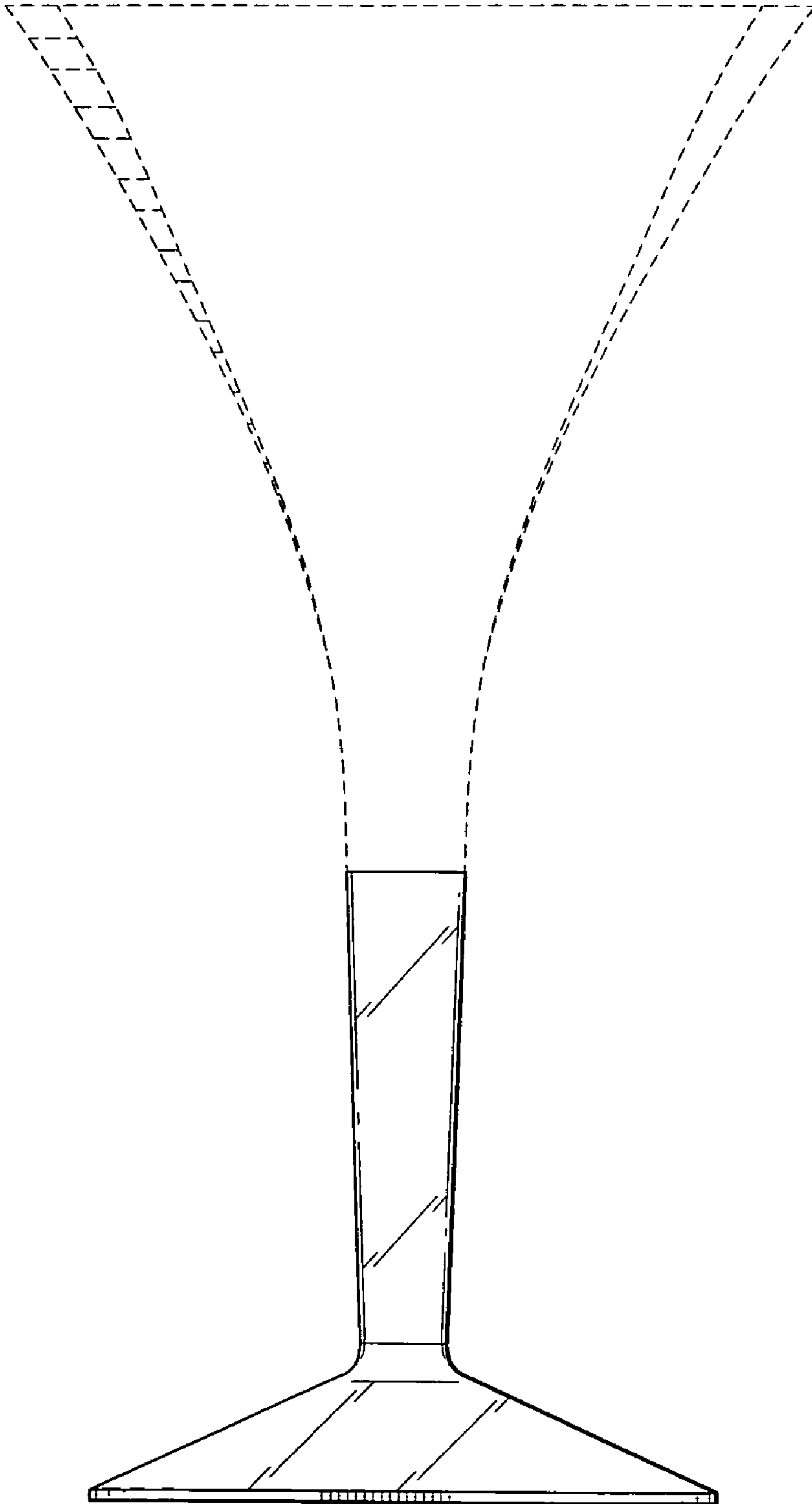


FIG. 3

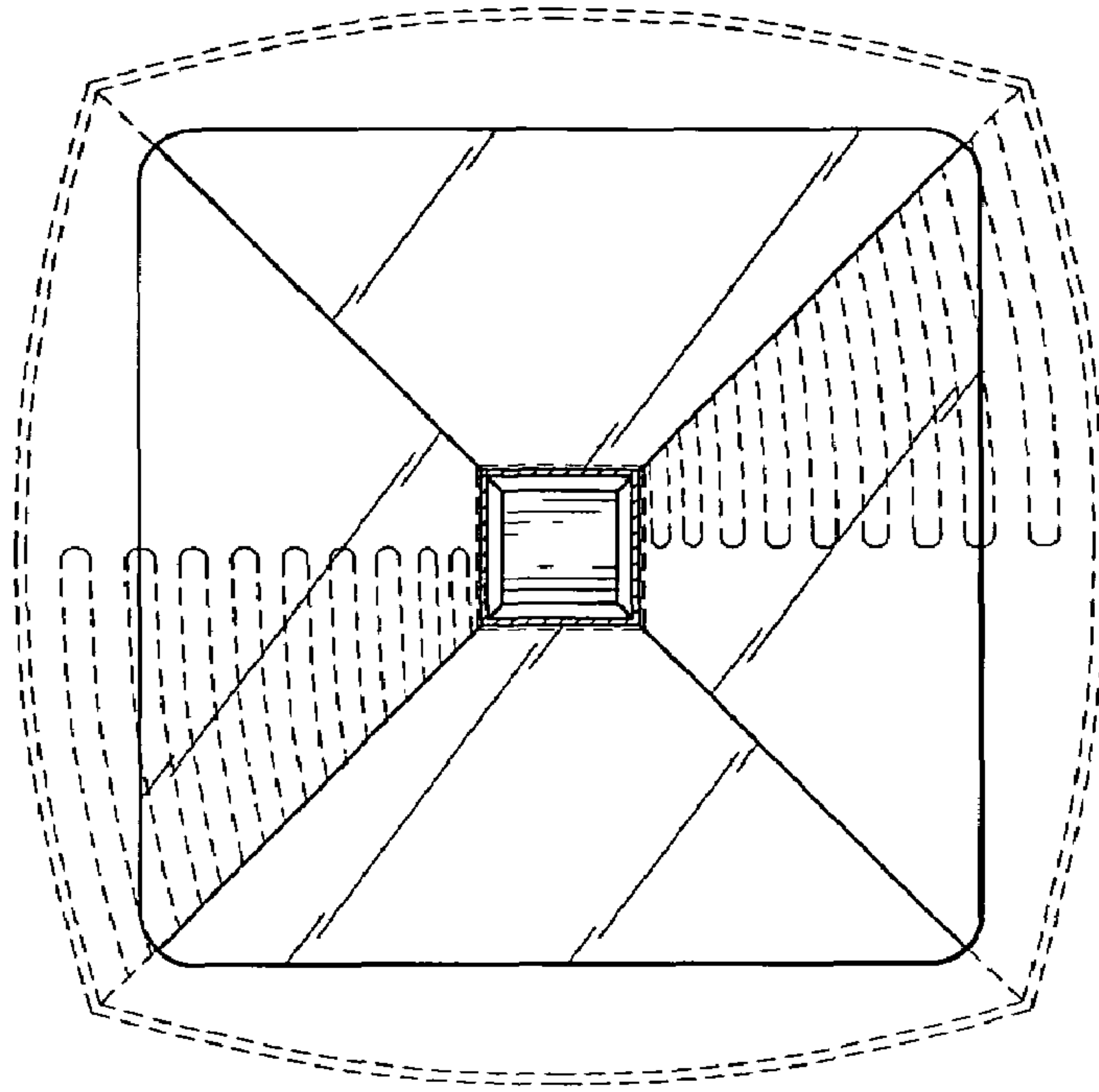


FIG. 4

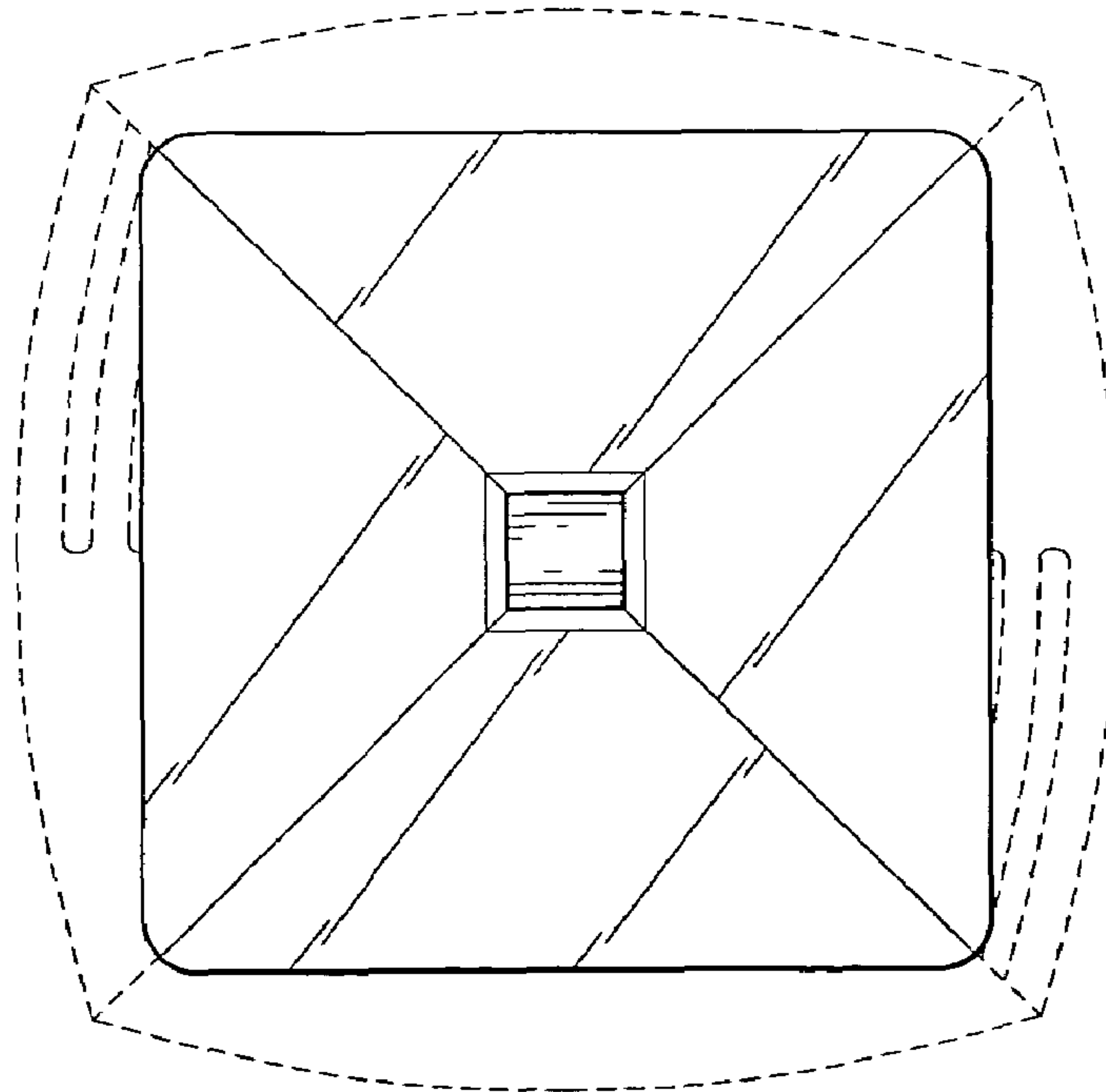


FIG. 5