



US00D609046S

(12) **United States Design Patent**
Valderrama et al.

(10) **Patent No.:** **US D609,046 S**
(45) **Date of Patent:** **** Feb. 2, 2010**

(54) **CUP LID**

(75) Inventors: **Vincent Valderrama**, Stamford, CT
(US); **Stuart Naft**, Fairfield, CT (US)

(73) Assignee: **Playtex Products, Inc.**, Shelton, CT
(US)

(**) Term: **14 Years**

(21) Appl. No.: **29/314,541**

(22) Filed: **Apr. 8, 2009**

(51) **LOC (9) Cl.** **07-02**

(52) **U.S. Cl.** **D7/392.1**

(58) **Field of Classification Search** D7/509–511,
D7/516, 523–534, 392, 392.1, 396.1, 900;
D9/446, 447; D24/197–199; 220/295, 301,
220/361, 603, 710.5, 713–715, 717, 719,
220/721; 215/11.1, 11.4, 11.6, 354, 396,
215/398, 902

See application file for complete search history.

(56) **References Cited**

U.S. PATENT DOCUMENTS

D216,730 S *	3/1970	Carslaw	D7/510
4,303,170 A *	12/1981	Panicci	220/603
D310,567 S	9/1990	Fitzpatrick	D24/197
D346,932 S	5/1994	Cautereels et al.	D7/507
5,366,109 A *	11/1994	Proshan	220/717
D359,417 S	6/1995	Chen	D7/510
D361,469 S	8/1995	Young	D7/392.1
D363,852 S	11/1995	Young	D7/392.1
D364,315 S *	11/1995	Humphrey et al.	D7/510
D366,987 S	2/1996	Allegre	D7/510
D368,624 S *	4/1996	Forrer	D7/392.1
5,529,202 A *	6/1996	Shamis	220/301
D387,247 S	12/1997	Randolph	D7/510
D397,906 S	9/1998	Briggs et al.	D7/392.1
D407,269 S	3/1999	Fletcher	D7/510
D417,845 S *	12/1999	Sadlier et al.	D9/447
D419,029 S	1/2000	Randolph	D7/392
D451,760 S	12/2001	Fox	D7/510
D452,415 S *	12/2001	McDonough et al.	D7/510

D454,642 S	3/2002	Hakim	D24/197
D457,778 S	5/2002	Randolph et al.	D7/392.1
D474,647 S	5/2003	Reinius et al.	D7/510
D476,850 S	7/2003	Featherston et al.	D7/510
6,745,915 B2	6/2004	Rees	220/714
6,883,677 B2 *	4/2005	Goeking et al.	220/713
D509,102 S	9/2005	Shumway et al.	D7/392.1
D520,809 S	5/2006	Randolph et al.	D7/392.1

(Continued)

Primary Examiner—Holly H Baynham

Assistant Examiner—Cynthia M Chin

(74) *Attorney, Agent, or Firm*—Ohlandt, Greeley, Ruggiero & Perle, L.L.P.

(57) **CLAIM**

The ornamental design for a cup lid, as shown and described.

DESCRIPTION

FIG. 1 is a front, top perspective view of the lid according to the present disclosure;

FIG. 2 is a front elevation view of the lid of FIG. 1;

FIG. 3 is a rear elevation view of the lid of FIG. 1;

FIG. 4 is a top plan view of the lid of FIG. 1;

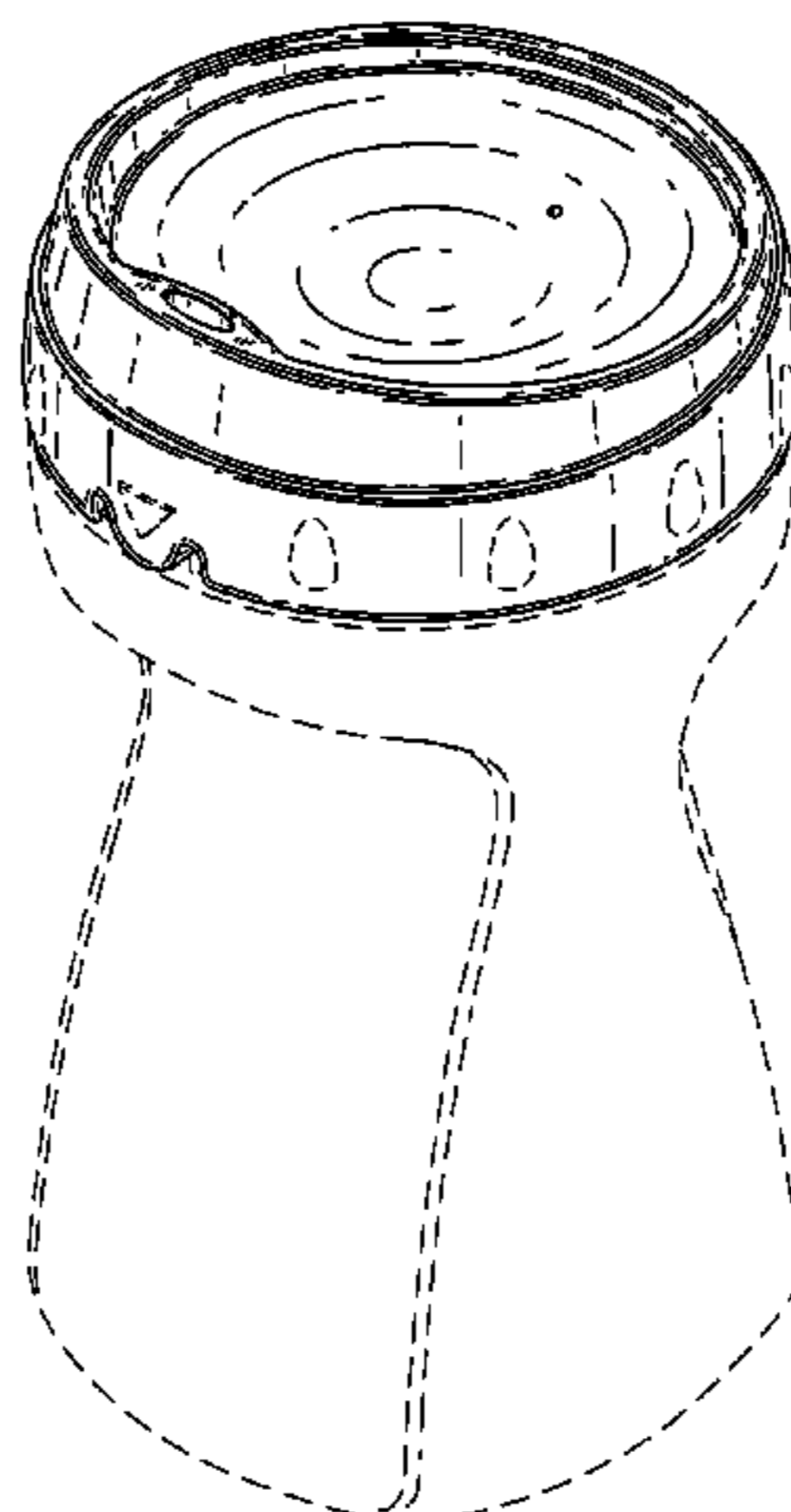
FIG. 5 is a bottom plan view of the lid of FIG. 1;

FIG. 6 is a left side elevation view of the lid of FIG. 1; and,

FIG. 7 is a right side elevation view of the lid of FIG. 1.

The broken lines in the drawings illustrating environmental structure or boundaries is for illustrative purposes only and forms no part of the claimed design.

1 Claim, 4 Drawing Sheets



US D609,046 S

Page 2

U.S. PATENT DOCUMENTS

7,134,570	B1 *	11/2006	Heath et al.	220/717	D573,462	S *	7/2008	Karam	D9/447
D538,938	S	3/2007	Pallado	D24/197	D574,488	S *	8/2008	Chauvin	D7/510
D545,118	S *	6/2007	Lieberman et al.	D7/392.1	D582,723	S *	12/2008	Renz et al.	D7/523
D545,623	S *	7/2007	Renz et al.	D7/510	D584,102	S	1/2009	Valderrama et al.	D7/392.1
D562,065	S *	2/2008	Smaldone	D7/396.2	D584,103	S	1/2009	Valderrama et al.	D7/392.1

* cited by examiner

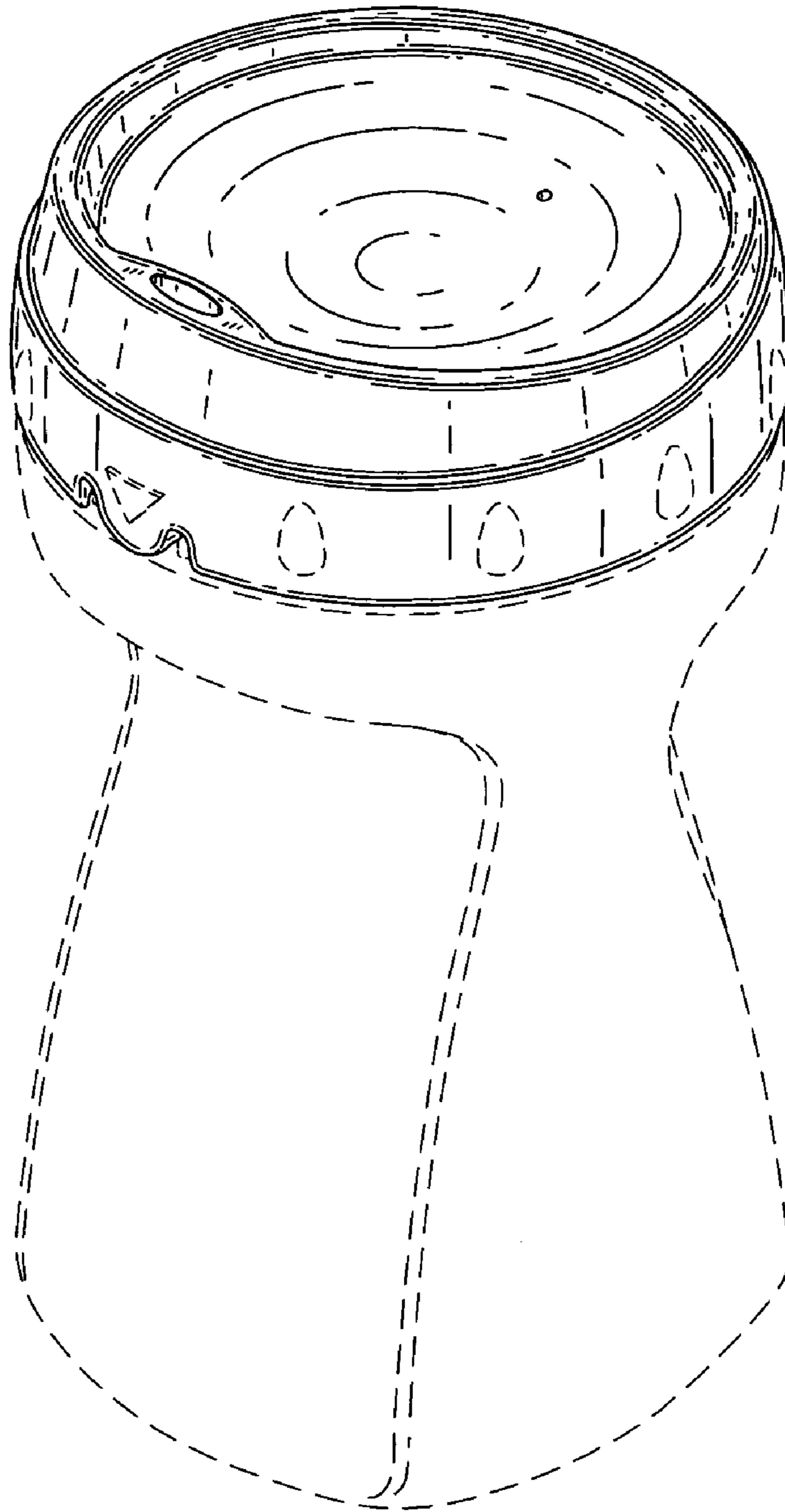


FIG. 1

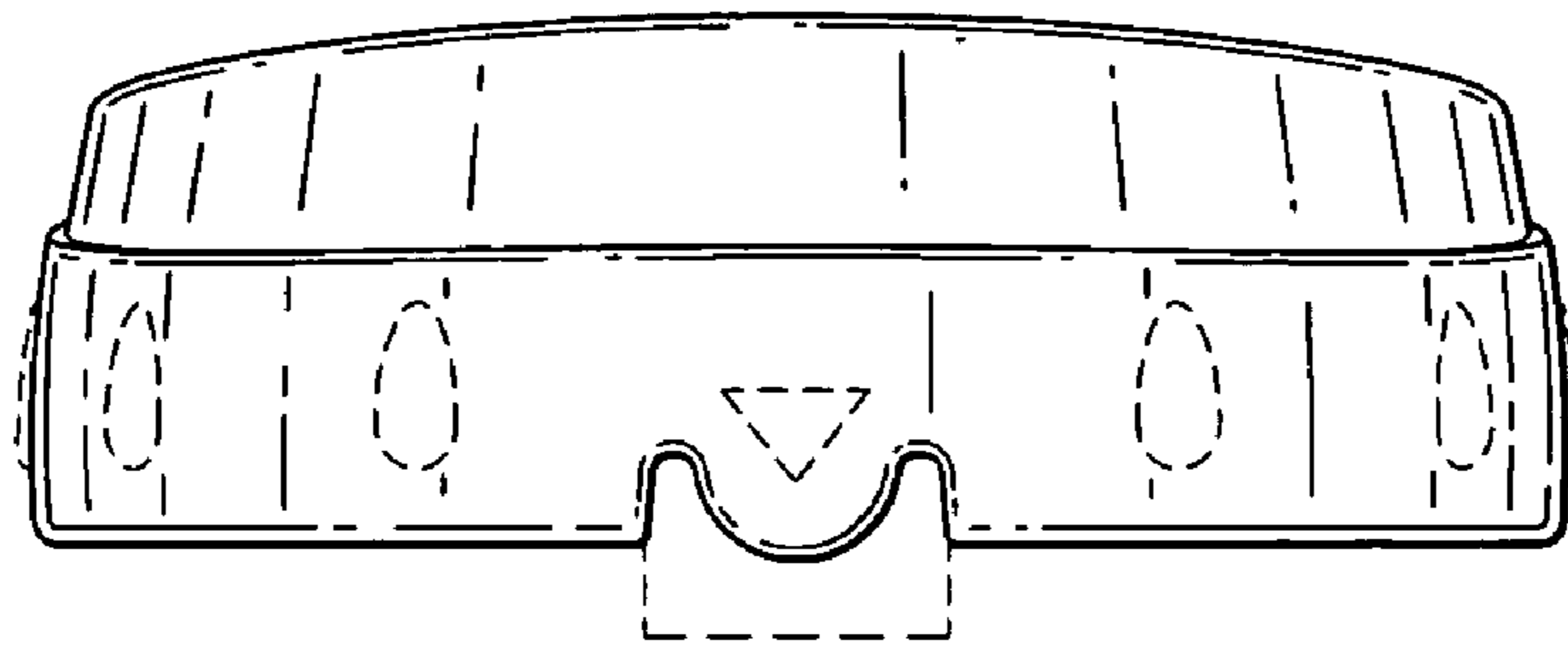


FIG. 2

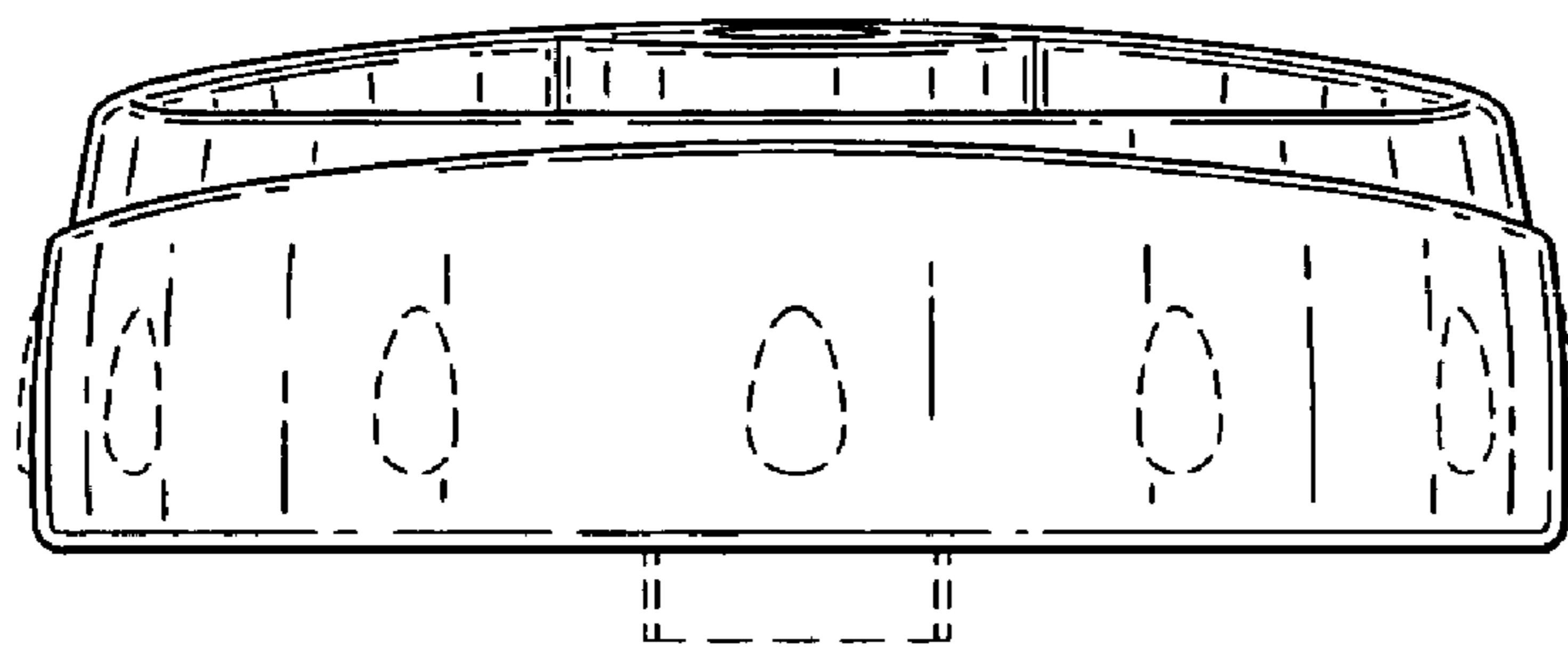


FIG. 3

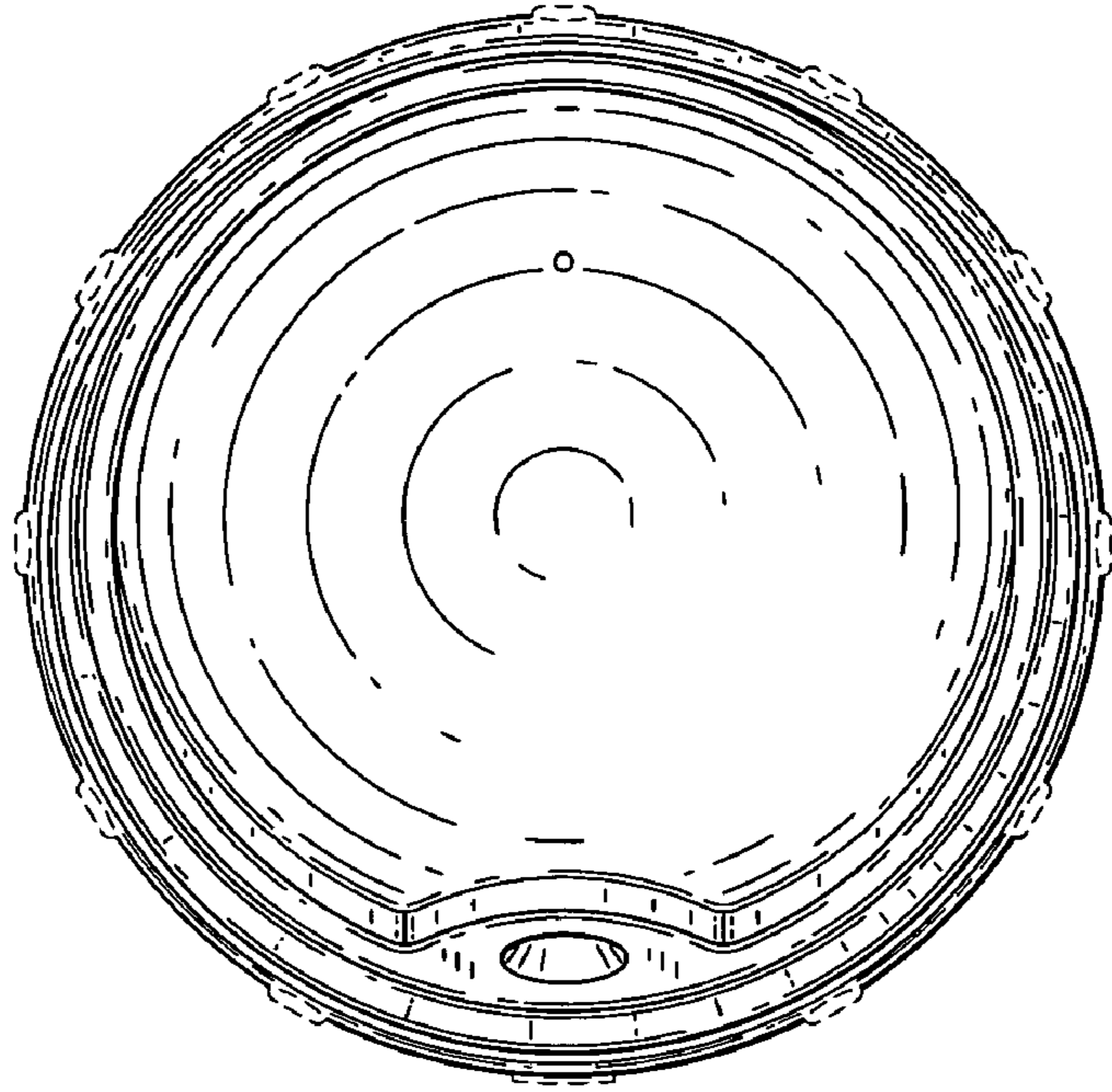


FIG. 4

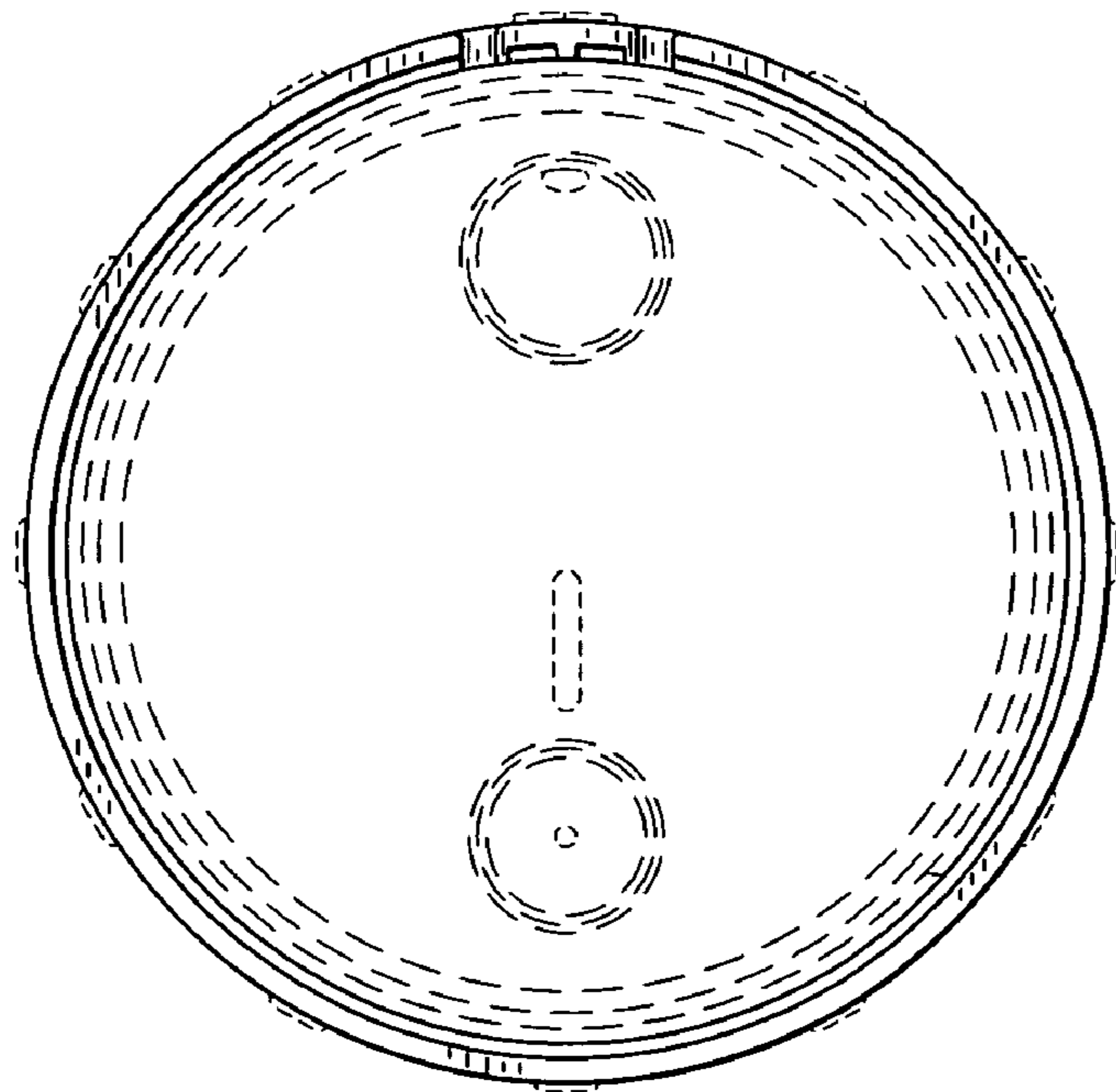


FIG. 5

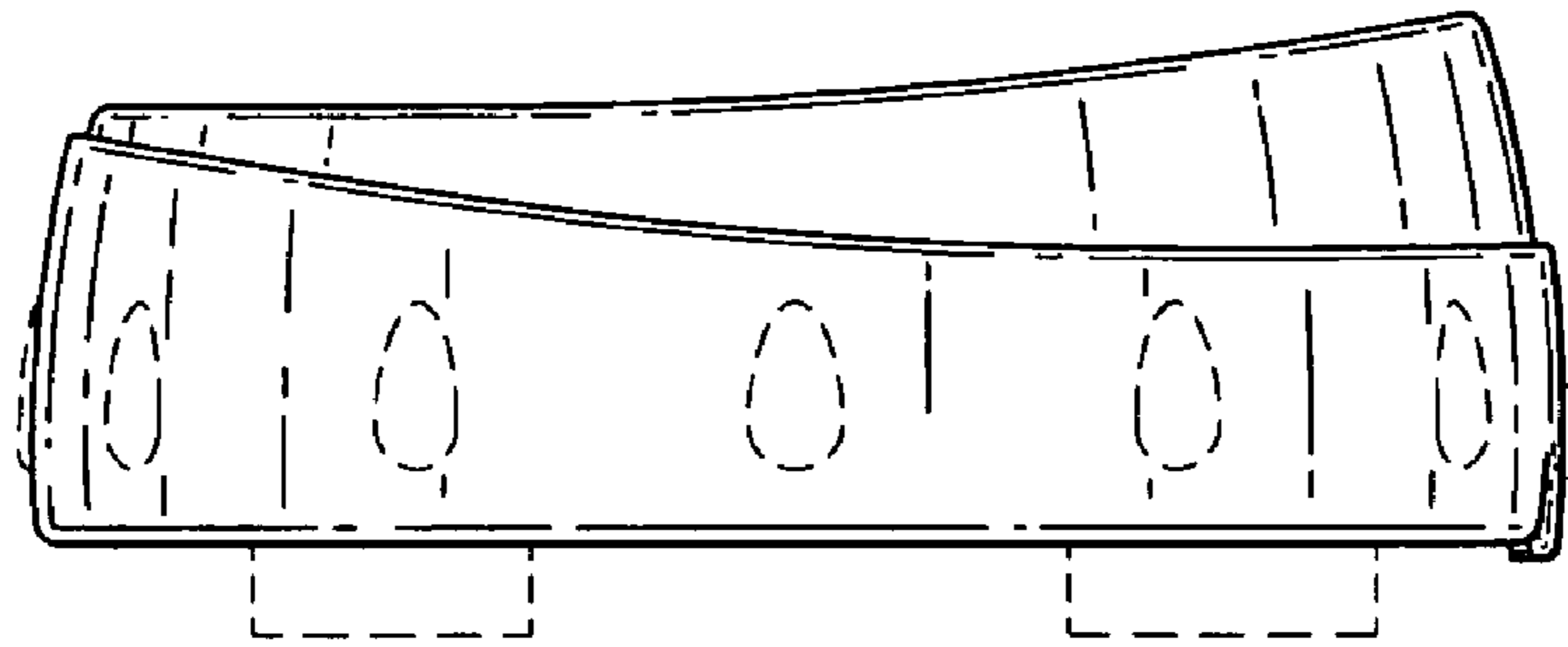


FIG. 6

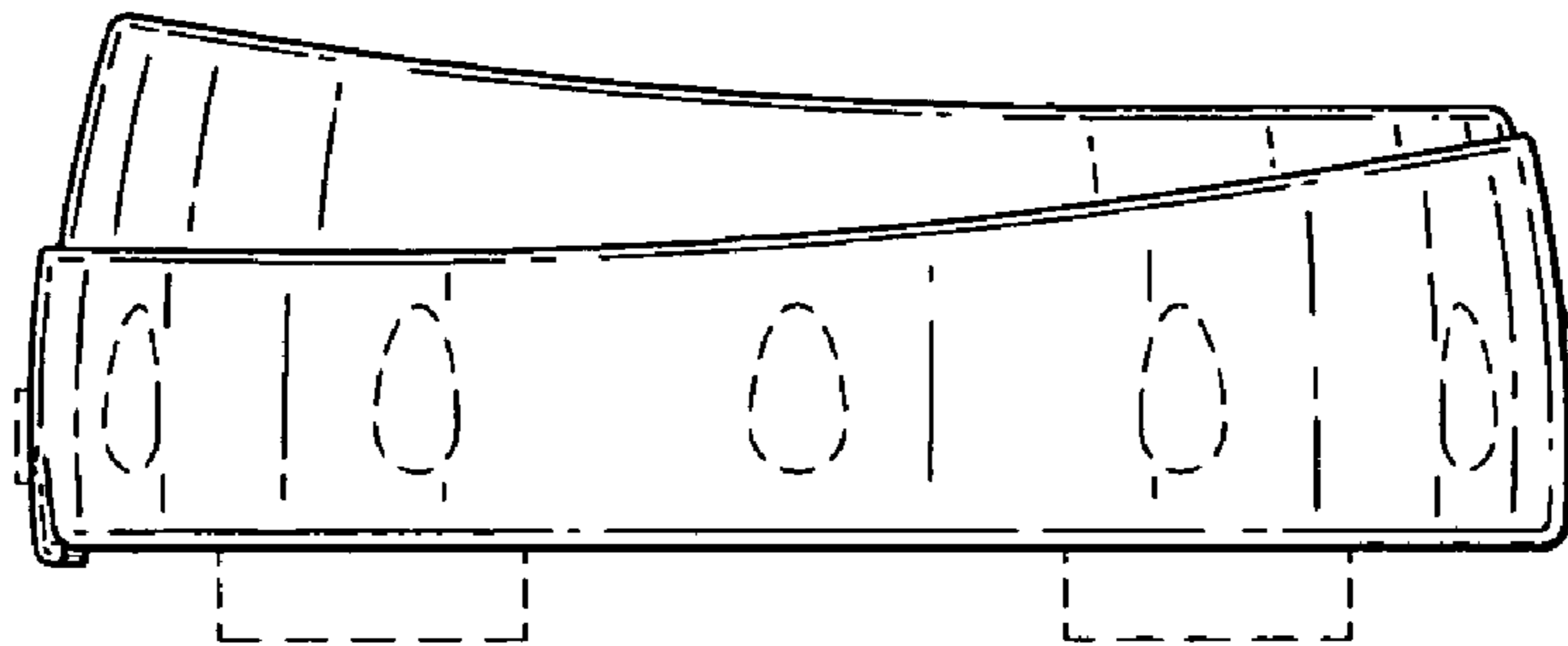


FIG. 7