



US00D609045S

(12) **United States Design Patent**  
**Bruno et al.**

(10) **Patent No.:** **US D609,045 S**

(45) **Date of Patent:** **\*\* \*Feb. 2, 2010**

(54) **GRILL**

(75) Inventors: **Adrian A. Bruno**, Rolling Meadows, IL (US); **Charles Choi**, Chicago, IL (US); **Daniel S. Choi**, Mundelein, IL (US); **Leonard Zelek**, Chicago, IL (US)

(73) Assignee: **Weber-Stephen Products Co.**, Palatine, IL (US)

(\*\*) Term: **14 Years**

(21) Appl. No.: **29/303,285**

(22) Filed: **Feb. 5, 2008**

**Related U.S. Application Data**

(62) Division of application No. 29/256,991, filed on Mar. 27, 2006, now abandoned.

(51) **LOC (9) Cl.** ..... **07-02**

(52) **U.S. Cl.** ..... **D7/334**

(58) **Field of Classification Search** ..... D7/332-337, D7/402-405; 126/25 R, 25 A, 25 AA, 41 R, 126/40, 50, 37 R, 304 R, 268; 99/481-482, 99/419, 445, 450; 248/128-129; 312/249.8, 312/249.13, 351.2

See application file for complete search history.

(56) **References Cited**

**U.S. PATENT DOCUMENTS**

D471,057 S \* 3/2003 Chung ..... D7/334  
D503,065 S \* 3/2005 Pai ..... D7/334

D521,308 S \* 5/2006 Tseng ..... D7/334  
D528,349 S \* 9/2006 Chung ..... D7/334  
D529,330 S \* 10/2006 Chung ..... D7/334  
D533,011 S \* 12/2006 Pai ..... D7/334  
D535,139 S \* 1/2007 Lutz ..... D7/334  
D535,846 S \* 1/2007 Debord et al. .... D7/334  
D536,918 S \* 2/2007 Wood ..... D7/334  
2006/0081236 A1 \* 4/2006 Johnston et al. .... 126/25 R

\* cited by examiner

*Primary Examiner*—Ruth McInroy

(74) *Attorney, Agent, or Firm*—David I. Roche; Daniel A. Tallitsch; Baker & McKenzie LLP

(57) **CLAIM**

We claim the ornamental design for a grill, as shown and described.

**DESCRIPTION**

FIG. 1 is a perspective view of a grill embodying the invention;

FIG. 2 is a front view thereof;

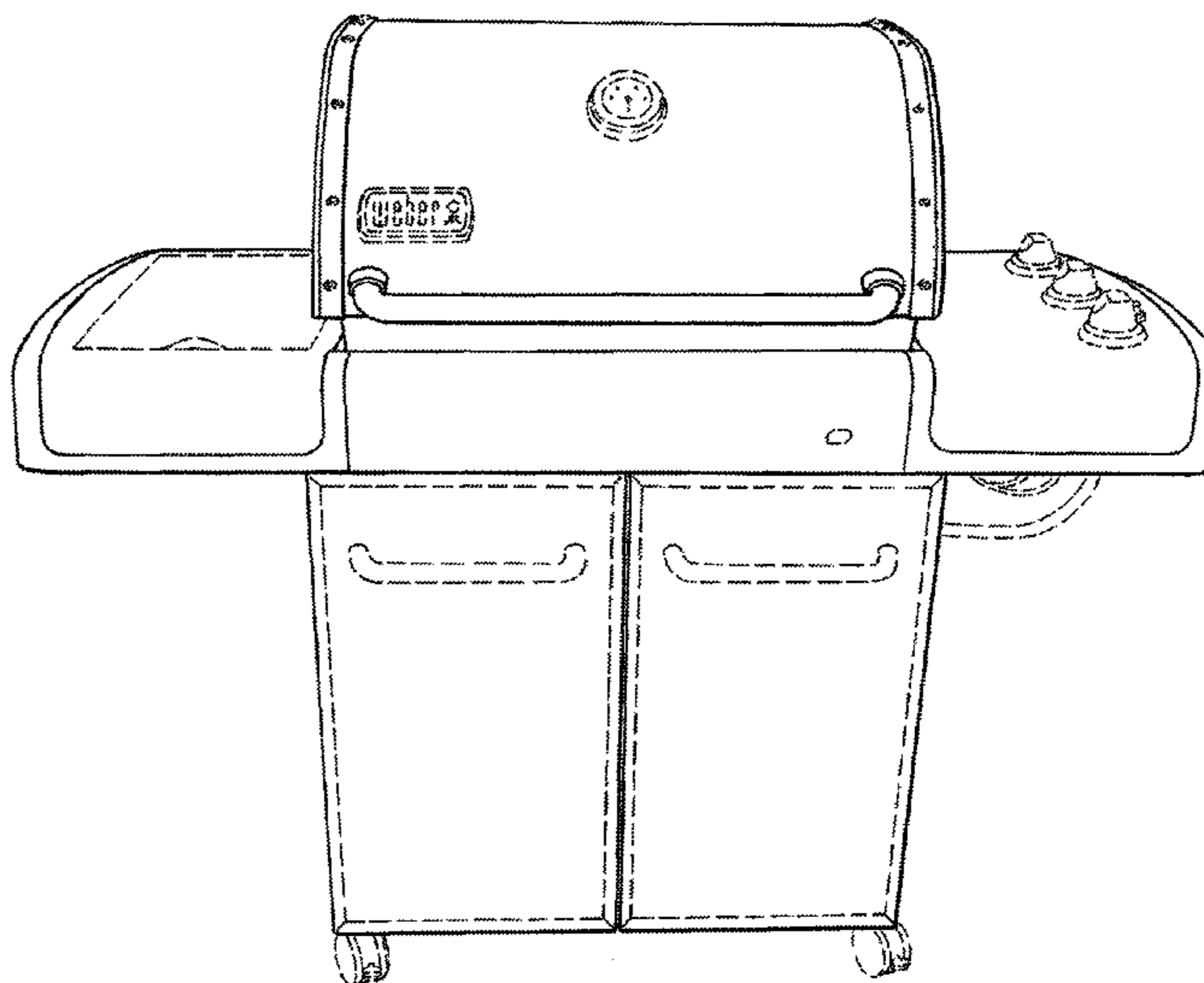
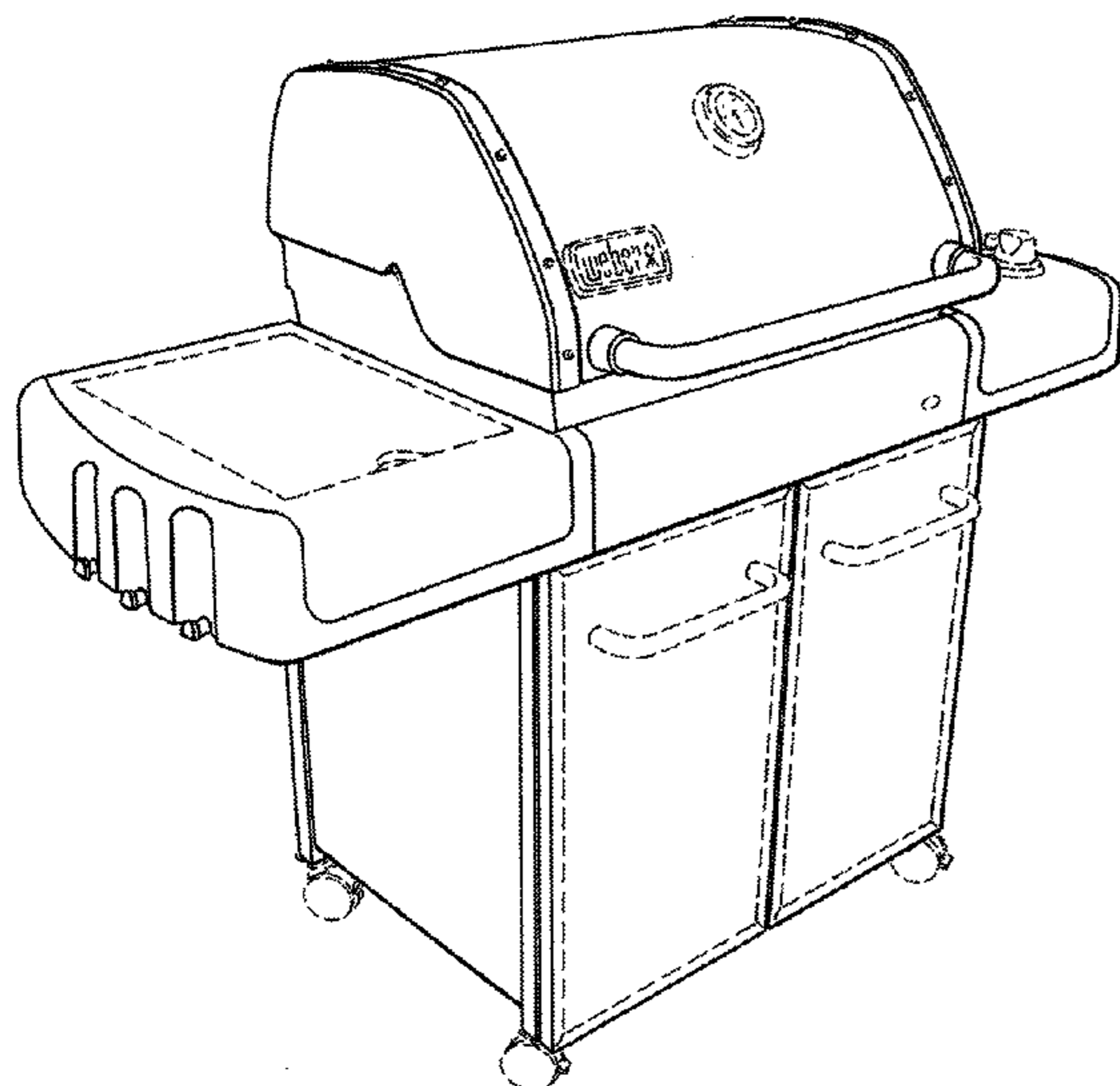
FIG. 3 is a rear view thereof;

FIG. 4 is left side view thereof; and,

FIG. 5 is a right side view thereof.

The details shown in broken lines form no part of the claimed design.

**1 Claim, 4 Drawing Sheets**



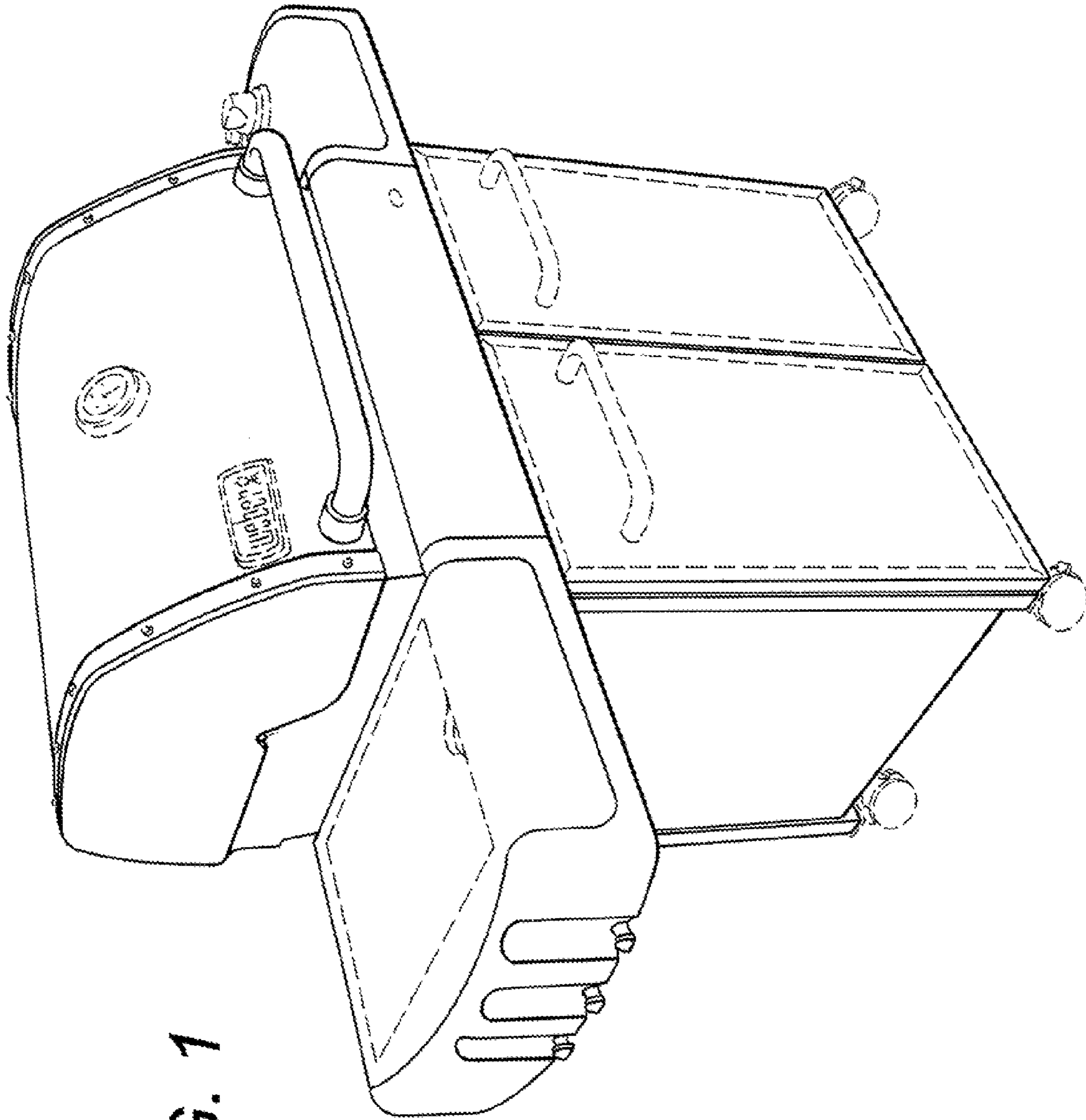


FIG. 1

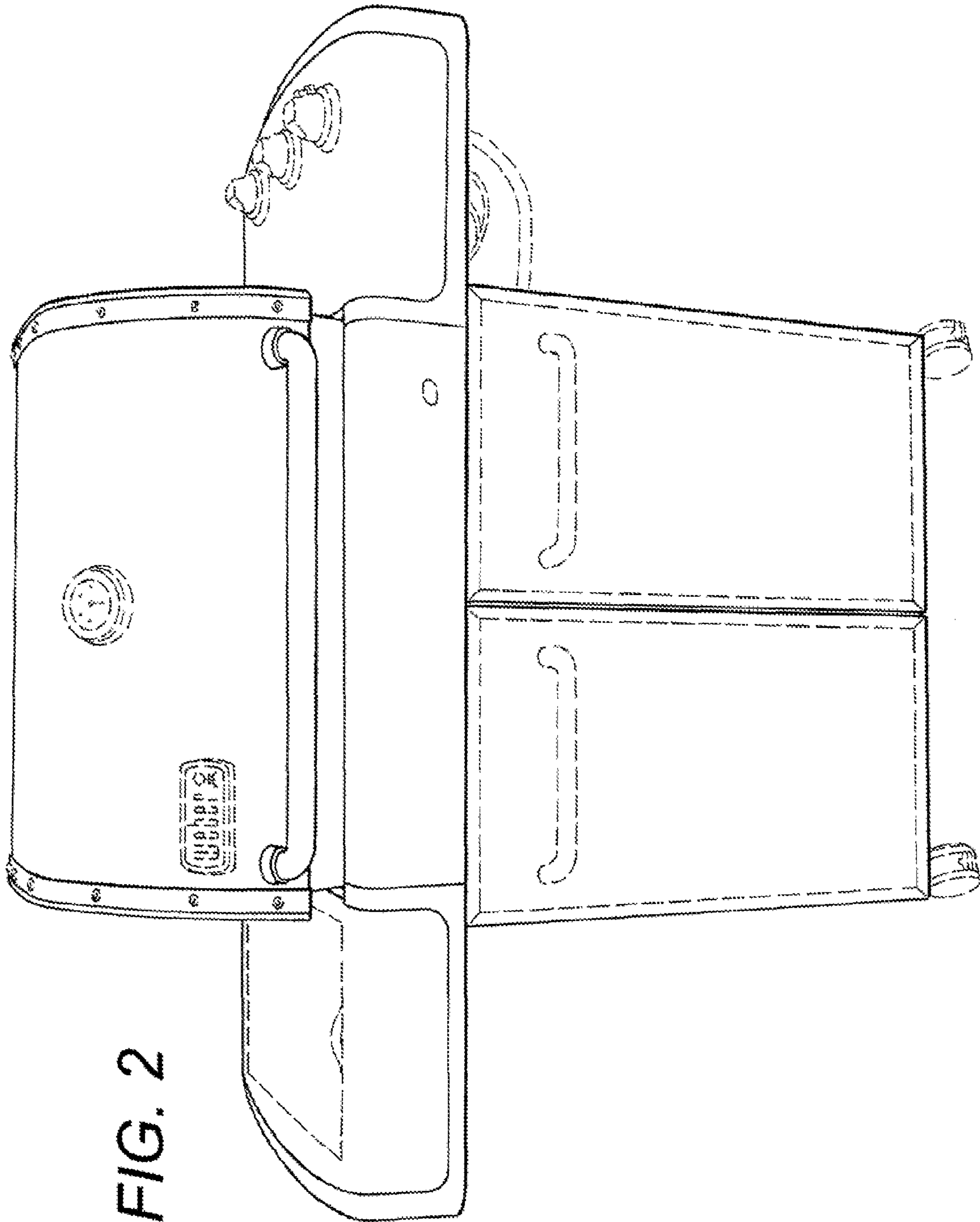


FIG. 2

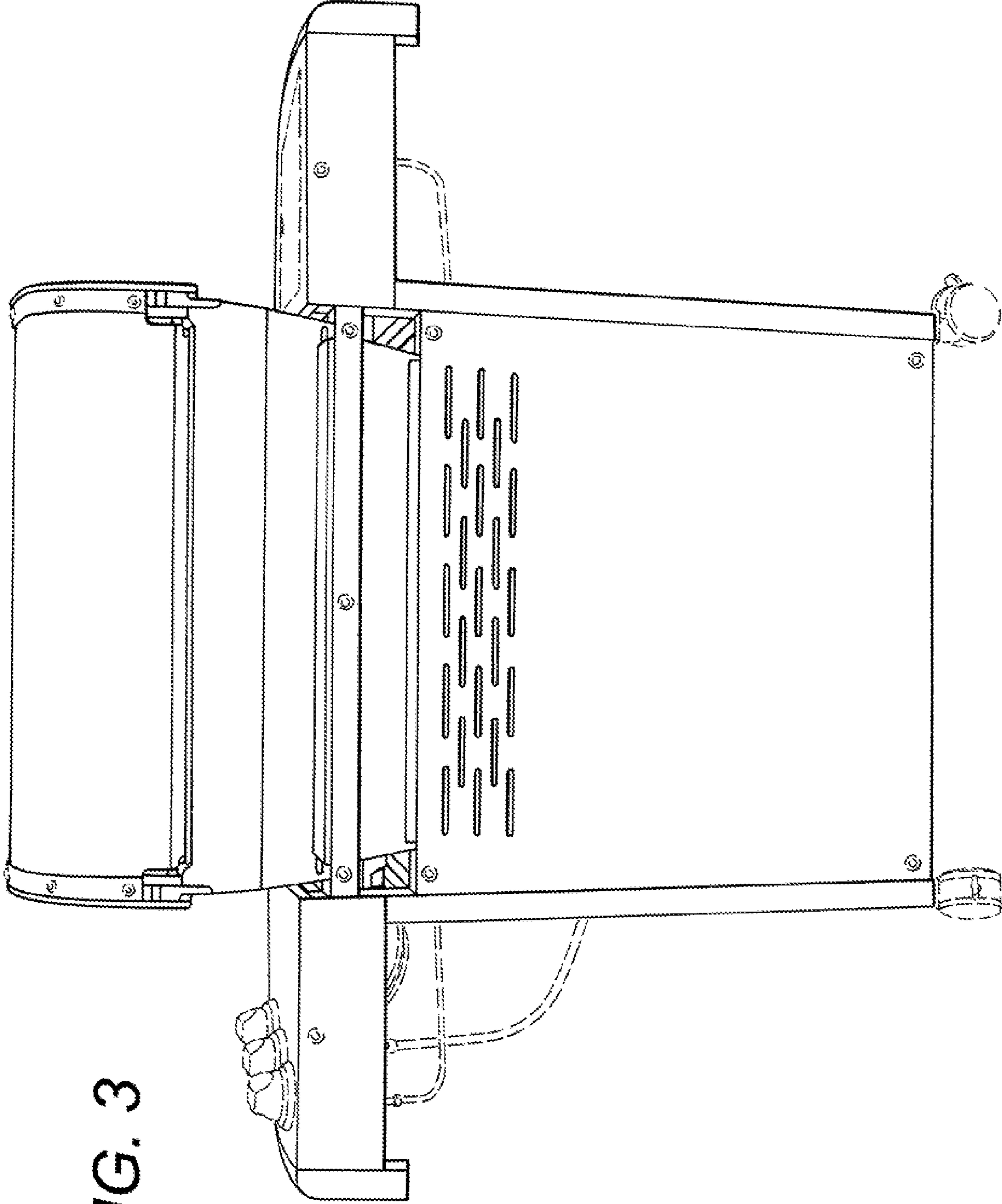


FIG. 3

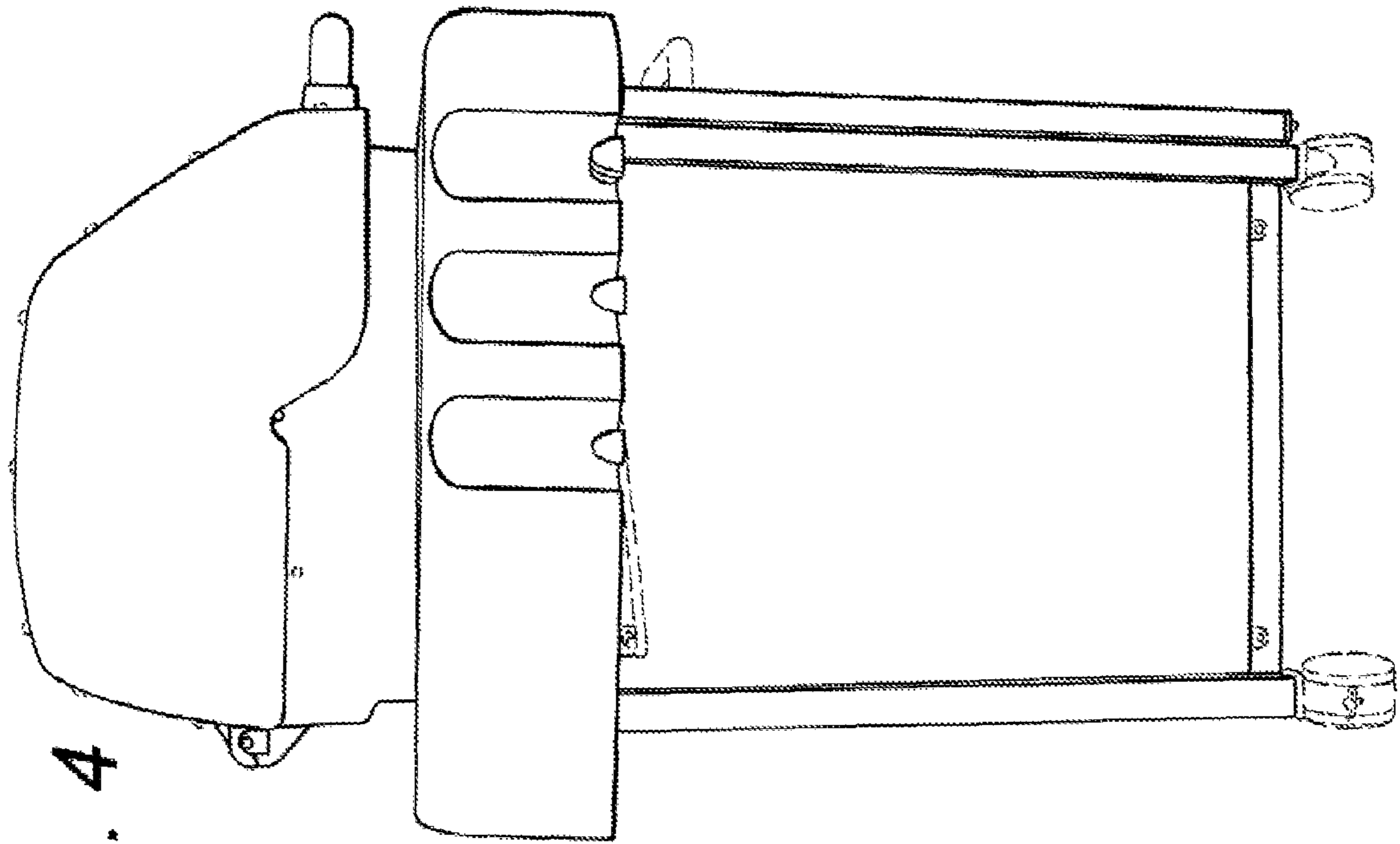


FIG. 4

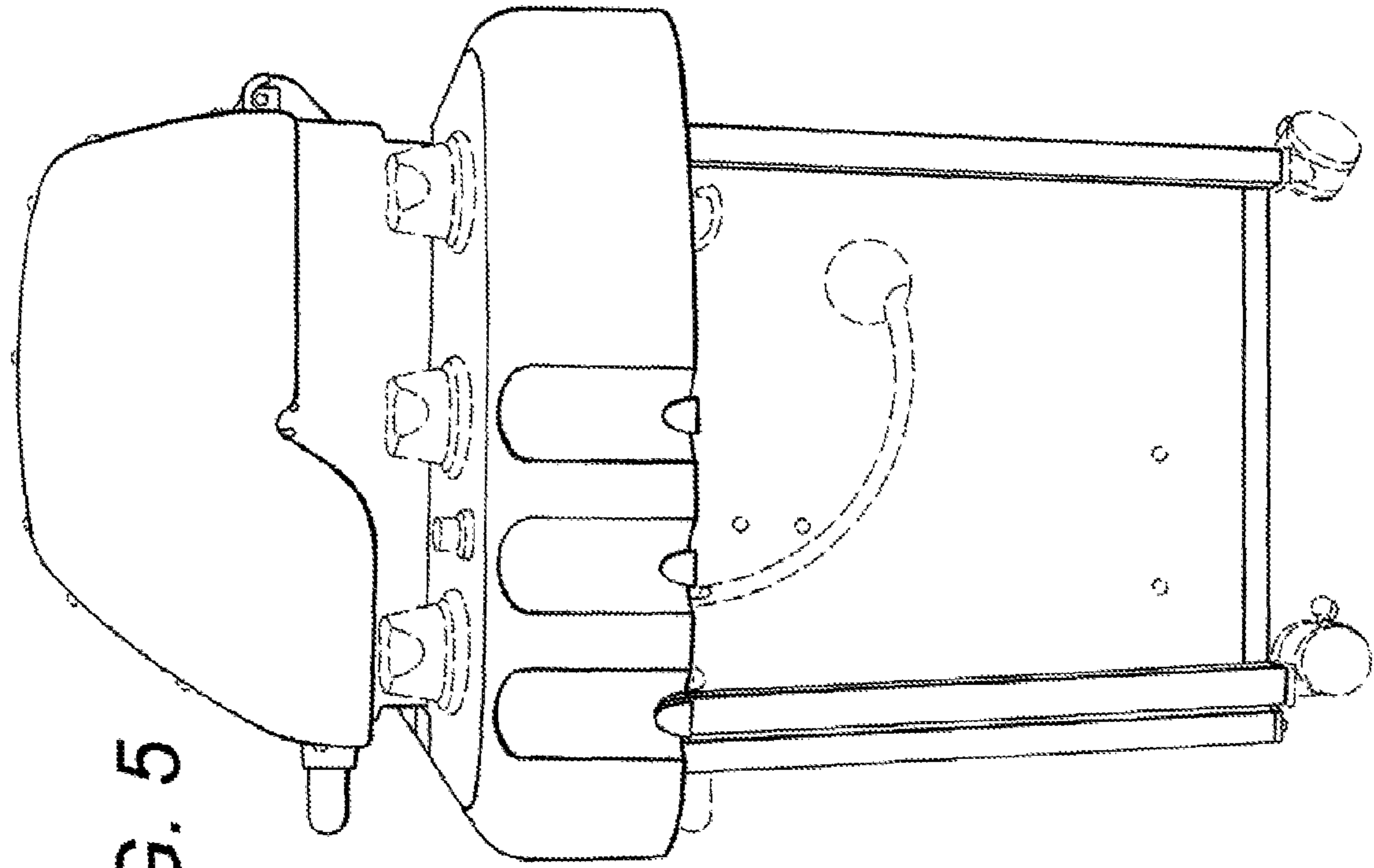


FIG. 5