



US00D609040S

(12) **United States Design Patent**
Koury

(10) **Patent No.:** **US D609,040 S**

(45) **Date of Patent:** **** Feb. 2, 2010**

(54) **BATH ACCESSORY POST**

(75) Inventor: **Steffen F. Koury**, Everett, MA (US)

(73) Assignee: **Liberty Hardware Mfg. Corp.**,
Winston-Salem, NC (US)

(**) Term: **14 Years**

(21) Appl. No.: **29/328,766**

(22) Filed: **Dec. 2, 2008**

(51) **LOC (9) Cl.** **06-04**

(52) **U.S. Cl.** **D6/550; D6/524**

(58) **Field of Classification Search** D6/518-524,
D6/546-550, 323; D8/300, 370, 315; 108/28-29;
211/13.1, 16, 85.5, 86.01, 87.01, 88.04, 100,
211/105.1, 105.2, 106, 113, 123, 181.1, 182-183;
248/49, 175, 176.1, 200, 201, 205.1, 251,
248/302, 309.1, 315; 242/570, 590, 595-598
See application file for complete search history.

(56) **References Cited**

U.S. PATENT DOCUMENTS

D204,057 S *	3/1966	Doty et al.	D8/363
D334,315 S *	3/1993	Bengtson	D6/524
D361,006 S *	8/1995	Sharpe	D6/524
D375,011 S *	10/1996	Lee	D6/550
D418,345 S *	1/2000	Chen	D6/550
D448,593 S *	10/2001	Harvey	D6/550

D454,744 S *	3/2002	Ou-Young	D6/550
D455,034 S *	4/2002	Ou-Young	D6/524
D461,353 S *	8/2002	Gilbert	D6/549
D463,934 S *	10/2002	Gilbert et al.	D6/549
D476,836 S *	7/2003	Lai	D6/524
D477,954 S *	8/2003	Gilbert	D6/549
D492,523 S *	7/2004	Graves et al.	D6/524
D492,870 S *	7/2004	Graves et al.	D6/549
D529,743 S *	10/2006	Gilbert	D6/550
D533,385 S *	12/2006	Murray	D6/550

* cited by examiner

Primary Examiner—Brian N Vinson

(74) *Attorney, Agent, or Firm*—Edgar A. Zarins; Nirav D. Parikh

(57) **CLAIM**

The ornamental design for a bath accessory post, as shown and described.

DESCRIPTION

FIG. 1 is a perspective view of a bath accessory post showing my new design;

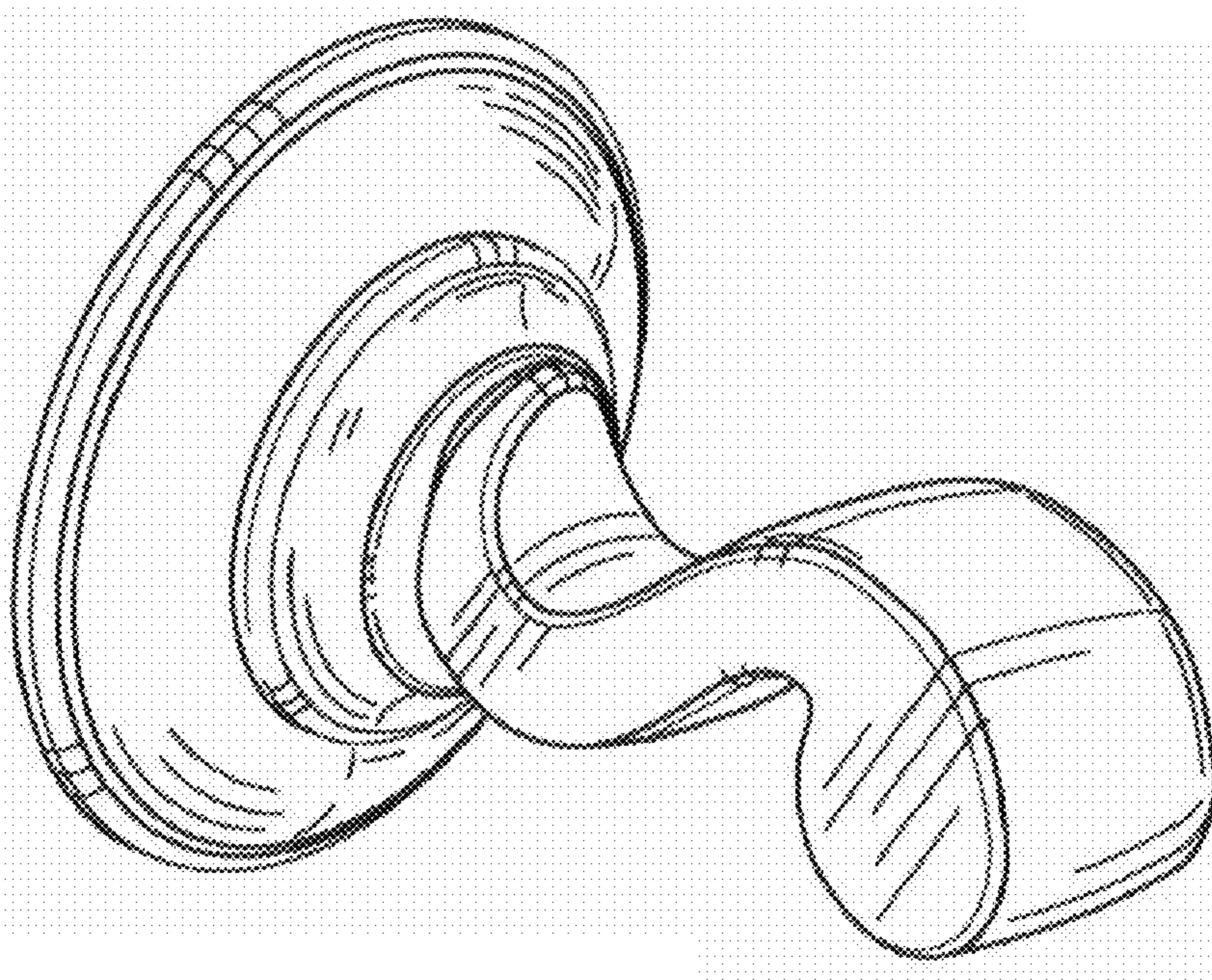
FIG. 2 is a right side view thereof, the opposite side being a mirror image of the side shown;

FIG. 3 is a front elevational view thereof;

FIG. 4 is a top plan view thereof; and,

FIG. 5 is a bottom plan view thereof.

1 Claim, 1 Drawing Sheet



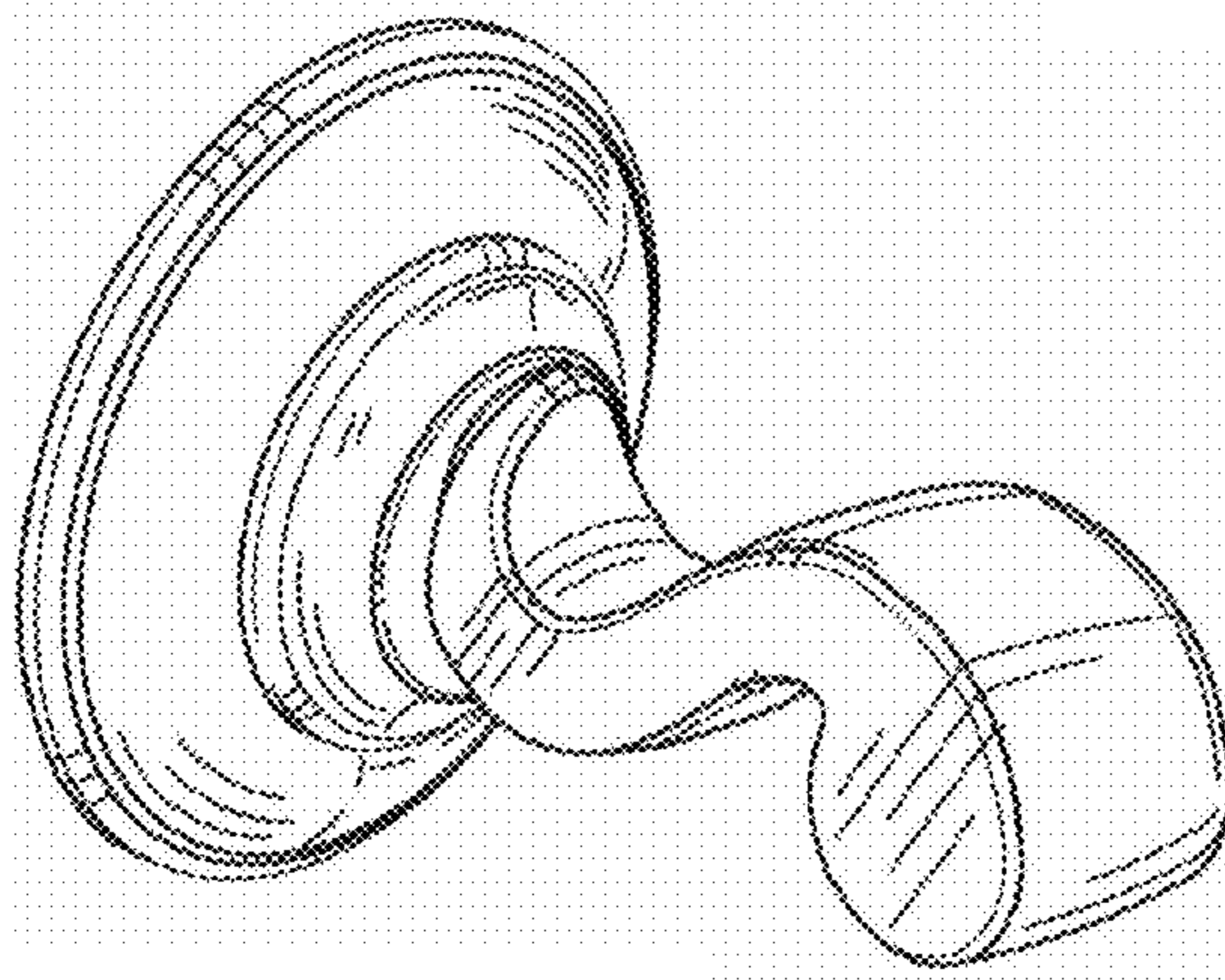


Fig-1

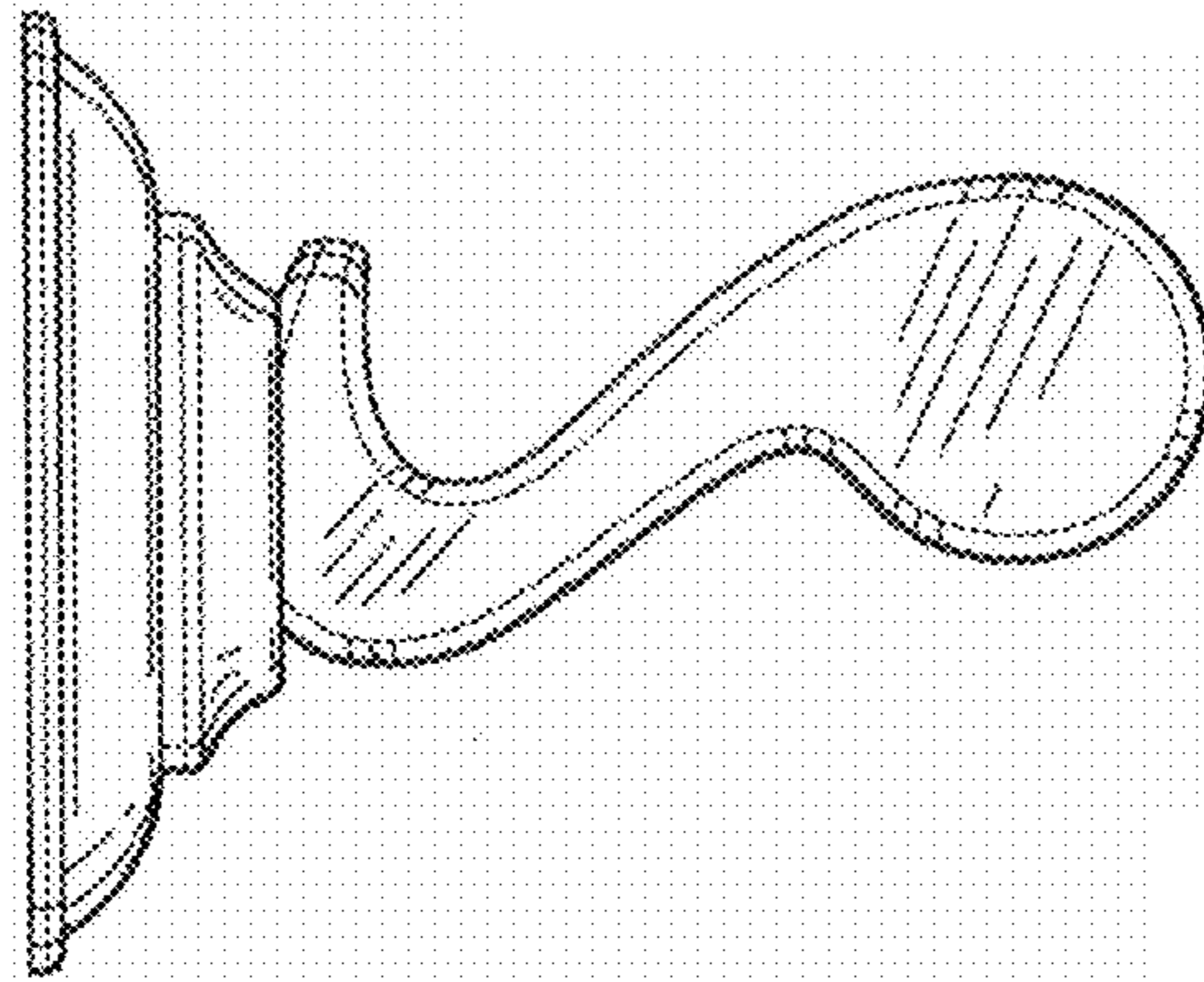


Fig-2

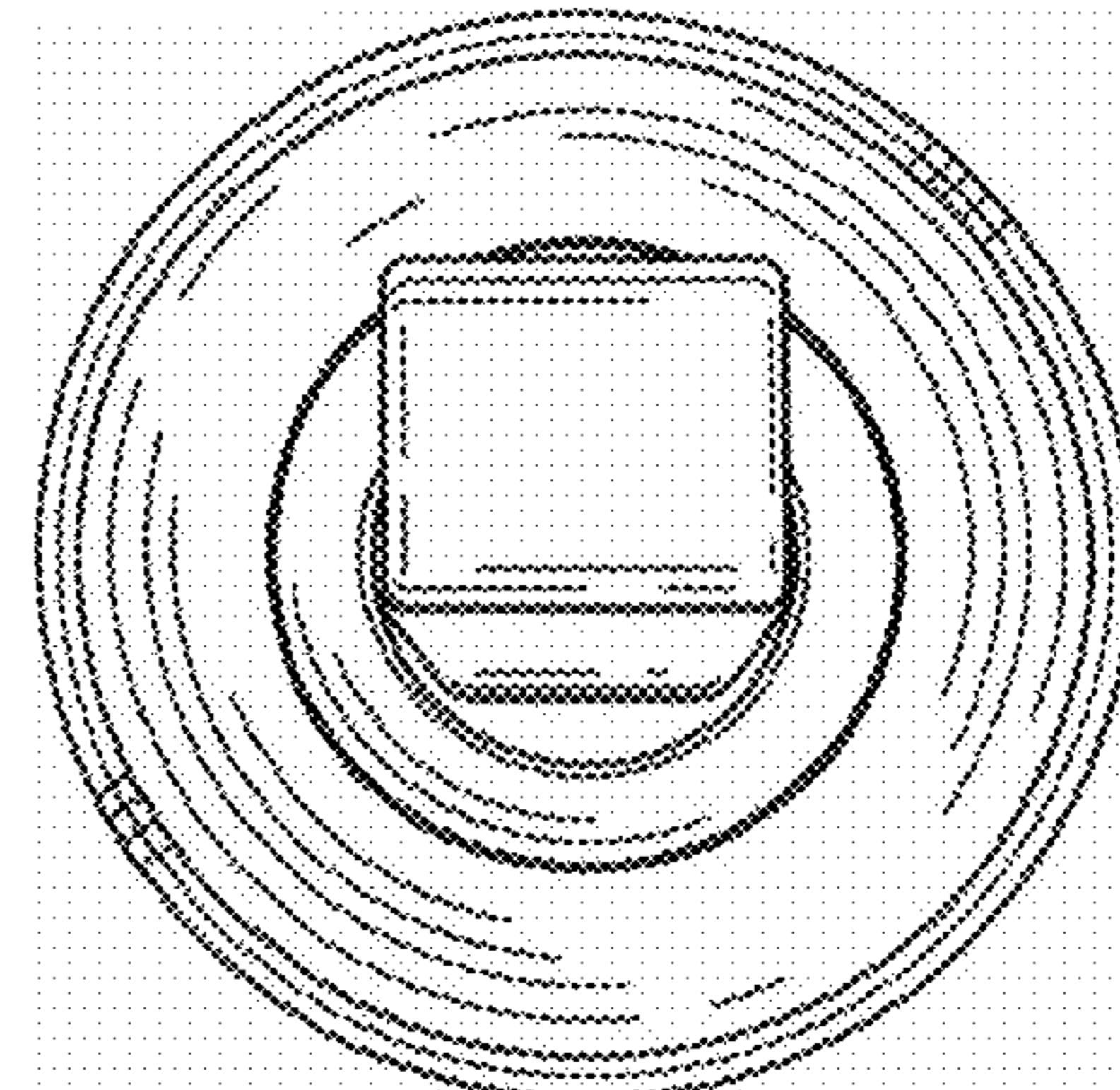


Fig-3

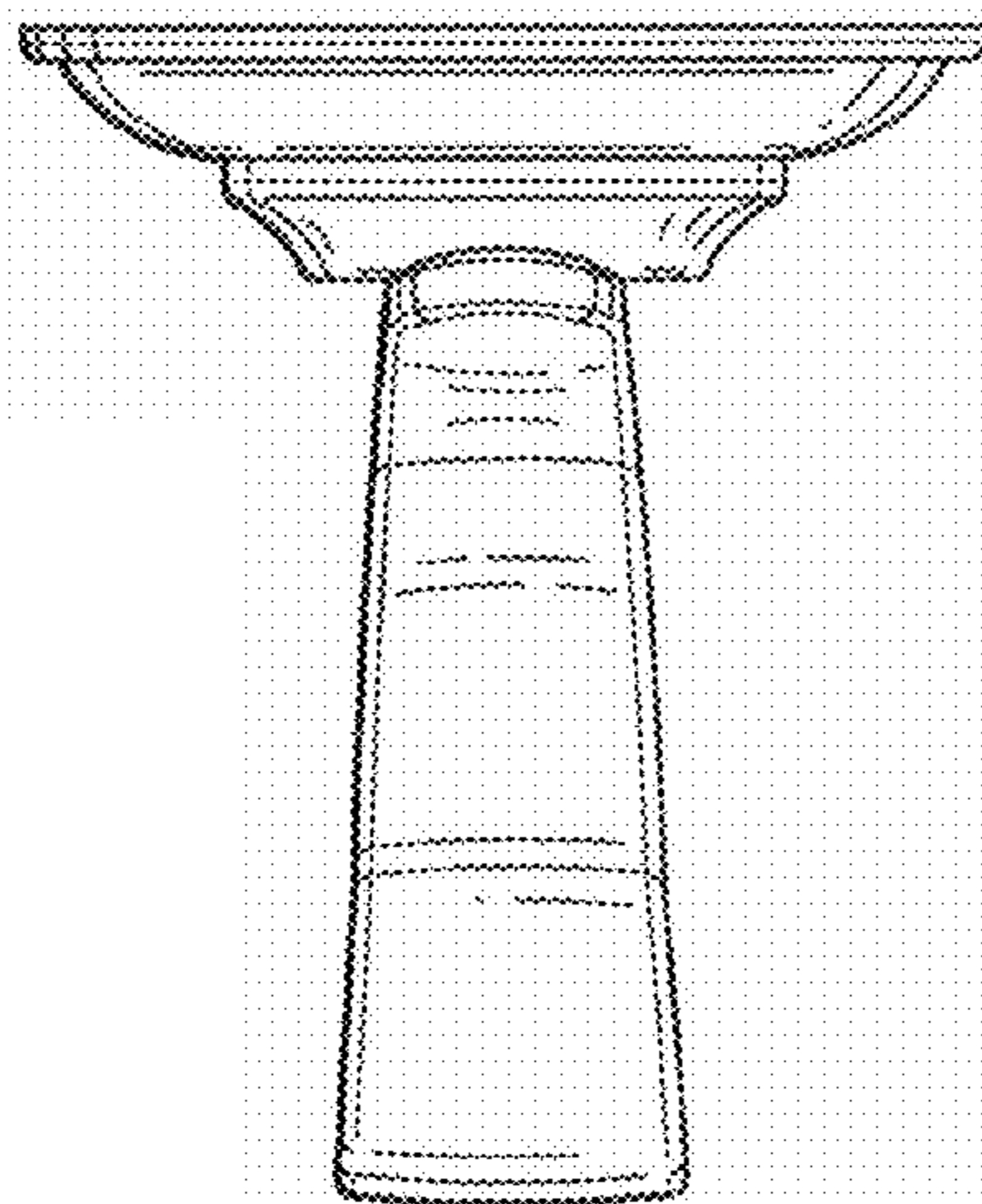


Fig-4

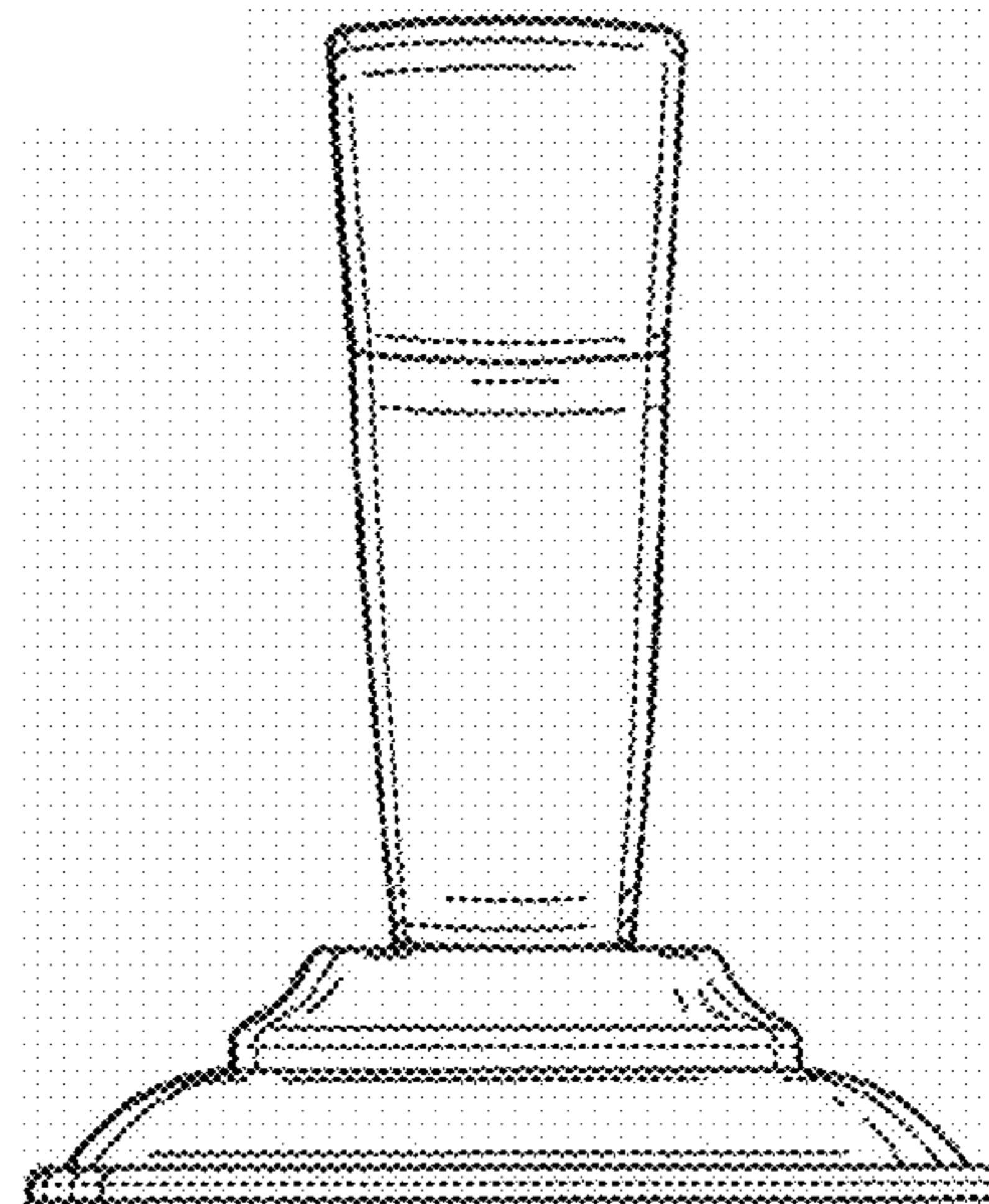


Fig-5