



US00D609039S

(12) **United States Design Patent**
Serfaty

(10) **Patent No.:** **US D609,039 S**

(45) **Date of Patent:** **** Feb. 2, 2010**

(54) **DISPENSER FOR WET AND DRY PAPER**

(76) Inventor: **Armand Serfaty**, 130 West 57th St., New York, NY (US) 10019

(**) Term: **14 Years**

(21) Appl. No.: **29/342,447**

(22) Filed: **Aug. 25, 2009**

Related U.S. Application Data

(62) Division of application No. 29/334,866, filed on Apr. 3, 2009, now Pat. No. Des. 600,959, which is a division of application No. 29/308,283, filed on Jun. 6, 2008, now Pat. No. Des. 591,990.

(51) **LOC (9) Cl.** **20-02**

(52) **U.S. Cl.** **D6/518**

(58) **Field of Classification Search** D6/518-523;
206/389, 390, 395; 221/282-283; 312/34.8;
242/570, 560, 590, 597.7, 598

See application file for complete search history.

(56) **References Cited**

U.S. PATENT DOCUMENTS

D462,860	S	*	9/2002	Orlando	D6/518
D488,655	S	*	4/2004	Tramontina et al.	D6/518
D504,794	S	*	5/2005	Sellars	D6/522
D522,780	S	*	6/2006	Sellars	D6/518
D550,008	S	*	9/2007	Hager et al.	D6/518
D550,999	S	*	9/2007	Formon et al.	D6/518

D551,477	S	*	9/2007	Kikuchi	D6/522
D557,959	S	*	12/2007	Pommier et al.	D6/523
D564,269	S	*	3/2008	Paal et al.	D6/518
D569,667	S	*	5/2008	Ovelar	D6/518
D571,135	S	*	6/2008	Collado	D6/518
D572,514	S	*	7/2008	Bickler et al.	D6/518

* cited by examiner

Primary Examiner—Brian N Vinson

(74) *Attorney, Agent, or Firm*—Ladas and Parry LLP

(57) **CLAIM**

The ornamental design for a dispenser for wet and dry paper, as shown and described.

DESCRIPTION

FIG. 1 is a top, front, and right side perspective view of a dispenser for wet and dry paper showing my new design;

FIG. 2 is a front elevational view thereof;

FIG. 3 is a top plan view thereof;

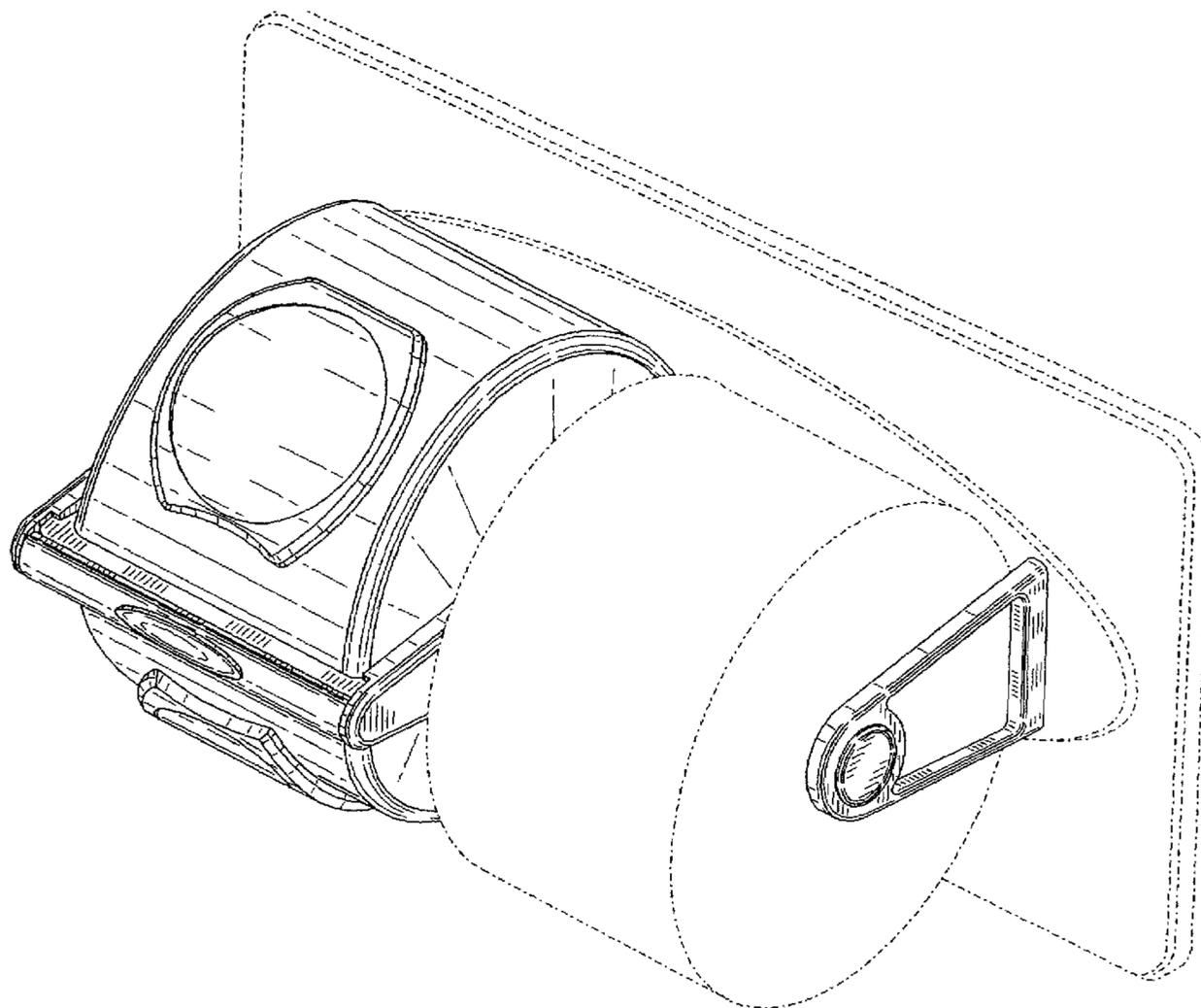
FIG. 4 is a left side elevational view thereof;

FIG. 5 is a right side elevational view thereof; and,

FIG. 6 is a rear elevational view thereof.

The broken-line disclosure show both a toilet roll shown for illustrative purposes only, and portions of the article in which the claimed design is embodied, but which form no part of the claimed design.

1 Claim, 6 Drawing Sheets



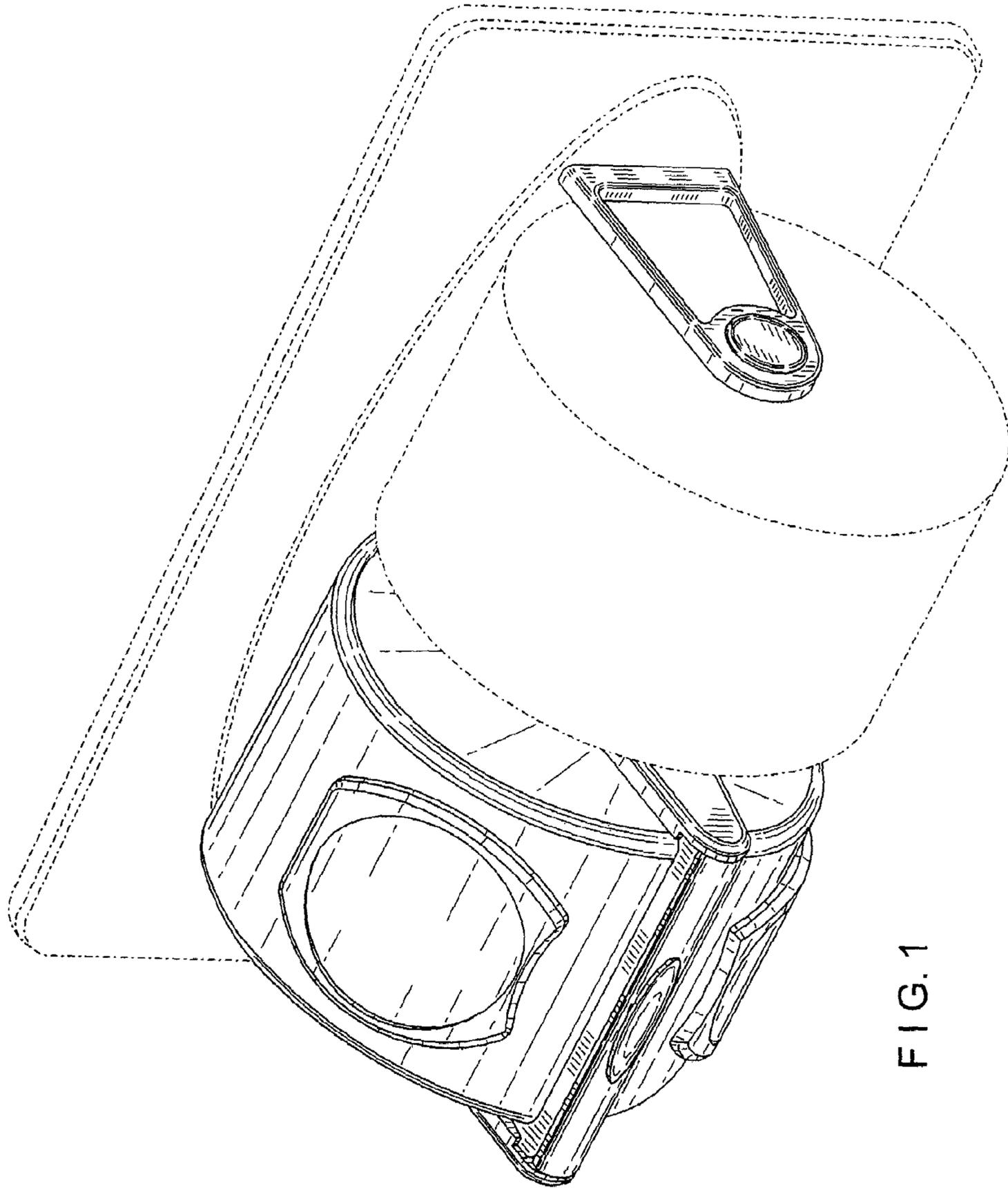


FIG. 1

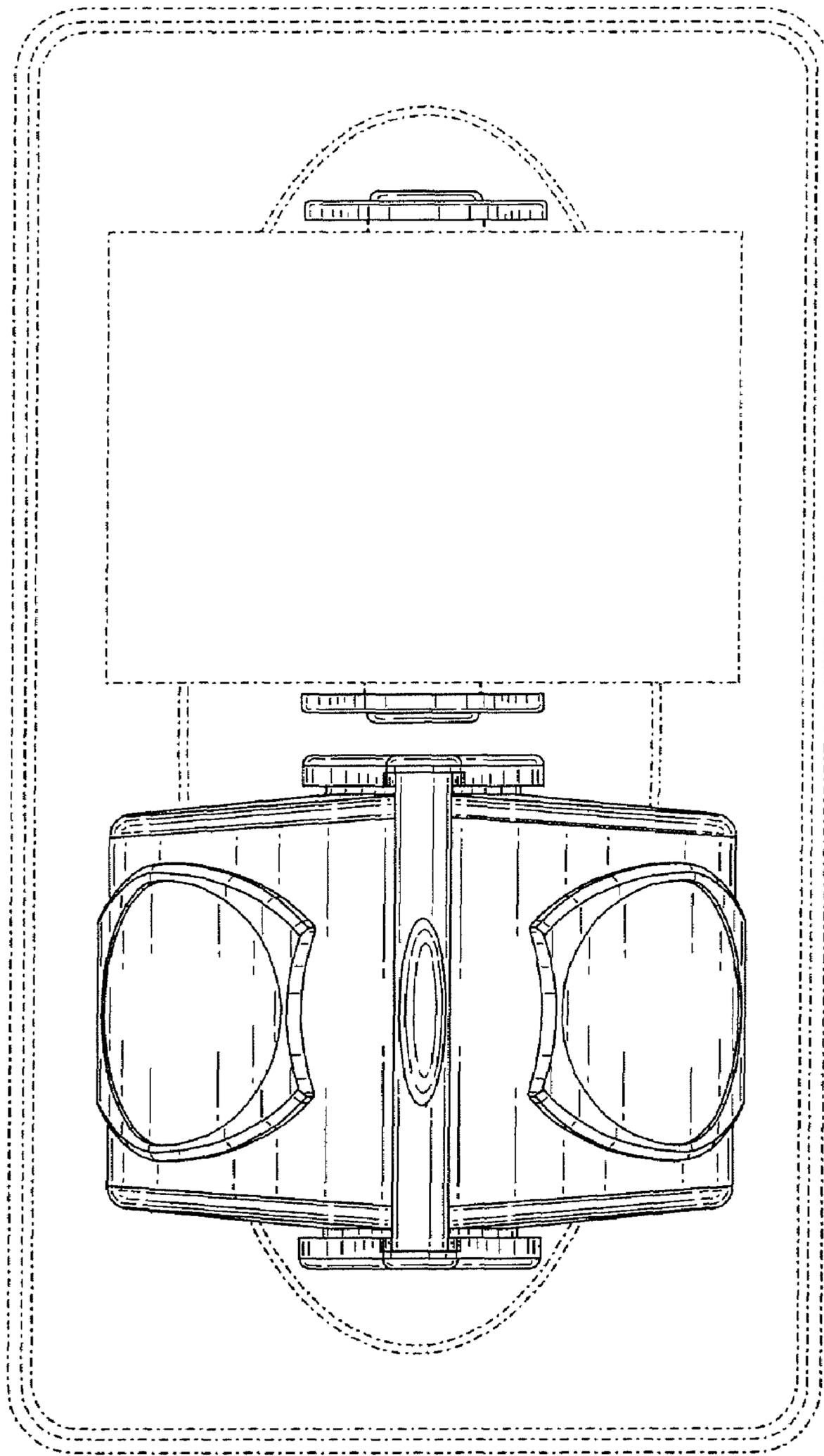


FIG. 2

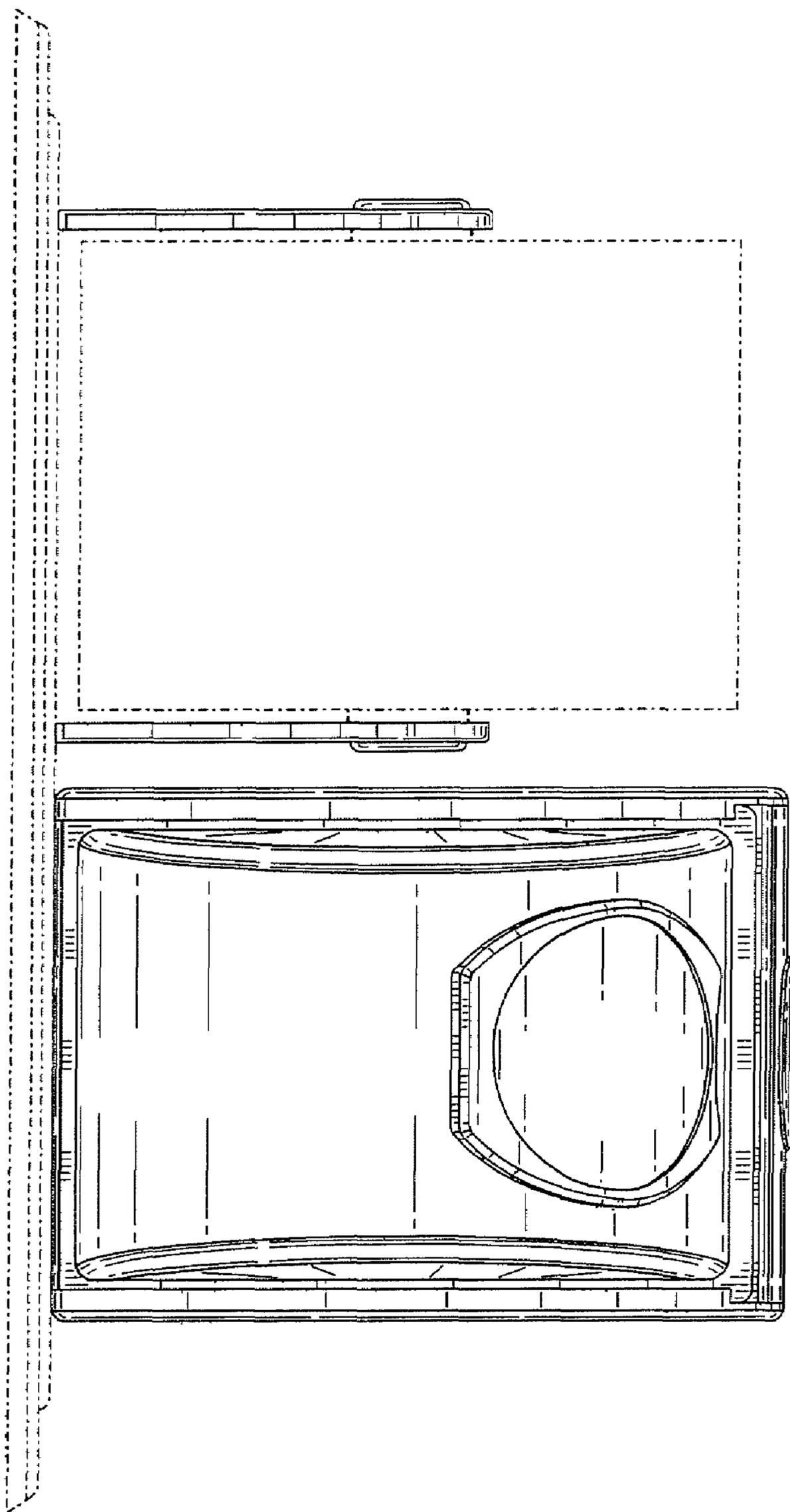


FIG. 3

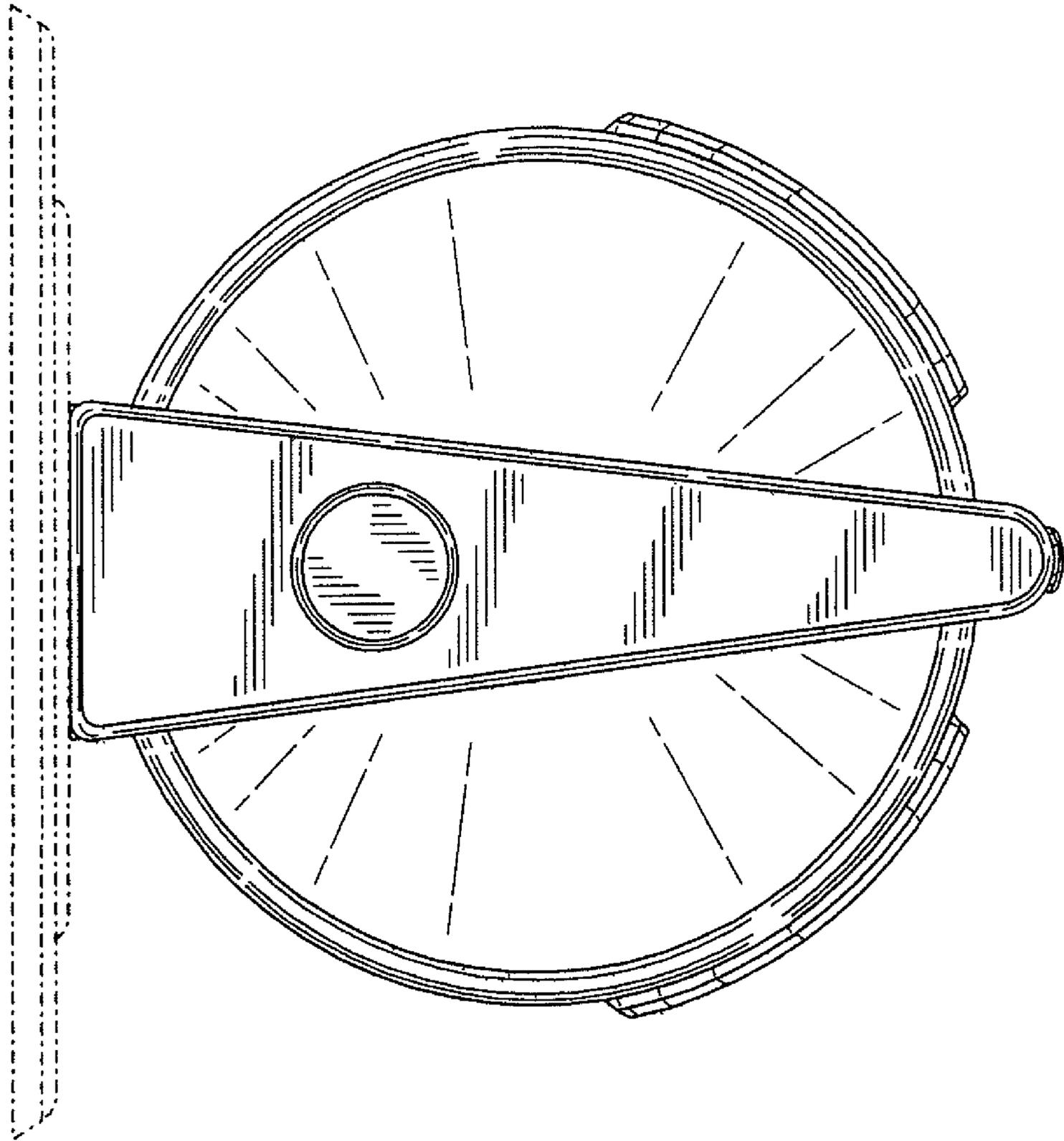


FIG. 4

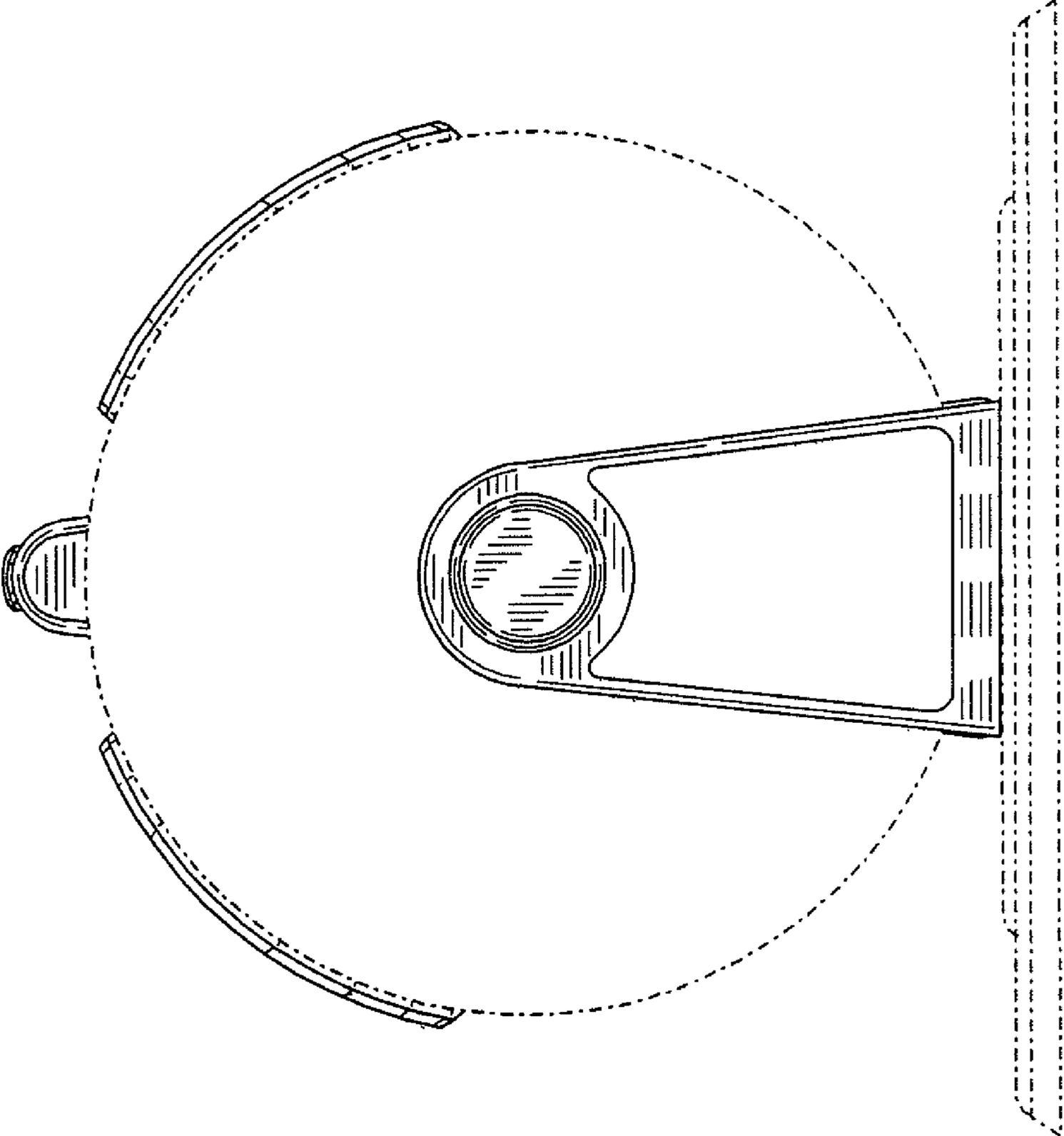


FIG. 5

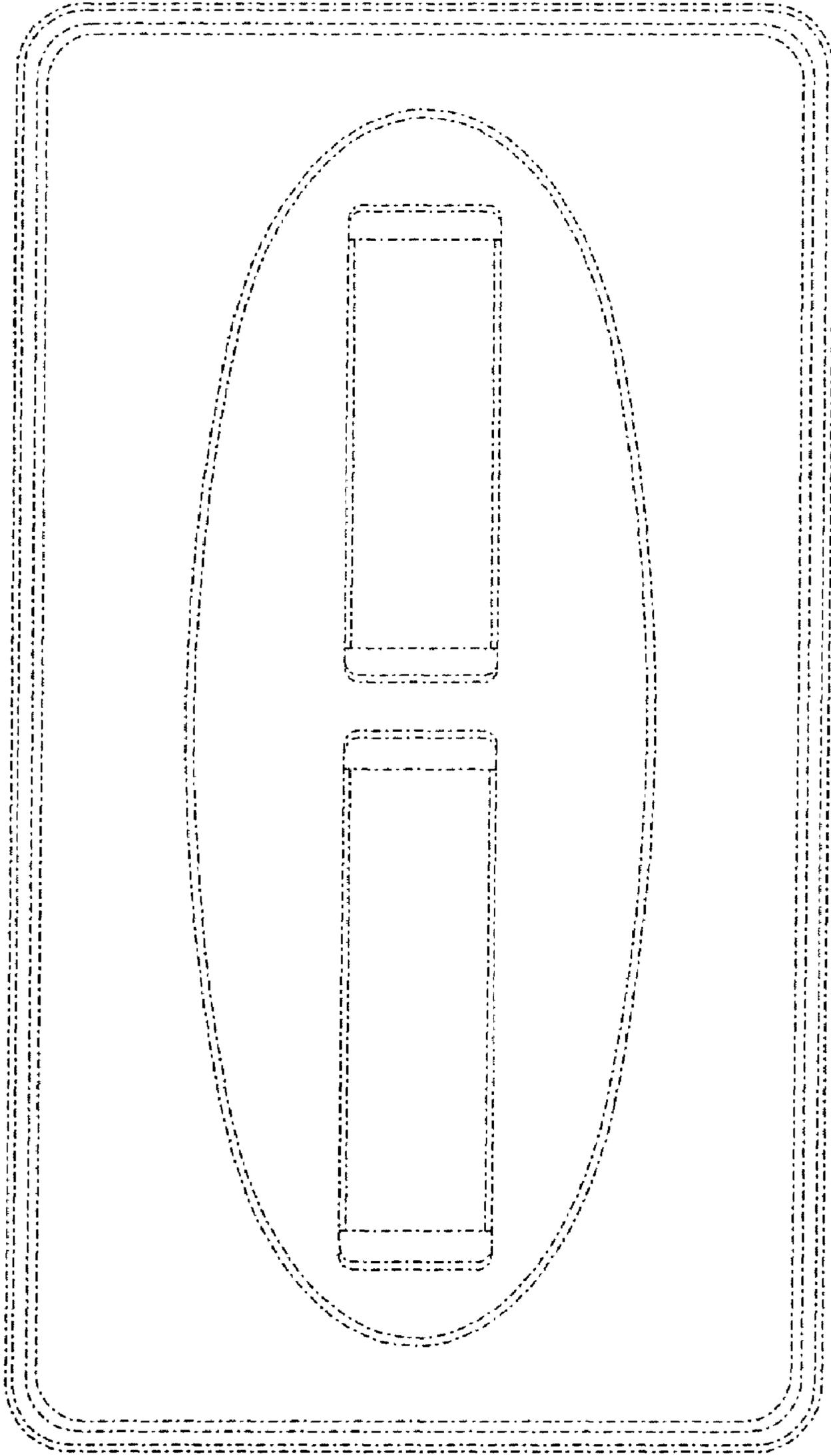


FIG. 6