



US00D609035S

(12) **United States Design Patent**
Muller

(10) **Patent No.:** **US D609,035 S**

(45) **Date of Patent:** **** *Feb. 2, 2010**

(54) **SEAT**

(75) Inventor: **Carl Muller**, Huntington Beach, CA
(US)

(73) Assignee: **Elite Mfg. Corp**, Santa Fe Springs, CA
(US)

(*) Notice: This patent is subject to a terminal disclaimer.

(**) Term: **14 Years**

(21) Appl. No.: **29/320,208**

(22) Filed: **Jun. 23, 2008**

(51) **LOC (9) Cl.** **06-01**

(52) **U.S. Cl.** **D6/500**

(58) **Field of Classification Search** D6/334-336,
D6/360, 364, 365, 366, 367, 374, 375, 376,
D6/379, 380, 500-502; 297/445.1, 446.1,
297/451.4, 451.5, 452.21, 452.48

See application file for complete search history.

(56) **References Cited**

U.S. PATENT DOCUMENTS

D188,488 S * 8/1960 Otto D6/334
D396,960 S * 8/1998 Maly D6/334

D397,880 S * 9/1998 Saul D6/380
D417,348 S * 12/1999 Vandebek D6/500
D417,970 S * 12/1999 Duffy et al. D6/379
D432,321 S * 10/2000 Buehler D6/334
D569,112 S * 5/2008 Swanson D6/334

* cited by examiner

Primary Examiner—Mimosa De

(57) **CLAIM**

The ornamental design for seat, as shown and described.

DESCRIPTION

FIG. 1 is a perspective view of a first embodiment of a seat showing my new design. The broken lines, showing legs, are included for the purpose of illustrating environment and form no part of the claimed design;

FIG. 2 is a front elevational view;

FIG. 3 is a right side elevational view. The left side is identical;

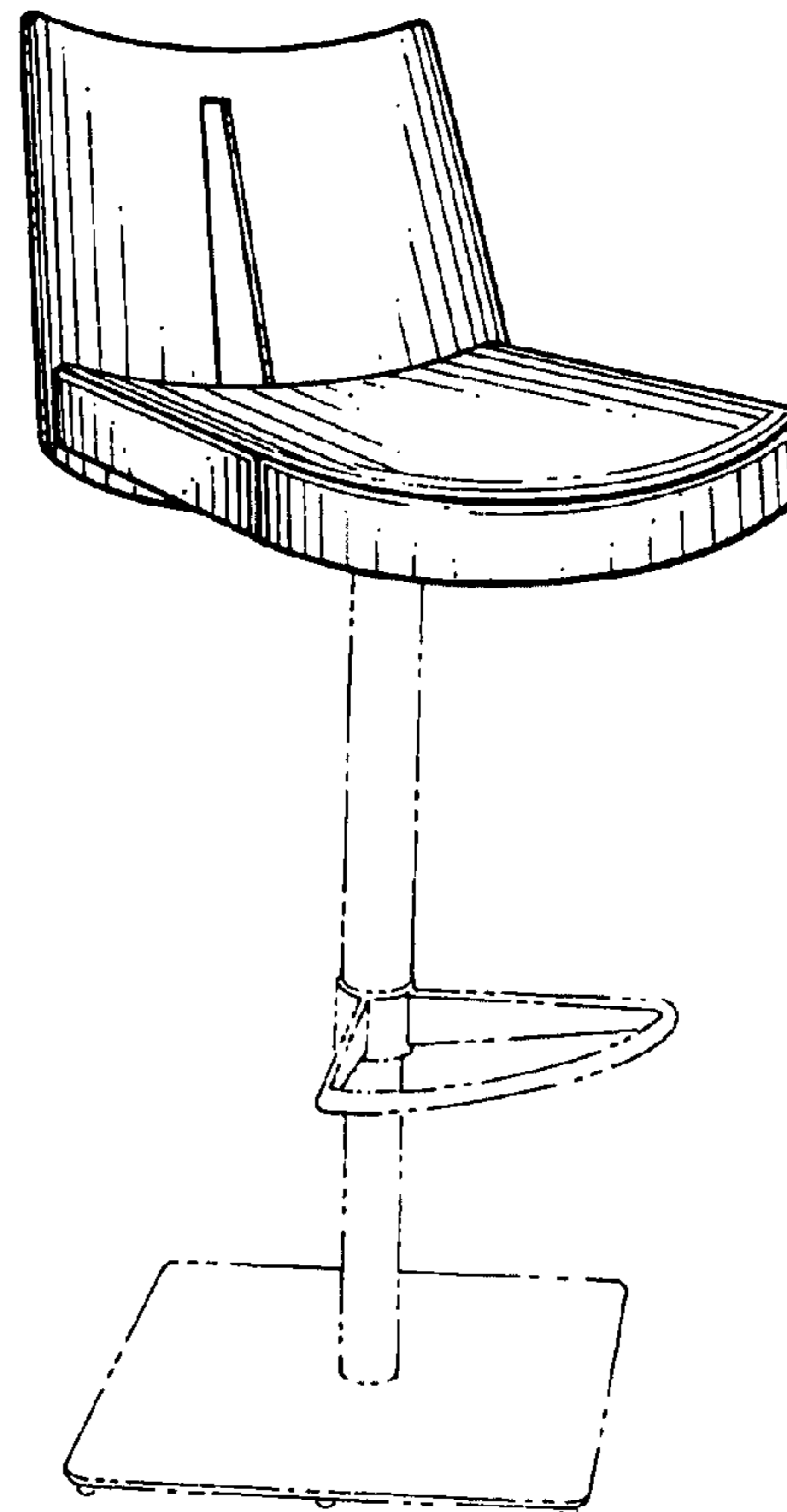
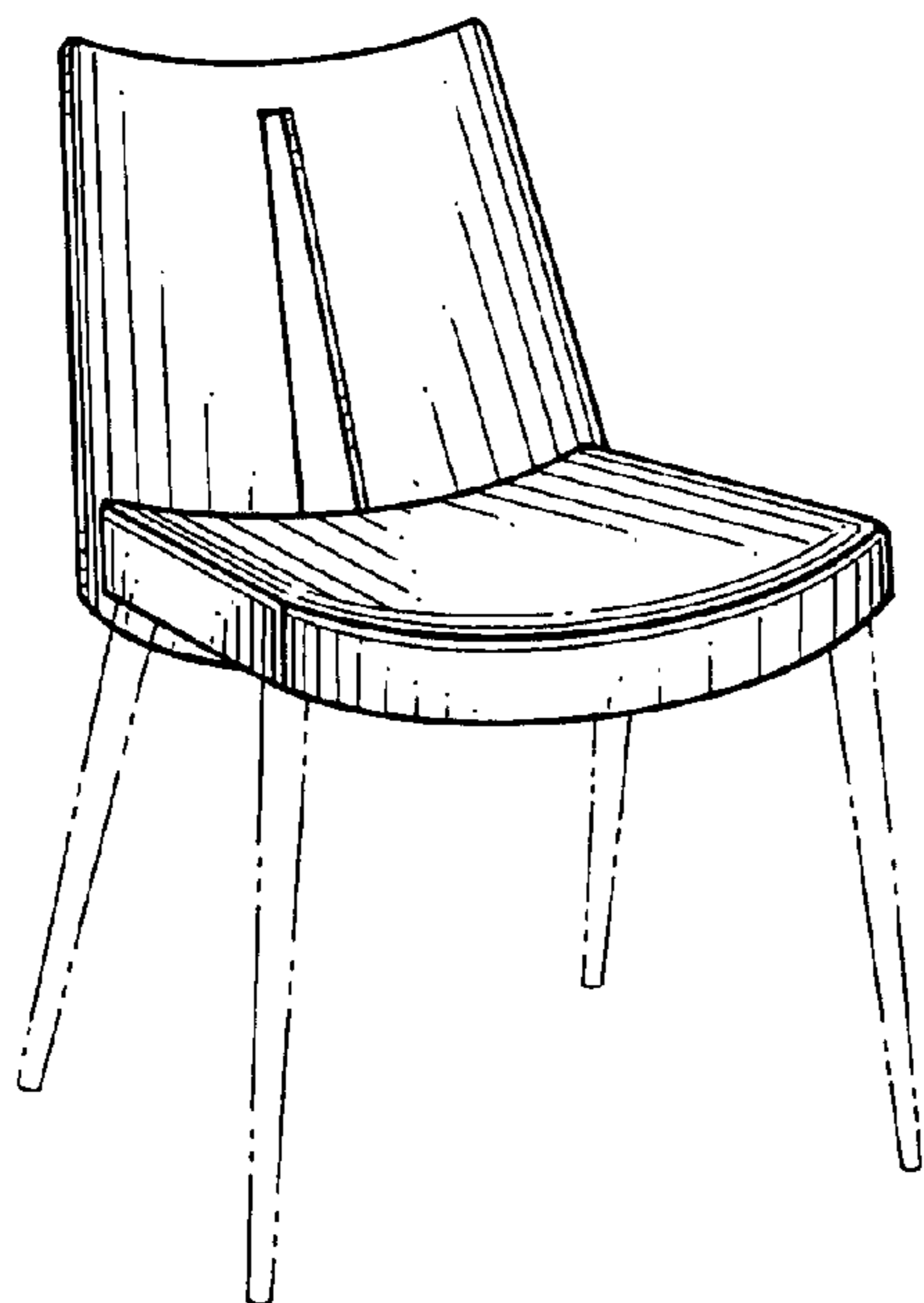
FIG. 4 is a rear elevational view;

FIG. 5 is a top plan view;

FIG. 6 is a bottom plan view; and,

FIG. 7 is an alternate perspective view of a second embodiment similar to FIG. 1.

1 Claim, 6 Drawing Sheets



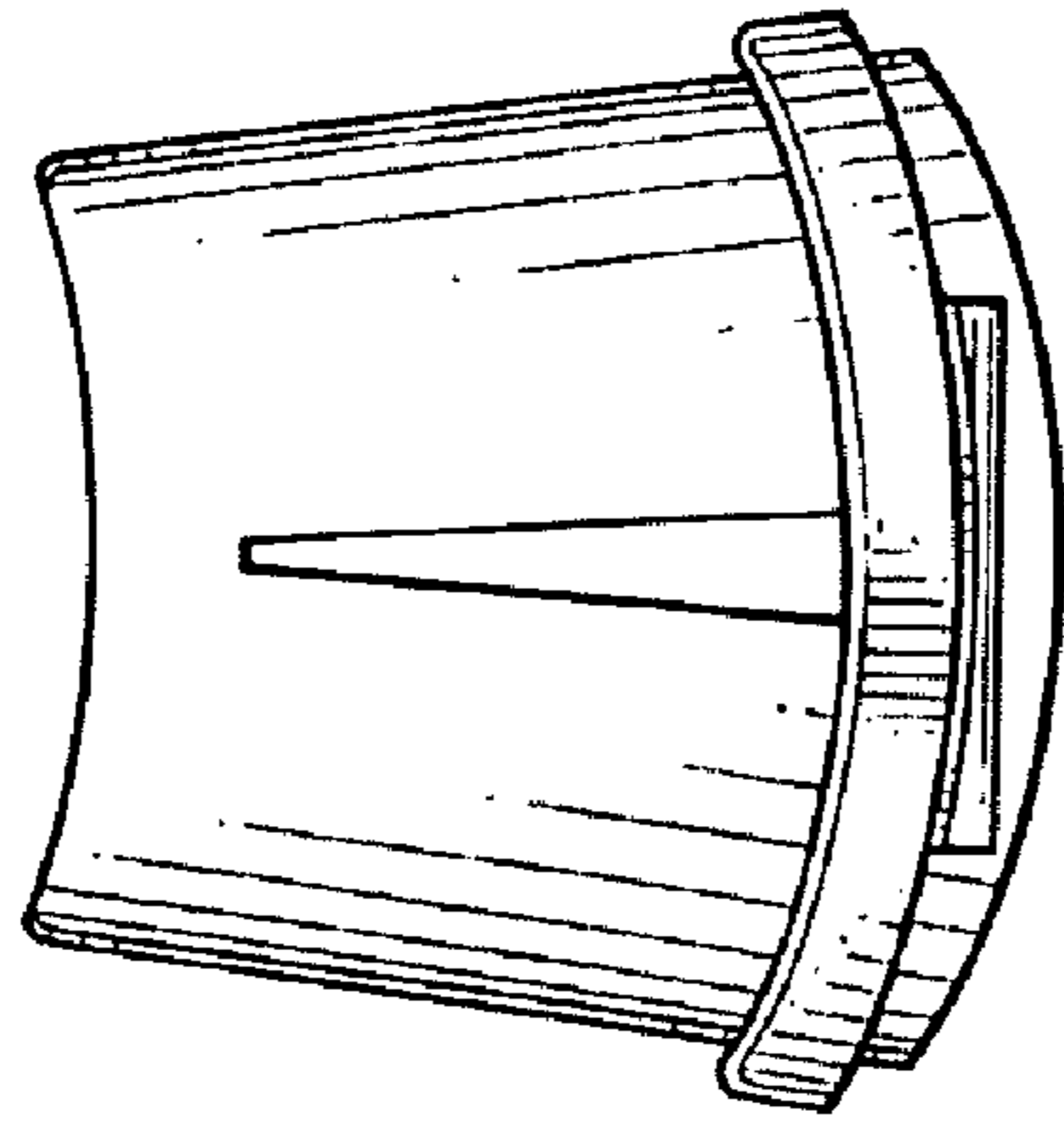


Fig. 2.

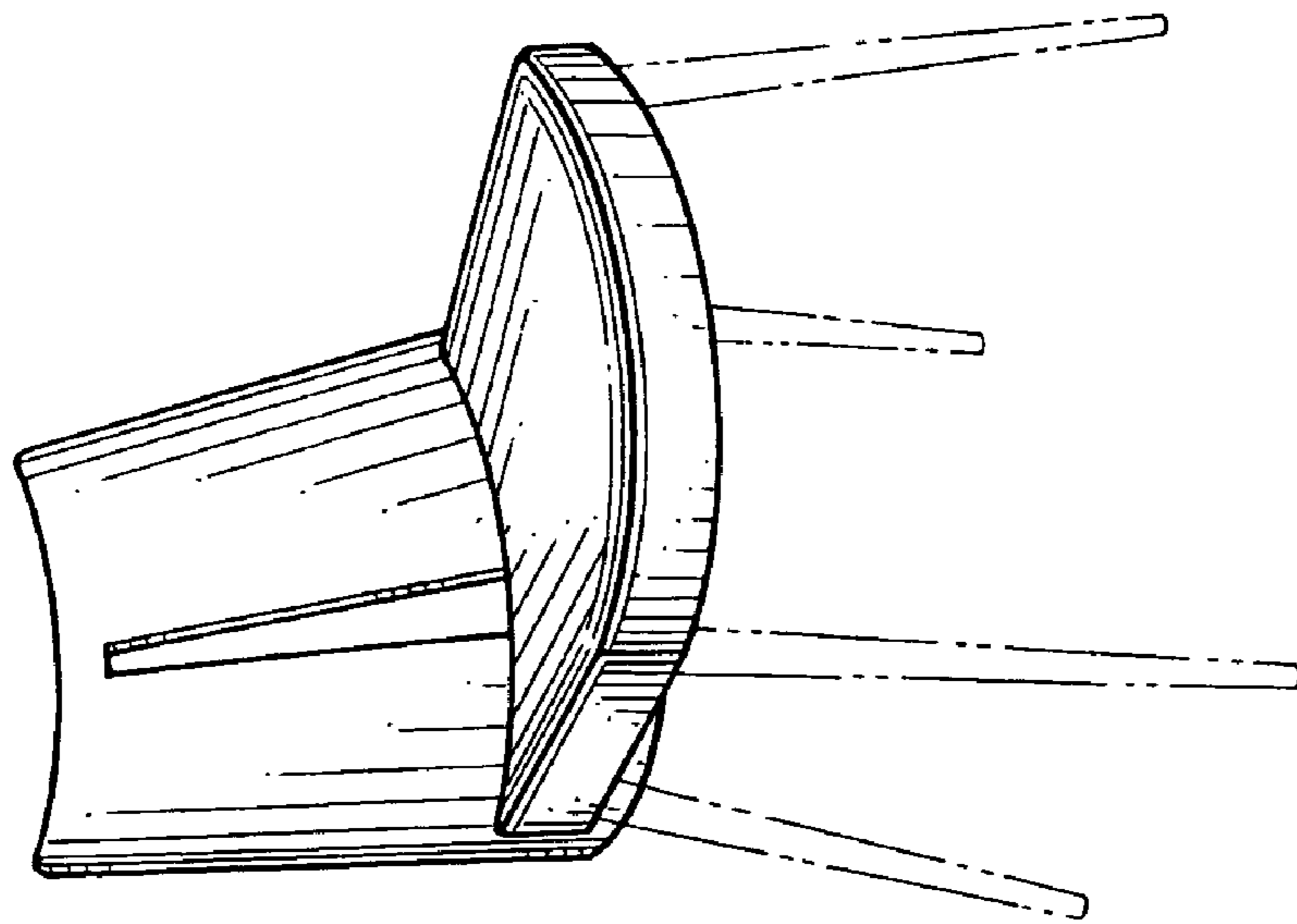


Fig. 1.

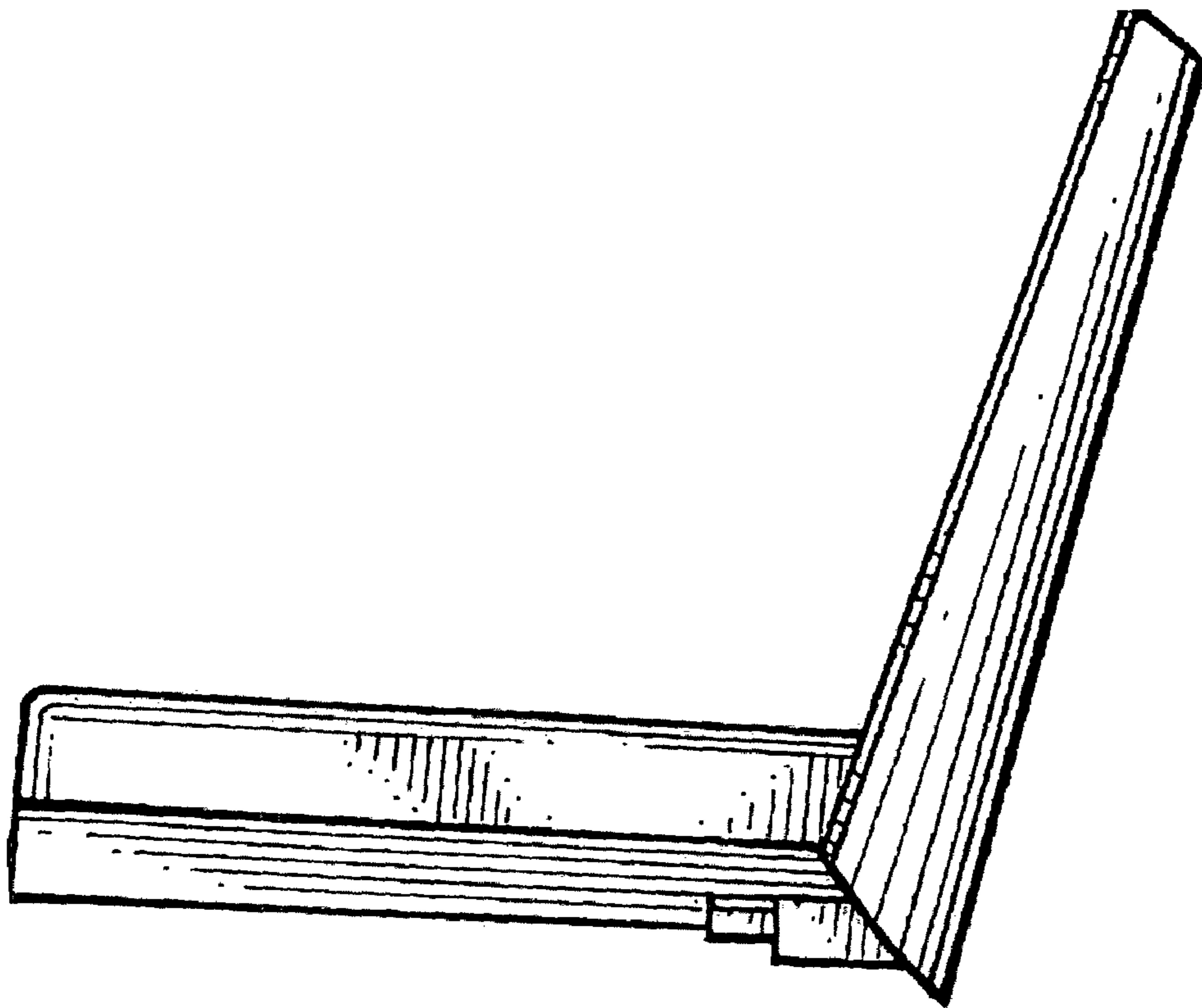


Fig. 3.

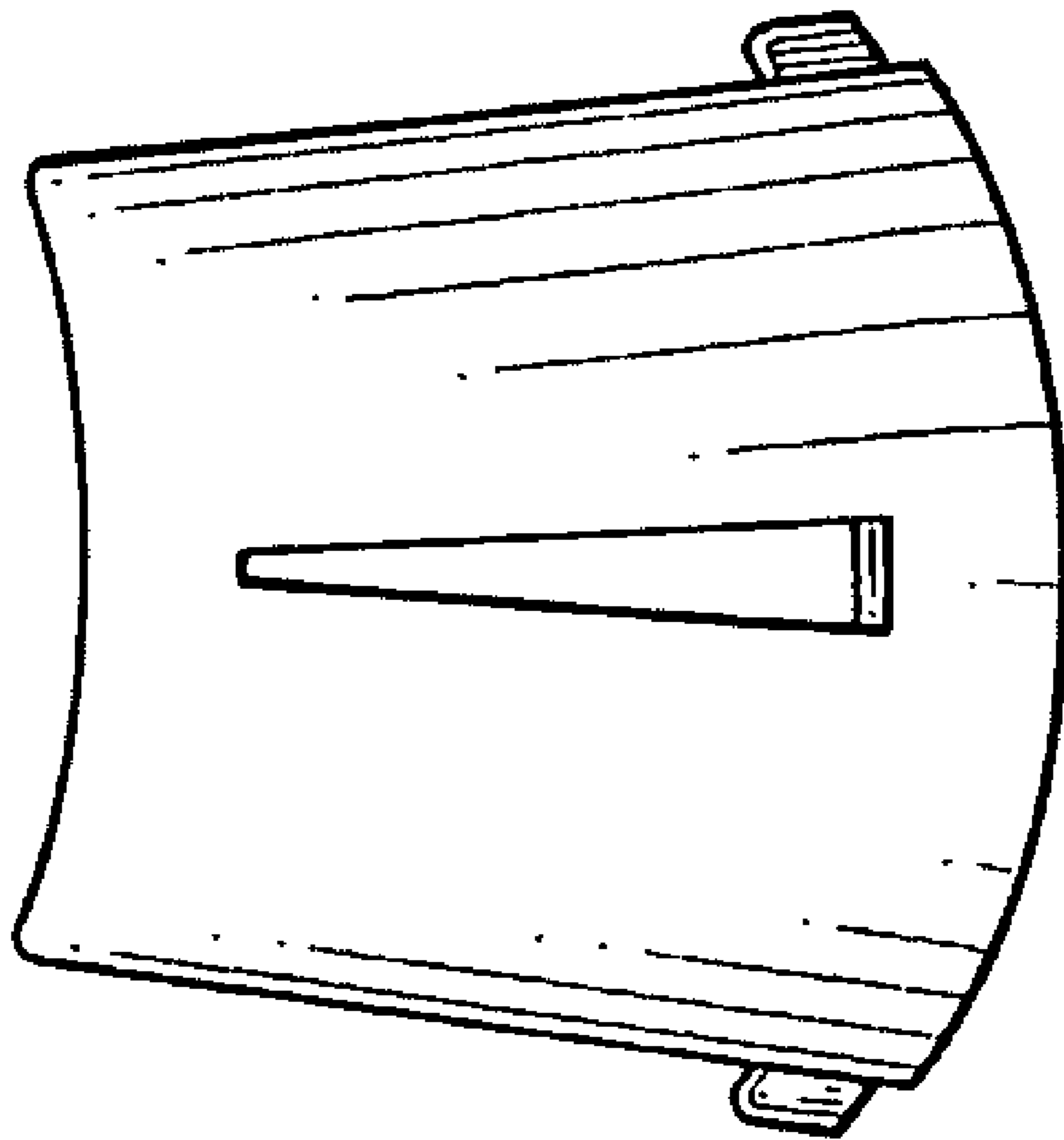


Fig. 4.

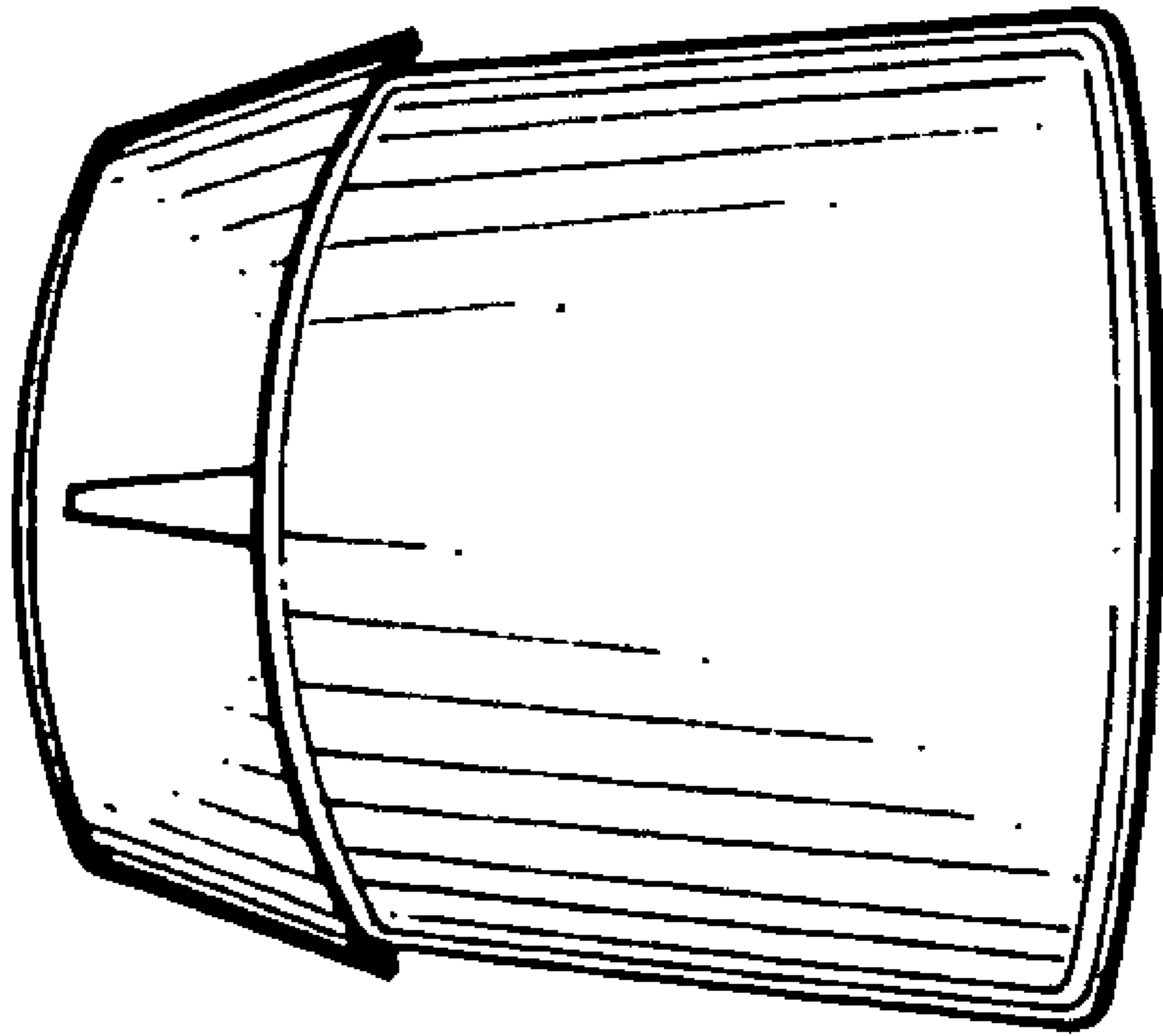


Fig. 5.

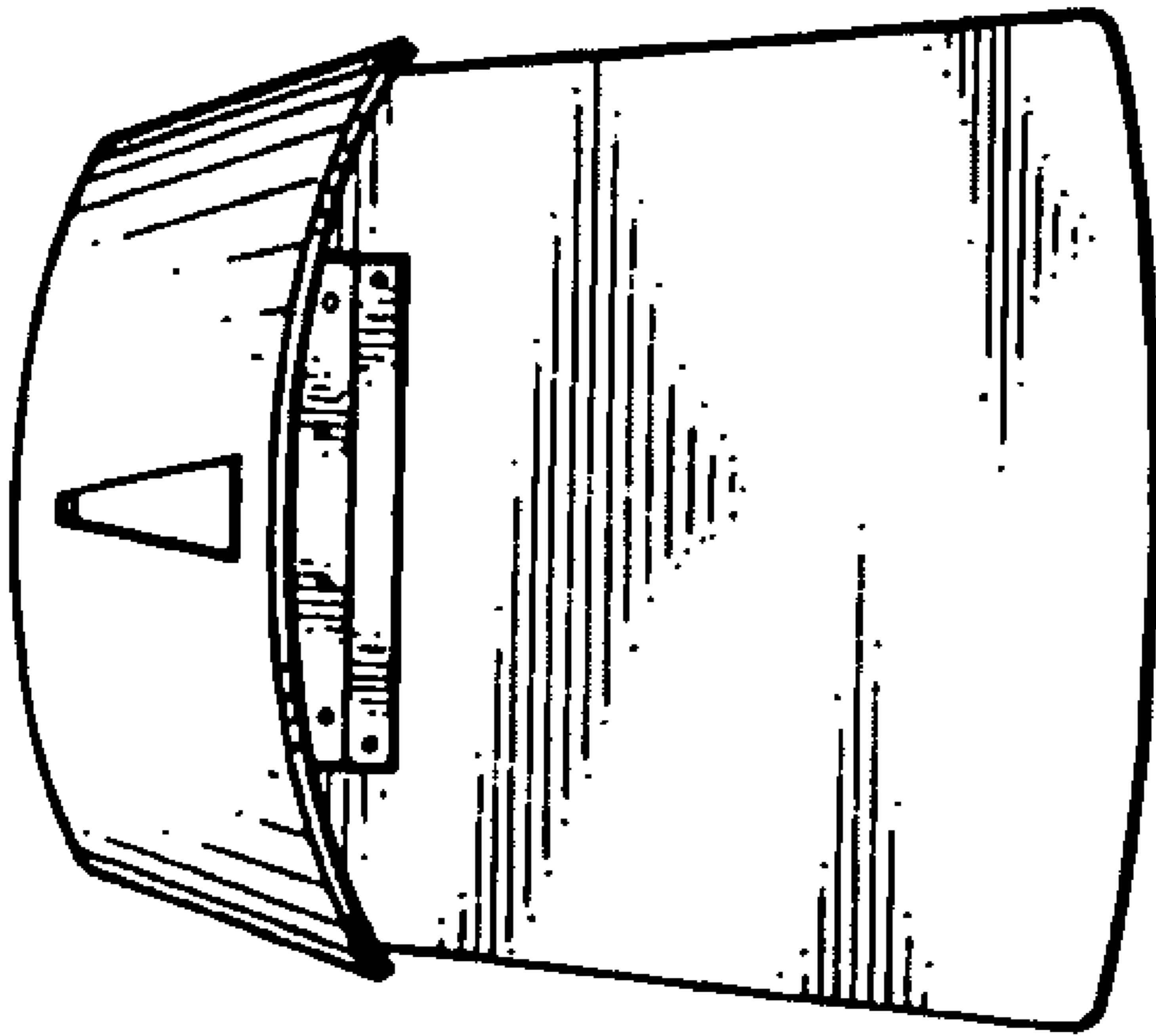


Fig. 6.

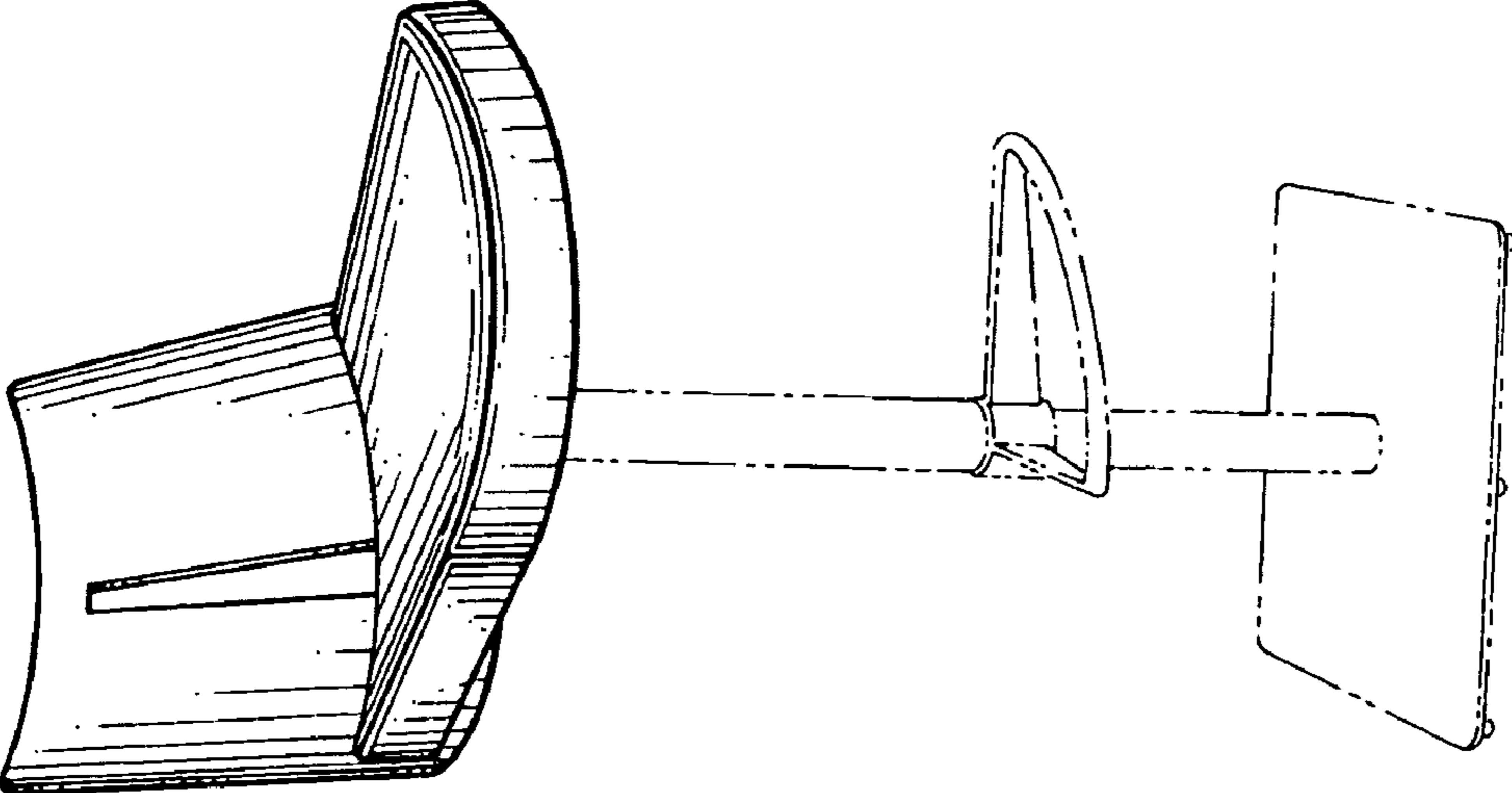


Fig. 7.