

US00D609032S

(12) **United States Design Patent**
Pai et al.

(10) **Patent No.:** **US D609,032 S**
(45) **Date of Patent:** **** Feb. 2, 2010**

(54) **WORKSTATION MODESTY PANEL**

(57) **CLAIM**

(75) Inventors: **Jillian Pai**, Chicago, IL (US); **Sean Scott**, Chicago, IL (US); **Dawn M. Boileau**, Liberty, MO (US)

The ornamental design for a workstation modesty panel, as shown and described.

(73) Assignee: **Surface Technologies, Inc.**, Kansas City, MO (US)

DESCRIPTION

(**) Term: **14 Years**

FIG. 1 is a front perspective view of the modesty panel embodying our design and being depicted as part of a workstation for environmental purposes, with the table legs and desktop of the workstation, the lock mechanism for selectively locking the swingable panel door of the modesty panel in a covering position, the punch-out in the sidewall of the modesty panel chassis, and the corrugations, handle and panel section lines in the panel door being shown in broken lines for illustrative purposes only and forming no part of the claimed design;

(21) Appl. No.: **29/340,042**

(22) Filed: **Jul. 13, 2009**

Related U.S. Application Data

(62) Division of application No. 29/319,592, filed on Jun. 11, 2008, now Pat. No. Des. 596,426.

FIG. 2 is a rear perspective view of the modesty panel shown in FIG. 1, with the wire-access openings in the rear panel of the chassis, the internal details of the modesty panel visible through the wire-access openings, and the hinge for swingably supporting the panel door on the chassis being shown in broken lines for illustrative purposes only and forming no part of the claimed design;

(51) **LOC (9) Cl.** **06-06**

(52) **U.S. Cl.** **D6/491**

(58) **Field of Classification Search** D6/480-489, D6/495-499, 429-430, 491, 509; 108/153.1, 108/155, 156, 161, 50.01, 50.02; 248/188, 248/188.1, 188.8; 312/223.6; D25/126
See application file for complete search history.

FIG. 3 is a front elevational view of the modesty panel shown in FIGS. 1 and 2;

(56) **References Cited**

U.S. PATENT DOCUMENTS

- D287,082 S * 12/1986 Gambon D6/491
- D327,097 S * 6/1992 Stoddard et al. D20/19
- D352,845 S * 11/1994 Hellwig et al. D6/422
- 5,971,508 A * 10/1999 Deimen et al. 312/223.6
- D443,440 S * 6/2001 Deimen et al. D6/480
- 2001/0013305 A1 * 8/2001 Funk et al. 108/50.02

FIG. 4 is a side elevational view of the modesty panel shown in FIGS. 1-3, with the opposite side elevational view being a mirror image thereof;

FIG. 5 is a rear elevational view of the modesty panel shown in FIGS. 1-4;

* cited by examiner

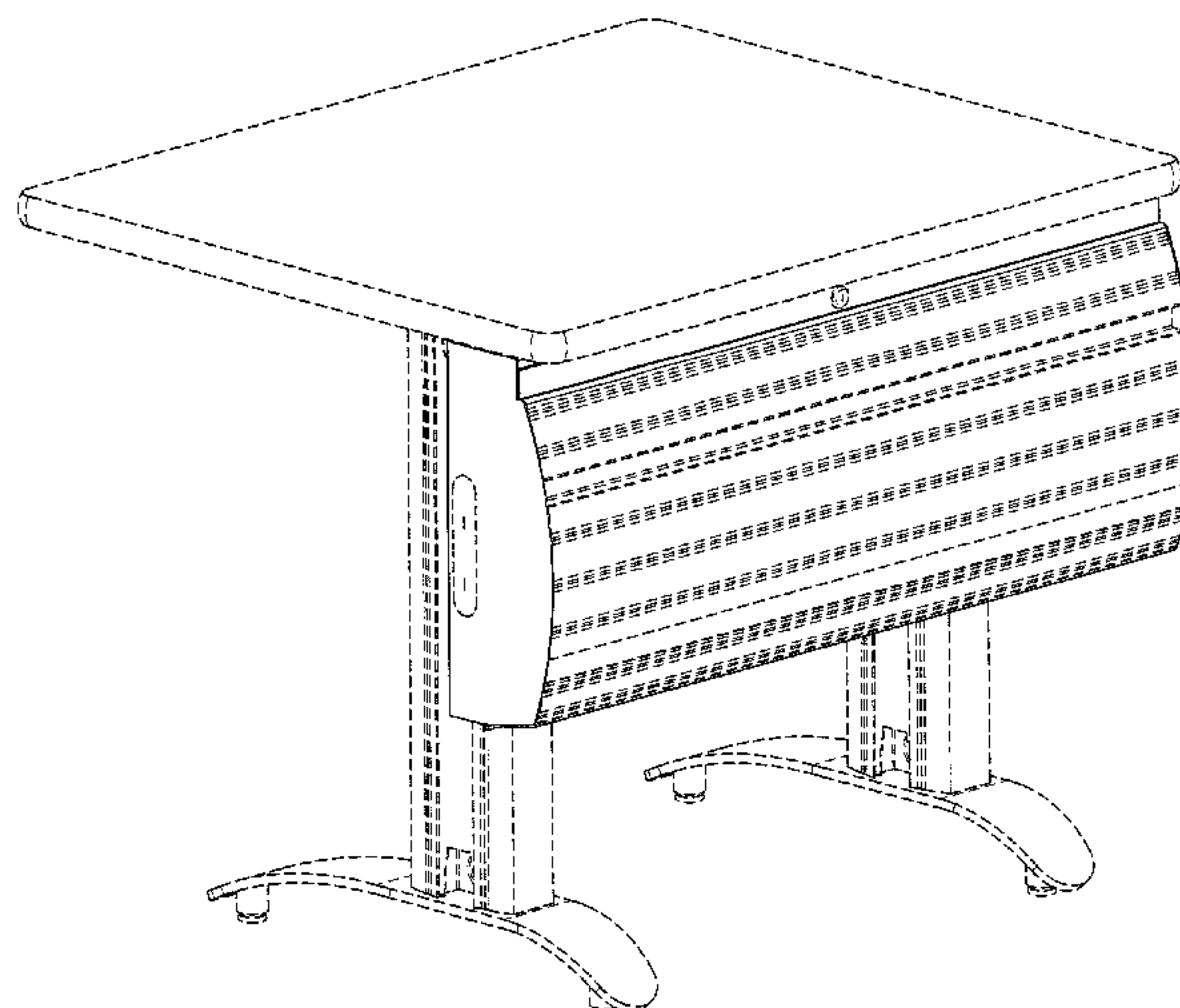
Primary Examiner—Janice E Seeger
(74) *Attorney, Agent, or Firm*—Hovey Williams LLP

FIG. 6 is a top view of the modesty panel shown in FIGS. 1-5, with the fastener openings in the top wall of the chassis and the door stops being shown in broken lines for illustrative purposes only and forming no part of the claimed design;

FIG. 7 is a bottom view of the modesty panel shown in FIGS. 1-6; and,

FIG. 8 is a front perspective view of the modesty panel shown in FIGS. 1-7, showing the modesty panel extended with a pair of panel doors.

1 Claim, 7 Drawing Sheets



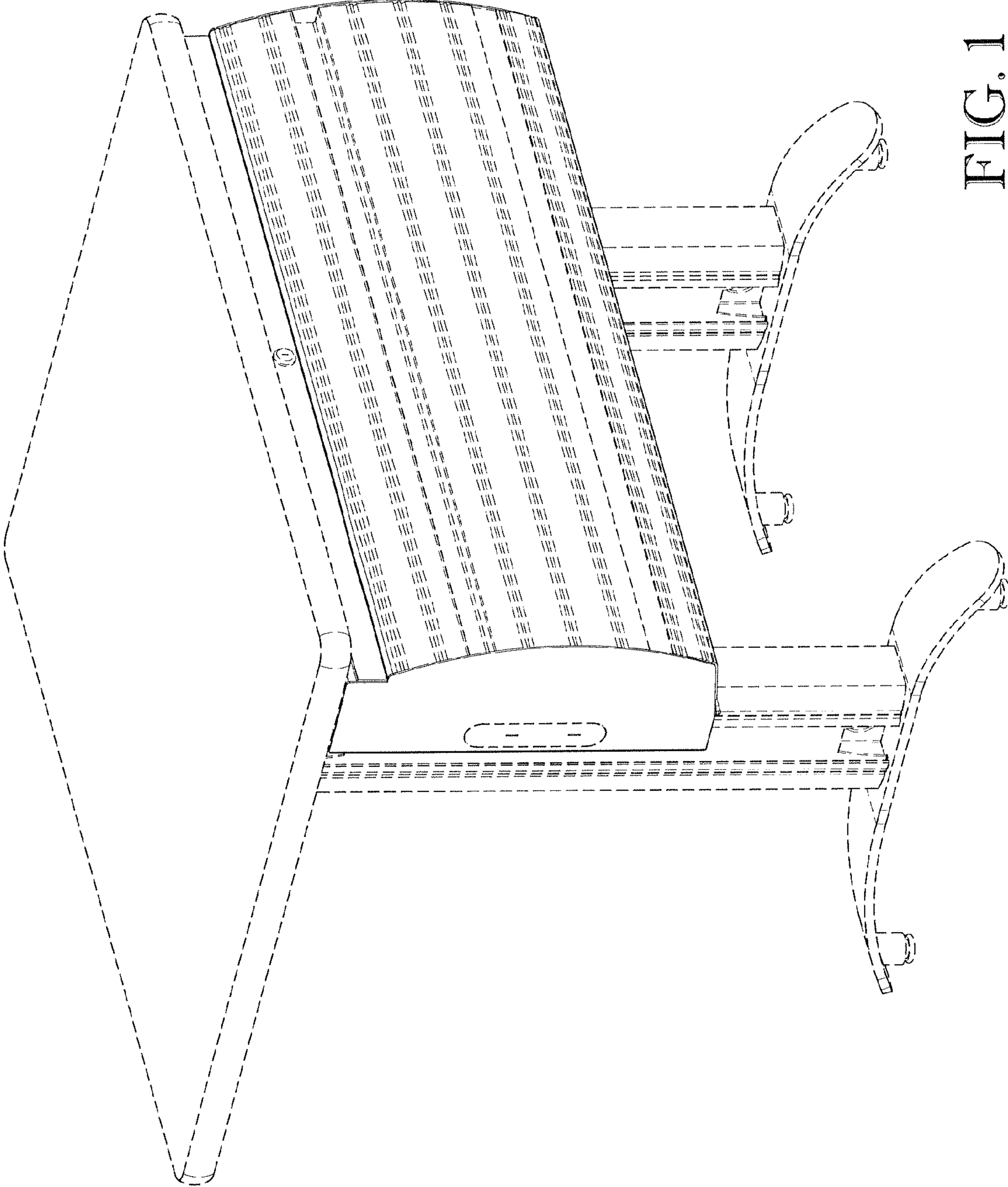


FIG. 1

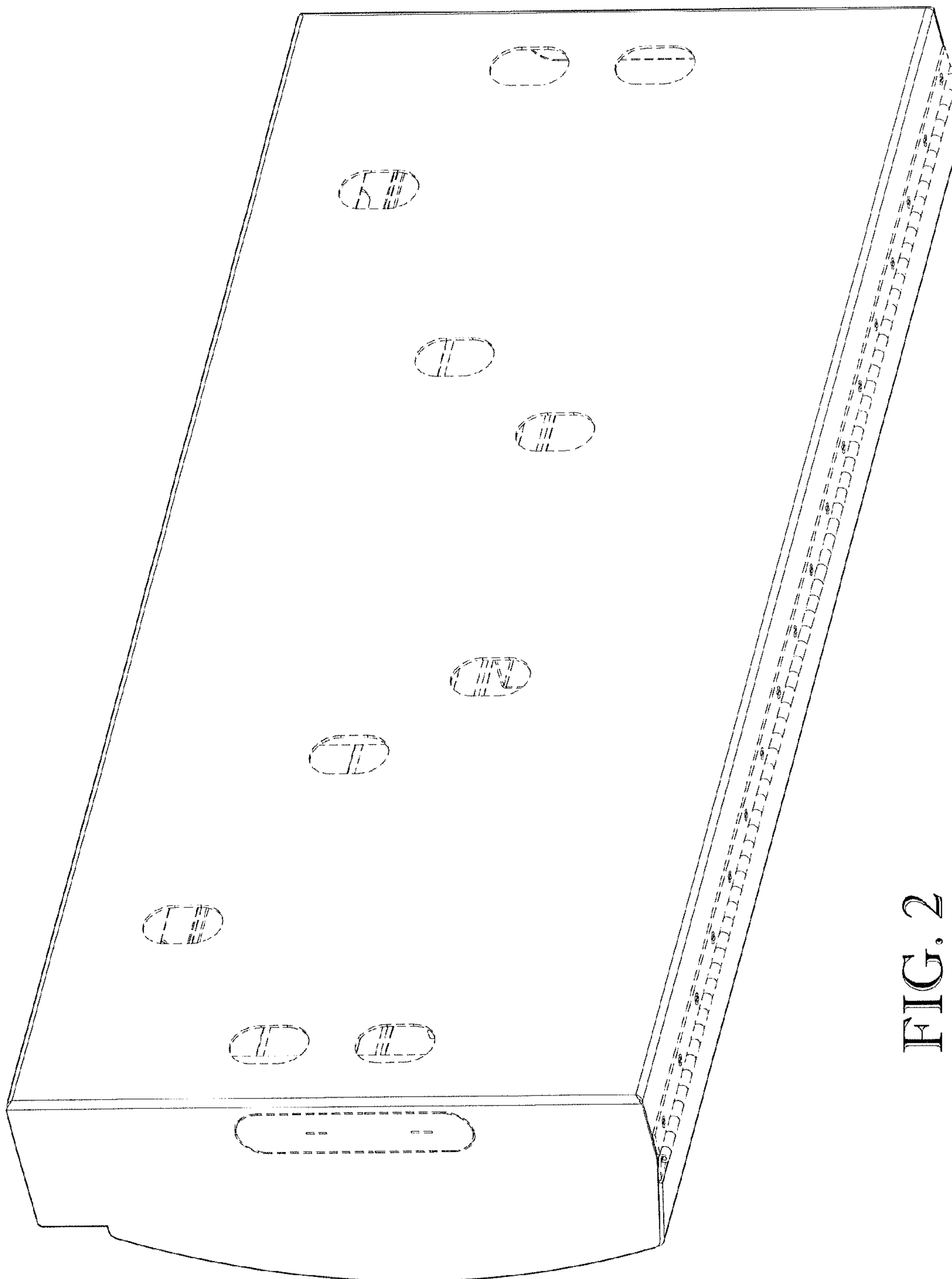


FIG. 2

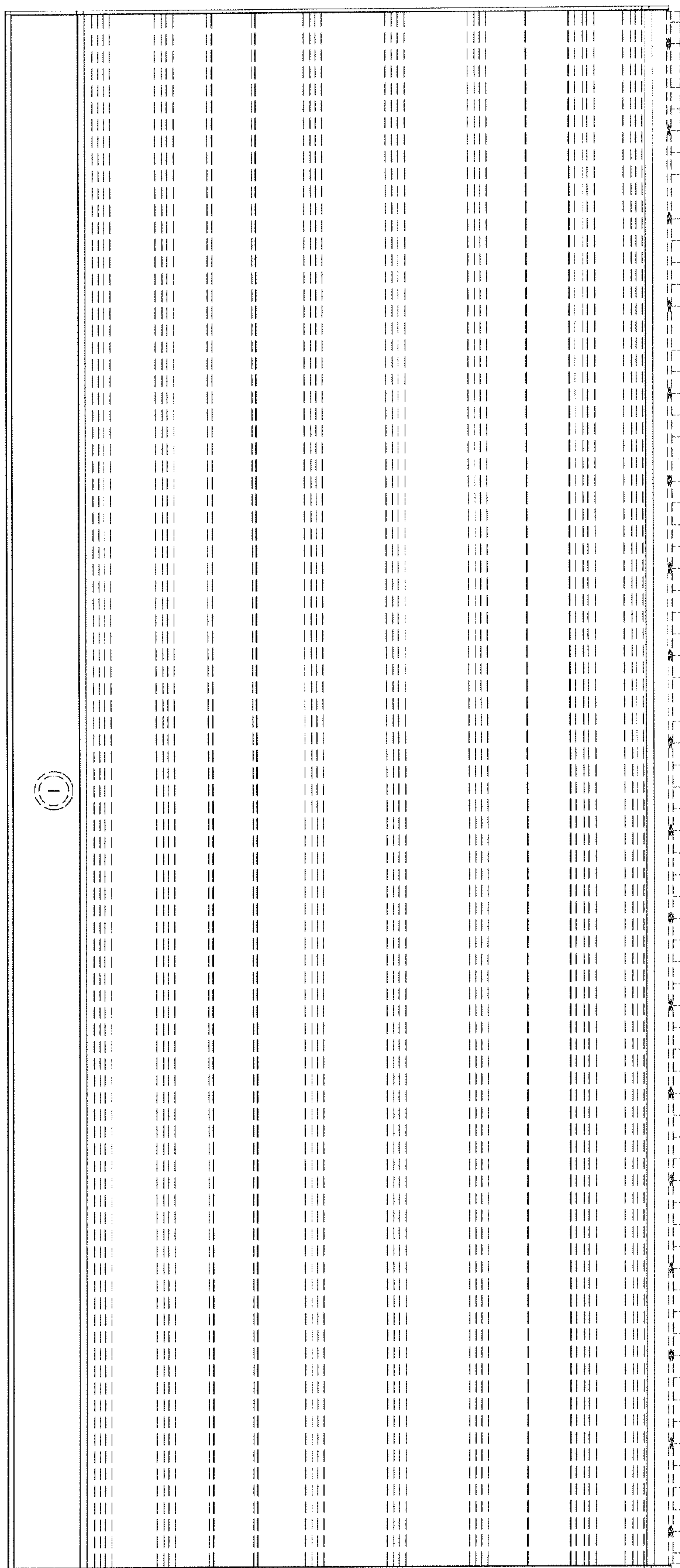


FIG. 3

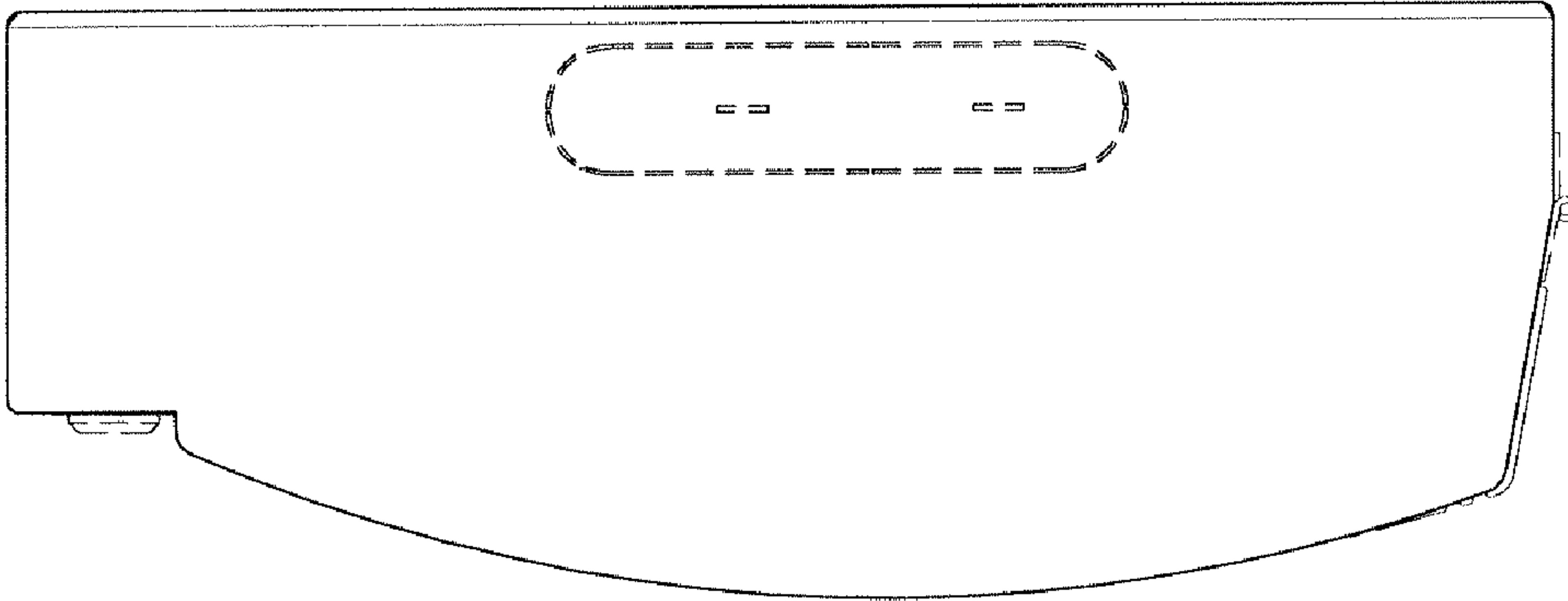


FIG. 4

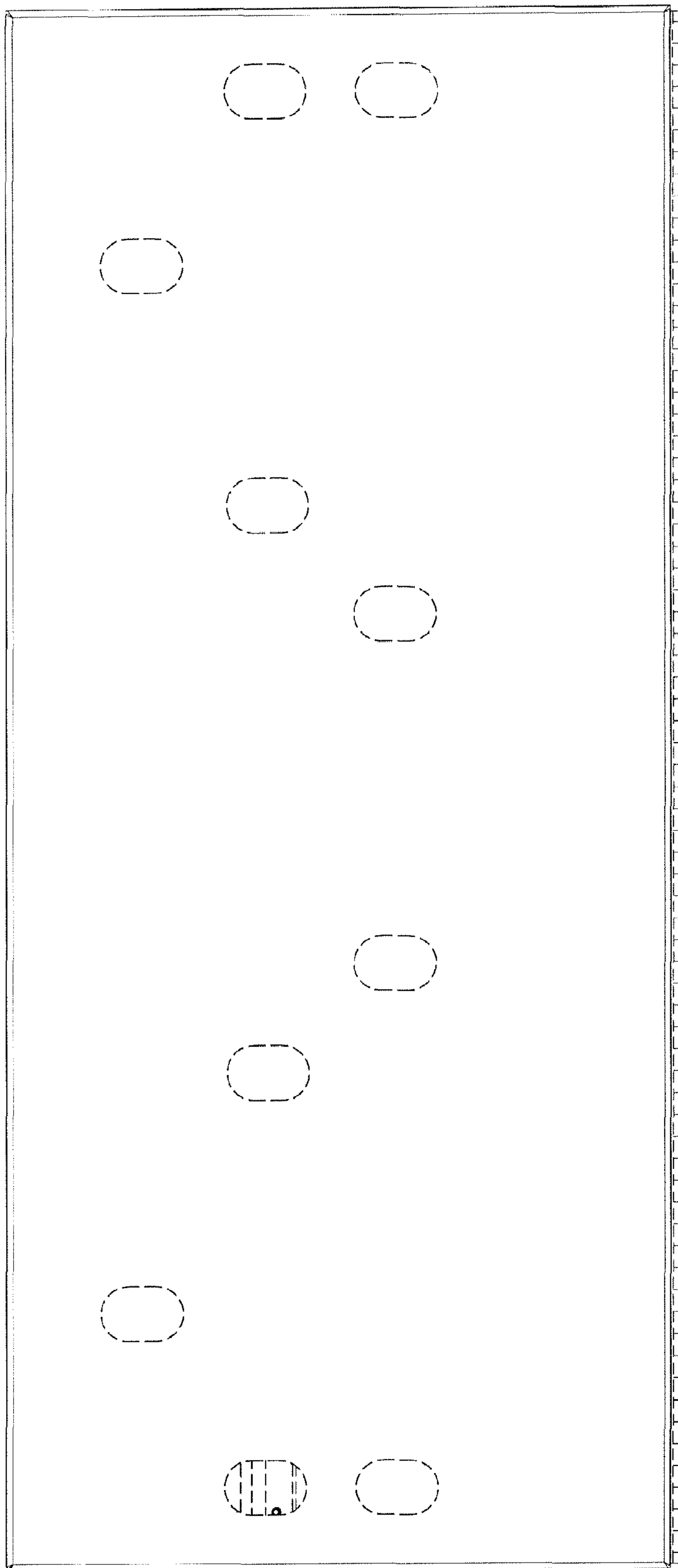


FIG. 5

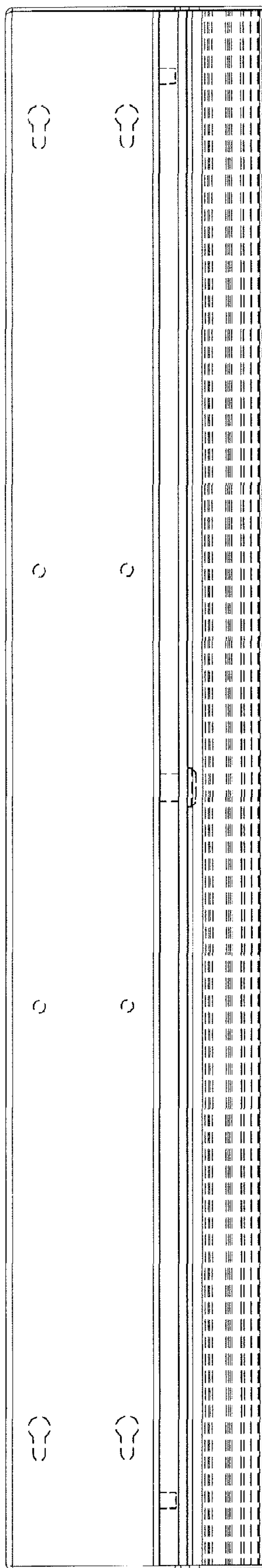


FIG. 6

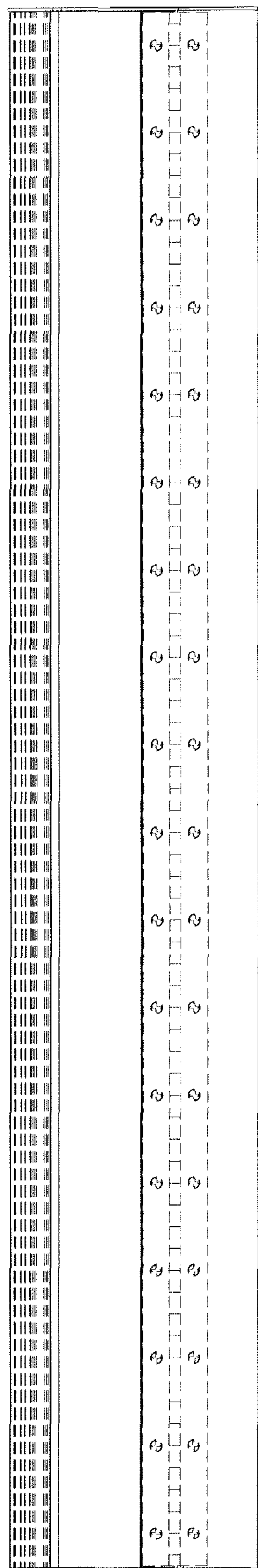


FIG. 7

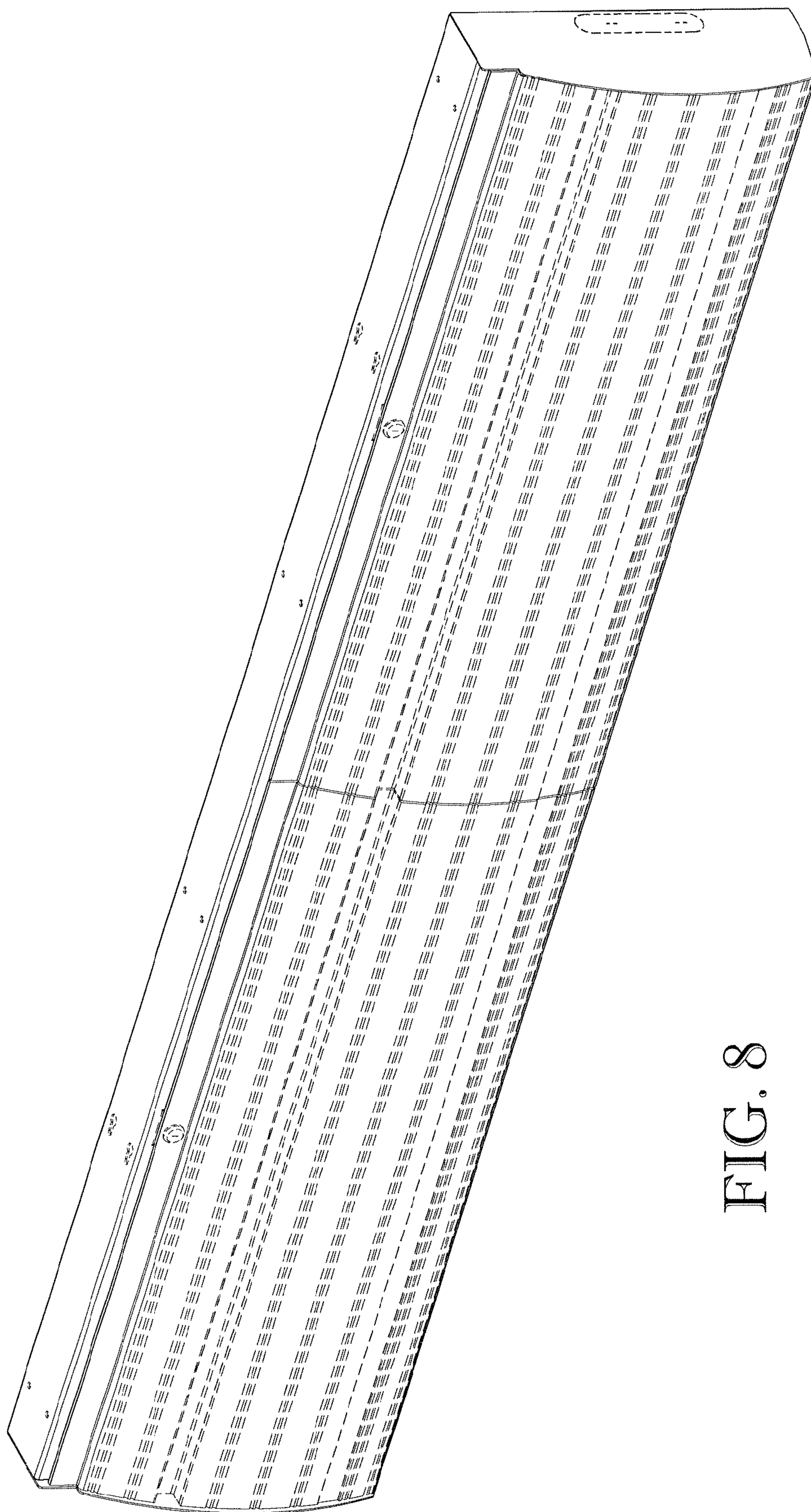


FIG. 8