



US00D609030S

(12) **United States Design Patent**  
**Barabas et al.**

(10) **Patent No.:** **US D609,030 S**

(45) **Date of Patent:** **\*\* Feb. 2, 2010**

(54) **MOUNT FOR A DIGITAL MEDIA PLAYER**

(76) Inventors: **Alfred Barabas**, 2490 Maine Ave., Long Beach, CA (US) 90806; **Laszlo Barabas**, 2490 Maine Ave., Long Beach, CA (US) 90806

(\*\*) Term: **14 Years**

(21) Appl. No.: **29/335,310**

(22) Filed: **Apr. 13, 2009**

**Related U.S. Application Data**

(62) Division of application No. 29/256,552, filed on Mar. 22, 2006, now Pat. No. Des. 590,184.

(51) **LOC (9) Cl.** ..... **06-04**

(52) **U.S. Cl.** ..... **D6/466**

(58) **Field of Classification Search** ..... D6/466, D6/478, 436, 449, 473-479; 312/7.1, 7.2, 312/9.1, 111; D14/126, 133, 239, 224, 224.1, D14/251; 211/85.7, 133.1

See application file for complete search history.

(56) **References Cited**

**U.S. PATENT DOCUMENTS**

D98,786 S *	3/1936	Sunderhauf	.....	D6/466
D123,019 S *	10/1940	Rivers	.....	D6/466
D323,085 S *	1/1992	Konkel	.....	D6/466
D361,450 S *	8/1995	Weatherby	.....	D6/466
D391,098 S *	2/1998	Northrop	.....	D6/466
D468,134 S *	1/2003	Oikawa	.....	D6/466

D471,034 S *	3/2003	Bong et al.	.....	D6/479
D476,171 S *	6/2003	Hirano	.....	D6/466
D517,838 S *	3/2006	Luong	.....	D6/477
D529,316 S *	10/2006	Fujiki	.....	D6/478
D581,187 S *	11/2008	Vihauer	.....	D6/466

\* cited by examiner

*Primary Examiner*—Caron Veynar

*Assistant Examiner*—Abraham Bahta

(74) *Attorney, Agent, or Firm*—Knobbe, Martens, Olson & Bear, LLP

(57) **CLAIM**

The ornamental design for a mount for a digital media player, as shown and described.

**DESCRIPTION**

FIG. 1 is a perspective view of a mount for a digital media player, in an exploded condition.

FIG. 2 is a perspective view of a top, front and right side of the mount of FIG. 1.

FIG. 3 is a front view of the mount of FIG. 1.

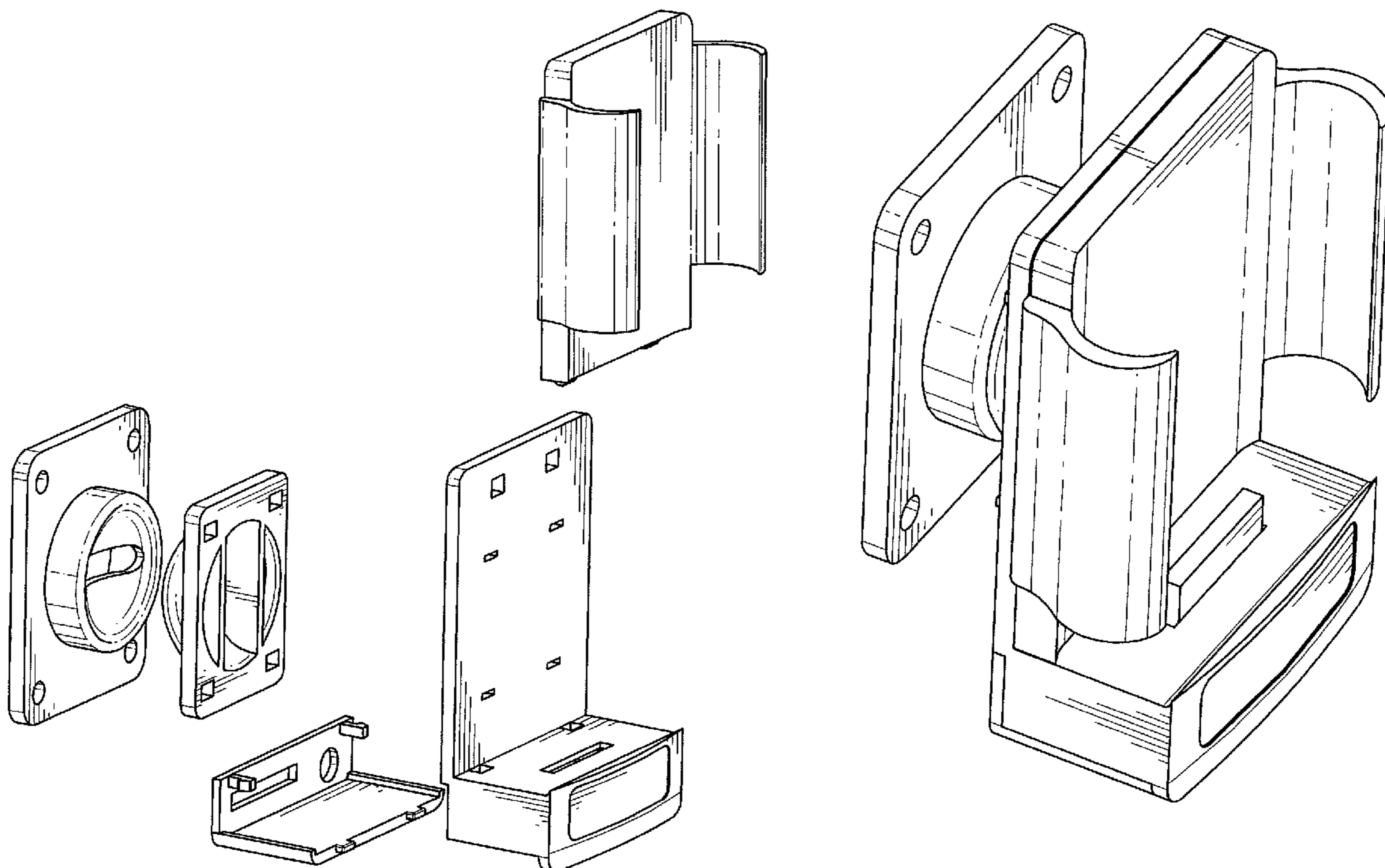
FIG. 4 is a rear view of the mount of FIG. 1.

FIG. 5 is a top view of the mount of FIG. 1.

FIG. 6 is a bottom view of the mount of FIG. 1; and,

FIG. 7 is a left side view of the mount of FIG. 1. Although not separately shown, the right side view is substantially a mirror image of the left side view.

**1 Claim, 4 Drawing Sheets**



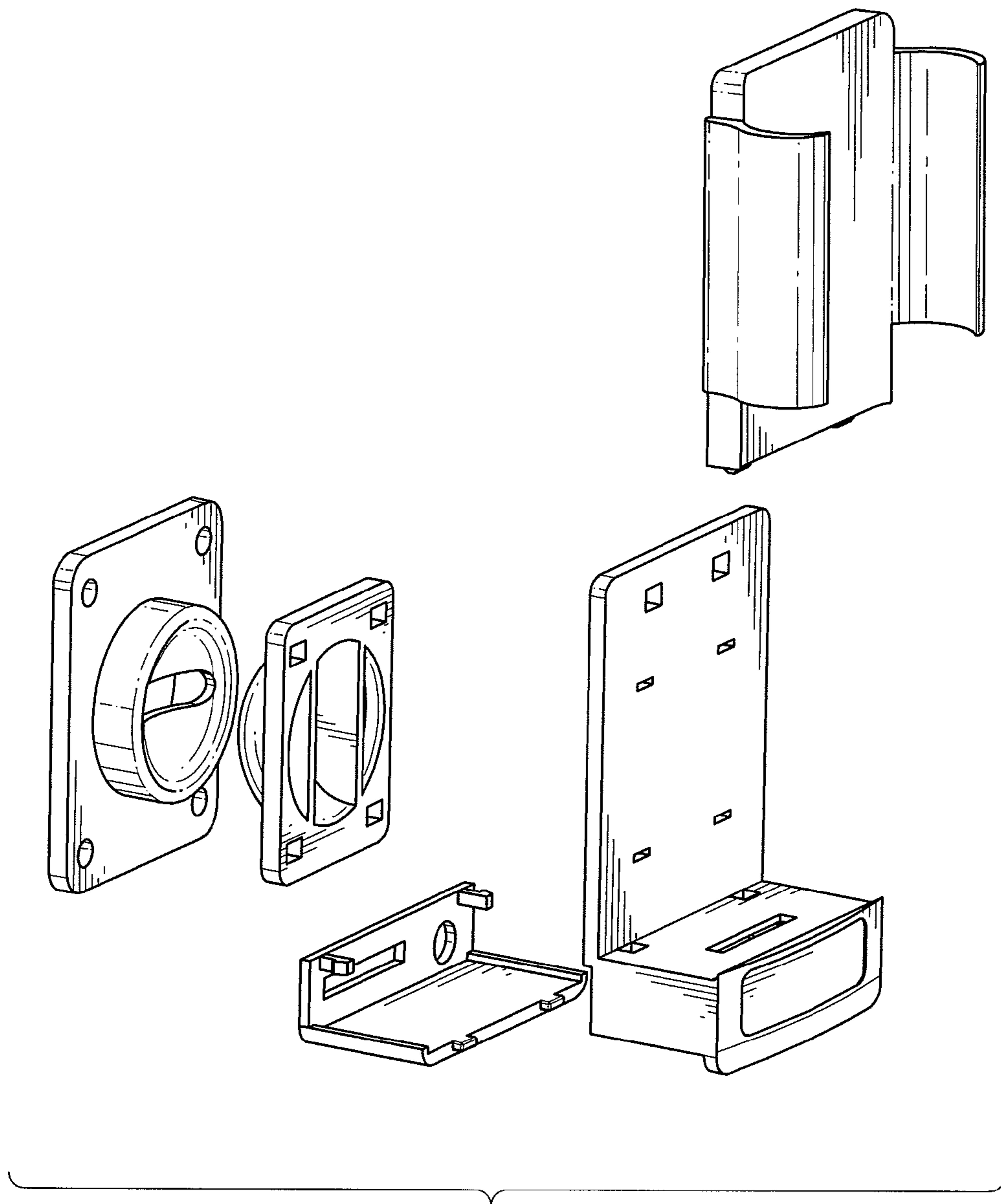


FIG. 1

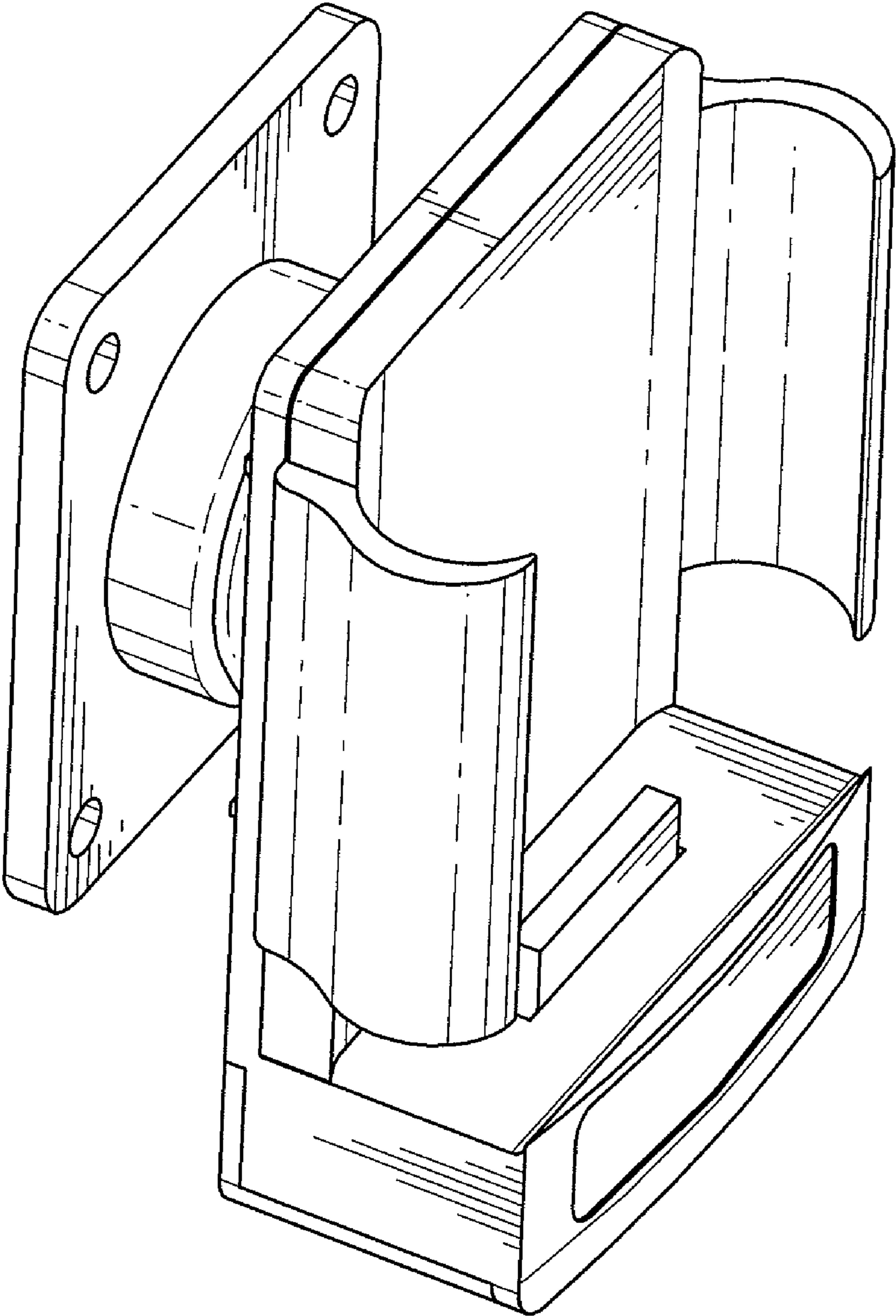


FIG. 2

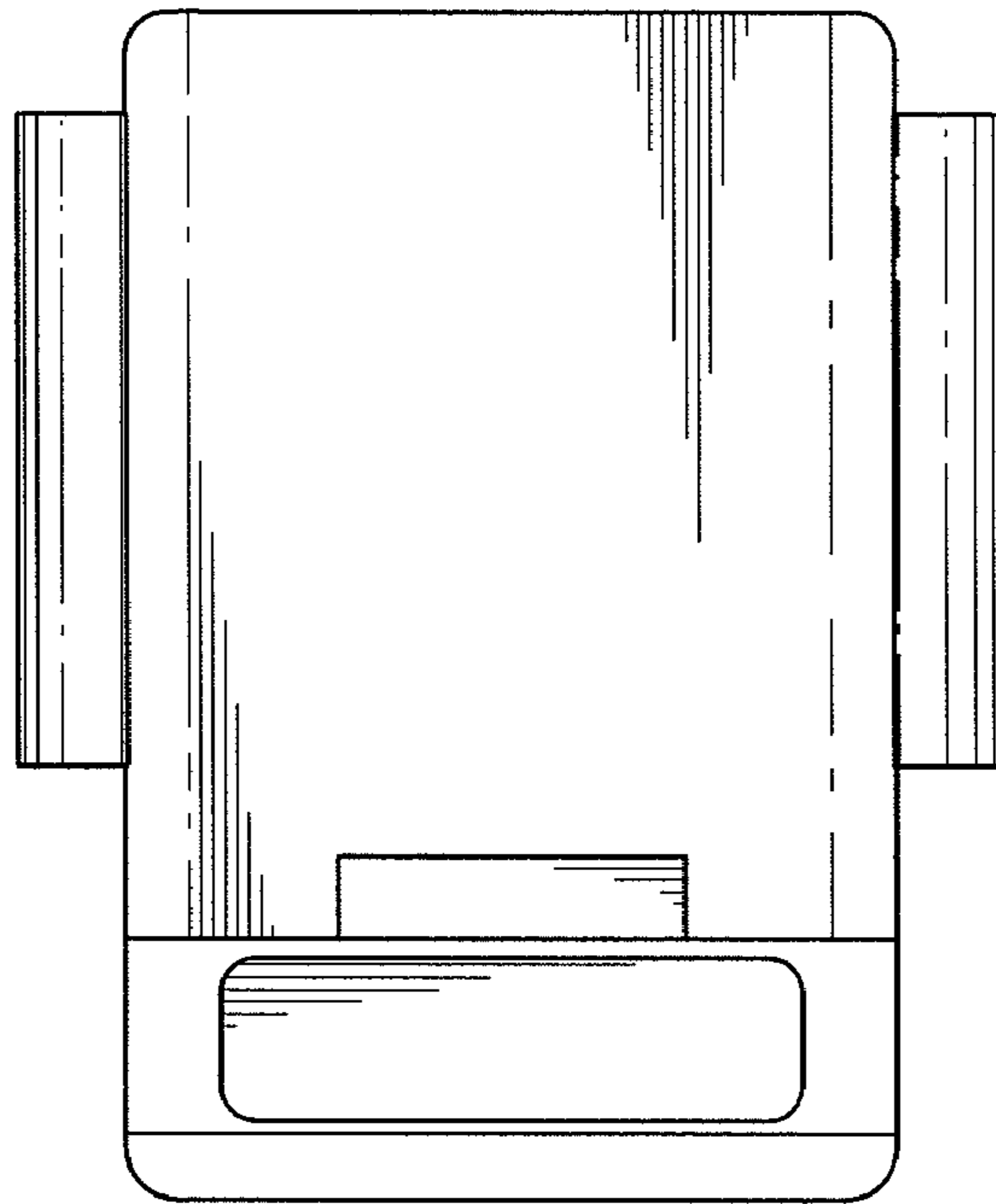


FIG. 3

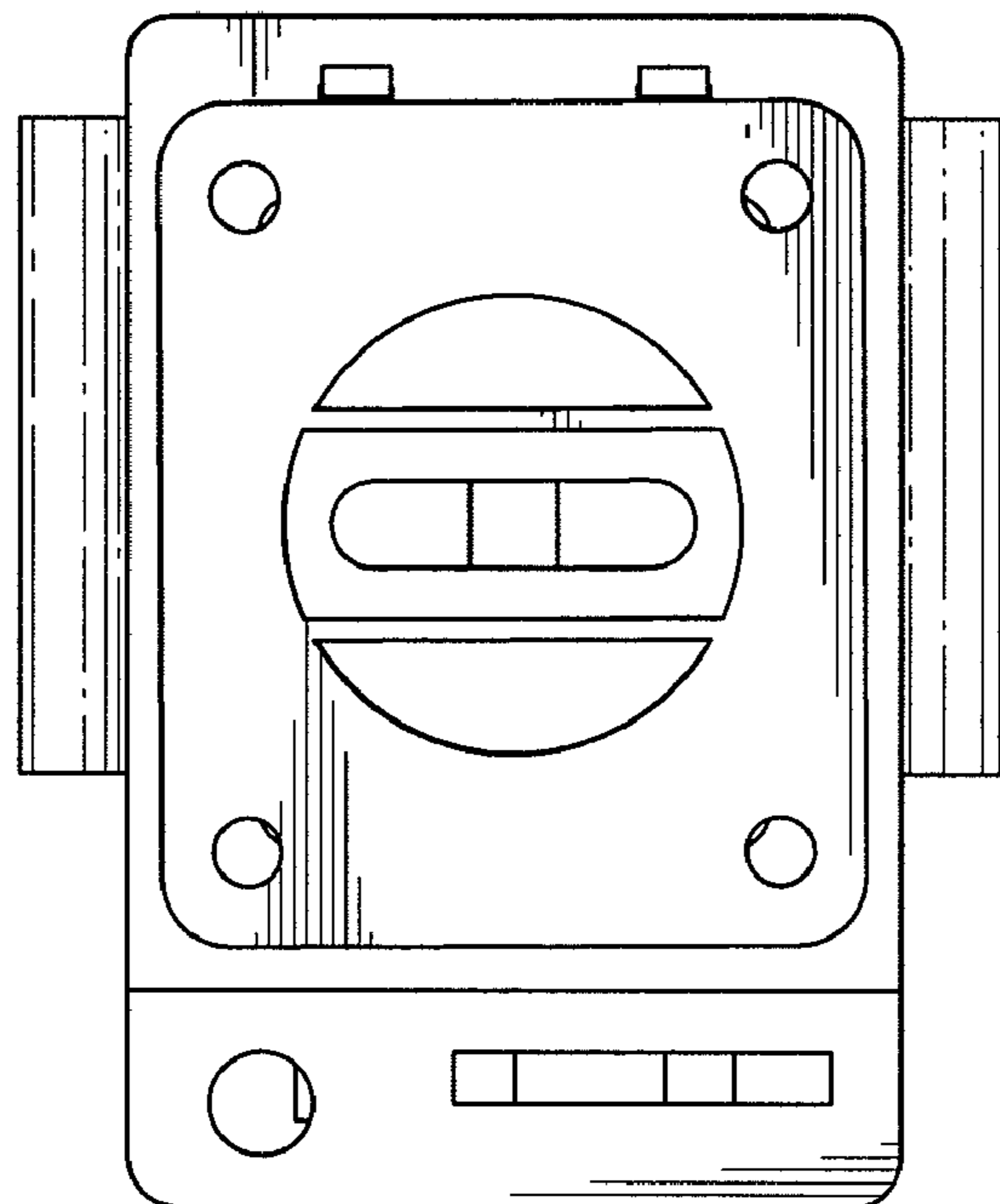


FIG. 4

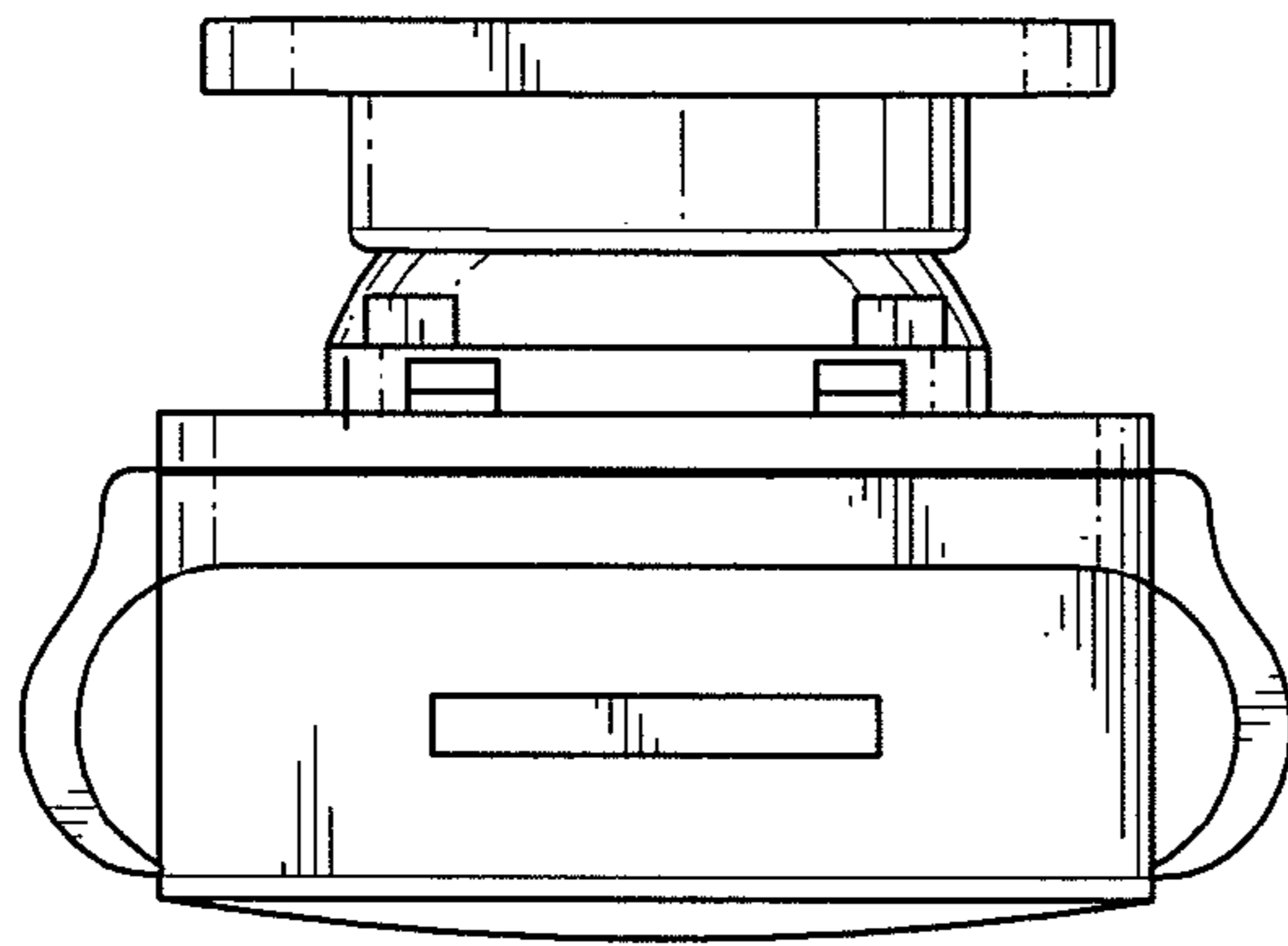


FIG. 5

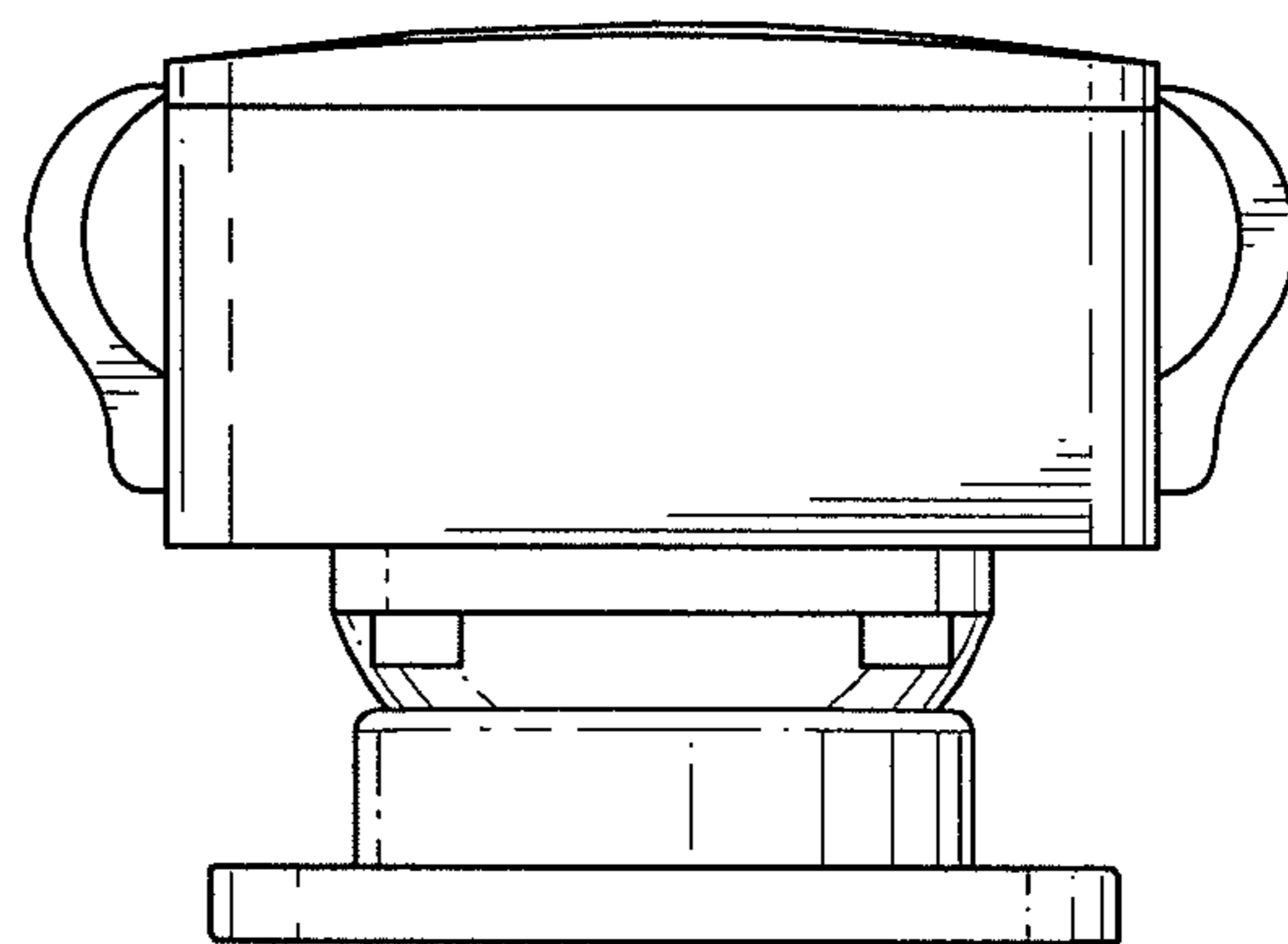


FIG. 6

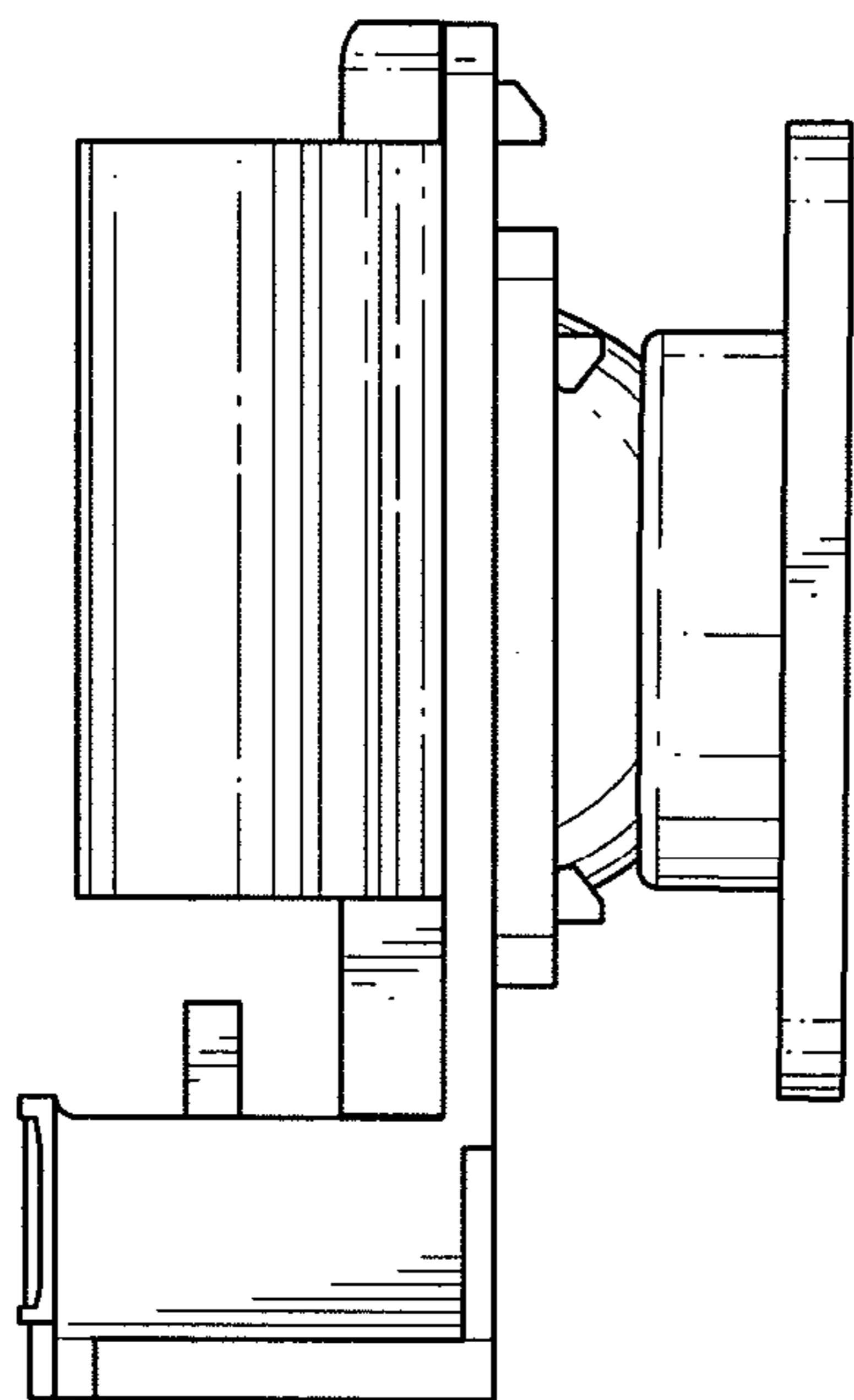


FIG. 7