



US00D609029S

(12) **United States Design Patent**  
**Hand**

(10) **Patent No.:** **US D609,029 S**

(45) **Date of Patent:** **\*\* Feb. 2, 2010**

(54) **TOOL CHEST AND CABINET**

D361,910 S 9/1995 Maple et al.

5,482,162 A \* 1/1996 Dickinson ..... 206/373

(75) Inventor: **Jim Hand**, Glen Ellyn, IL (US)

(73) Assignee: **Waterloo Industries, Inc.**, Oak Creek, WI (US)

(Continued)

(\*\*) Term: **14 Years**

*Primary Examiner*—Caron Veynar

*Assistant Examiner*—Ricky Pham

(21) Appl. No.: **29/271,185**

(74) *Attorney, Agent, or Firm*—Calfee, Halter & Griswold LLP

(22) Filed: **Jan. 11, 2007**

**Related U.S. Application Data**

(63) Continuation of application No. 29/270,008, filed on Dec. 13, 2006, now Pat. No. Des. 589,718.

(57) **CLAIM**

I claim the ornamental design for a tool chest and cabinet, as shown and described.

(51) **LOC (9) Cl.** ..... **06-04**

(52) **U.S. Cl.** ..... **D6/435; D3/297; D3/318; D3/905; D6/445; D6/510**

**DESCRIPTION**

(58) **Field of Classification Search** ..... D3/260, D3/297, 272–273, 276, 283, 318, 321–322, D3/905; D6/349, 352, 400, 432–439, 441–448, D6/475–476, 491–495, 509–511, 631–633; D8/300, 313; D14/125, 355–356, 442; D32/25; D34/12; 206/372–373; 312/280, 308; 361/695  
See application file for complete search history.

FIG. 1 is a perspective view of a tool chest and cabinet of the new design;

FIG. 2 is a front elevation view of the tool chest and cabinet of FIG. 1;

FIG. 3 is a rear view of the tool chest and cabinet of FIG. 1;

FIG. 4 is a left side view of the tool chest and cabinet of FIG. 1;

FIG. 5 is a right side view of the tool chest and cabinet of FIG. 1;

FIG. 6 is a top view of the tool chest and cabinet of FIG. 1; and,

FIG. 7 is a bottom view of the tool chest and cabinet of FIG. 1.

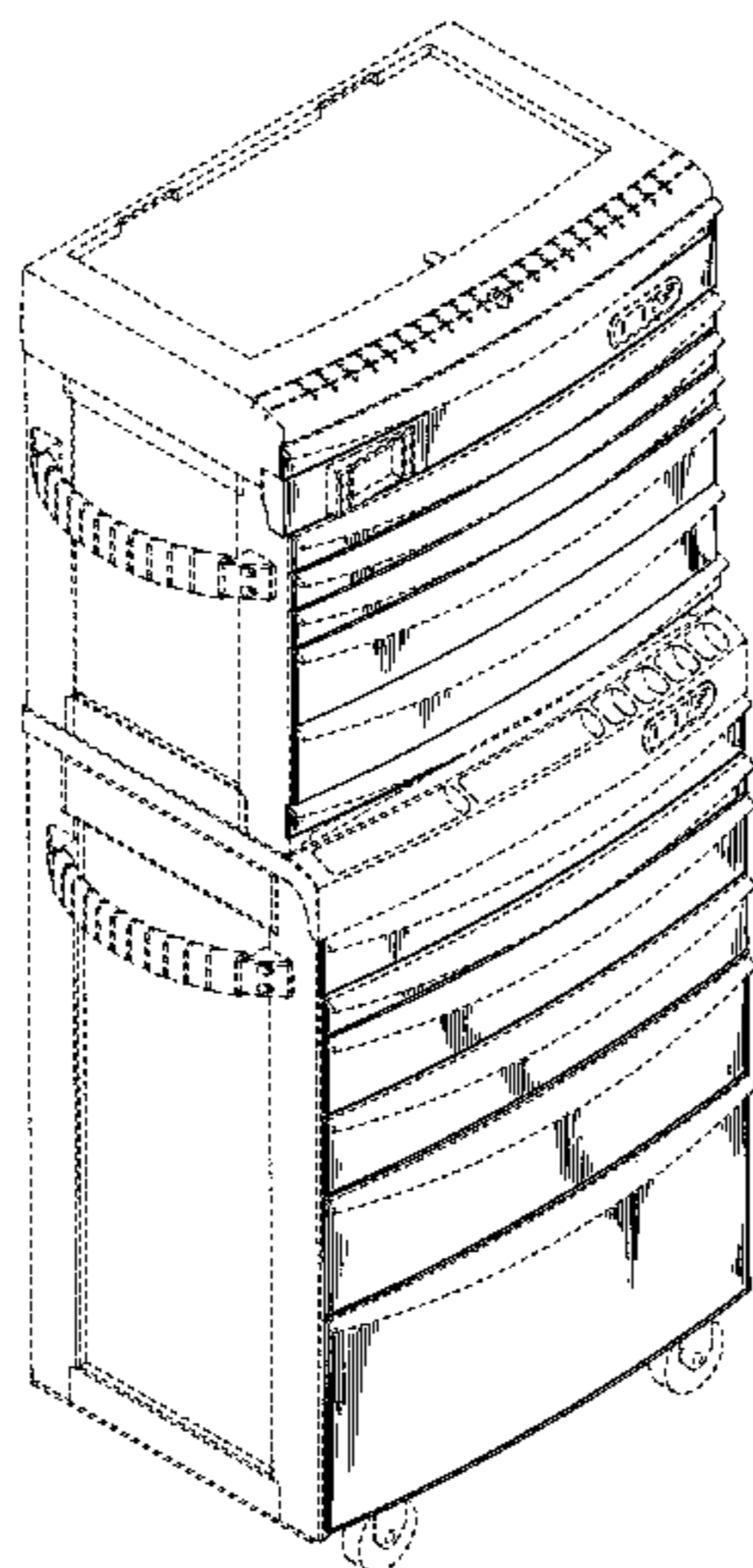
The phantom lines at the rear edge of the claimed subject matter indicate boundary of claimed design. All other phantom lines are shown in the drawings for illustrative purposes only and form no part of the claimed design.

(56) **References Cited**

**U.S. PATENT DOCUMENTS**

- D182,558 S \* 4/1958 Willman ..... D8/313
- D205,522 S 8/1966 Doman
- D218,080 S 7/1970 Sierzega
- D229,262 S \* 11/1973 Pearson ..... D6/433
- 4,120,549 A 10/1978 Bureau
- D283,769 S \* 5/1986 Cohn ..... D6/446
- 4,811,999 A 3/1989 Remington et al.
- D327,967 S 7/1992 Hikawa
- D341,253 S 11/1993 Ballman et al.
- 5,281,020 A \* 1/1994 Romick ..... 312/308
- 5,332,305 A 7/1994 Slivon et al.
- D356,703 S \* 3/1995 Dickinson ..... D6/439
- 5,443,311 A 8/1995 Kadlecek et al.

**1 Claim, 5 Drawing Sheets**



# US D609,029 S

Page 2

## U.S. PATENT DOCUMENTS

5,497,878	A *	3/1996	Sandonato .....	206/372	D505,237	S	5/2005	Schmidt et al.	
D370,342	S	6/1996	Gwyther		D506,090	S	6/2005	Ben-Or	
D370,572	S	6/1996	Lin		D514,854	S	2/2006	Schmidt et al.	
D372,378	S	8/1996	Kruger		D517,805	S	3/2006	Hosking	
5,607,214	A	3/1997	Pierce et al.		D520,264	S	5/2006	Mehmen et al.	
D381,166	S	7/1997	Bonazza		D520,784	S	5/2006	Schmidt et al.	
D385,722	S	11/1997	Yemini		7,048,347	B1	5/2006	Liu	
D386,626	S	11/1997	Yemini		D526,782	S	8/2006	Hosking	
5,720,535	A	2/1998	Mehman		D536,202	S	2/2007	Mehmen et al.	
D393,541	S	4/1998	Calmeise		D538,997	S *	3/2007	Schlembach .....	D34/12
5,857,757	A	1/1999	Bieker et al.		D544,259	S	6/2007	Schmidt et al.	
D423,817	S *	5/2000	Holcomb et al. ....	D6/445	D547,160	S	7/2007	Hand et al.	
D423,818	S	5/2000	Holcomb et al.		D549,408	S *	8/2007	Lee .....	D32/25
D427,807	S	7/2000	Holcomb et al.		D554,370	S *	11/2007	Hand .....	D3/297
6,109,709	A	8/2000	Holcomb et al.		D554,864	S *	11/2007	Hand .....	D3/297
D430,426	S	9/2000	Bieker et al.		D560,079	S	1/2008	Mehmen	
D431,934	S *	10/2000	Chininis .....	D6/446	D563,103	S *	3/2008	Hand .....	D3/297
6,176,559	B1	1/2001	Tiramani et al.		D563,119	S *	3/2008	Malley et al. ....	D6/445
D448,168	S	9/2001	Johnston		D563,120	S *	3/2008	Malley et al. ....	D6/445
D449,181	S	10/2001	Story et al.		D566,396	S *	4/2008	Hand .....	D3/297
D453,074	S	1/2002	Johnston		D568,078	S *	5/2008	Kohagen et al. ....	D6/510
6,347,847	B1	2/2002	Tiramani et al.		D568,608	S *	5/2008	Hand .....	D3/297
D455,902	S	4/2002	Wolf		D573,792	S *	7/2008	Hand .....	D3/297
D457,704	S	5/2002	Fiscus et al.		2002/0030425	A1	3/2002	Tiramani et al.	
D461,067	S	8/2002	Frank et al.		2002/0074905	A1	6/2002	Tiramani et al.	
D470,687	S	2/2003	Binse et al.		2006/0103278	A1	5/2006	Bousquet	
D477,724	S *	7/2003	Bishop .....	D6/434	2007/0063624	A1	3/2007	Liao	
D504,260	S *	4/2005	Arceta .....	D6/510	2007/0228903	A1 *	10/2007	Liu .....	312/280
					2007/0274042	A1 *	11/2007	Jackson et al. ....	361/695

\* cited by examiner

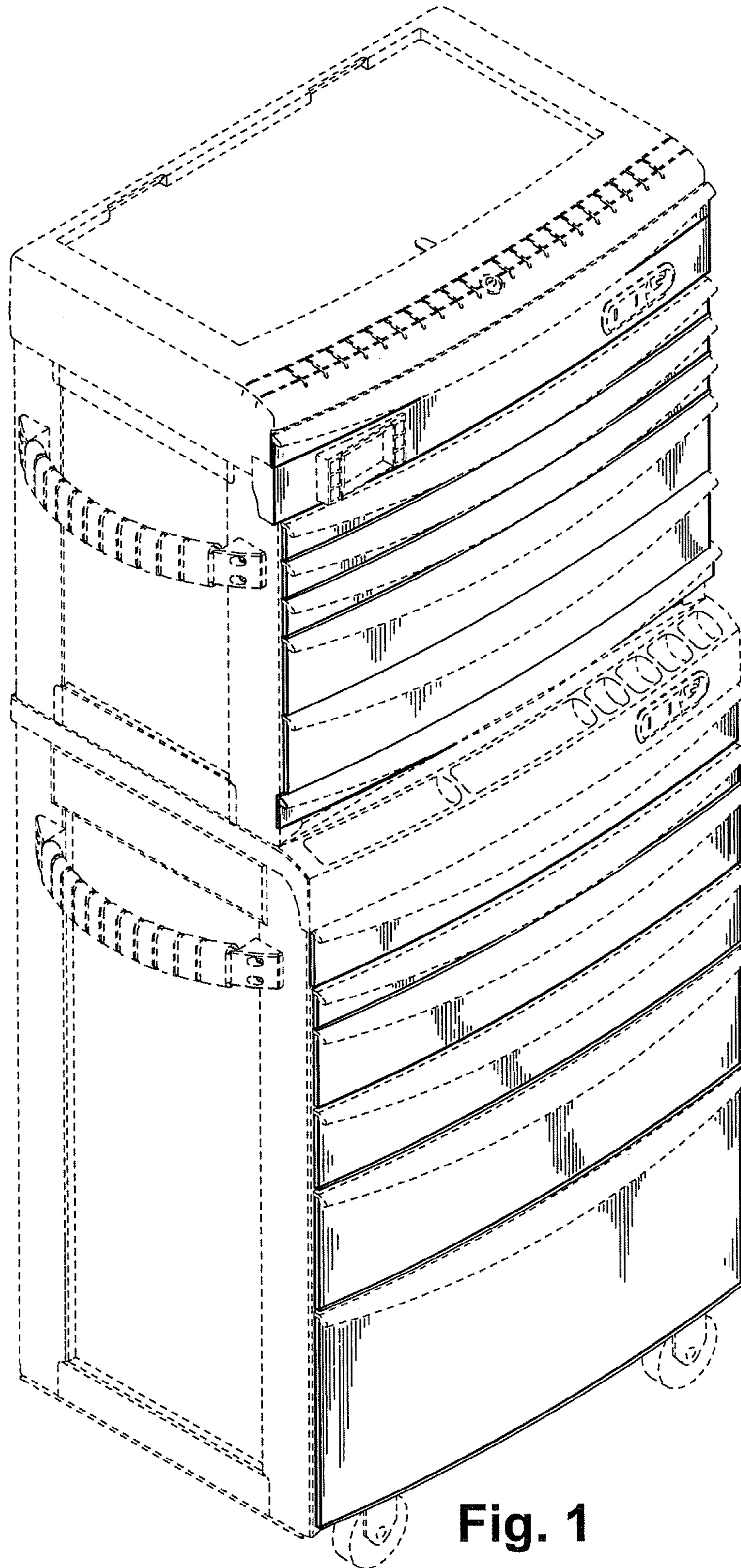


Fig. 1

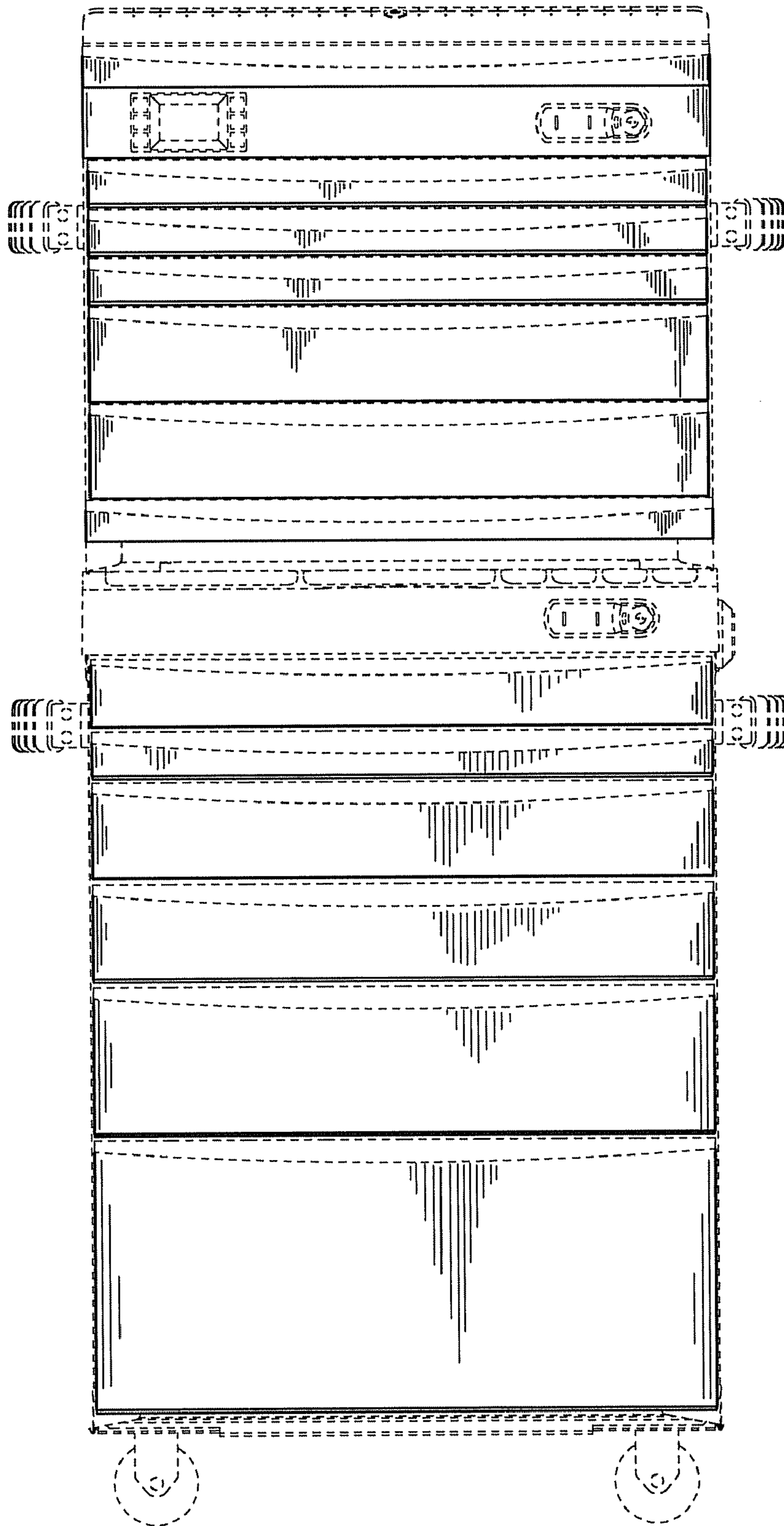


Fig. 2

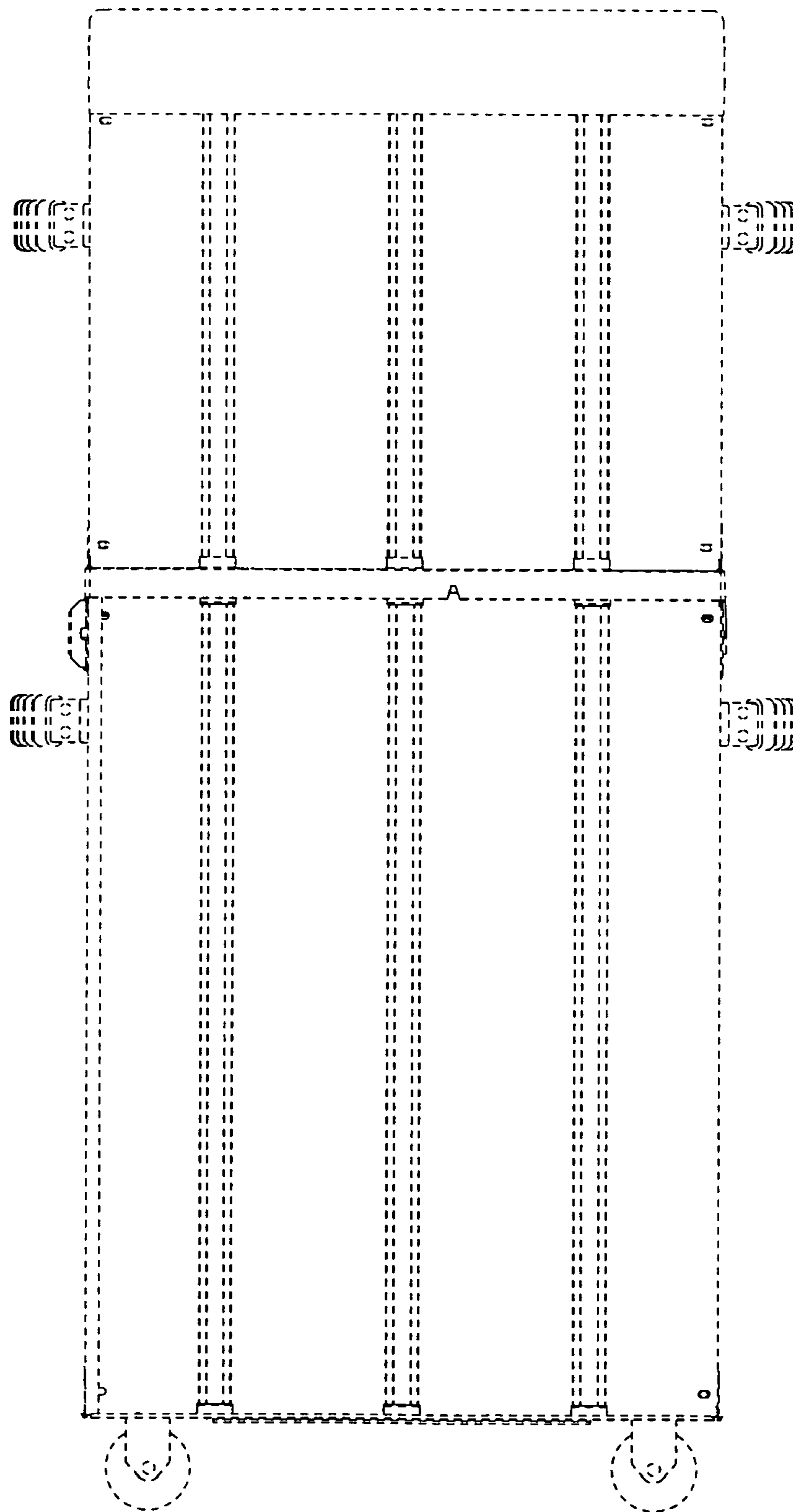


Fig. 3

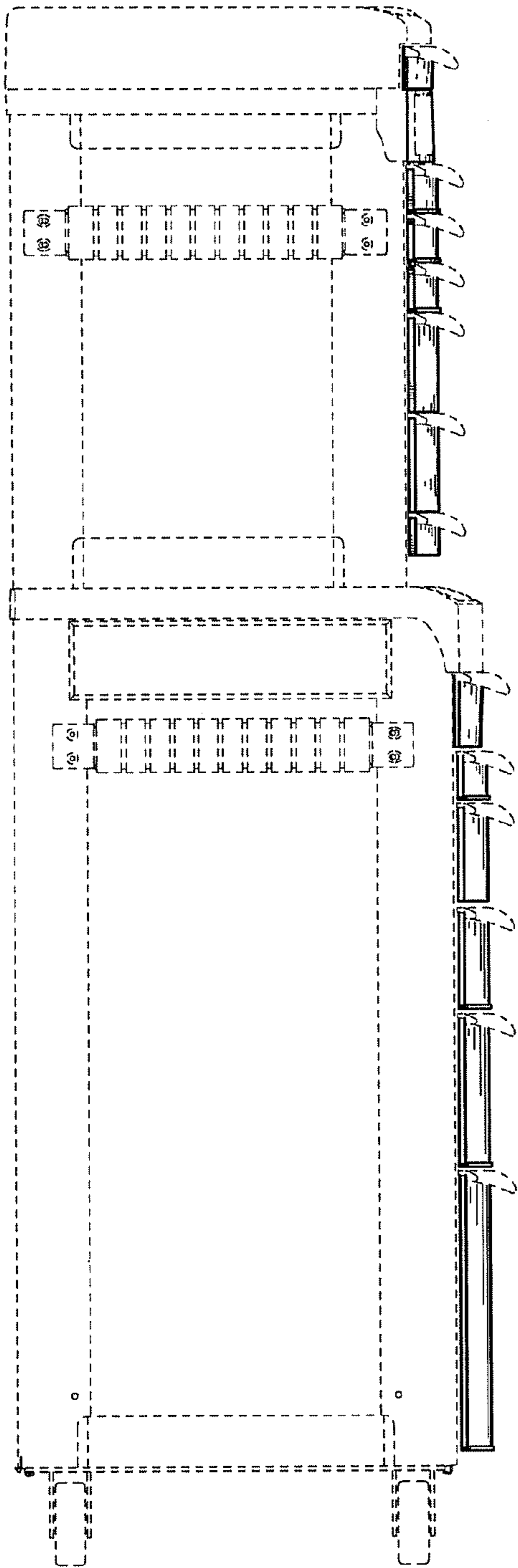


Fig. 4

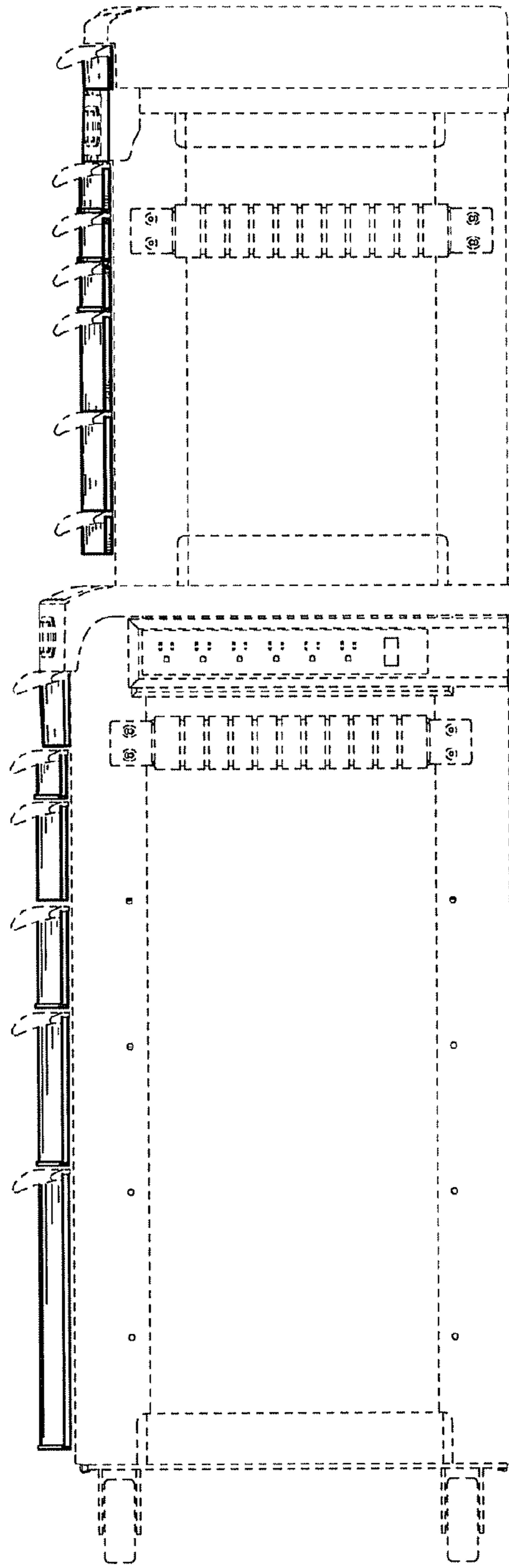
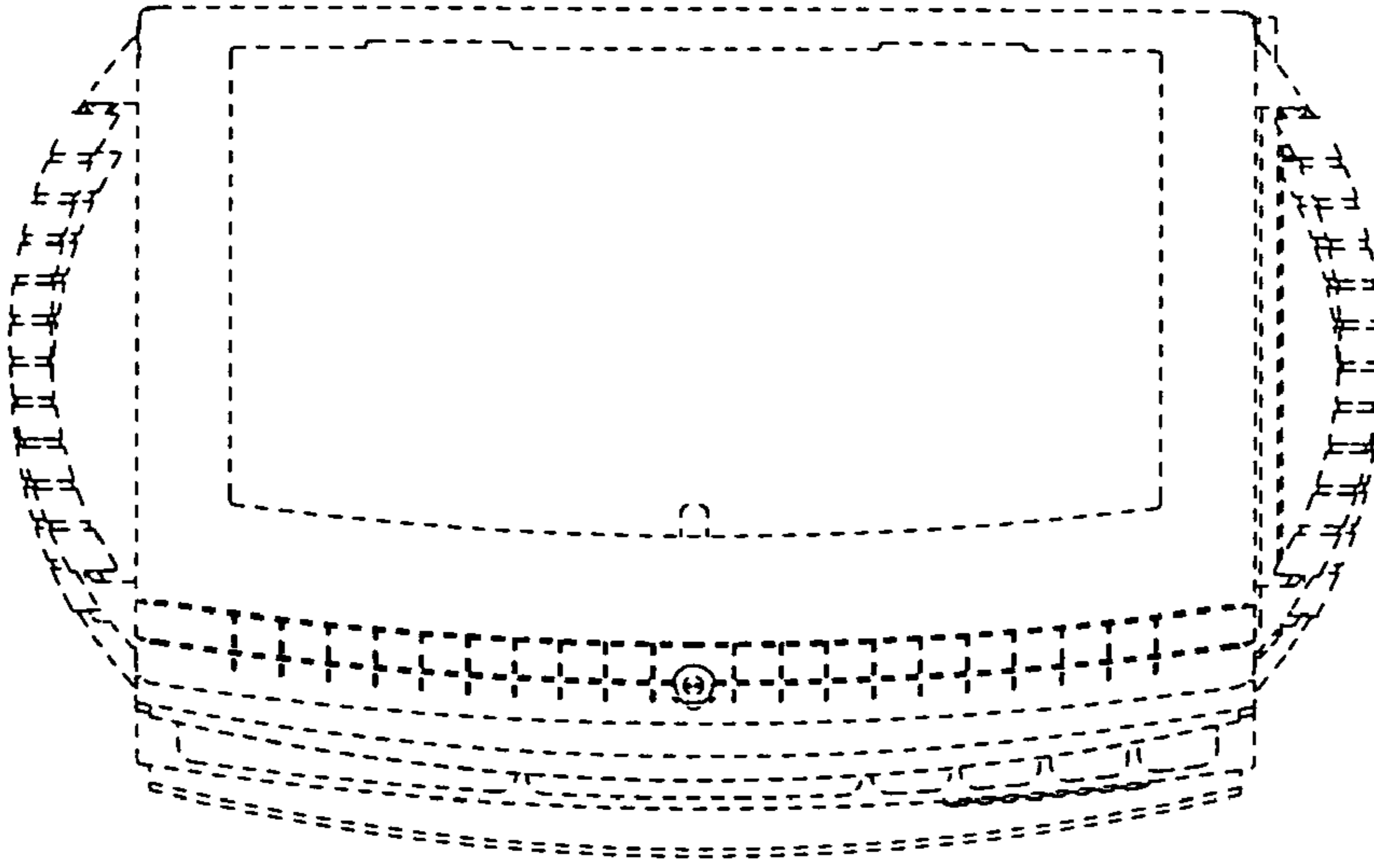
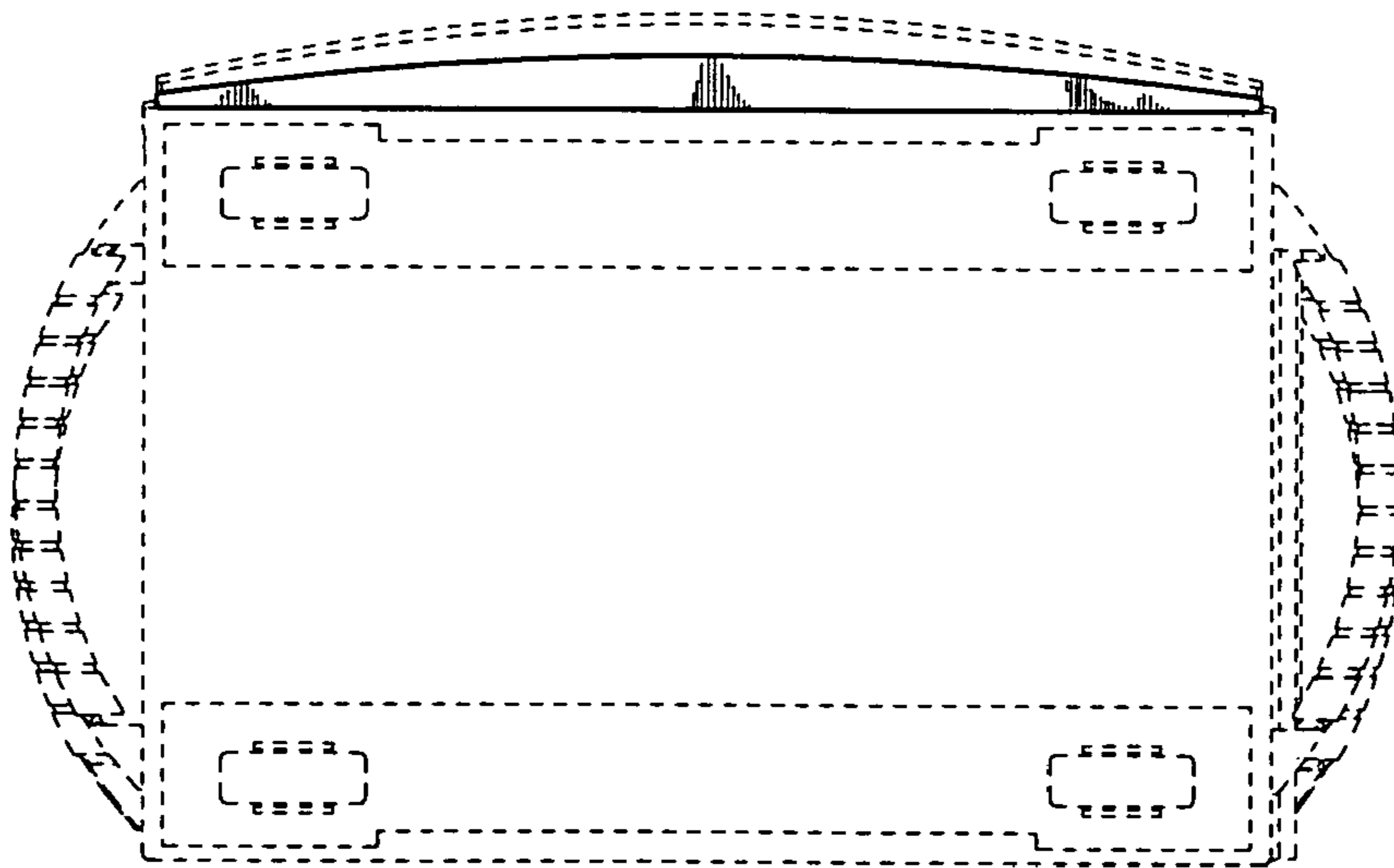


Fig. 5



**Fig. 6**



**Fig. 7**