



US00D609027S

(12) **United States Design Patent**
Jennings

(10) **Patent No.:** **US D609,027 S**
(45) **Date of Patent:** **** Feb. 2, 2010**

(54) **LAP DESK**

(75) Inventor: **Don Micheal Jennings**, Arlington, TX (US)

(73) Assignee: **Creative Essentials, LLC**, Arlington, TX (US)

(**) Term: **14 Years**

(21) Appl. No.: **29/337,338**

(22) Filed: **May 20, 2009**

(51) **LOC (9) Cl.** **06-06**

(52) **U.S. Cl.** **D6/406.5**

(58) **Field of Classification Search** D7/300, D7/300.1, 312, 316, 318, 354, 356, 360, 376, D7/380, 392.1, 394, 396.2, 396.6, 397, 500, D7/501, 503, 505, 507, 523, 532, 535, 538, D7/540-555, 557, 558, 560-562, 565, 566, D7/570-571, 584-588, 601-602, 611, 624.1, D7/629-630, 642, 669, 682-383, 686, 688, D7/701; D6/339, 406.1-406.6, 419, 429, D6/430; D9/340, 414-418, 420, 422-426, D9/428-433, 456-457, 499, 500, 502, 655-657, D9/702-703, 737, 749, 755, 761, 769, 772, D9/901, 902; D11/152, 154, 155, 156; D12/133, D12/416, 419, 426.1; D14/157, 447, 457; D19/35; D24/132, 216, 220, 221, 224, 227; D26/121; D30/123, 129-130; 220/23.83, 220/212, 506, 555, 560, 561, 574-575, 577, 220/657; 206/561, 565; 425/459, 623; 426/106, 426/119, 120, 127

See application file for complete search history.

(56) **References Cited**

U.S. PATENT DOCUMENTS

130,094 A	7/1872	White et al.
D52,657 S	11/1918	Howland
1,364,022 A	12/1920	Bauer
3,407,757 A	10/1968	Warner
4,052,944 A	10/1977	Jennings
D259,904 S	7/1981	Ng et al.

D276,732 S	12/1984	Marquez
4,537,646 A	8/1985	Hoyle
D312,358 S	11/1990	Horne
D315,463 S	3/1991	Spiegel
5,090,334 A	2/1992	Sutton
5,127,339 A	7/1992	Hood, Jr.
D335,226 S	5/1993	Horne
D335,227 S	5/1993	Lapsker et al.
D342,170 S	12/1993	Palmer
D344,435 S	2/1994	Whall

(Continued)

OTHER PUBLICATIONS

Lap Desk Originals "Products for Today's Mobile Lifestyle", Creative Essentials, LLC Aug. 2007, 4 pages.

Primary Examiner—Jeffrey D Asch
Assistant Examiner—Bridget L Eland
(74) *Attorney, Agent, or Firm*—Locke Lord Bissell & Liddell, LLP

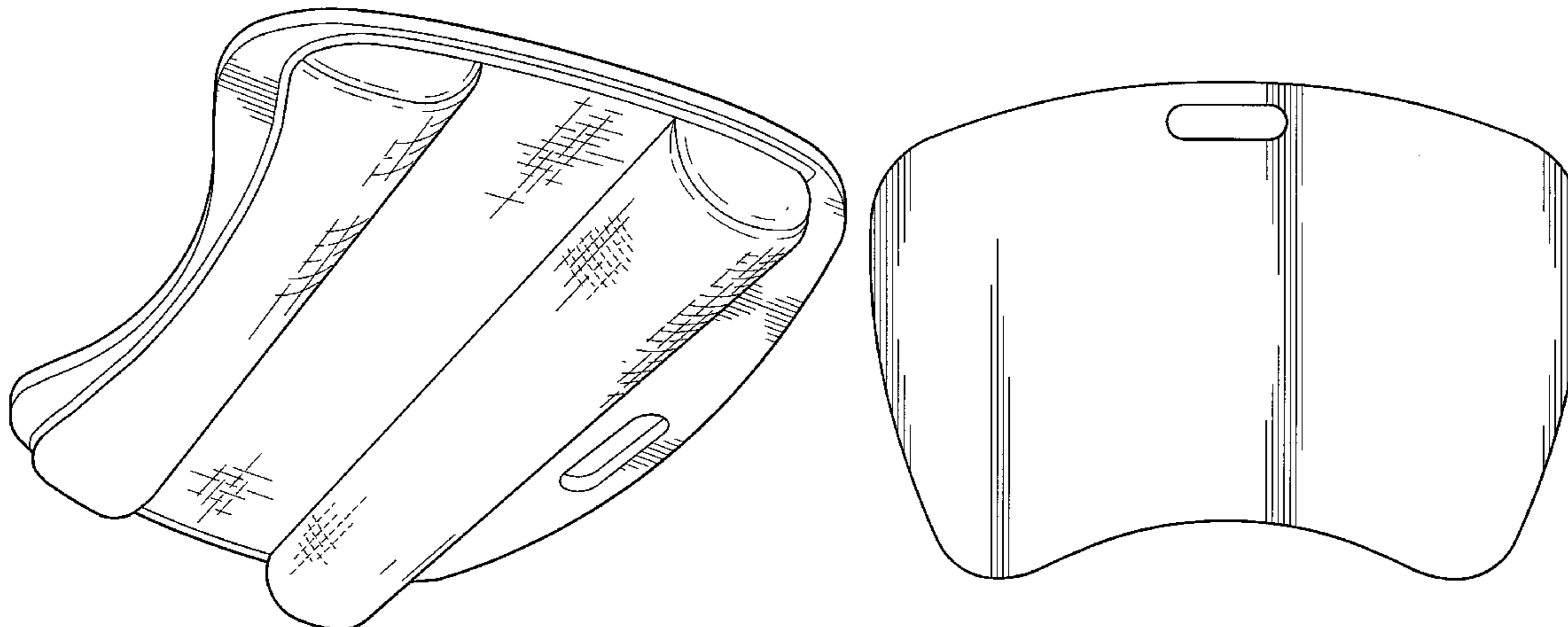
(57) **CLAIM**

The ornamental design for a lap desk, as shown and described.

DESCRIPTION

FIG. 1 is a bottom perspective view of the present lap desk, showing my new design;
FIG. 2 is a bottom plan view thereof;
FIG. 3 is a front elevational view thereof;
FIG. 4 is a top plan view thereof;
FIG. 5 is a rear elevational view thereof; and,
FIG. 6 is a right side elevational view thereof, the left side elevational view being a mirror image thereof.
The crisscross pattern schematically depicted in FIGS. 1, 2, 3, 5, and 6 indicates a change in material that is continuous throughout the surface on which the pattern is shown.

1 Claim, 2 Drawing Sheets



US D609,027 S

Page 2

U.S. PATENT DOCUMENTS

D349,731 S *	8/1994	Leveen et al.	D19/88	6,353,530 B1	3/2002	Zarek et al.	
D354,636 S	1/1995	Cable		D455,024 S	4/2002	Mimick et al.	
5,460,102 A	10/1995	Pasmanick		D467,933 S	12/2002	Hovsepian	
D371,644 S	7/1996	Lillelund et al.		6,496,360 B1	12/2002	Cordes et al.	
D376,948 S	12/1996	Sullins et al.		6,529,369 B1	3/2003	Zarek et al.	
5,598,786 A	2/1997	Patterson		D472,728 S	4/2003	Harris et al.	
D390,718 S	2/1998	Howland et al.		6,663,072 B1	12/2003	Ritchey et al.	
D400,949 S	11/1998	Gale		6,675,721 B2	1/2004	Zeiders	
D409,026 S *	5/1999	Rosko et al.	D6/511	D488,816 S	4/2004	Tyler et al.	
D411,388 S	6/1999	Sacco et al.		6,757,159 B2	6/2004	Zarek et al.	
D413,209 S	8/1999	Jarke		D499,575 S	12/2004	Chan	
D418,327 S	1/2000	Sullins et al.		6,894,894 B2	5/2005	Zarek et al.	
6,041,715 A	3/2000	Jarke et al.		D512,245 S	12/2005	Bean et al.	
6,044,758 A	4/2000	Drake		D517,833 S	3/2006	Jennings	
6,050,200 A	4/2000	Sullins et al.		7,121,214 B1	10/2006	Toltzman et al.	
D426,409 S	6/2000	Clark et al.		D531,803 S	11/2006	Jennings	
D433,580 S	11/2000	Jarke et al.		D538,059 S *	3/2007	Knorpp	D6/406.3
D440,798 S	4/2001	Kuhlman et al.		7,207,540 B2	4/2007	Thomas	
D442,795 S	5/2001	Holt		D575,077 S	8/2008	Kessels	
6,234,085 B1	5/2001	Ramundo		D583,163 S *	12/2008	Jennings	D6/406.6
D443,999 S	6/2001	Cable		D583,164 S	12/2008	Jennings	
6,328,050 B1	12/2001	McConnell		D584,070 S	1/2009	Jennings	
D452,867 S	1/2002	Goto		D584,530 S *	1/2009	Jennings	D6/406.3

* cited by examiner

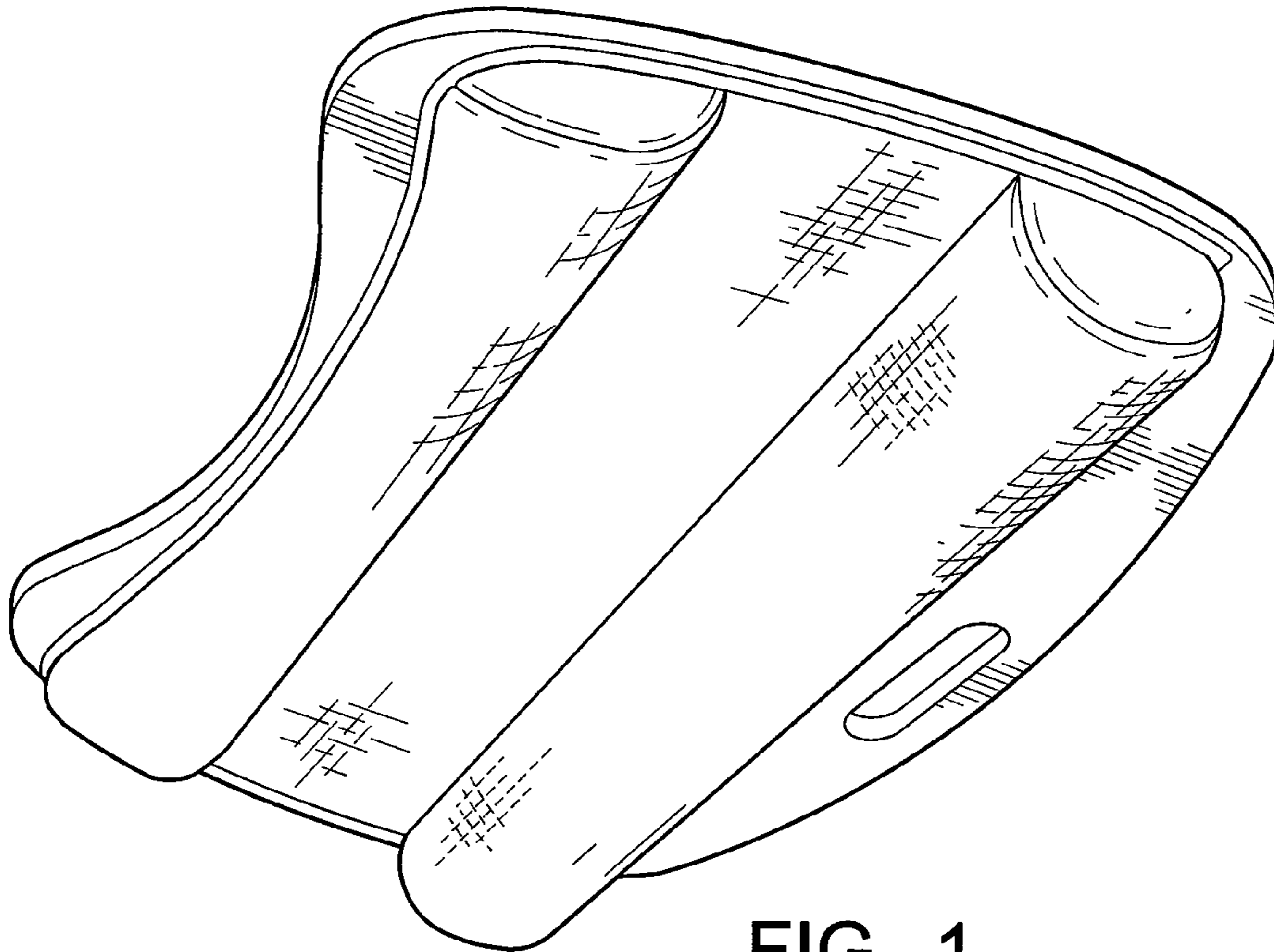


FIG. 1

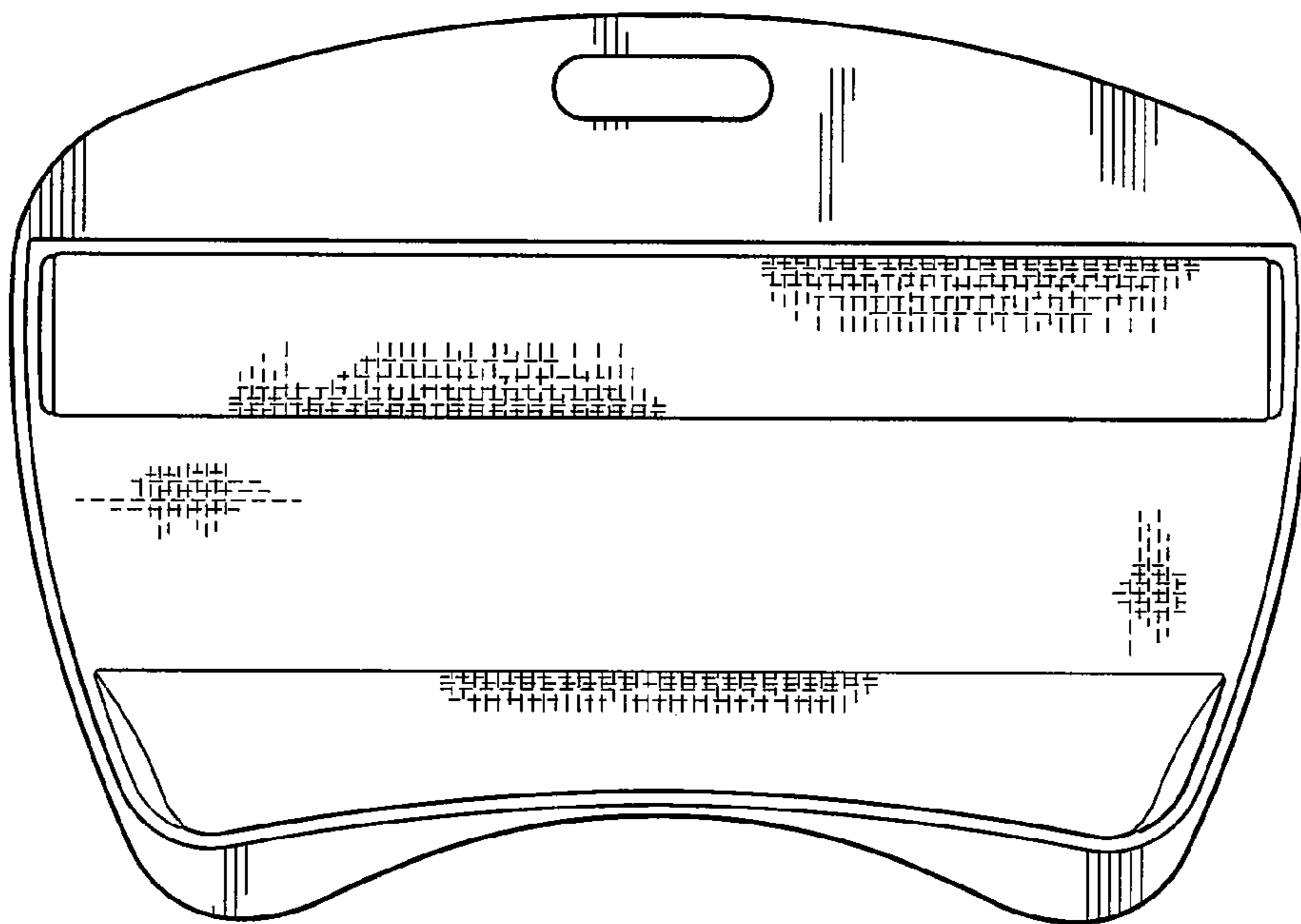


FIG. 2

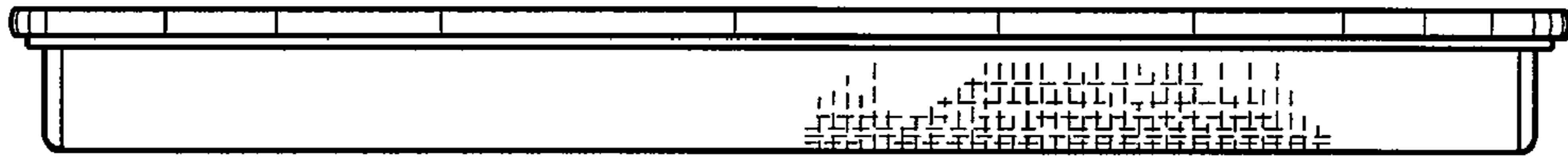


FIG. 3

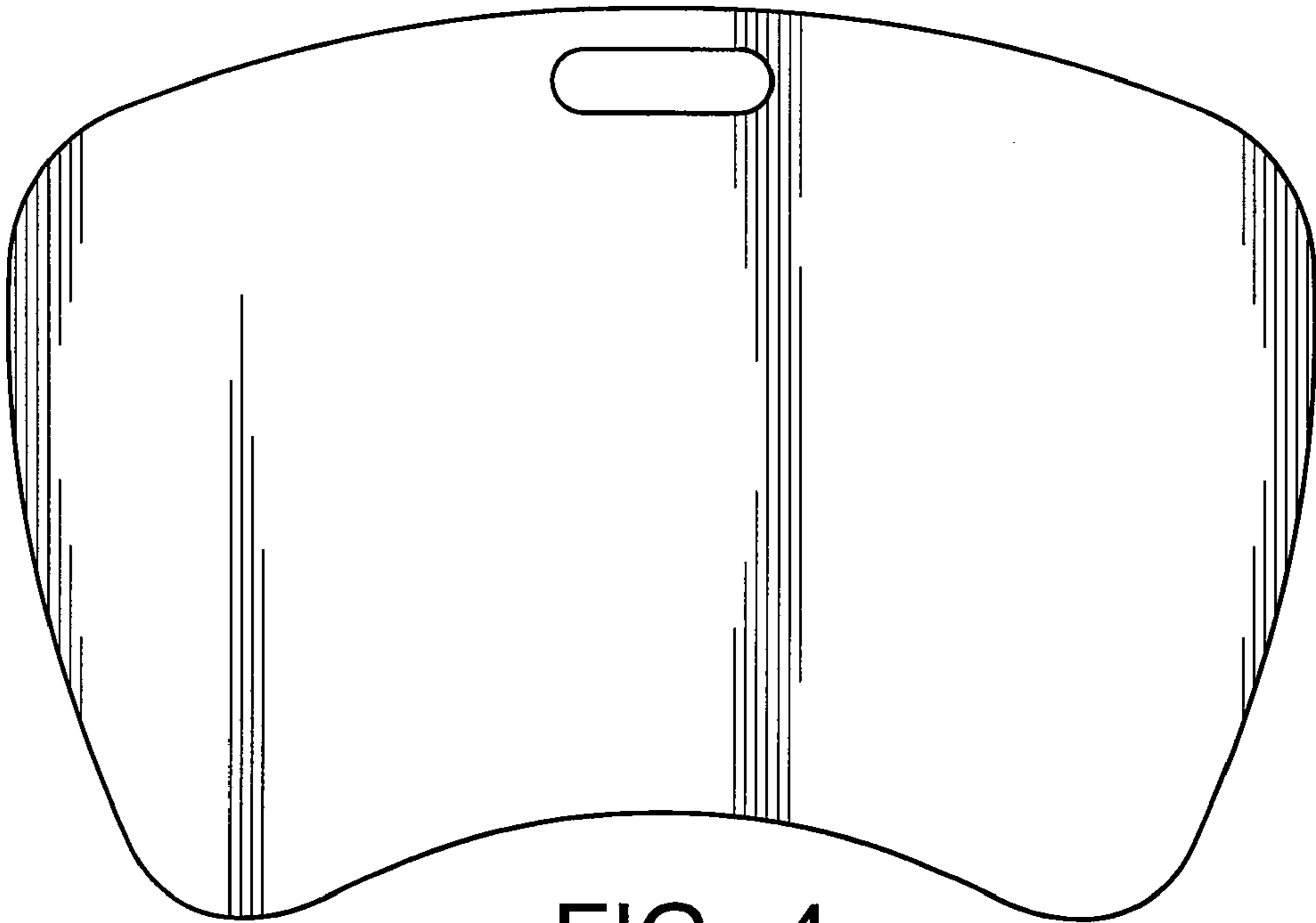


FIG. 4

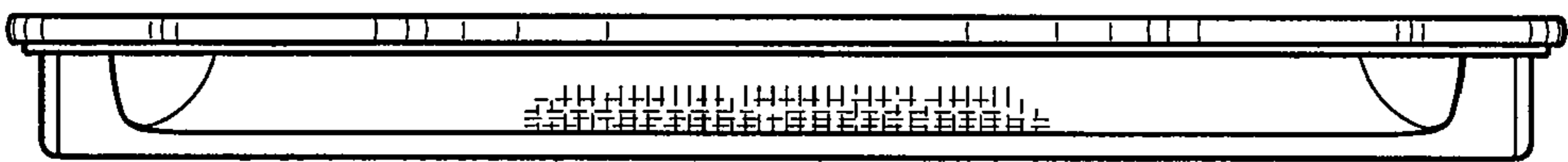


FIG. 5

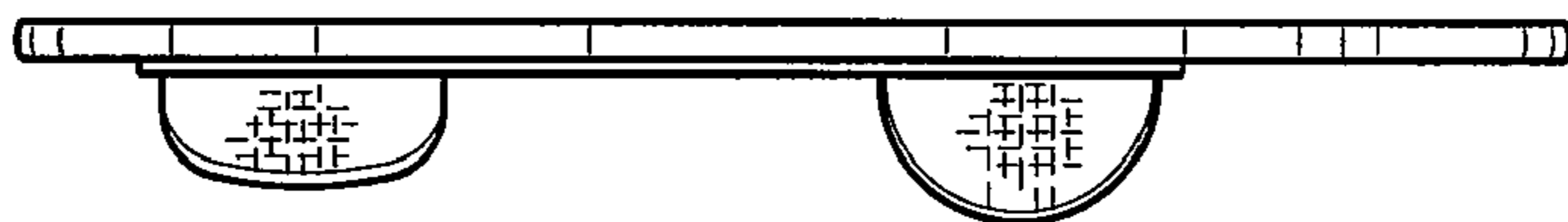


FIG. 6