



US00D609026S

(12) **United States Design Patent**
Griepentrog et al.

(10) **Patent No.:** **US D609,026 S**
(45) **Date of Patent:** **** Feb. 2, 2010**

(54) **ARTICLE OF SEATING FURNITURE**

(57) **CLAIM**

(75) Inventors: **Dennis G. Griepentrog**, DePere, WI (US); **Shawn Barrett**, Libertyville, IL (US)

The ornamental design for an article of seating furniture, as shown and described.

(73) Assignee: **Krueger International, Inc.**, Green Bay, WI (US)

DESCRIPTION

(**) Term: **14 Years**

FIG. 1 is an isometric view of an article of seating furniture incorporating my new design, wherein the portions in phantom illustrate indeterminate length and also illustrate environment and form no part of the claimed design;

(21) Appl. No.: **29/280,881**

FIG. 2 is a front elevation view thereof;

(22) Filed: **Jun. 8, 2007**

FIG. 3 is a top plan view thereof;

(51) **LOC (9) Cl.** **06-01**

FIG. 4 is a right side elevation view thereof, wherein the left side elevation view is a mirror image;

(52) **U.S. Cl.** **D6/381**

FIG. 5 is a rear elevation view thereof;

(58) **Field of Classification Search** D6/334,
D6/349, 355, 364, 370, 374, 378, 381, 382,
D6/383, 491, 495, 500–503; 297/68, 232,
297/233, 353, 445.1, 448.1, 448.2, DIG. 7;
5/12.1, 12.2

FIG. 6 is an isometric view similar to FIG. 1, showing another embodiment of an article of seating furniture incorporating my new design, wherein the top plan view, side elevation views and rear elevation view are the same as shown with respect to the embodiment of FIGS. 1–5;

See application file for complete search history.

FIG. 7 is a front elevation view thereof;

(56) **References Cited**

U.S. PATENT DOCUMENTS

FIG. 8 is an isometric view showing an article of seating furniture as in FIG. 1 converted to a bed configuration;

3,857,120	A *	12/1974	Acker	5/12.1
4,110,855	A *	9/1978	Acker	5/45
4,292,698	A *	10/1981	Acker	5/45
D272,968	S *	3/1984	Fairaizen	D6/381
D335,035	S *	4/1993	Floyd	D6/361
5,787,522	A *	8/1998	Swihart	5/45
D486,652	S	2/2004	Nemeth	
6,739,651	B1	5/2004	Barefoot	
D490,630	S	6/2004	Pesso	
D491,756	S	6/2004	Nemeth	
D569,123	S *	5/2008	Rooz et al.	D6/381
D591,073	S *	4/2009	Natuzzi	D6/381

FIG. 9 is a front elevation view thereof;

FIG. 10 is a top plan view thereof;

FIG. 11 is a right side elevation view thereof, wherein the left side elevation view is a mirror image;

* cited by examiner

FIG. 12 is a rear elevation view thereof;

Primary Examiner—Sandra Snapp

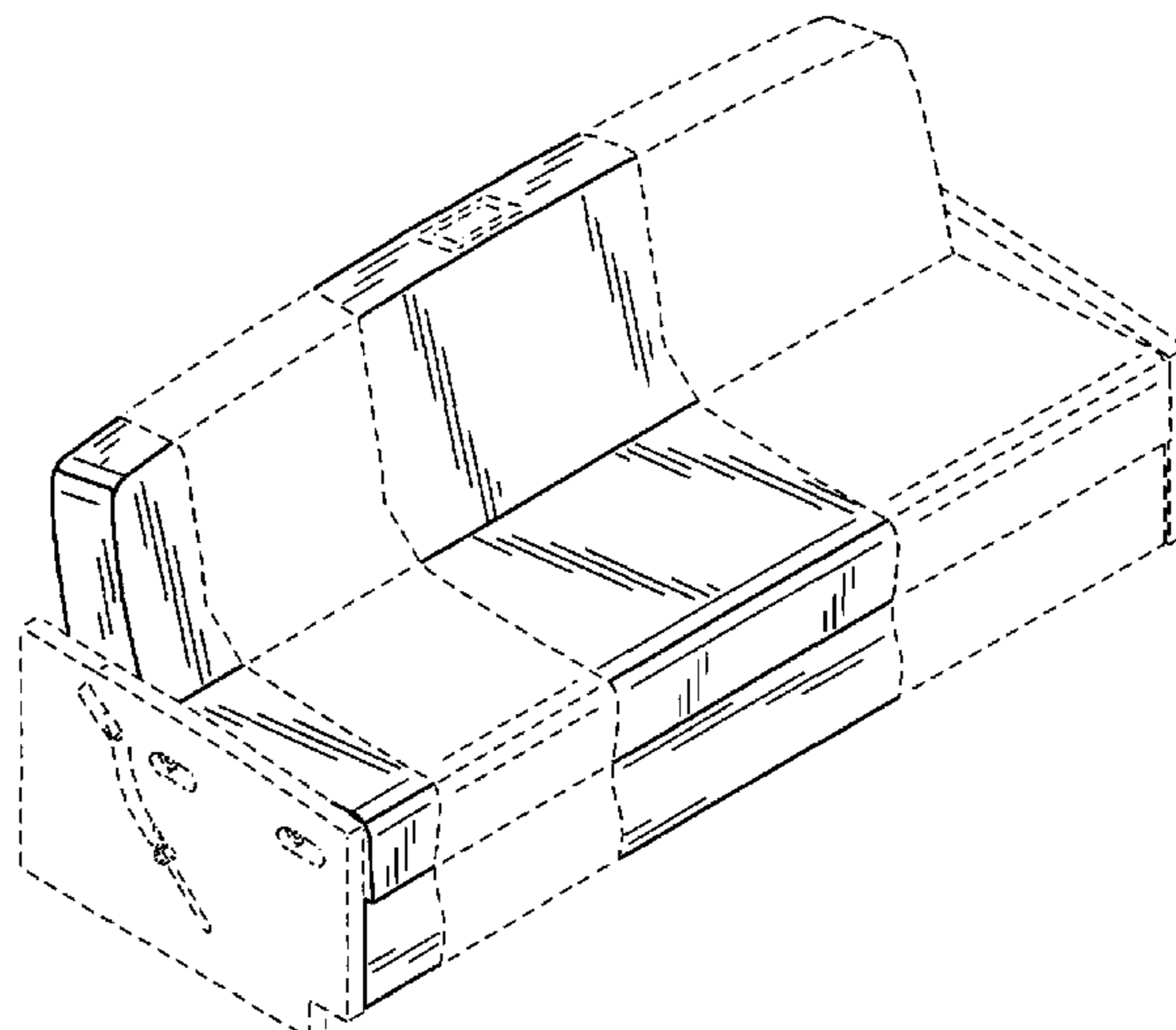
FIG. 13 is an isometric view showing an article of seating furniture as in FIG. 6 converted to a bed configuration, wherein the side elevation views are the same as illustrated with respect to the embodiment of FIGS. 8–12;

(74) *Attorney, Agent, or Firm*—Andrus, Sceales, Starke & Sawall, LLP

FIG. 14 is a front elevation view thereof; and,

FIG. 15 is a rear elevation view thereof.

1 Claim, 7 Drawing Sheets



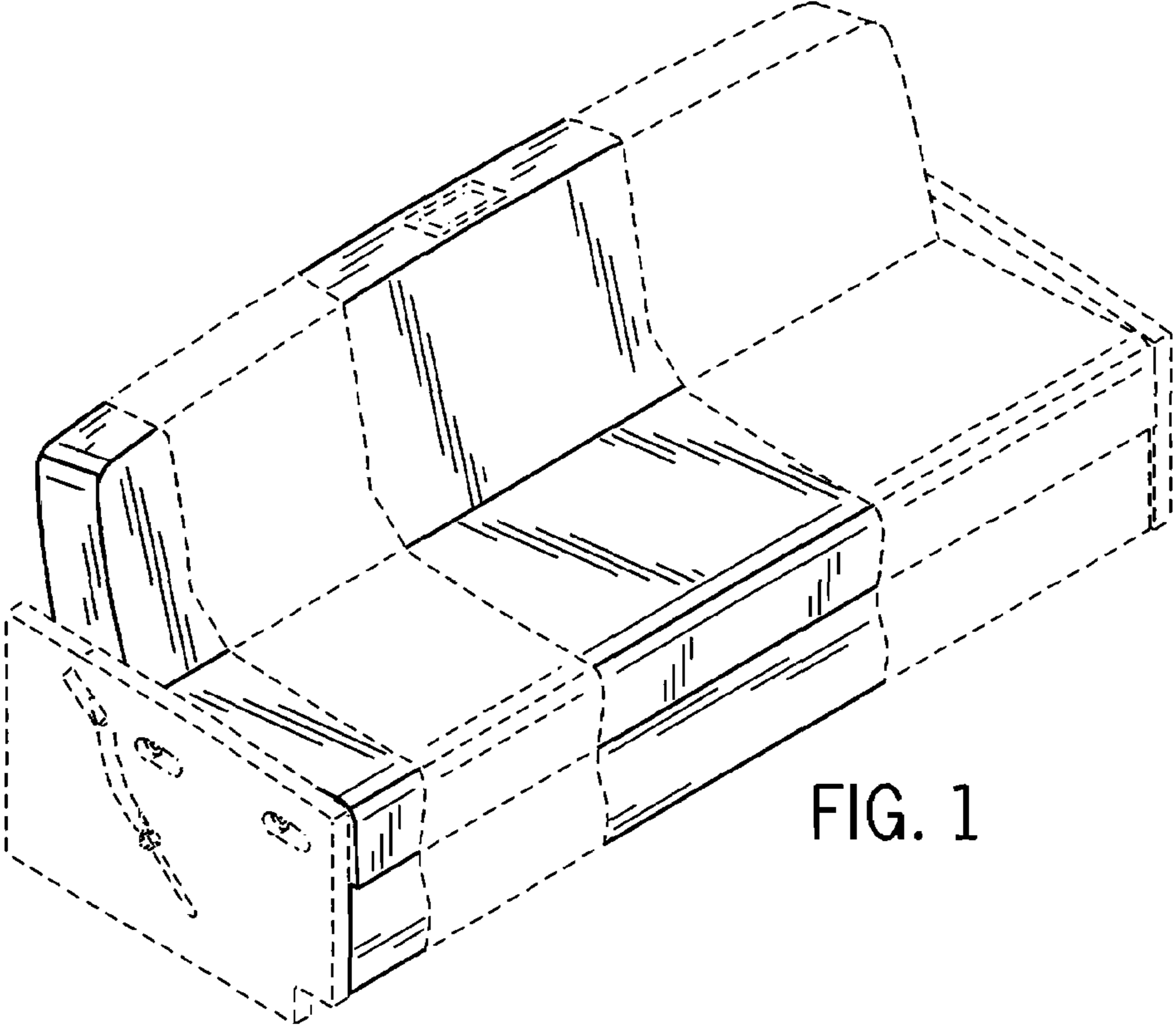


FIG. 1

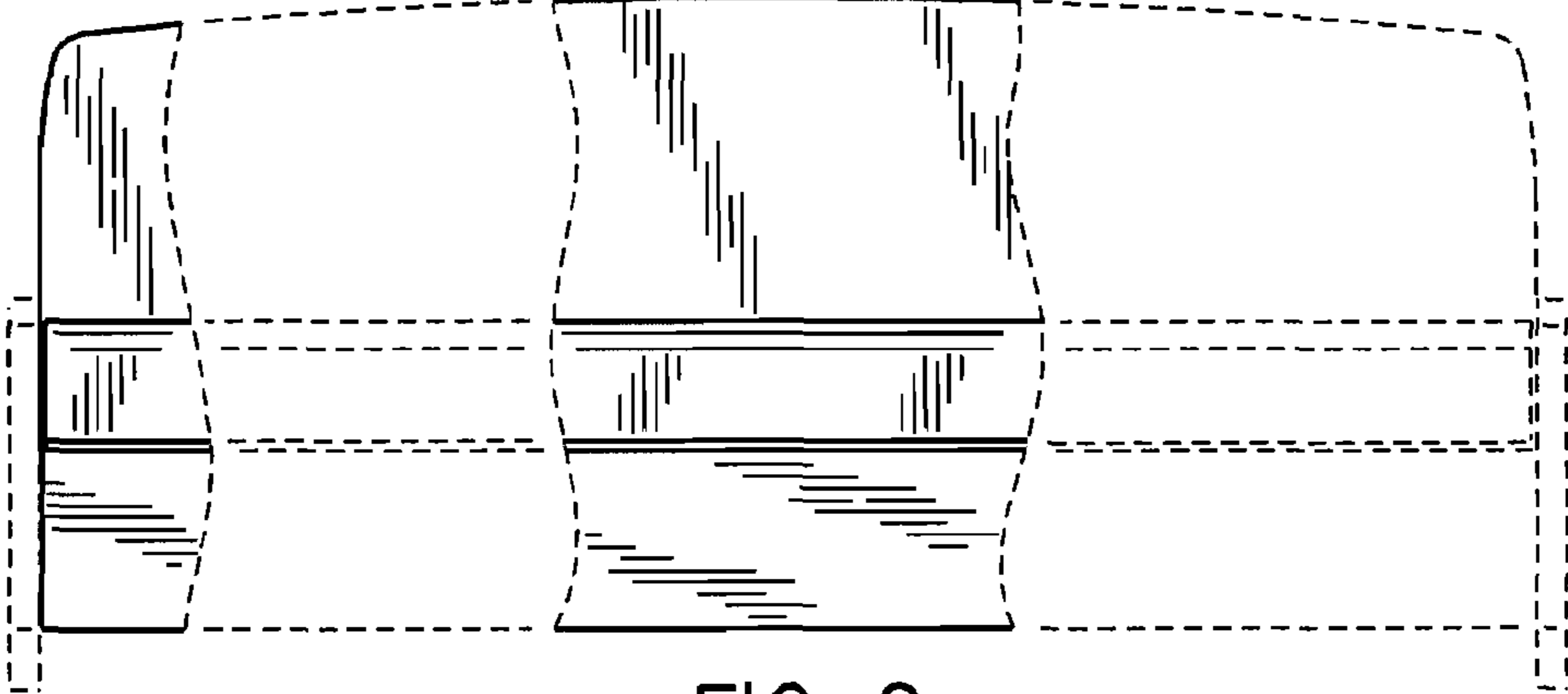


FIG. 2

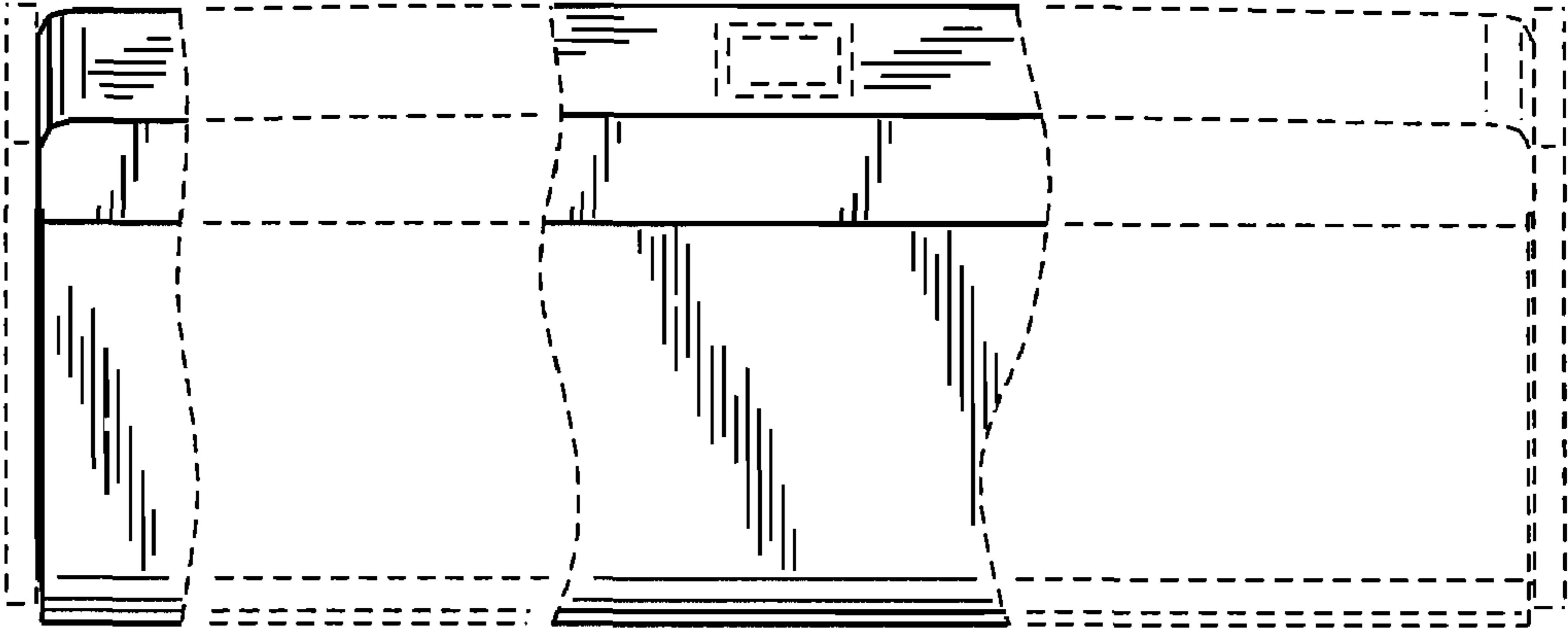


FIG. 3

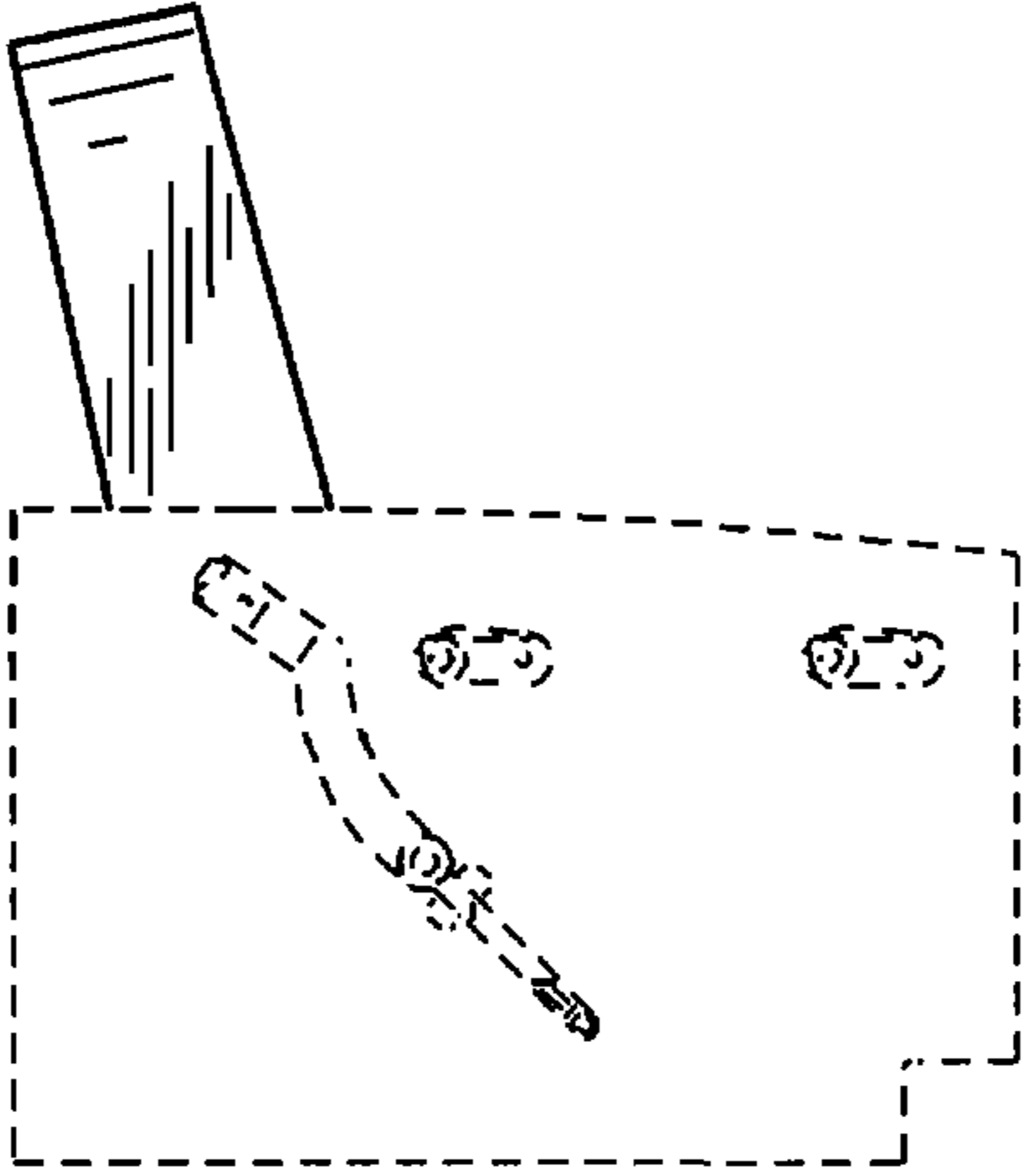


FIG. 4

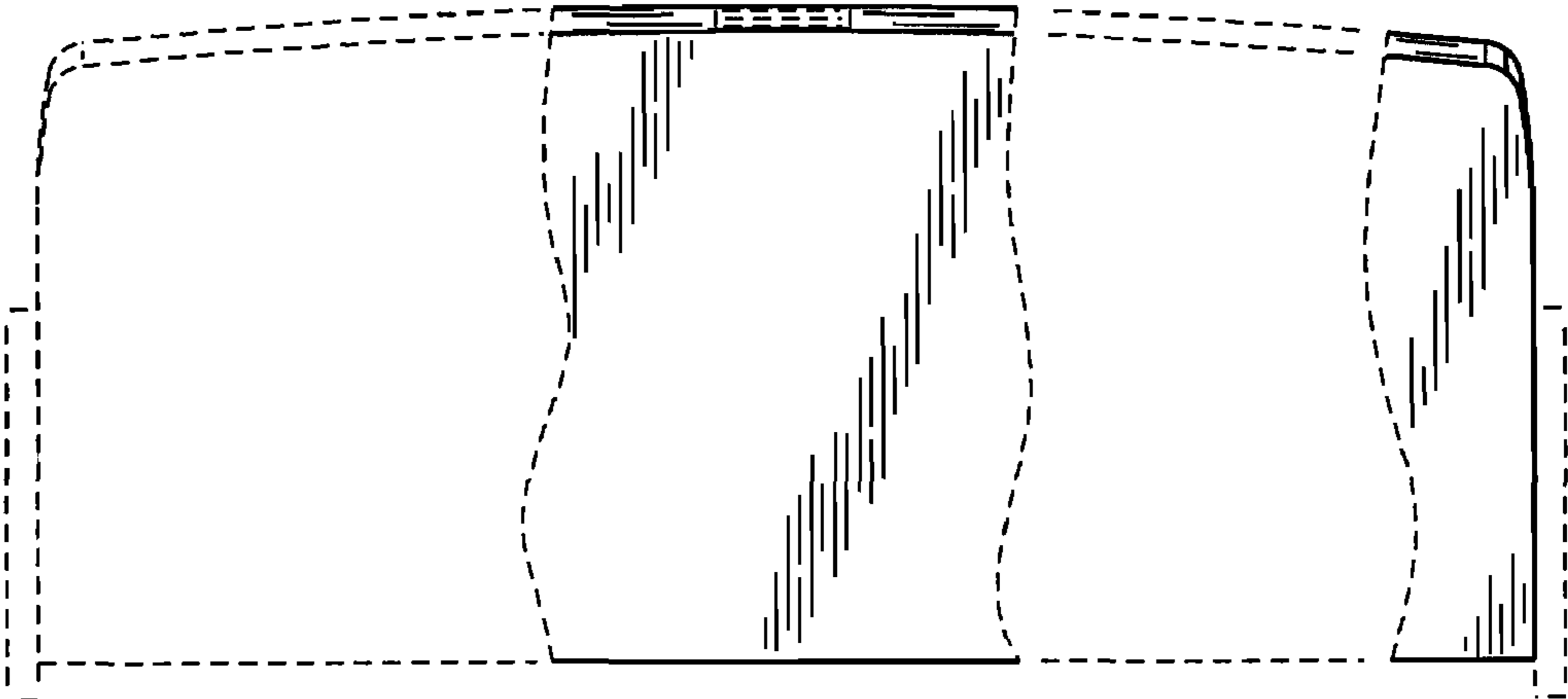


FIG. 5

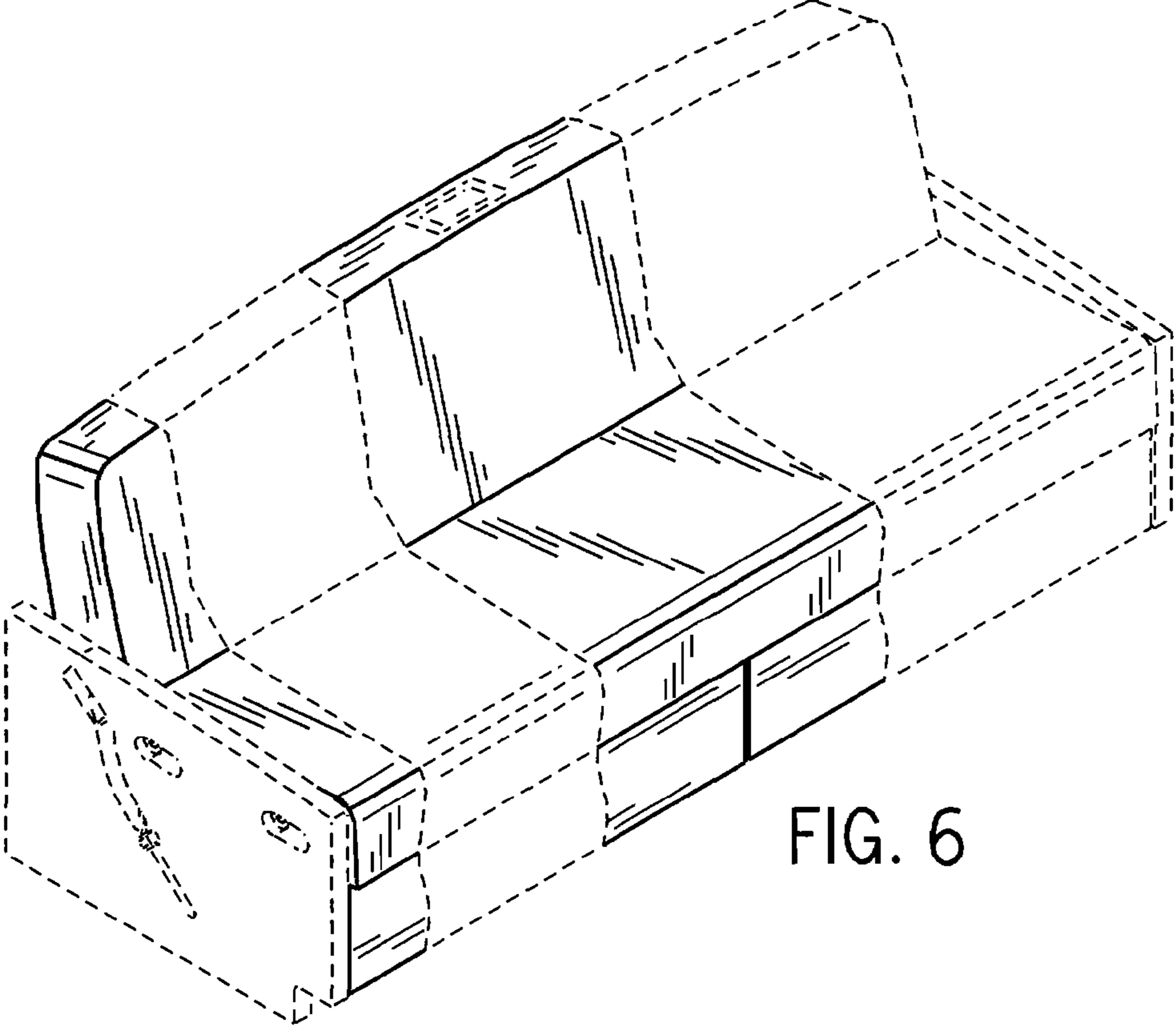


FIG. 6

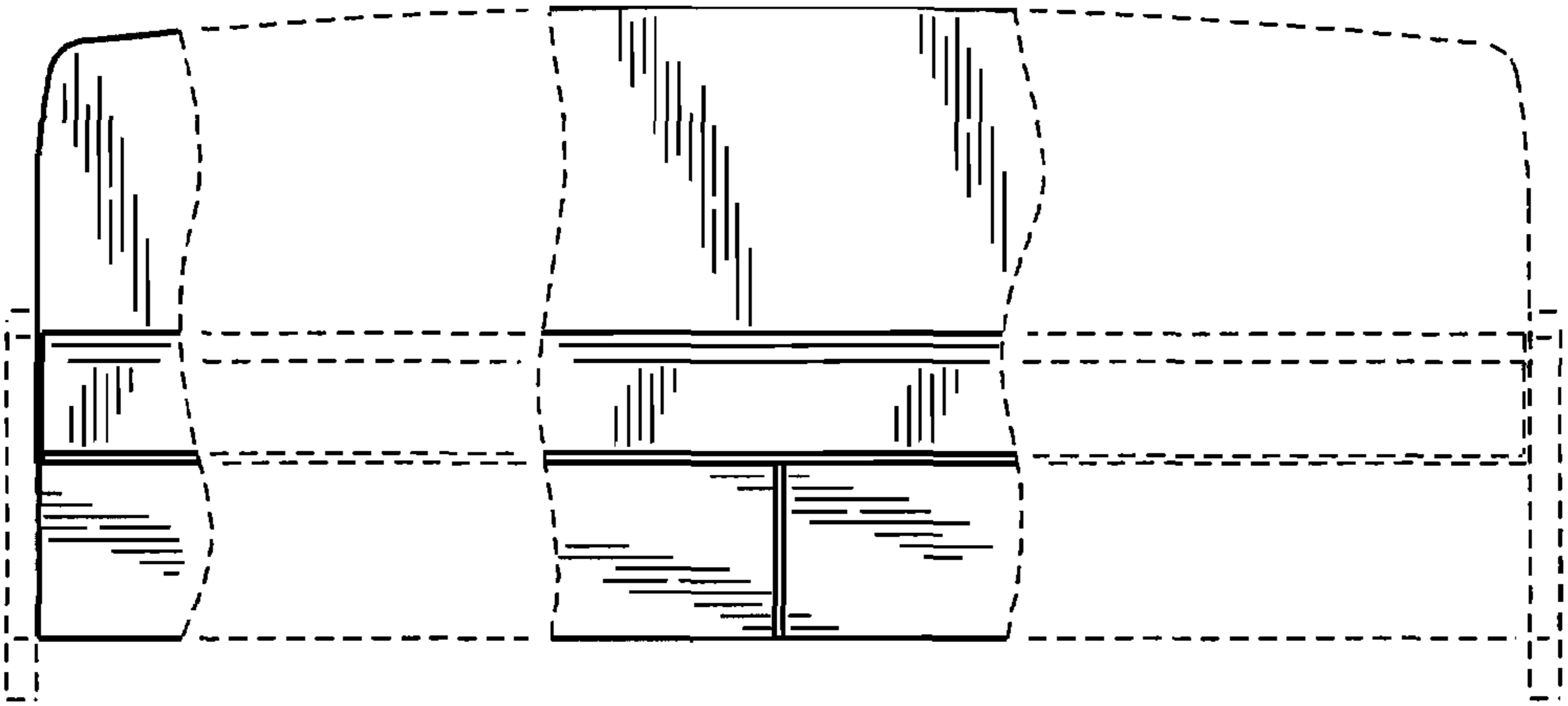


FIG. 7

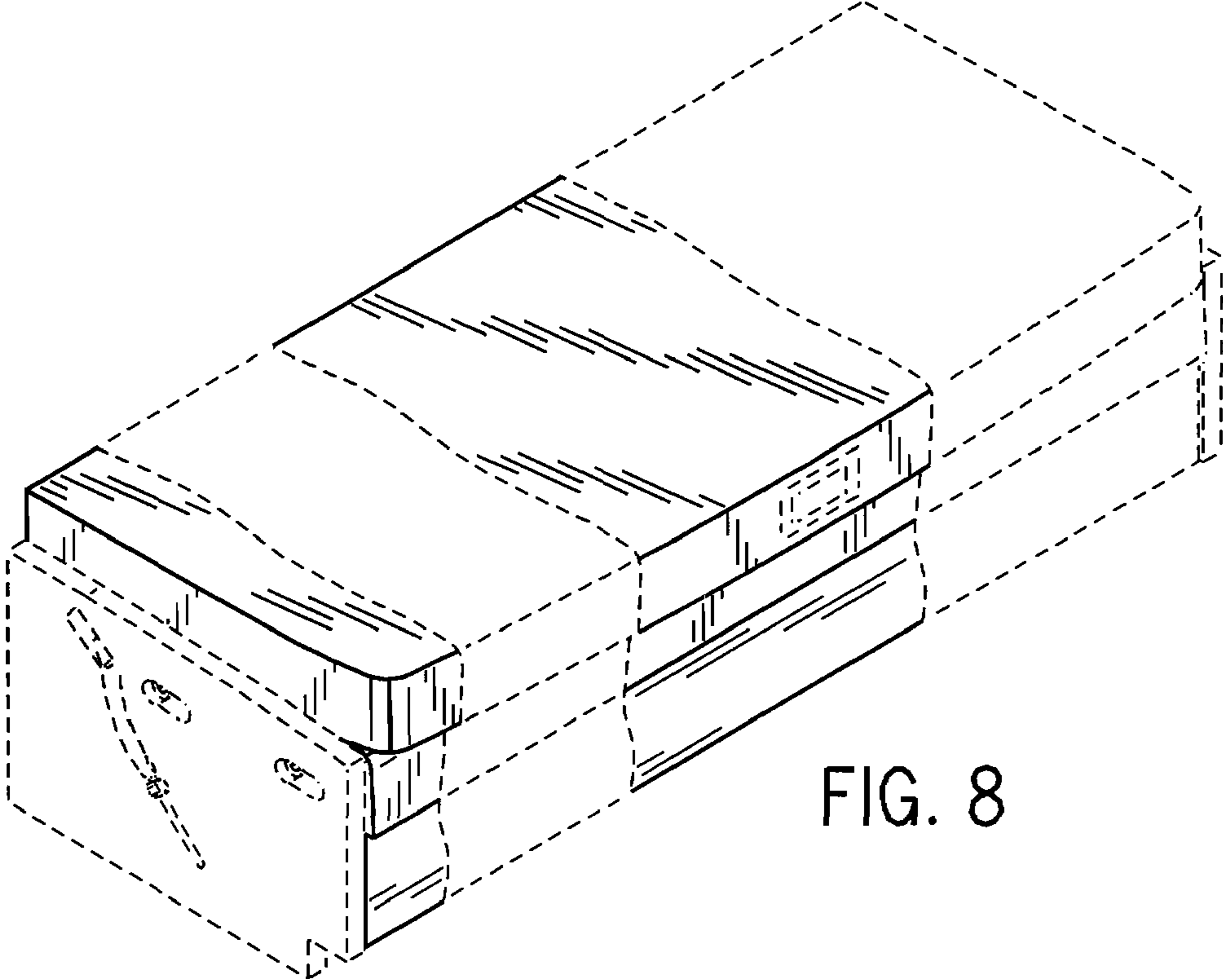


FIG. 8

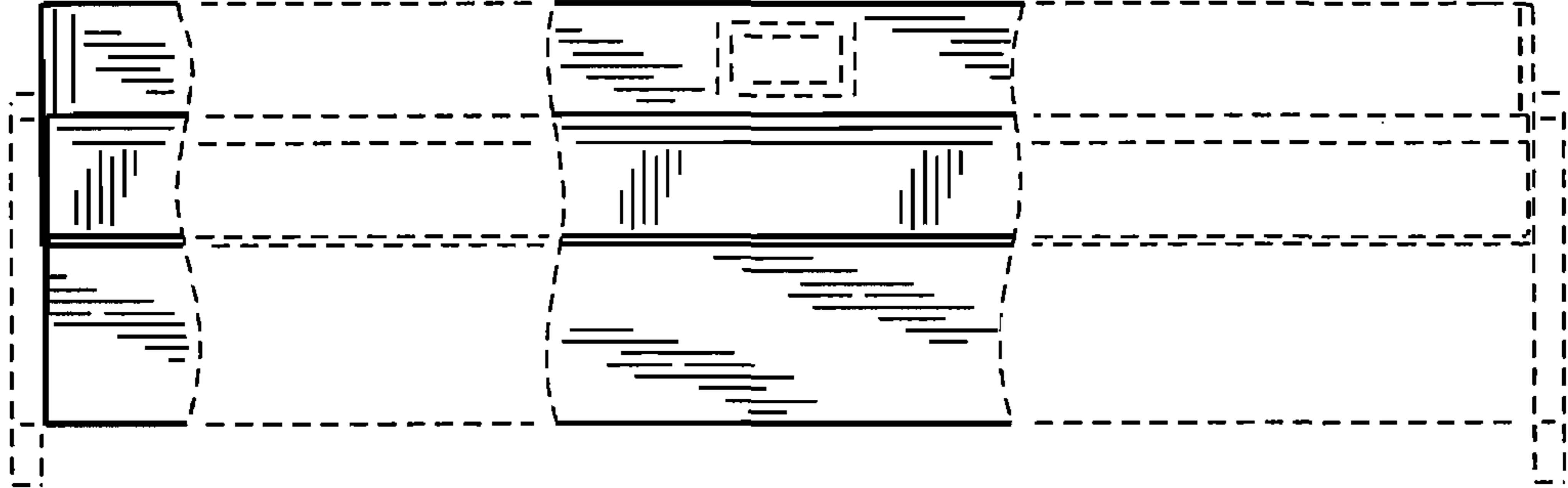


FIG. 9

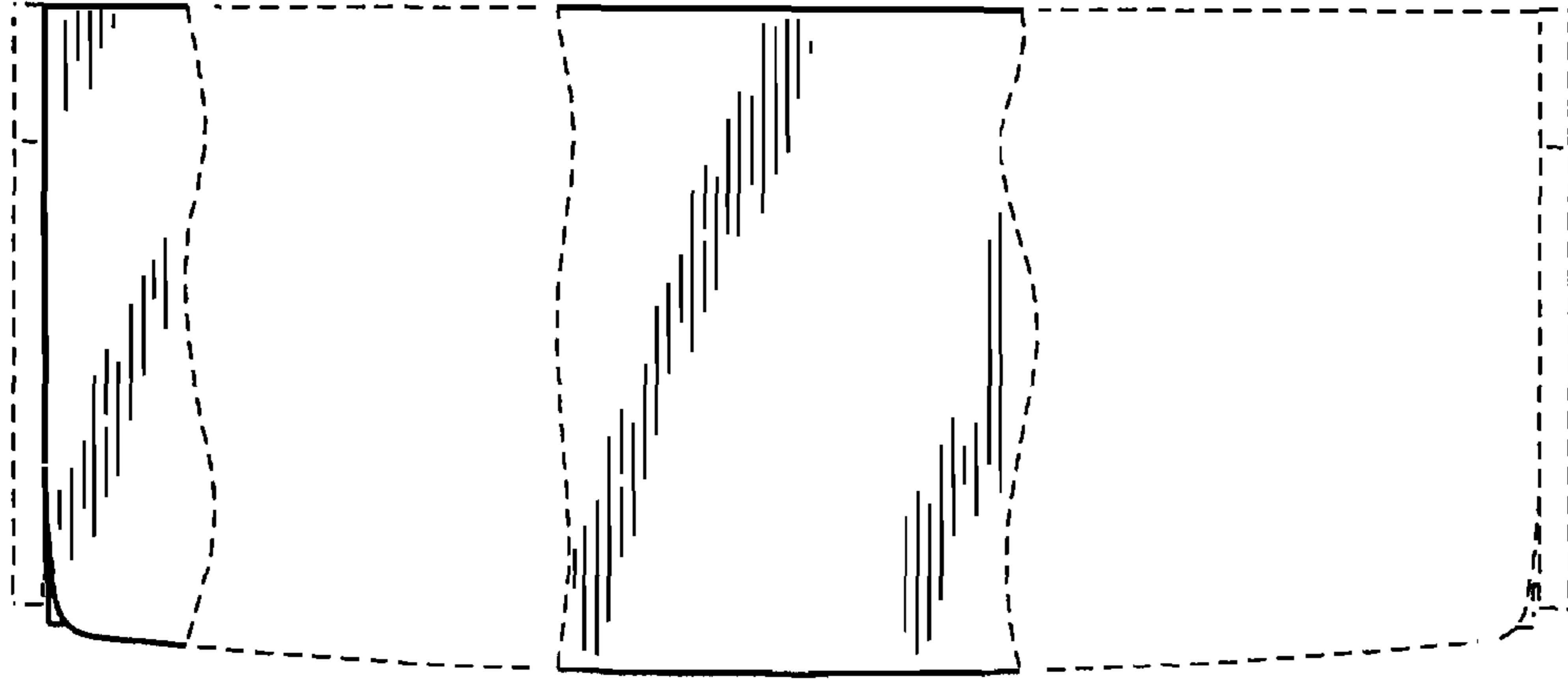


FIG. 10

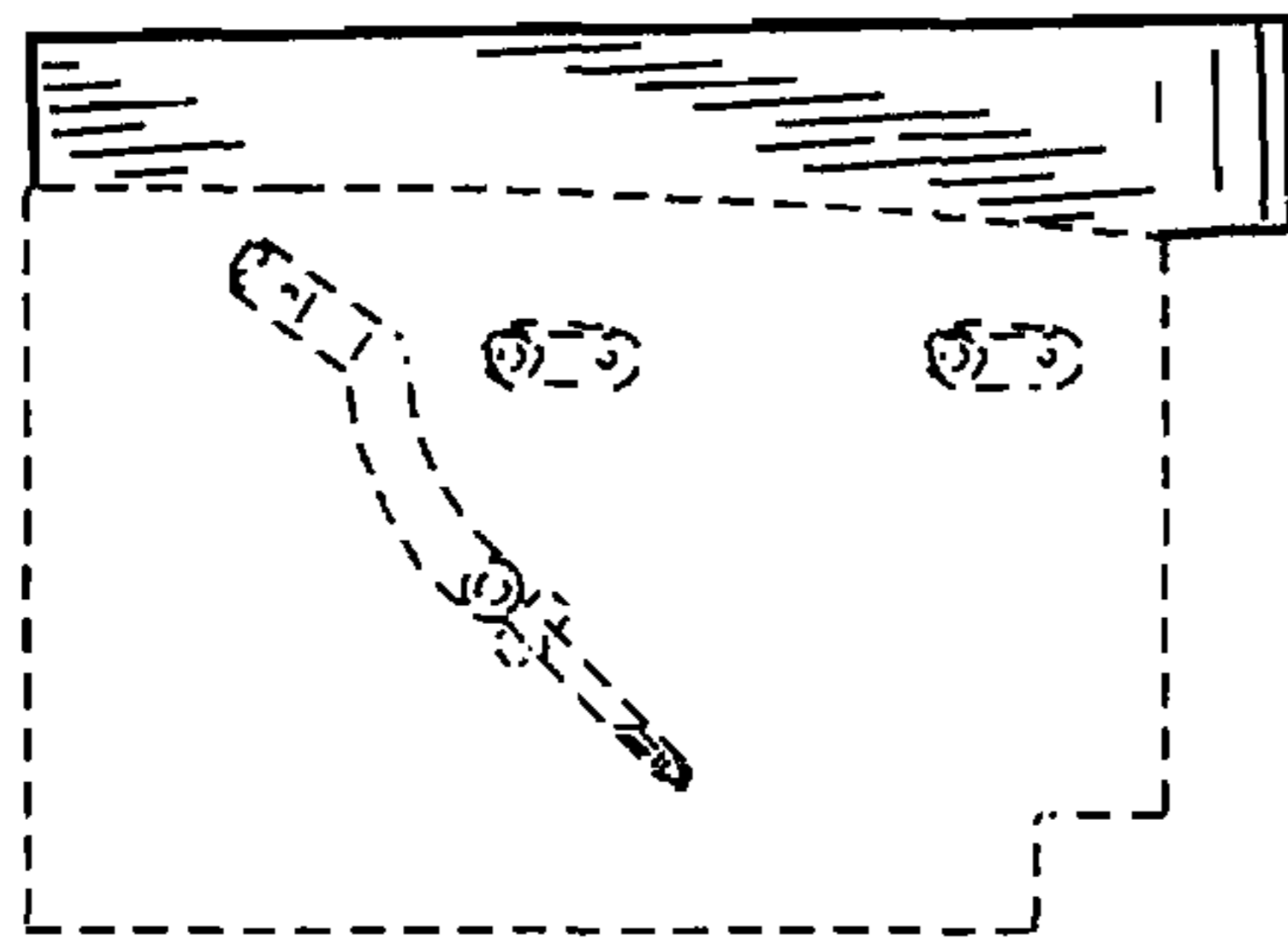


FIG. 11

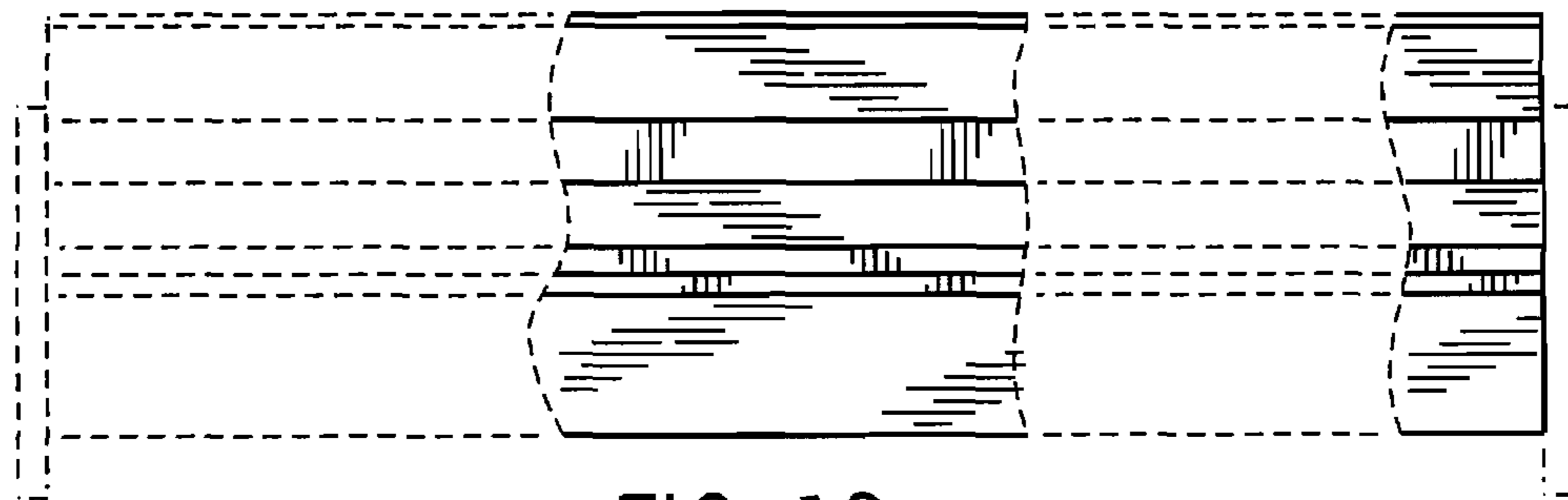


FIG. 12

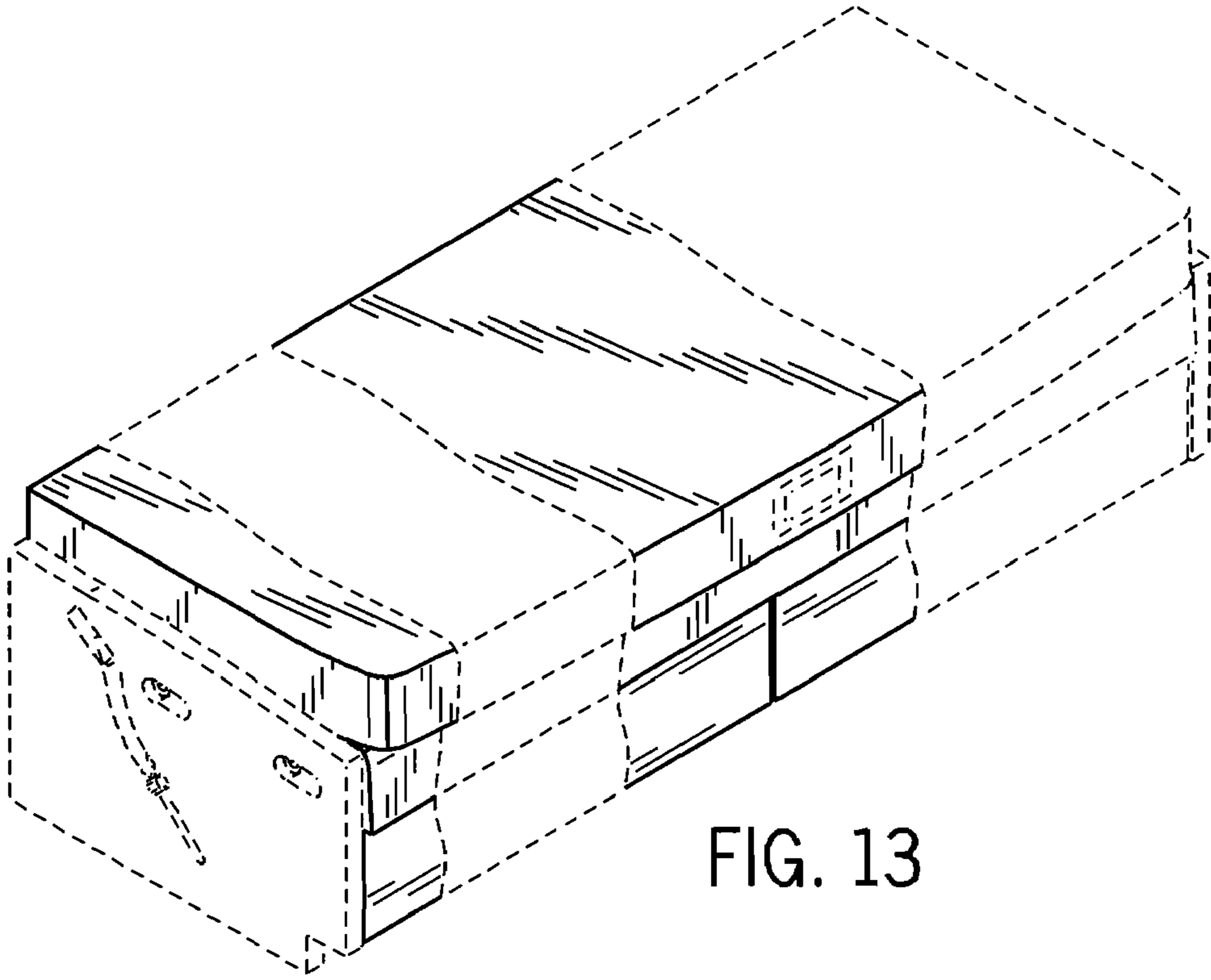


FIG. 13

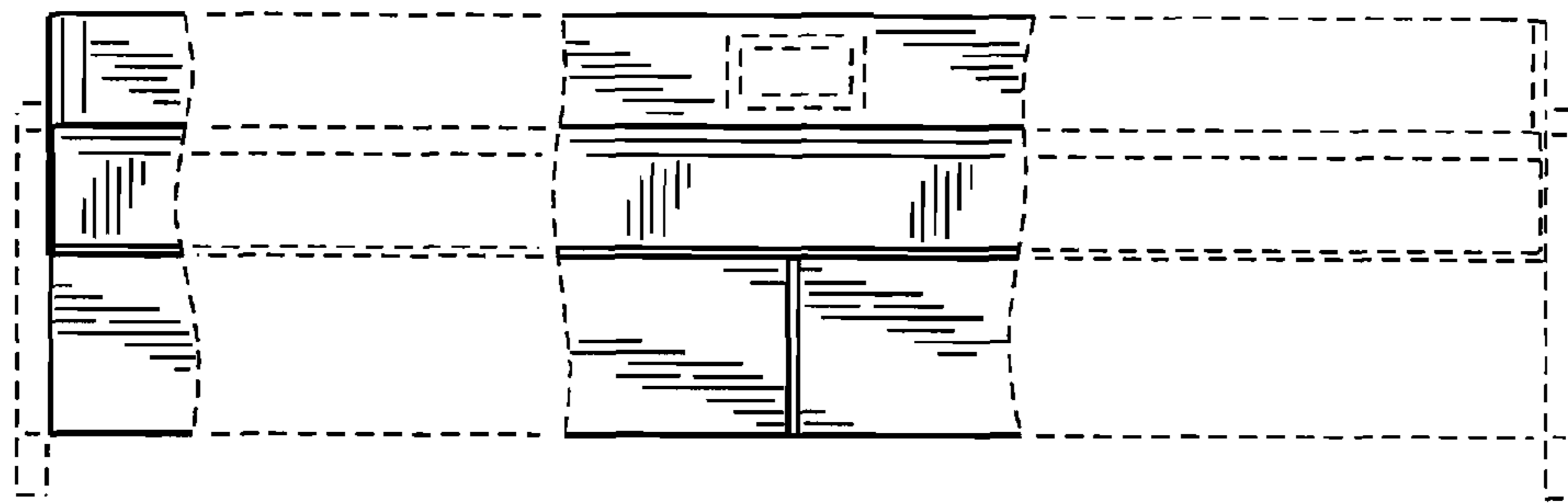


FIG. 14

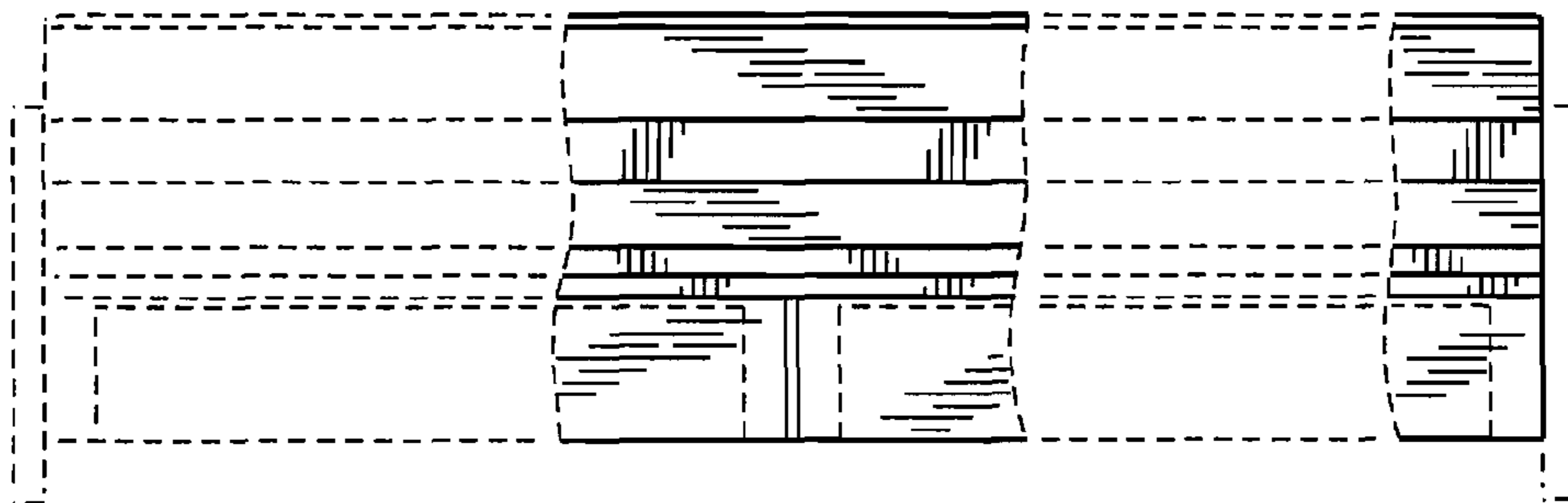


FIG. 15