



US00D609024S

(12) **United States Design Patent**
Guan

(10) **Patent No.:** **US D609,024 S**

(45) **Date of Patent:** **** Feb. 2, 2010**

(54) **CHAIR**

(75) Inventor: **Xiaohui Guan**, Guangzhou (CN)

(73) Assignee: **Alma Manufacturing Co., Ltd.**,
Guangdong (CN)

(**) Term: **14 Years**

(21) Appl. No.: **29/329,329**

(22) Filed: **Dec. 12, 2008**

(30) **Foreign Application Priority Data**

Jun. 13, 2008 (CN) 2008 3 0130419

(51) **LOC (9) Cl.** **06-01**

(52) **U.S. Cl.** **D6/367**

(58) **Field of Classification Search** D6/367,
D6/381, 334-336, 357, 364, 500-502, 370,
D6/374; 297/232, 445.1, 446.1, 411.42,
297/411.2, 248, 233

See application file for complete search history.

(56) **References Cited**

U.S. PATENT DOCUMENTS

D151,270 S * 10/1948 Kaufman D6/364

D249,988 S * 10/1978 Sprunger D6/357

D314,473 S * 2/1991 Culler D6/367

D437,496 S * 2/2001 Vu D6/357

D481,218 S * 10/2003 Spinelli et al. D6/381

D515,837 S * 2/2006 Nicoletti D6/381

D539,559 S * 4/2007 Policicchio D6/381

D548,998 S * 8/2007 Policicchio D6/381

* cited by examiner

Primary Examiner—Caron Veynar

Assistant Examiner—Abraham Bahta

(74) *Attorney, Agent, or Firm*—Ladas and Parry LLP

(57) **CLAIM**

The ornamental design for a chair, as shown and described.

DESCRIPTION

FIG. 1 is a front elevational view of the chair showing my new design;

FIG. 2 is a rear elevational view thereof;

FIG. 3 is a left elevational view thereof;

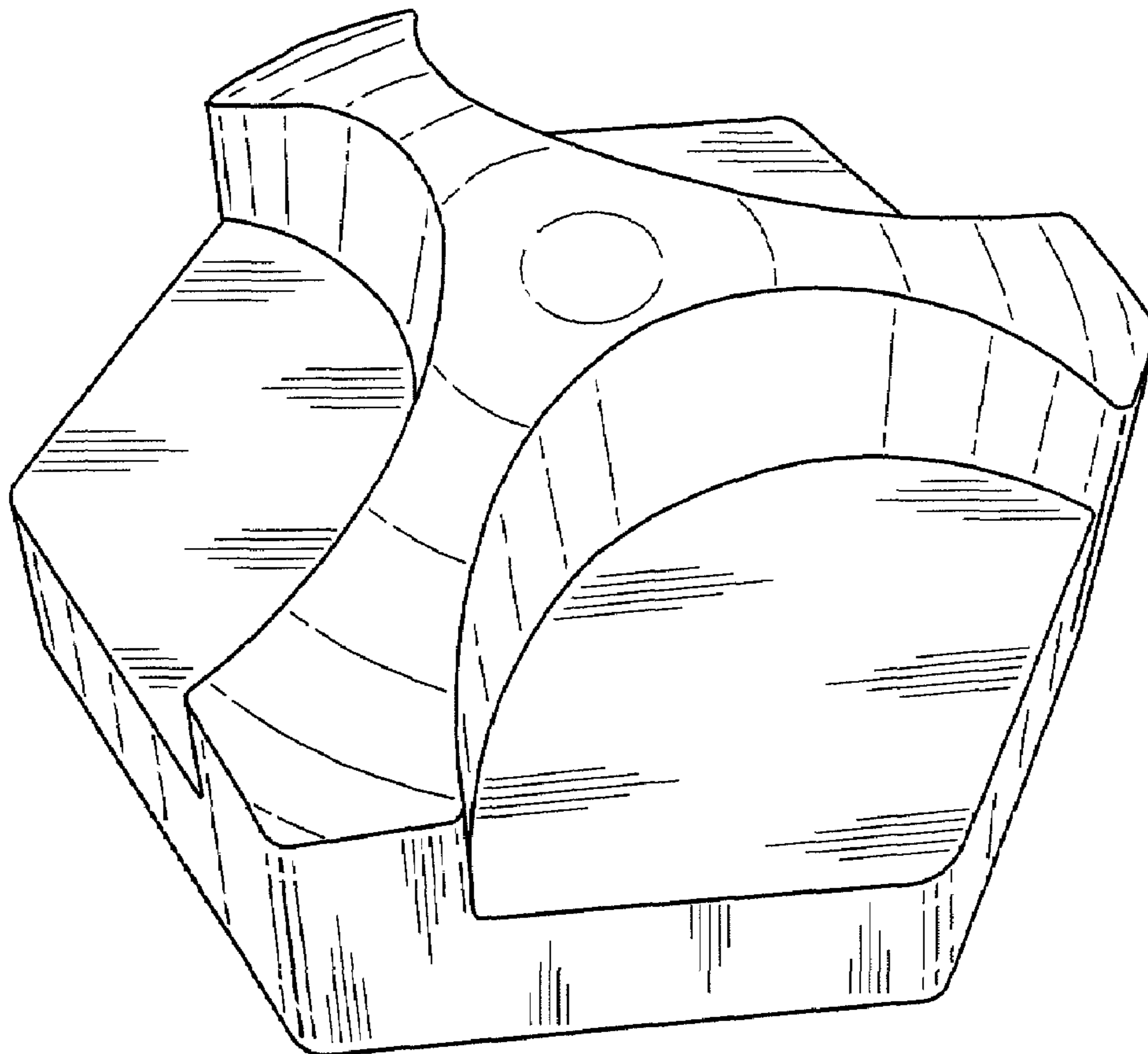
FIG. 4 is a right elevational view thereof;

FIG. 5 is a top plan view thereof;

FIG. 6 is a bottom plan view thereof; and,

FIG. 7 is a perspective view thereof.

1 Claim, 4 Drawing Sheets



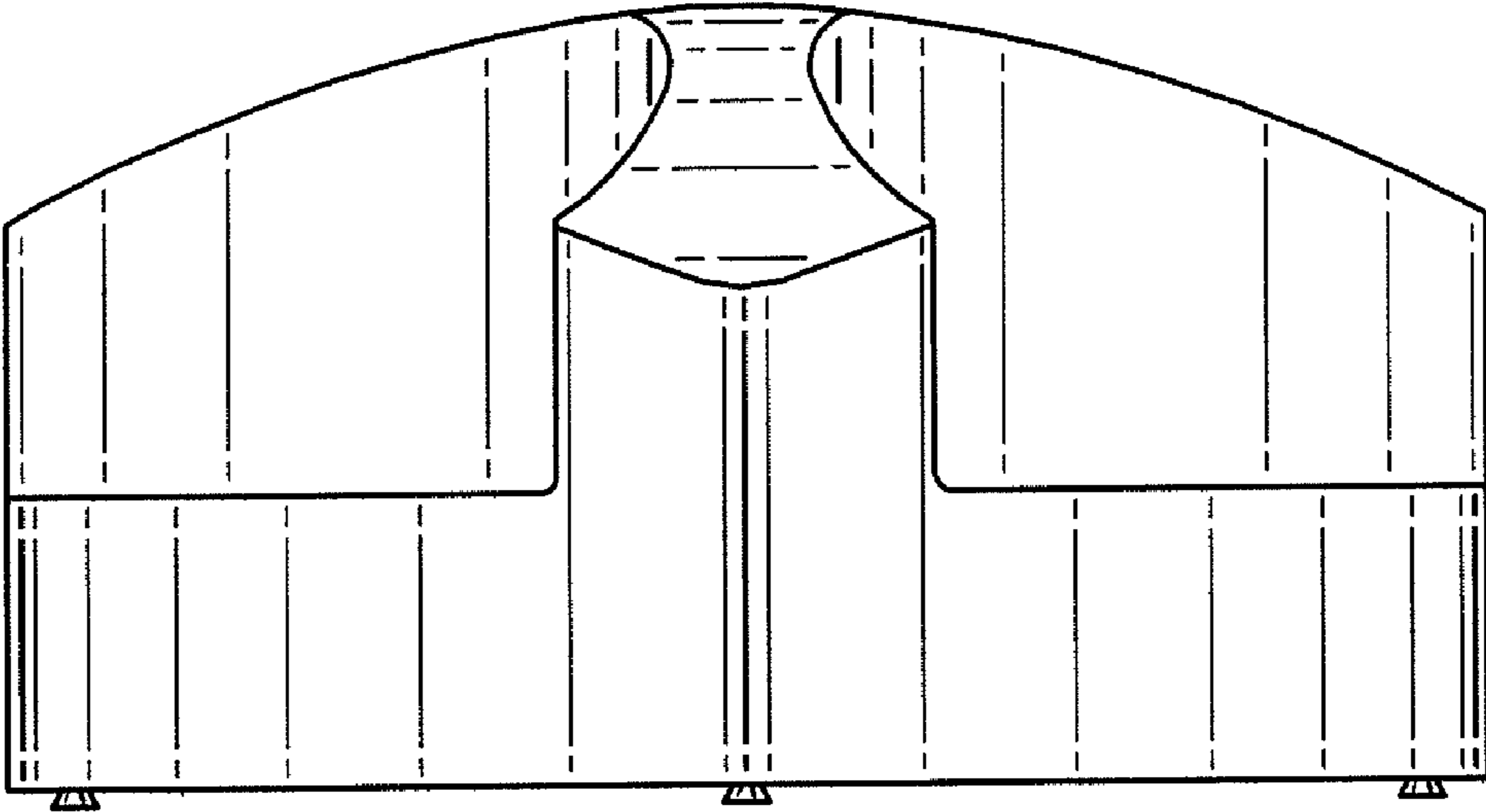


FIG. 1

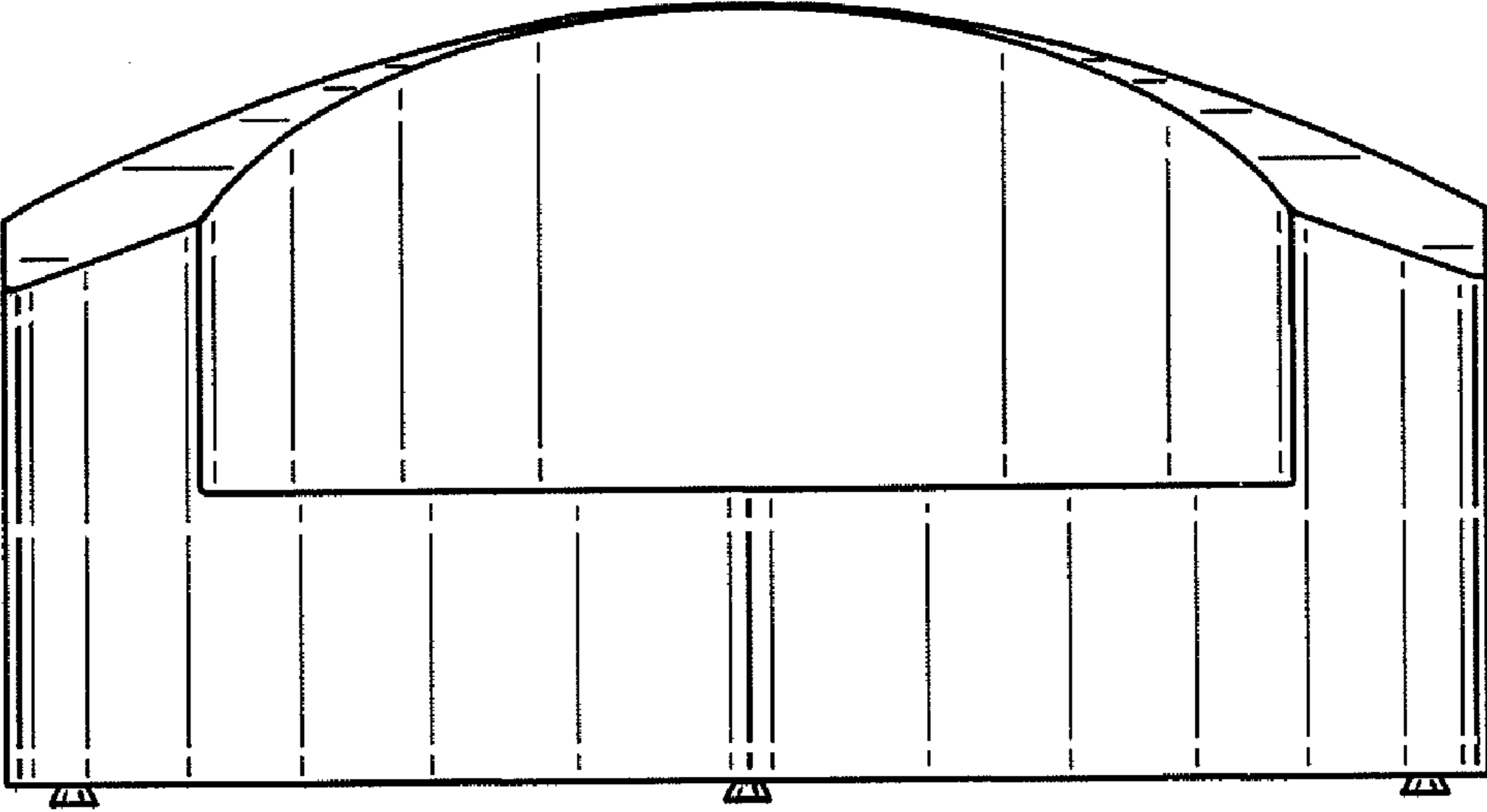


FIG. 2

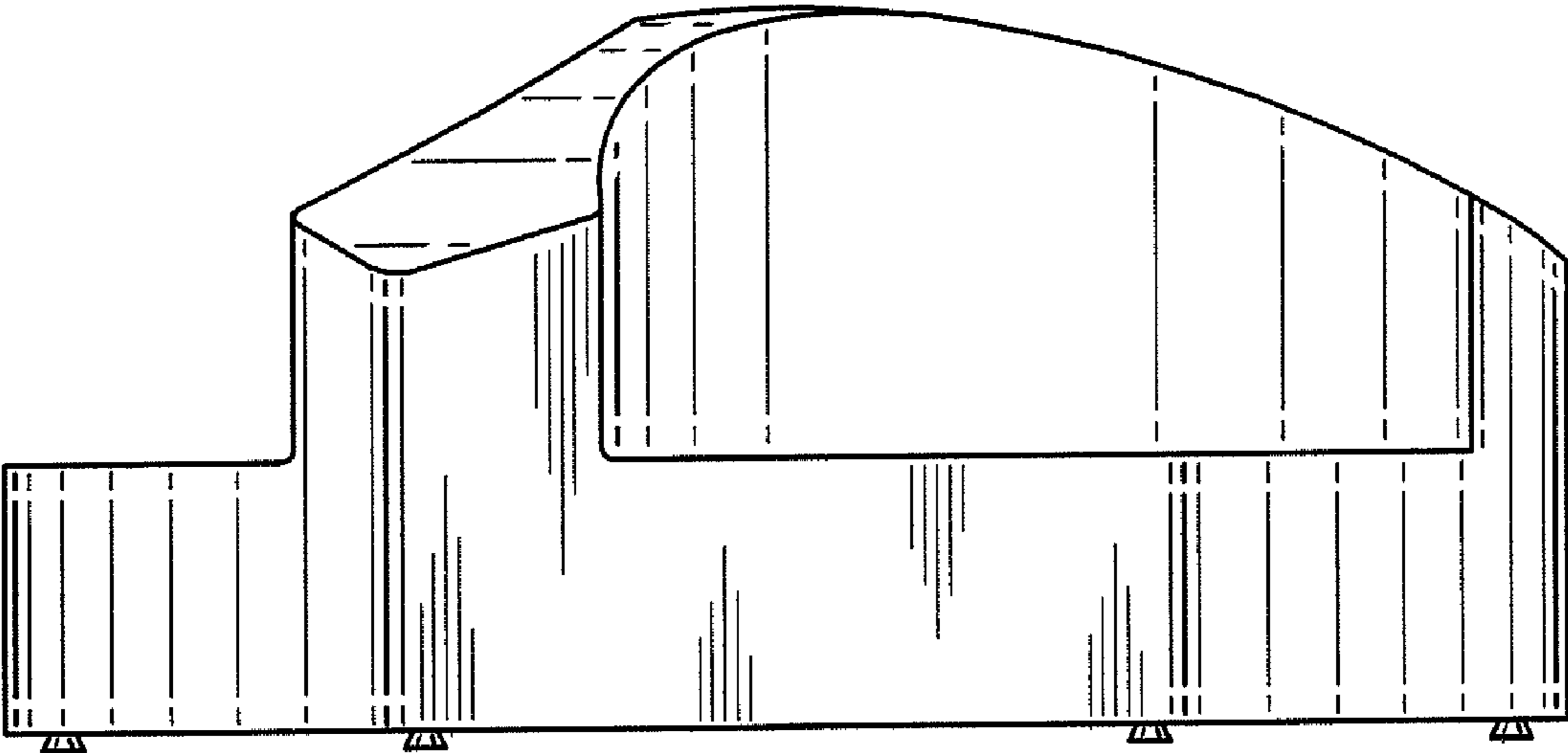


FIG. 3

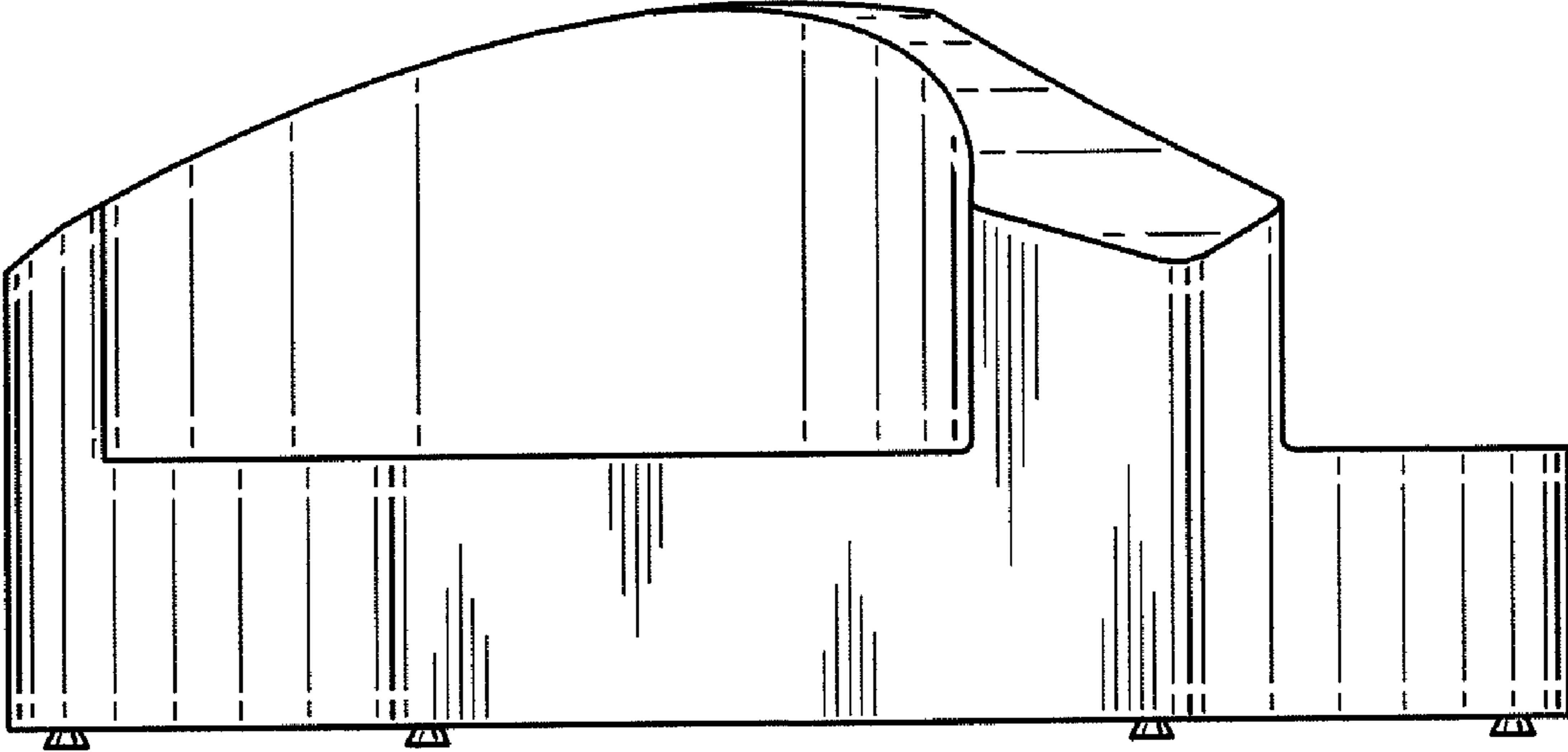


FIG. 4

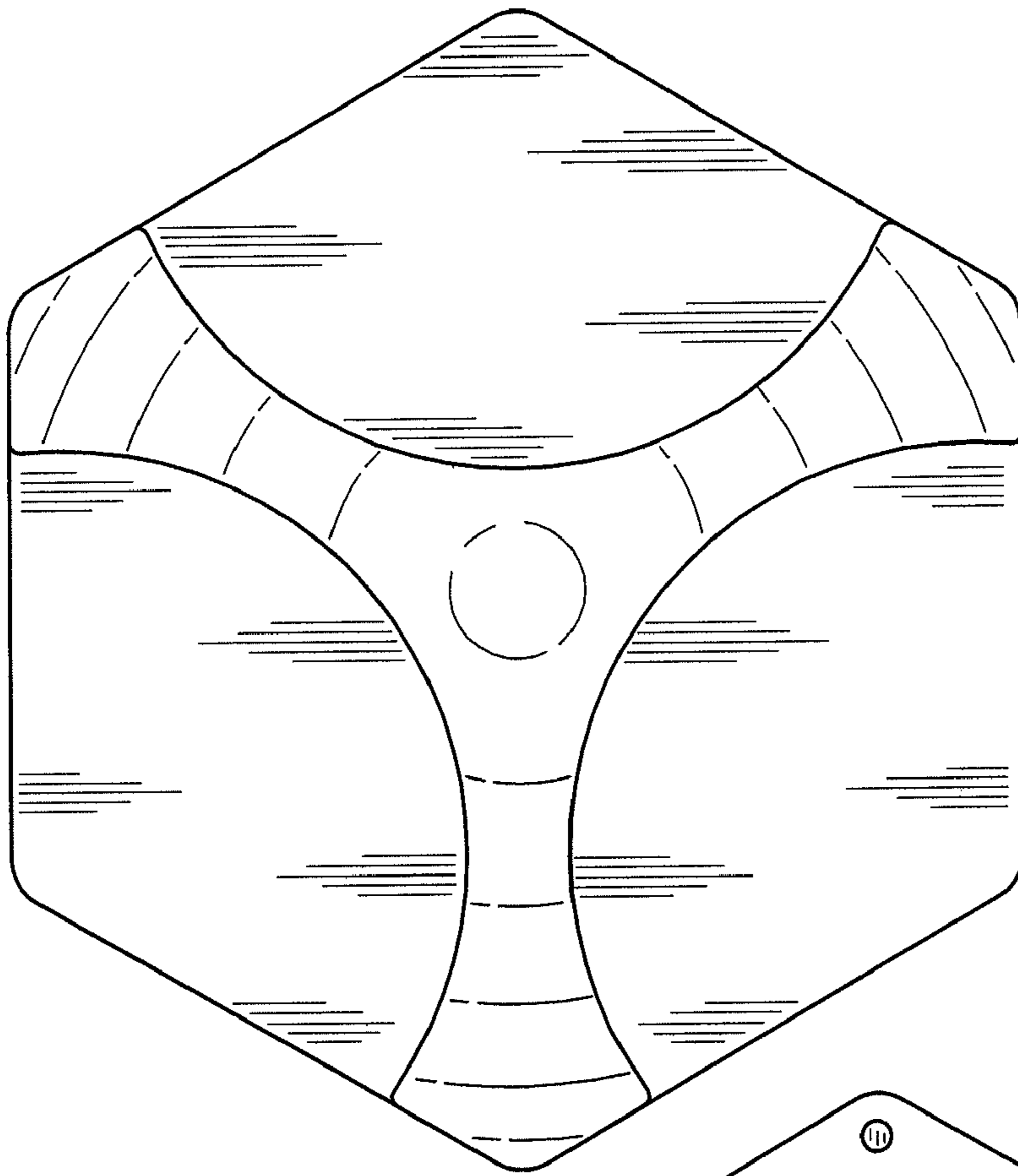


FIG. 5

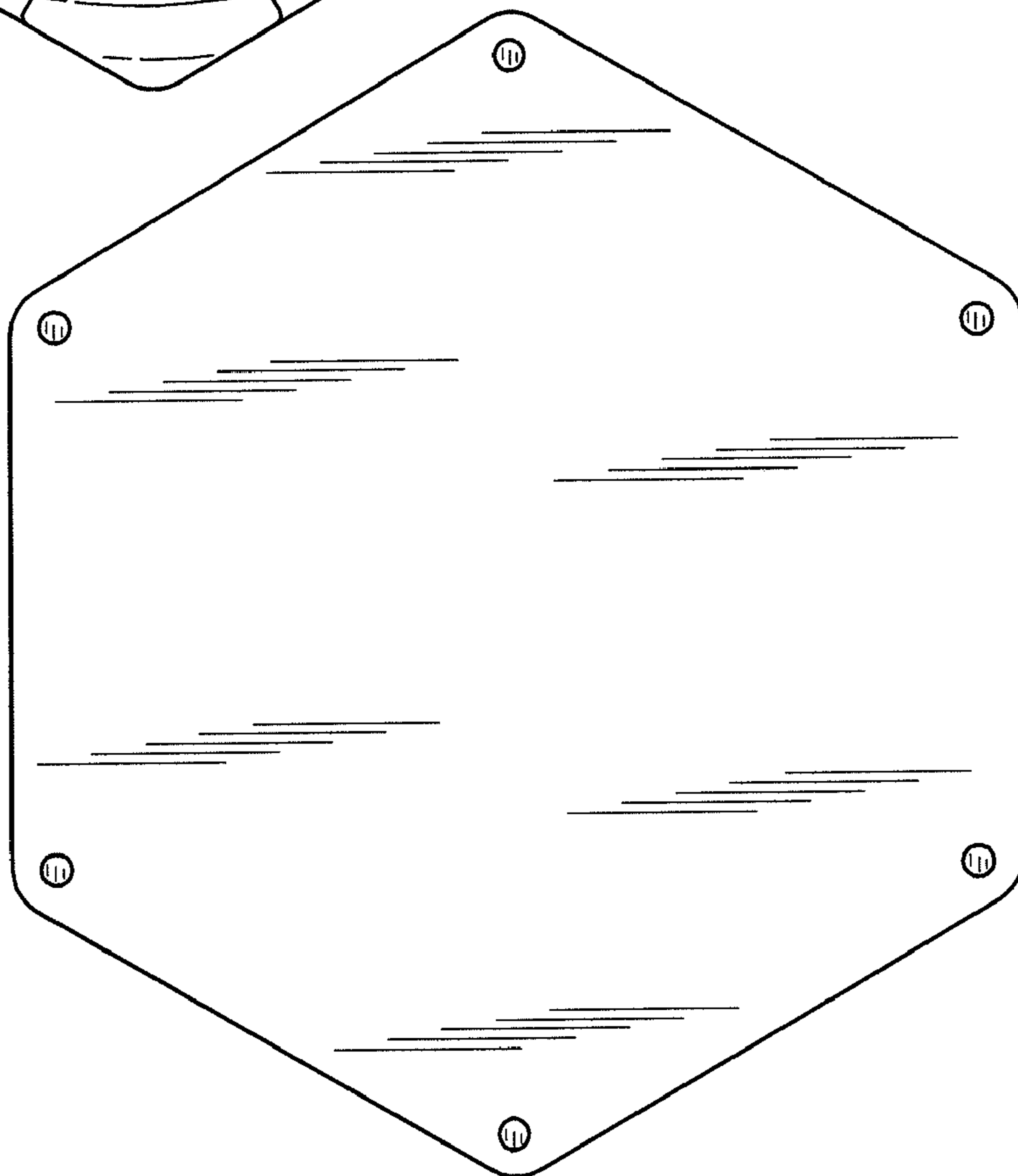


FIG. 6

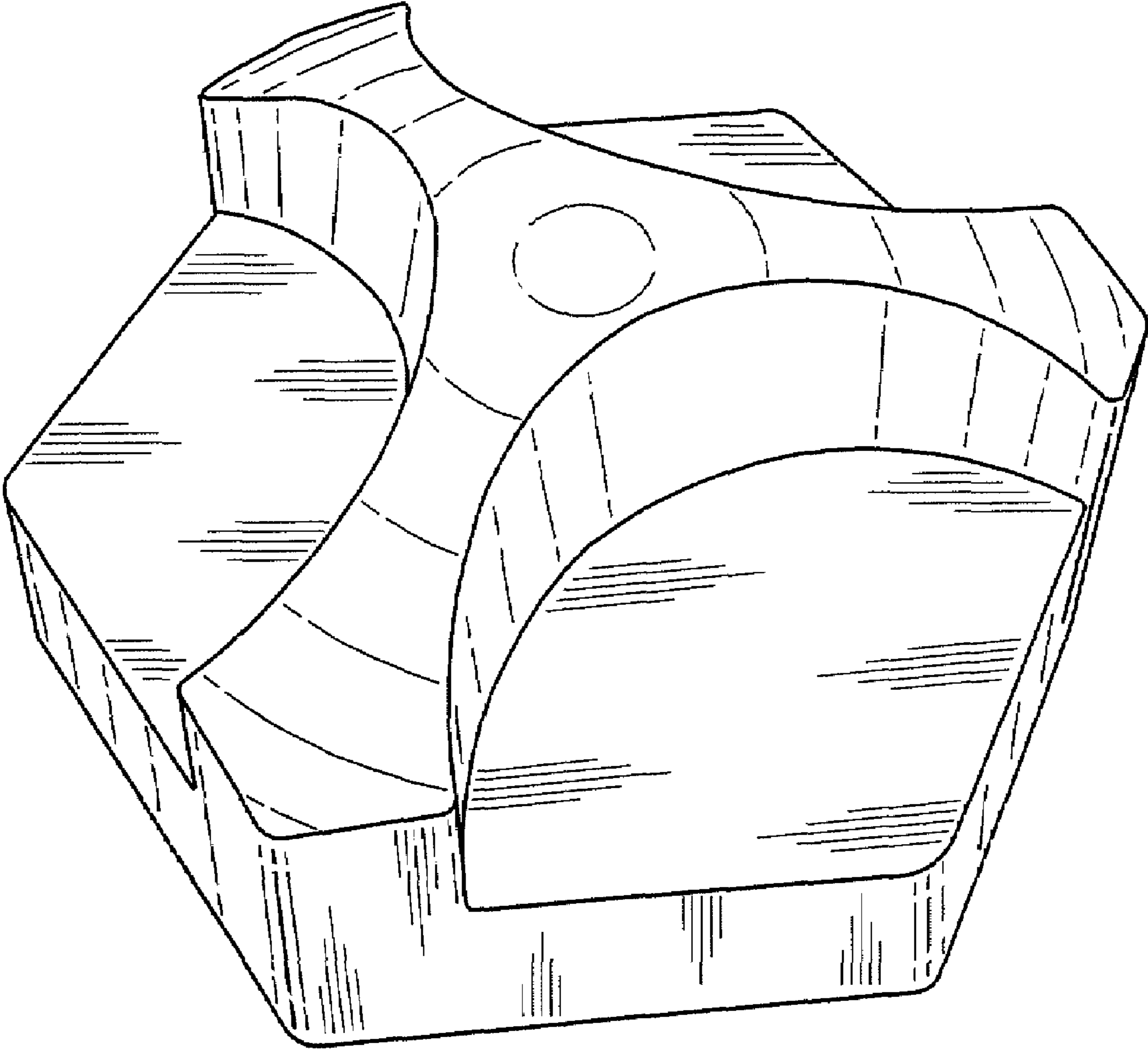


FIG. 7