



US00D609023S

(12) **United States Design Patent**  
**Yamanaka et al.**

(10) **Patent No.:** **US D609,023 S**

(45) **Date of Patent:** **\*\* Feb. 2, 2010**

(54) **CHAIR**

(75) Inventors: **Shunji Yamanaka**, Tokyo (JP); **Hisato Ogata**, Tokyo (JP); **Kousuke Tokui**, Osaka (JP)

(73) Assignee: **Kokuyo Co., Ltd.**, Osaka (JP)

(\*\*) Term: **14 Years**

(21) Appl. No.: **29/333,709**

(22) Filed: **Mar. 13, 2009**

(30) **Foreign Application Priority Data**

Oct. 17, 2008 (JP) ..... 2008-026780

(51) **LOC (9) Cl.** ..... **06-01**

(52) **U.S. Cl.** ..... **D6/366**

(58) **Field of Classification Search** ..... D6/334-336,  
D6/364, 365, 366, 367, 379, 500-502; 297/411.2,  
297/411.29, 452.21, 452.29, 452.35, 452.37,  
297/452.48

See application file for complete search history.

(56) **References Cited**

**U.S. PATENT DOCUMENTS**

D236,173	S	*	8/1975	Ruf	.....	D6/366
4,471,995	A	*	9/1984	Wisniewski	.....	297/411.2
D276,575	S	*	12/1984	Helmholdt	.....	D6/366
D276,576	S	*	12/1984	Helmholdt	.....	D6/366
D346,909	S	*	5/1994	Obata et al.	.....	D6/366
D348,571	S	*	7/1994	Obata et al.	.....	D6/366
D377,424	S	*	1/1997	Olson	.....	D6/366
D397,258	S	*	8/1998	Heyder et al.	.....	D6/366

D472,080	S	*	3/2003	Kita	.....	D6/500
D496,812	S	*	10/2004	Chu	.....	D6/500
D500,211	S	*	12/2004	Koch et al.	.....	D6/366
D525,057	S	*	7/2006	Koch et al.	.....	D6/501
D548,993	S	*	8/2007	Fancelli	.....	D6/366
D557,918	S	*	12/2007	Nakamura et al.	.....	D6/366
D571,569	S	*	6/2008	Fancelli	.....	D6/366
D575,960	S	*	9/2008	Su	.....	D6/366
2009/0152930	A1	*	6/2009	Diffrient	.....	297/452.48

\* cited by examiner

*Primary Examiner*—Mimosa De

(74) *Attorney, Agent, or Firm*—Dennis R. Haszko

(57) **CLAIM**

The ornamental design for a chair, as shown and described.

**DESCRIPTION**

FIG. 1 is a front perspective view of a chair showing our new design;

FIG. 2 is a rear perspective view thereof;

FIG. 3 is a front view thereof;

FIG. 4 is a rear view thereof;

FIG. 5 is a top view thereof;

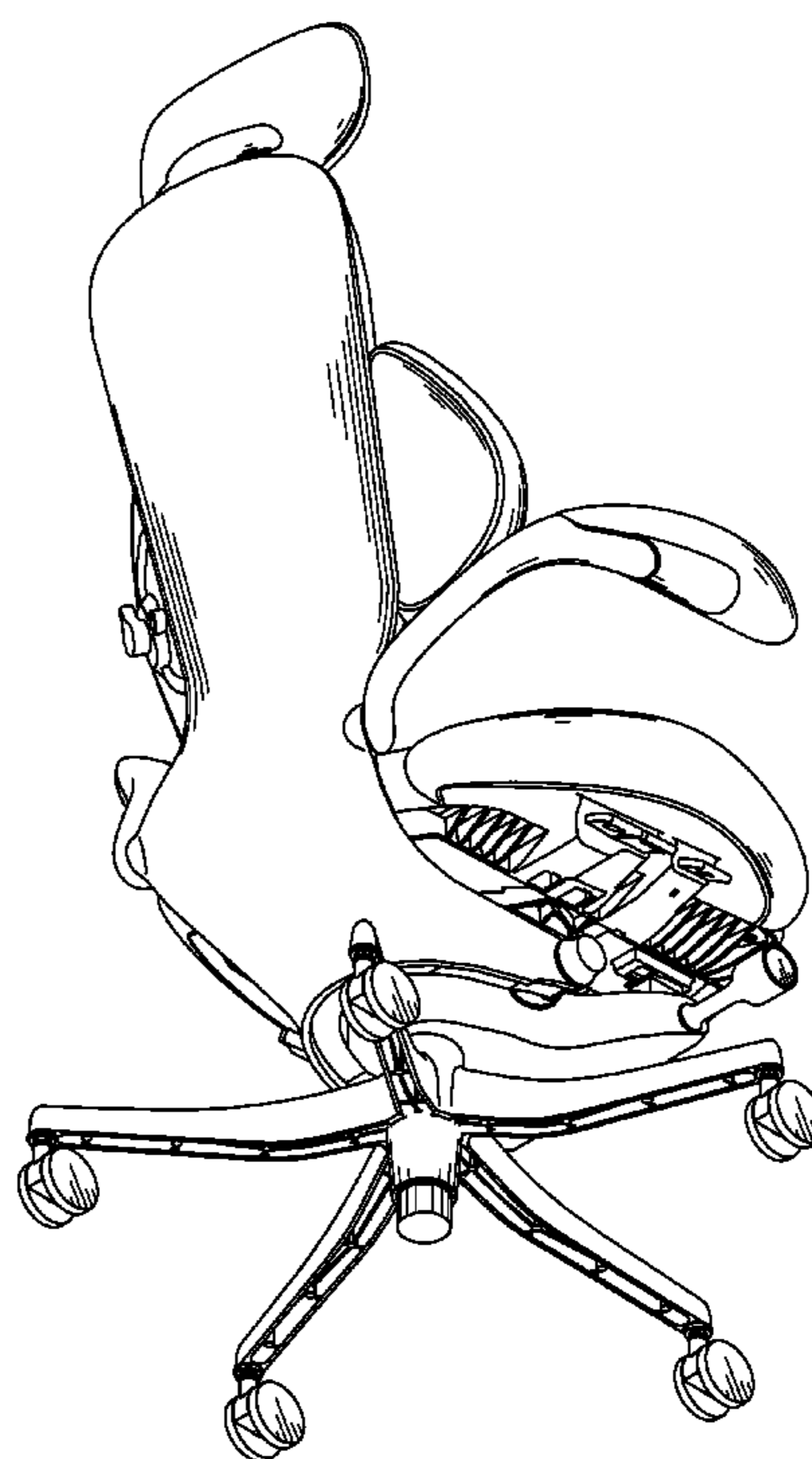
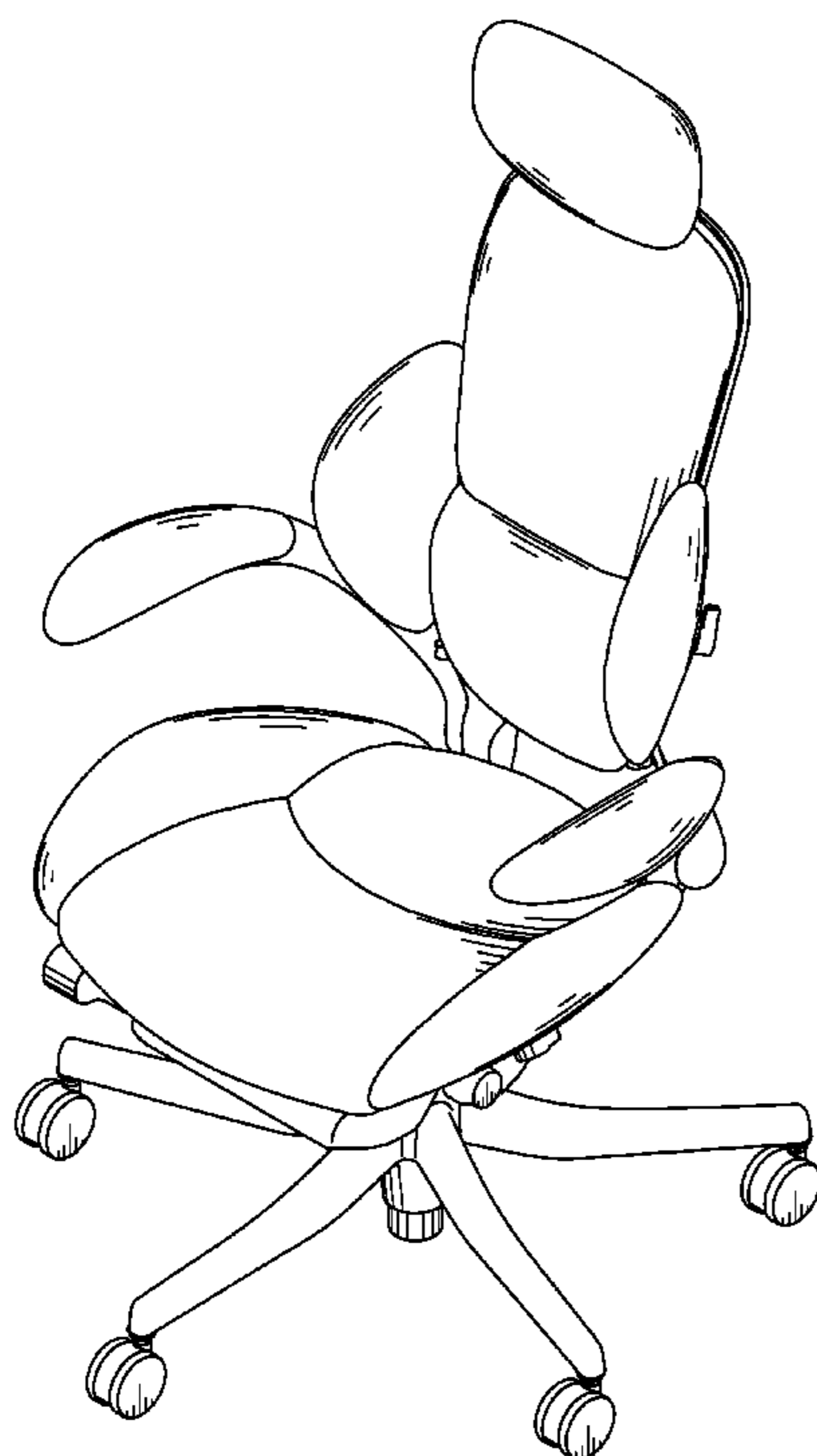
FIG. 6 is a bottom view thereof;

FIG. 7 is a right side view thereof;

FIG. 8 is a left side view thereof; and,

FIG. 9 is an enlarged sectional view thereof taken along section line A—A in FIG. 3, in which a portion of the chair is not shown in order to provide the enlarged view.

**1 Claim, 9 Drawing Sheets**



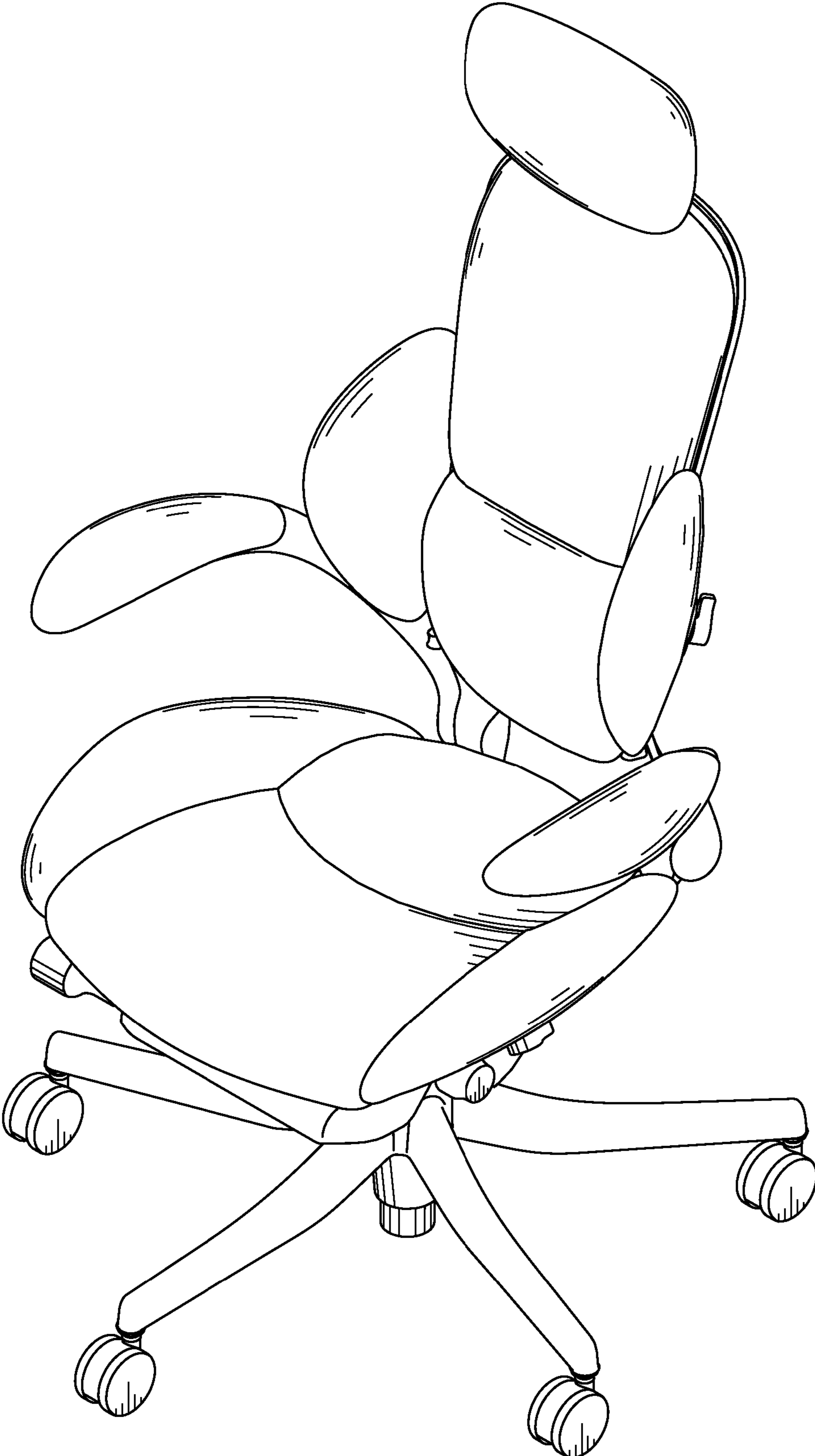


FIG.1

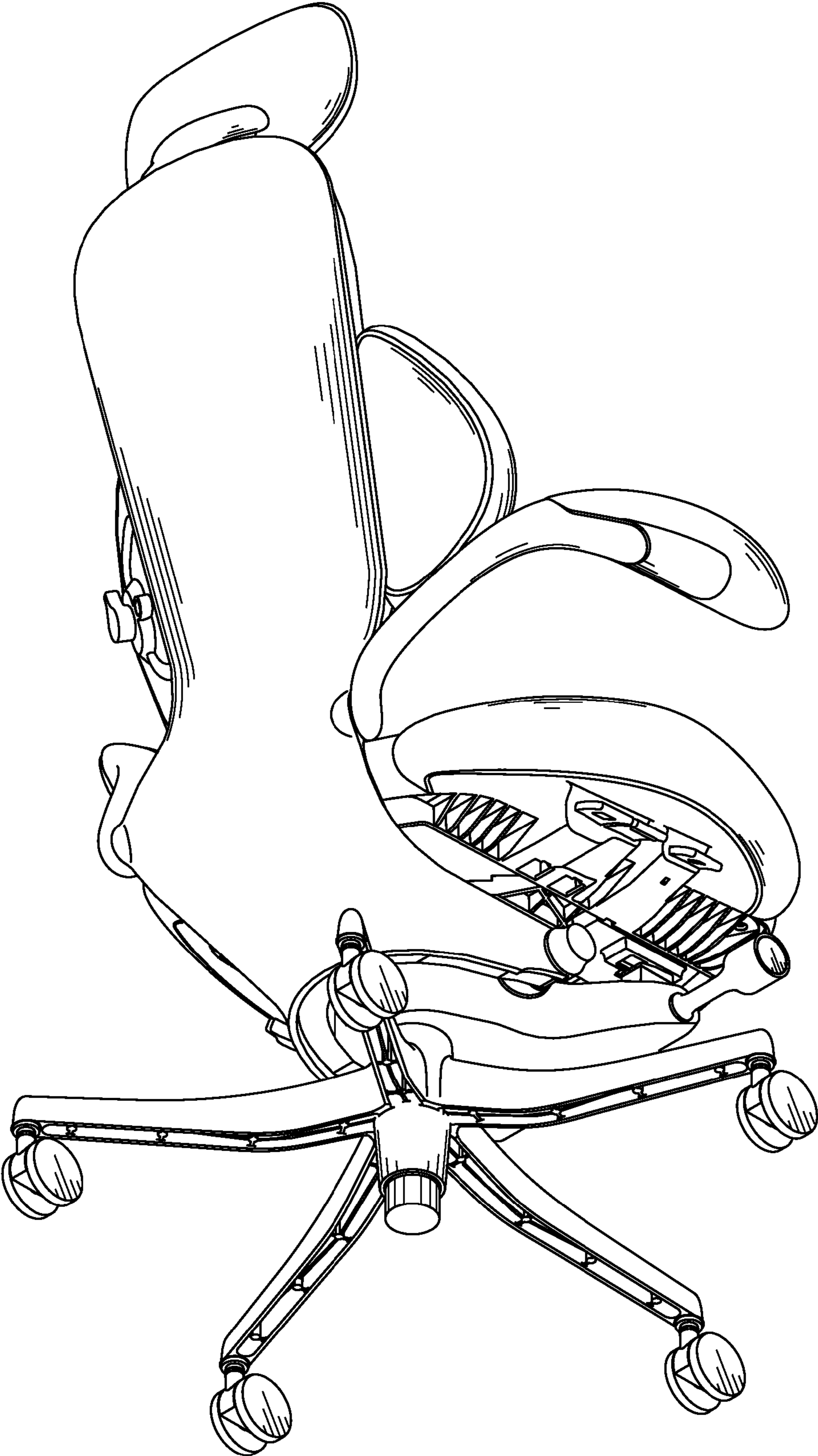
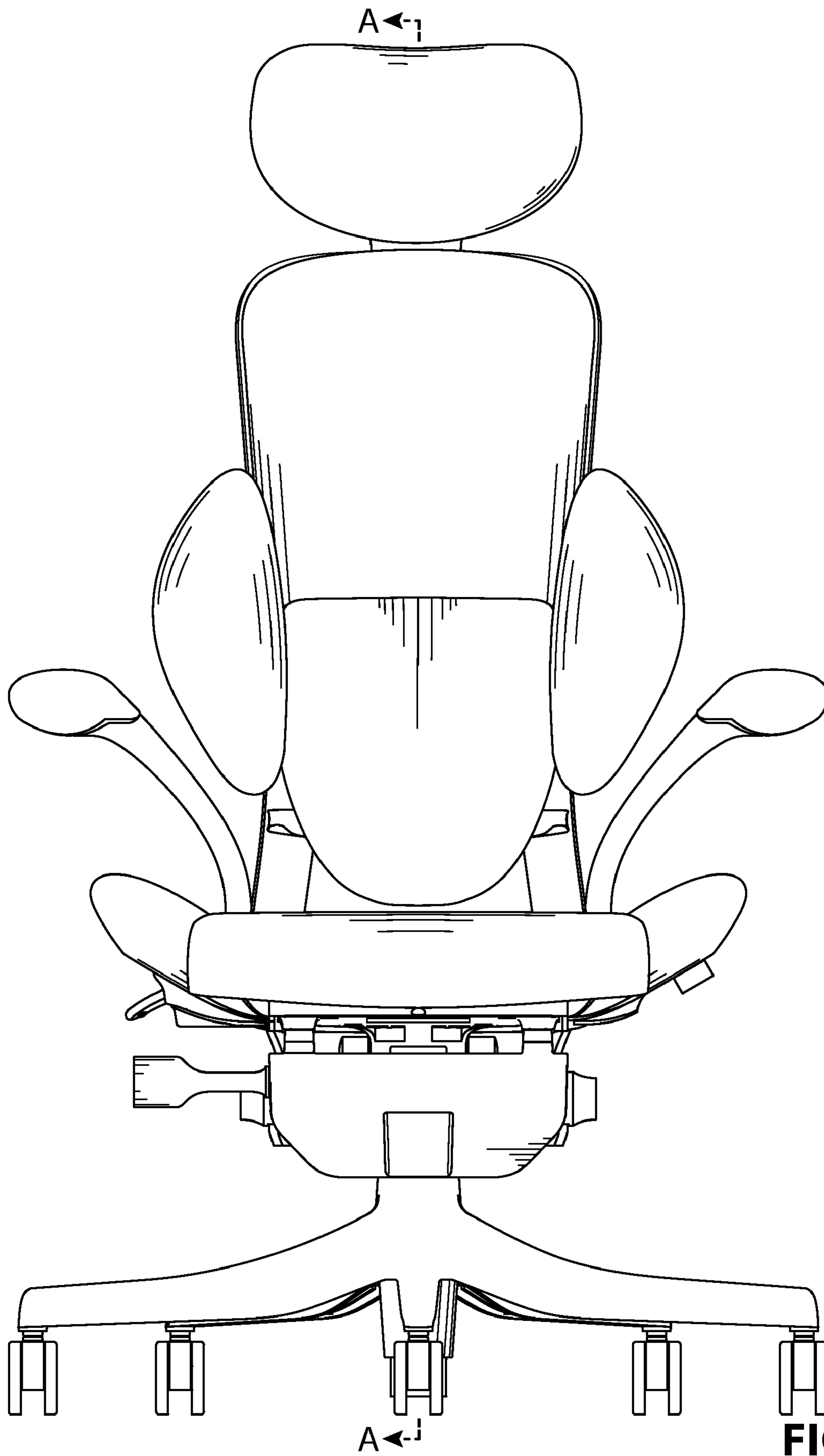
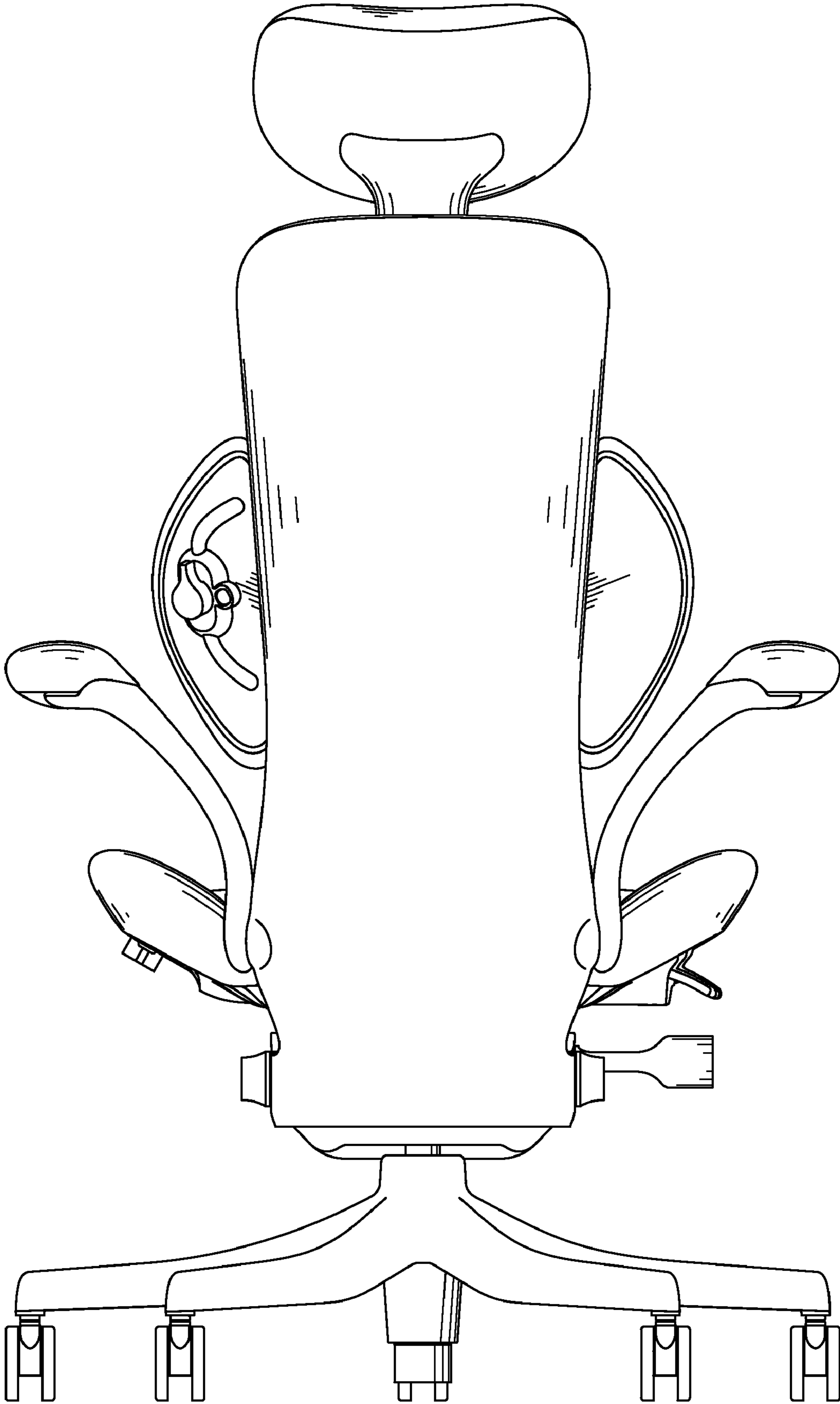


FIG.2



**FIG.3**





**FIG.4**

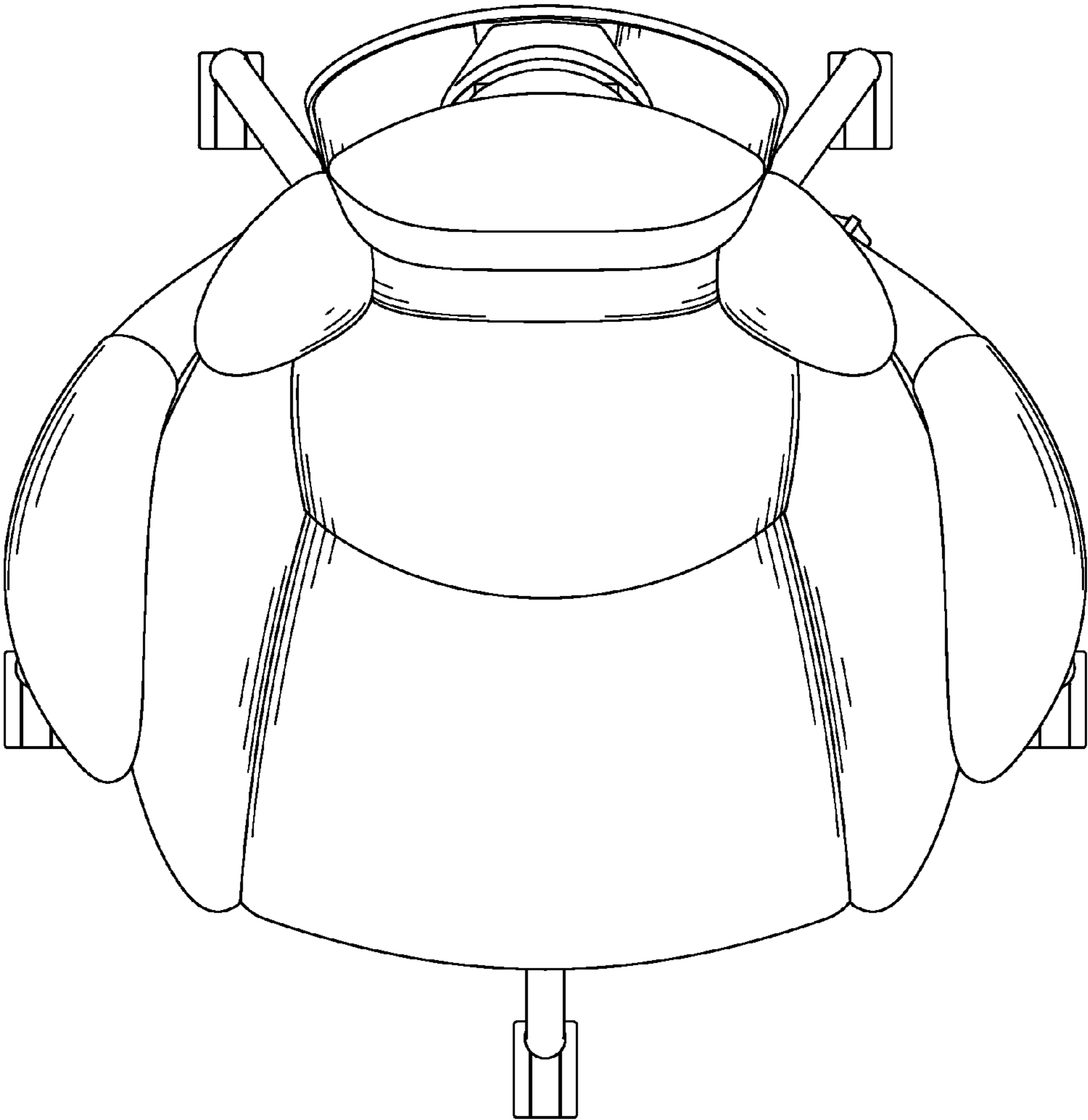


FIG.5

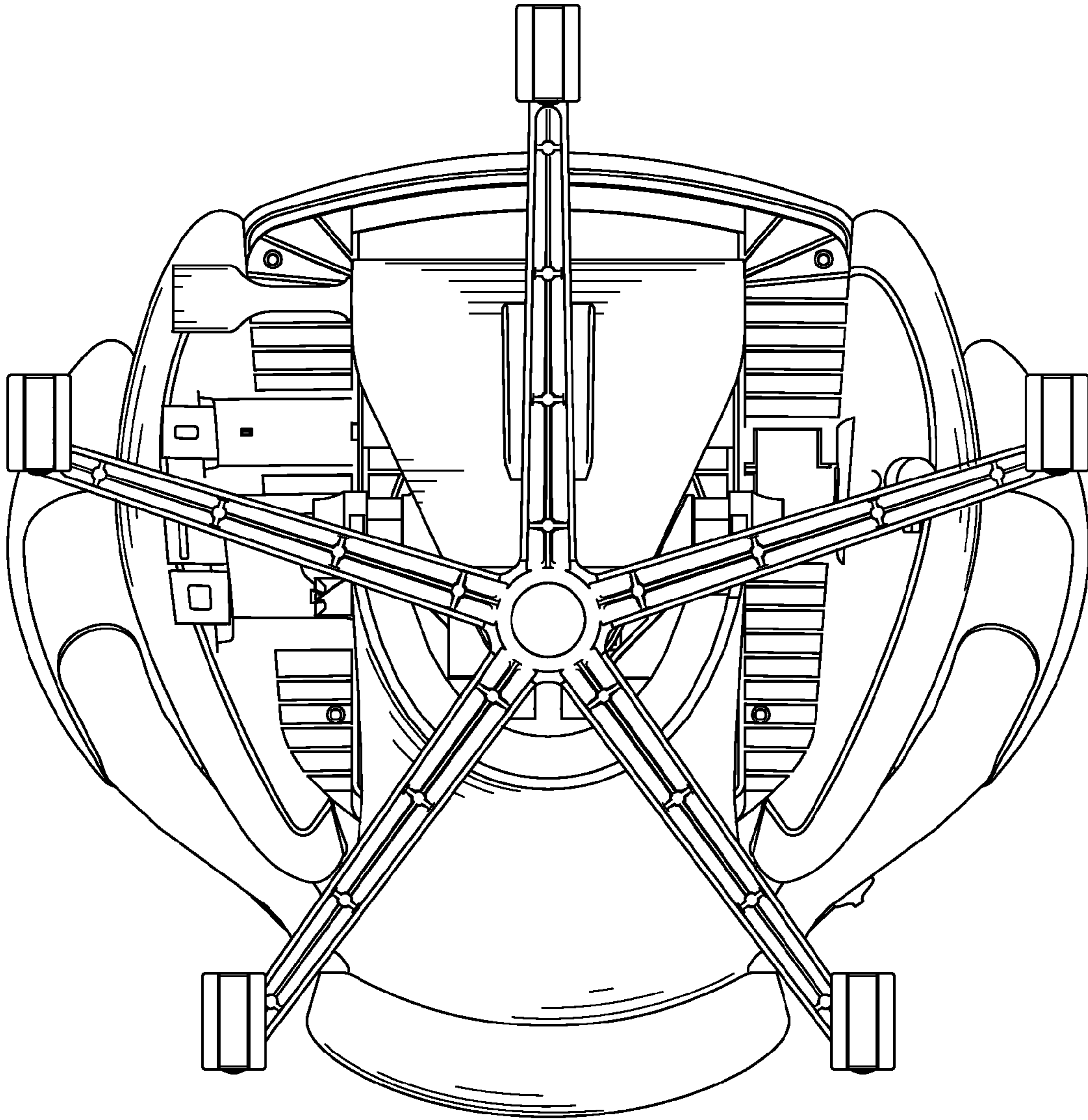
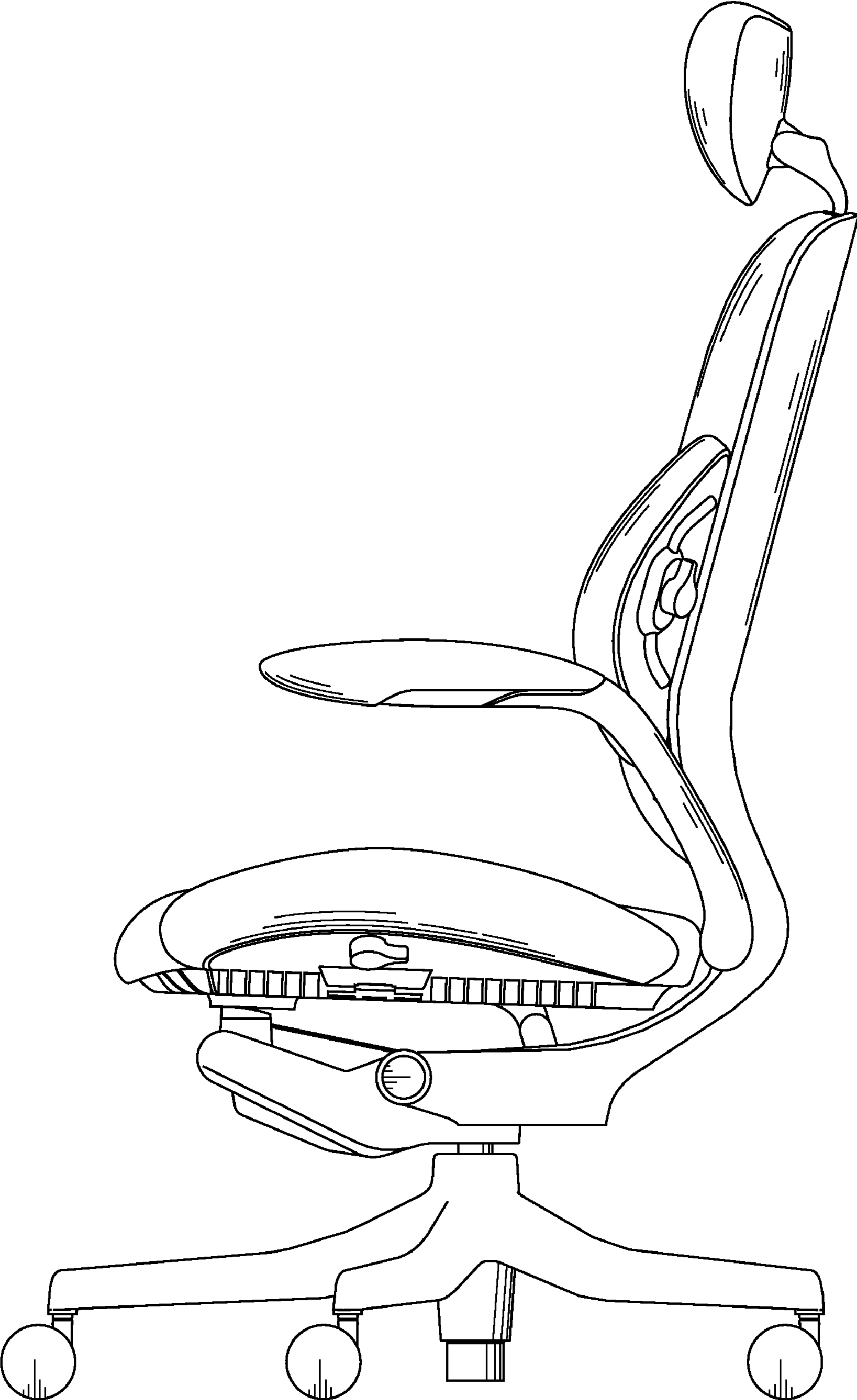
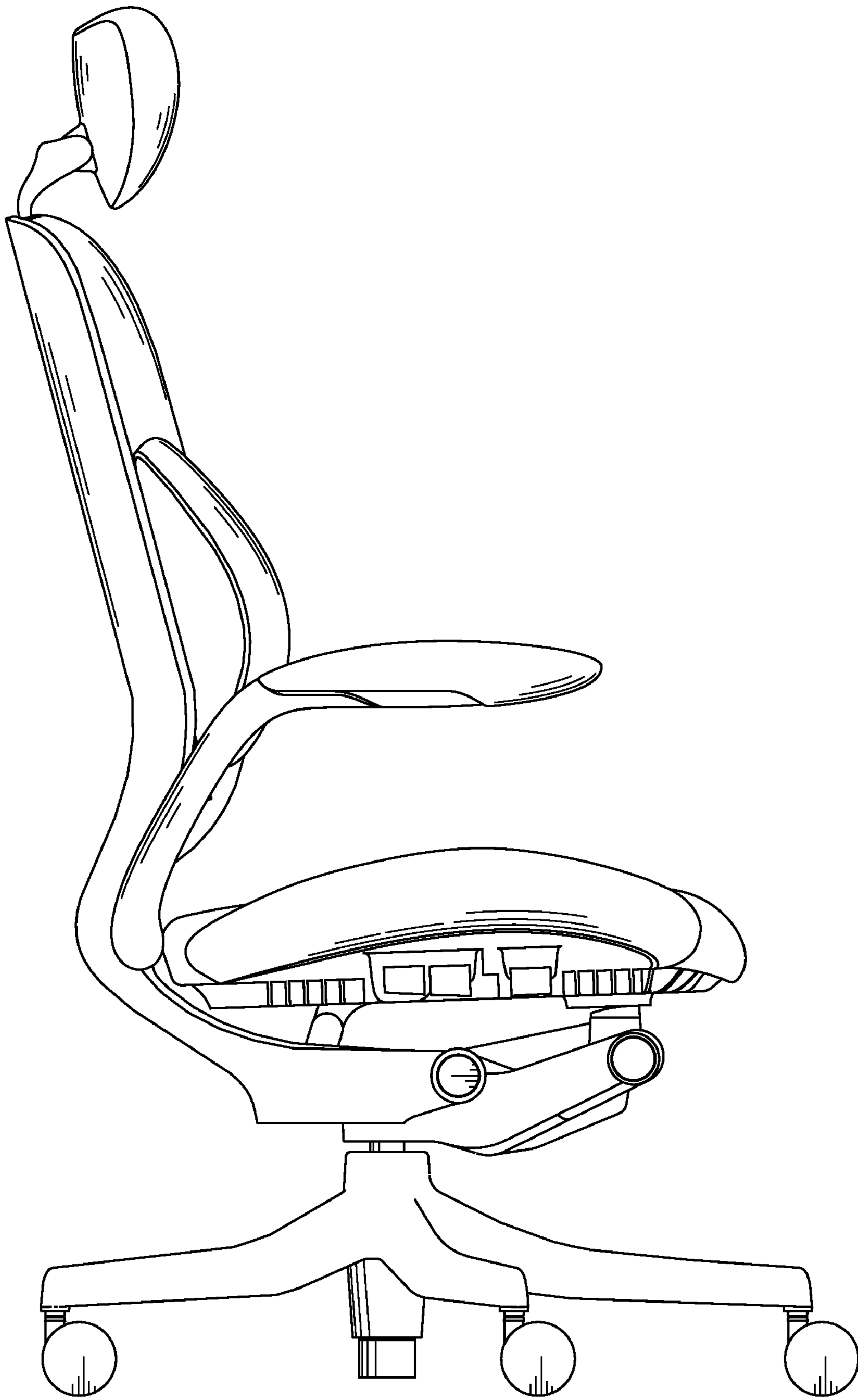


FIG.6



**FIG.7**





**FIG.8**

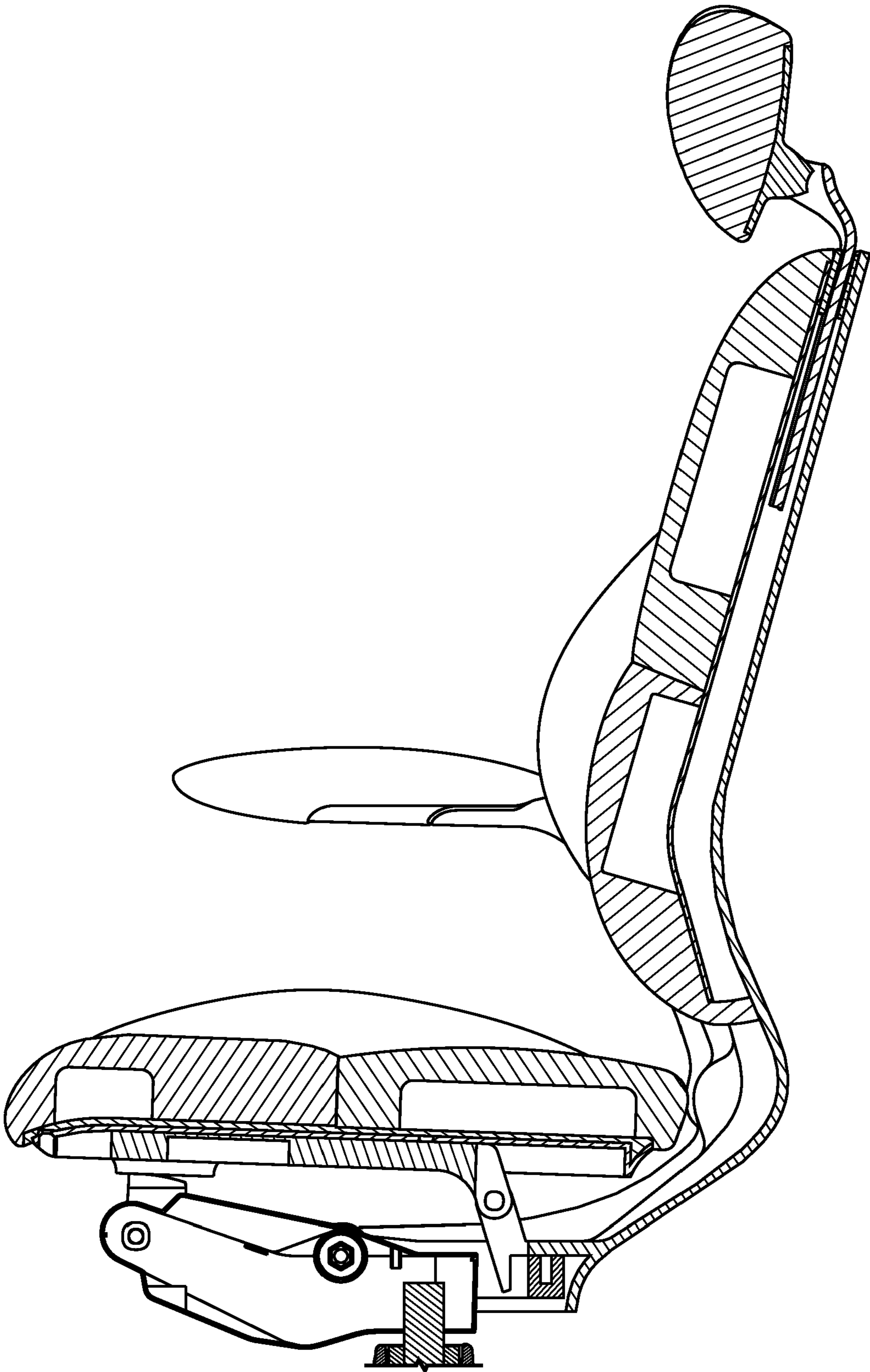


FIG.9