



US00D609019S

(12) **United States Design Patent**
Zhang et al.

(10) **Patent No.:** **US D609,019 S**
(45) **Date of Patent:** **** Feb. 2, 2010**

(54) **DIGITAL PHOTO FRAME**

(75) Inventors: **Ding-Ding Zhang**, Shenzhen (CN);
Chiang-Kuo Tang, Taipei Hsien (TW);
Yu-Hao Chyan, Taipei Hsien (TW);
Shi-Bo Cai, Shenzhen (CN)

(73) Assignee: **Hon Hai Precision Industry Co., Ltd.**,
Tu-Cheng, Taipei Hsien (TW)

(**) Term: **14 Years**

(21) Appl. No.: **29/337,541**

(22) Filed: **May 25, 2009**

(30) **Foreign Application Priority Data**

Jan. 6, 2009 (CN) 2009 3 0300019

(51) **LOC (9) Cl.** **06-07**

(52) **U.S. Cl.** **D6/308; D14/371**

(58) **Field of Classification Search** D6/300,
D6/308, 310, 311; 40/721, 700, 768, 717,
40/714; D14/371, 372, 448, 449, 450, 375,
D14/374, 381, 382, 336, 337; D10/15, 24,
D10/75, 2; D19/26

See application file for complete search history.

(56) **References Cited**

U.S. PATENT DOCUMENTS

D572,025 S * 7/2008 Kwon D6/308

D583,572 S * 12/2008 Zhai et al. D6/308
D591,518 S * 5/2009 Zhai et al. D6/308
D600,456 S * 9/2009 Son D6/308

* cited by examiner

Primary Examiner—Janice E Seeger

Assistant Examiner—Sydney R Buffalow

(74) *Attorney, Agent, or Firm*—Zhigang Ma

(57) **CLAIM**

The ornamental design for a digital photo frame, as shown and described.

DESCRIPTION

FIG. 1 is a perspective view of the design for a digital photo frame;

FIG. 2 is a front elevational view thereof;

FIG. 3 is a rear elevational view thereof;

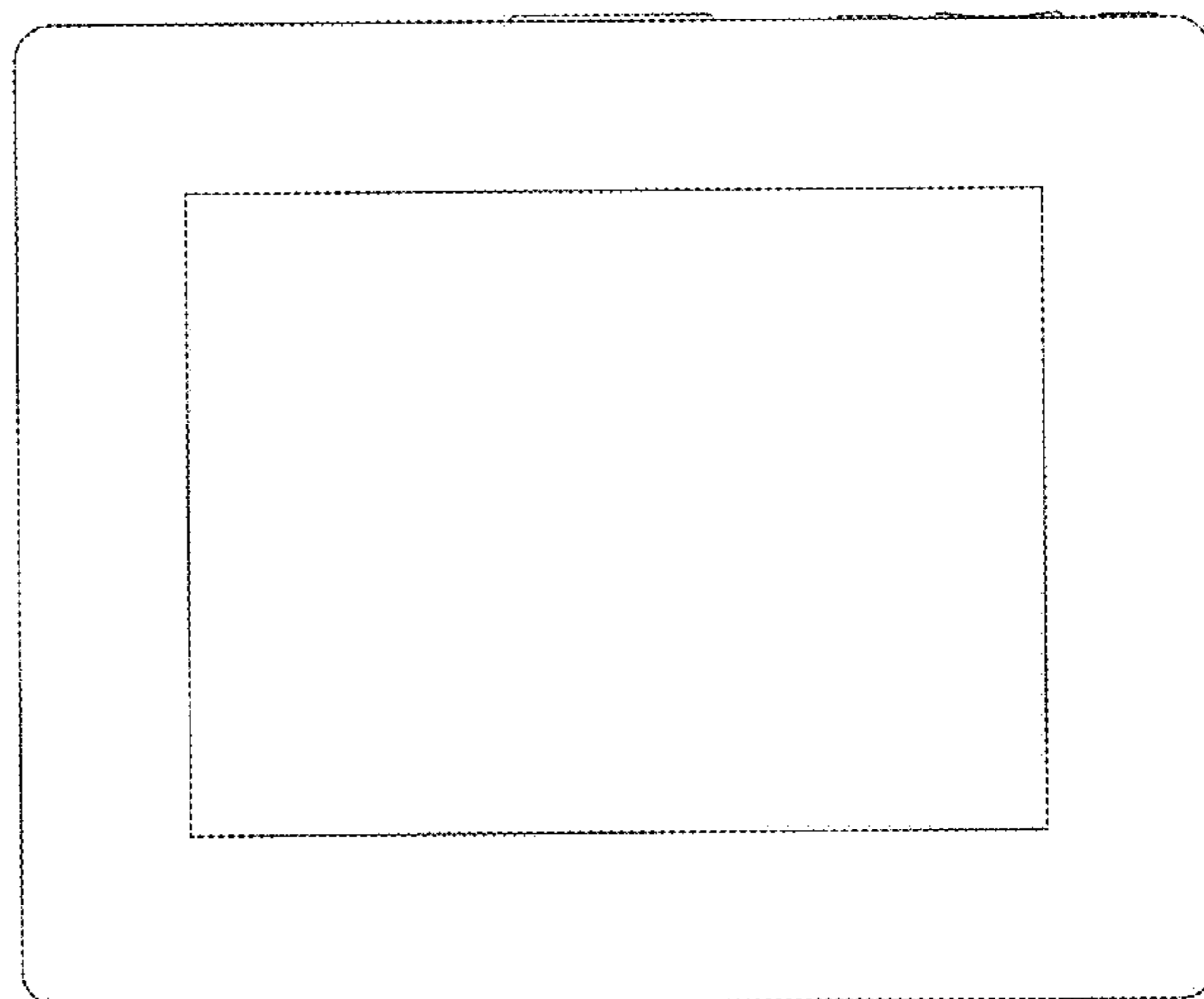
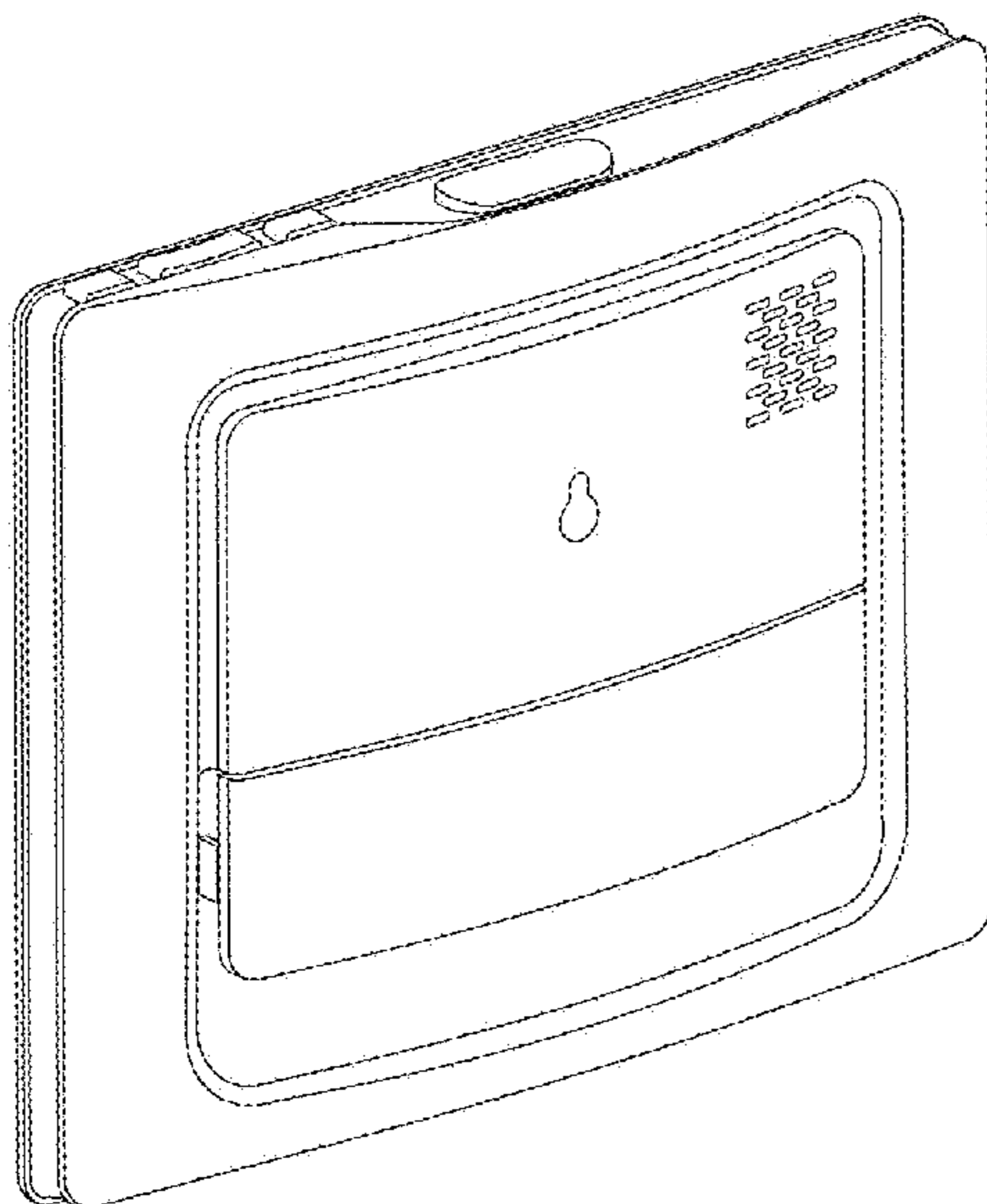
FIG. 4 is a top plan view thereof;

FIG. 5 is a bottom plan view thereof;

FIG. 6 is a left side view thereof; and,

FIG. 7 is a right side view thereof.

1 Claim, 7 Drawing Sheets



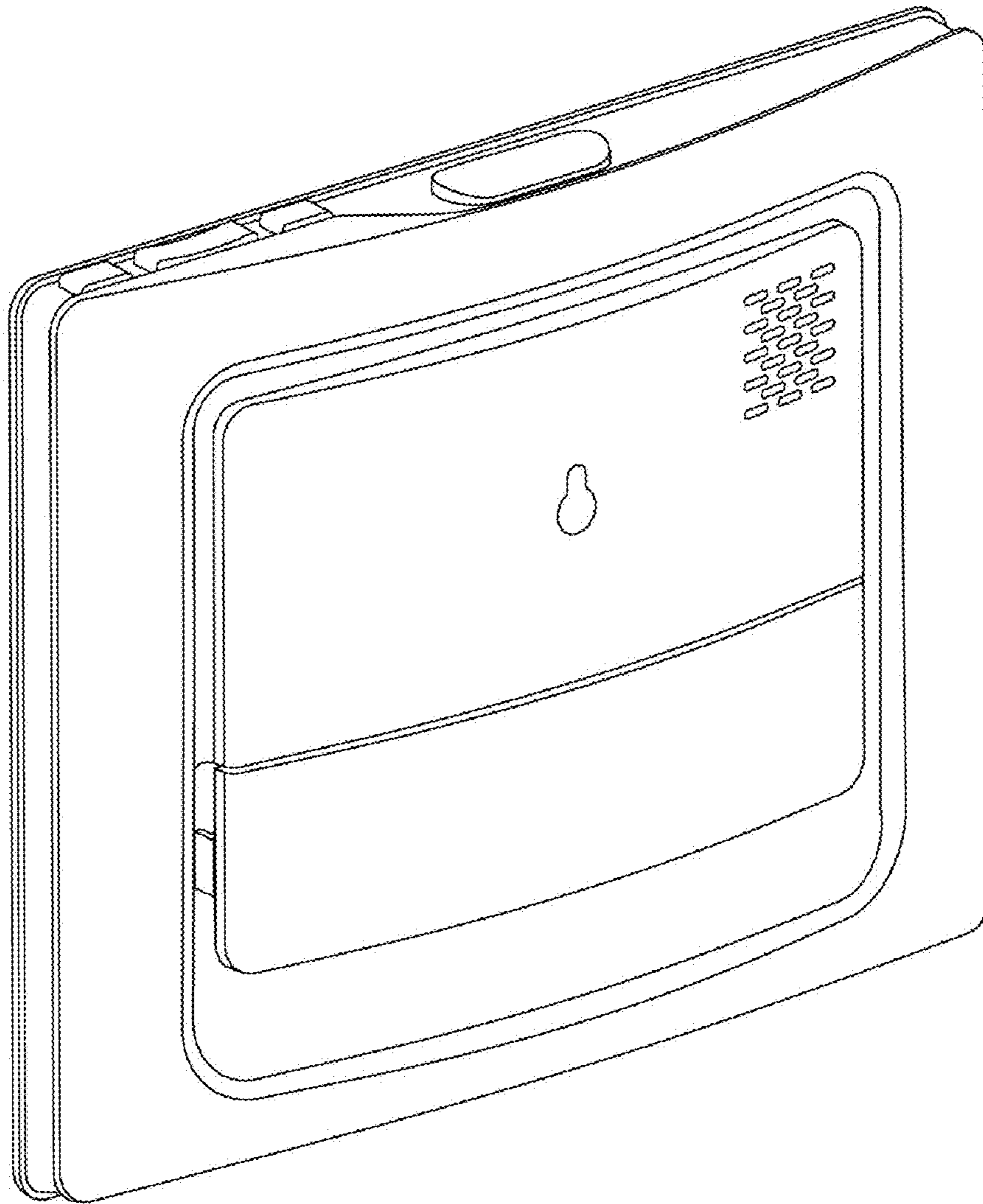


FIG. 1

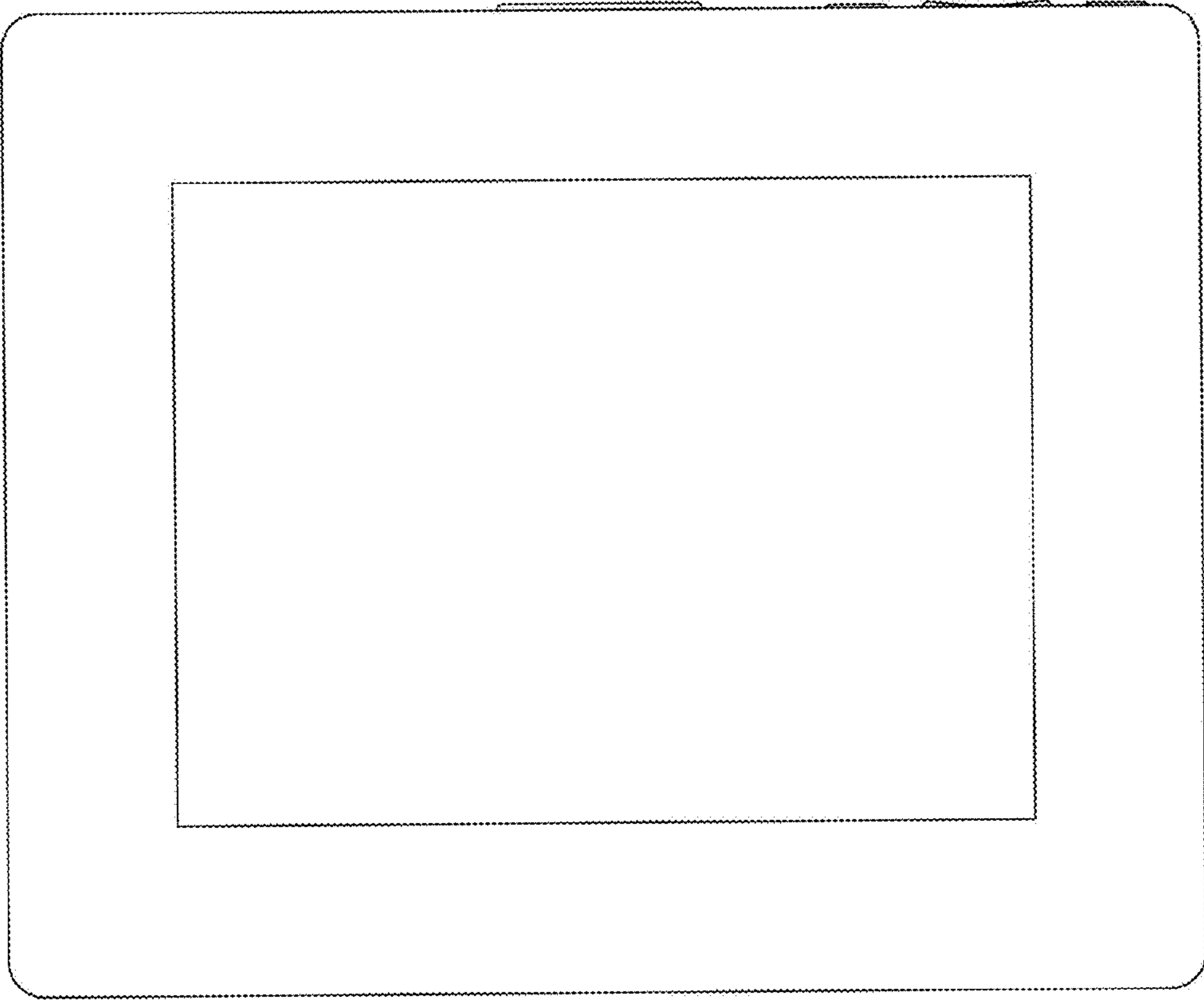


FIG. 2

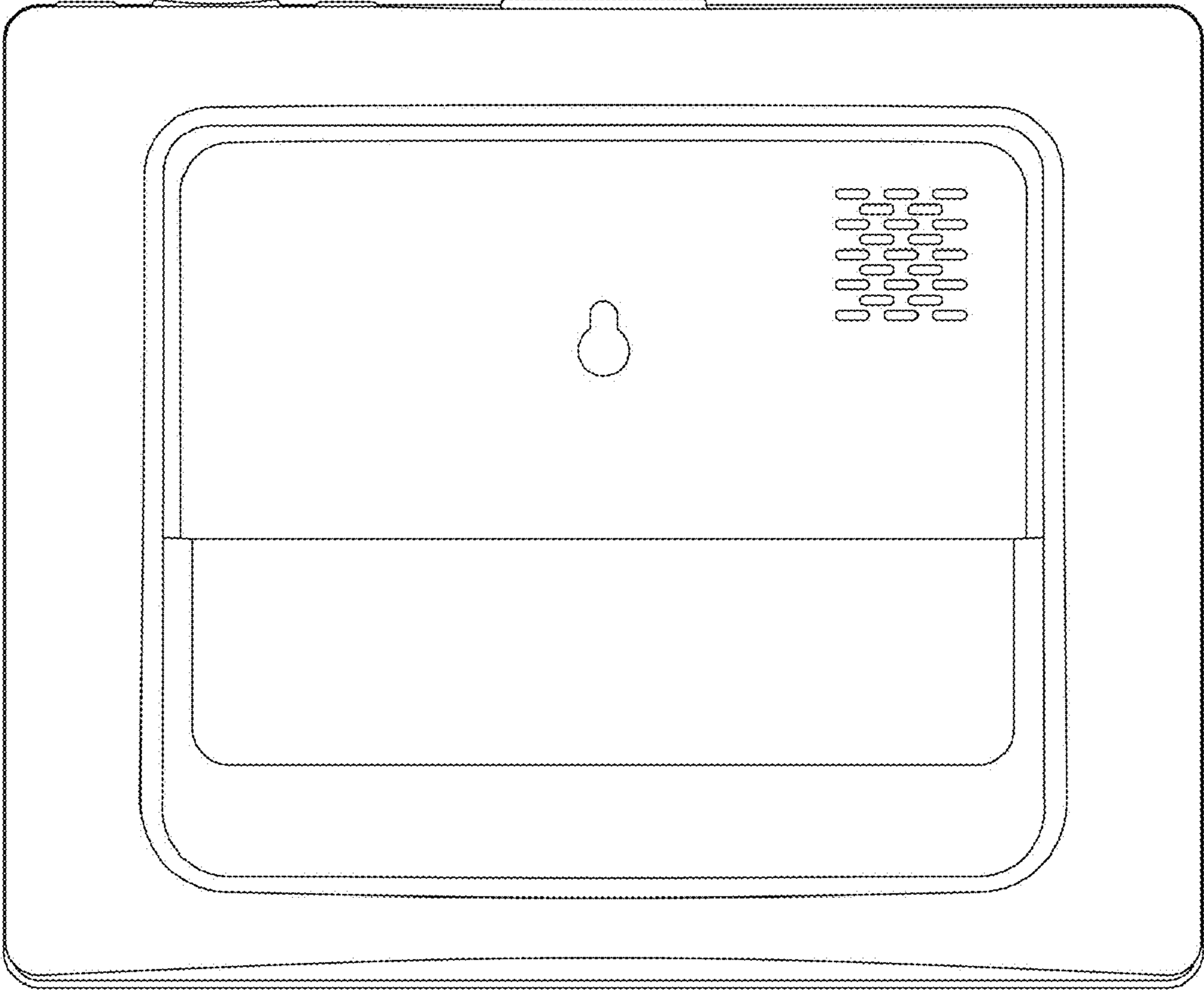


FIG. 3

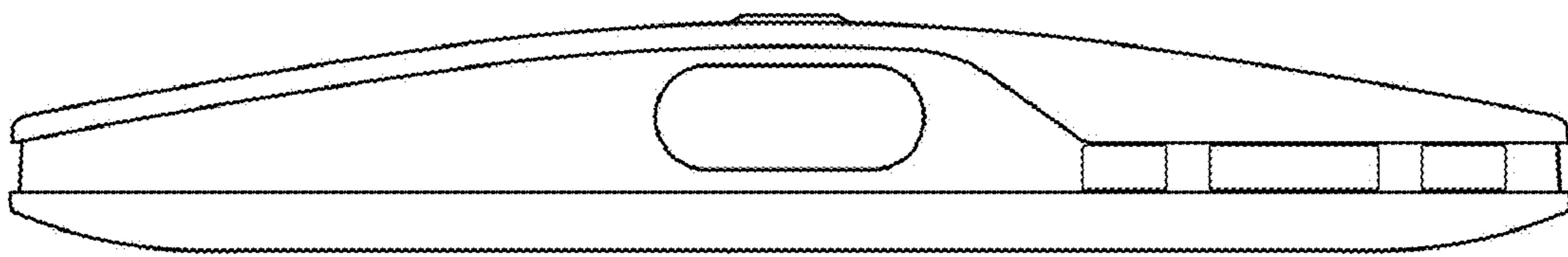


FIG. 4

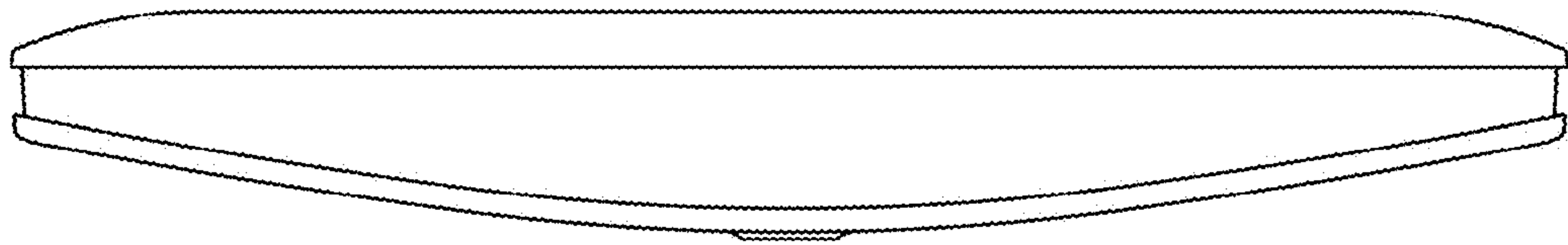


FIG. 5

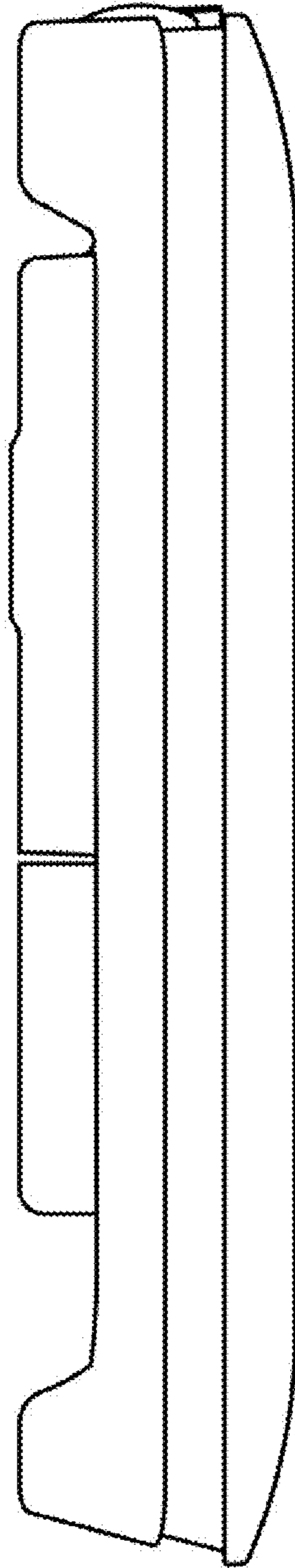


FIG. 6

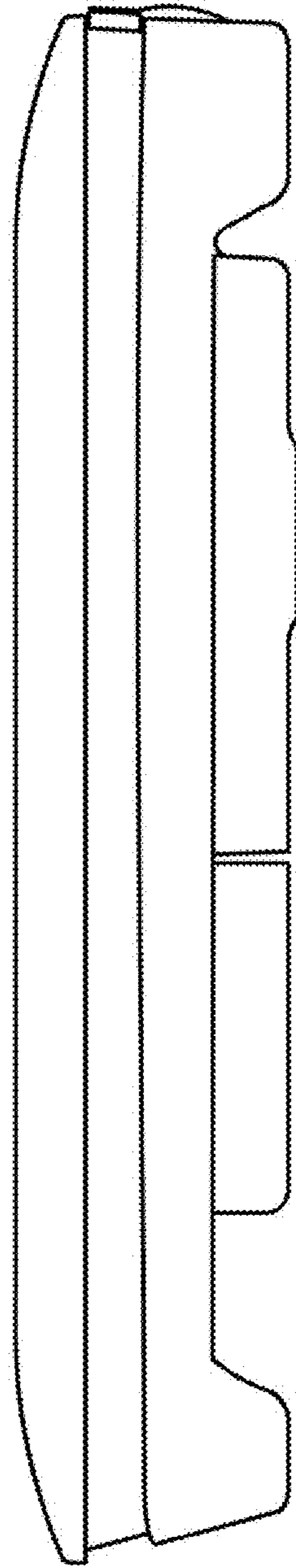


FIG. 7