

US00D609018S

(12) **United States Design Patent**  
**Tzeng et al.**

(10) **Patent No.:** **US D609,018 S**

(45) **Date of Patent:** **\*\* Feb. 2, 2010**

(54) **DIGITAL PHOTO FRAME**

(75) Inventors: **Guan Hua Tzeng**, Tu-Cheng (TW);  
**Kun Wei Tsai**, Tu-Cheng (TW)

(73) Assignee: **Cheng Uei Precision Industry Co., Ltd.**, Taipei Hsien (TW)

(\*\*) Term: **14 Years**

(21) Appl. No.: **29/311,371**

(22) Filed: **Mar. 3, 2009**

(51) **LOC (9) Cl.** ..... **06-07**

(52) **U.S. Cl.** ..... **D6/308; D14/371; D6/310**

(58) **Field of Classification Search** ..... D6/300,  
D6/308, 310, 311; 40/721, 700, 768, 717,  
40/714; D14/371, 372, 374, 448, 449, 450,  
D14/375, 381, 382, 336, 337; D10/15, 24,  
D10/75, 2; D19/26

See application file for complete search history.

(56) **References Cited**

**U.S. PATENT DOCUMENTS**

- D560,371 S \* 1/2008 Liu et al. .... D6/308
- D570,610 S \* 6/2008 Chuang ..... D6/300
- D572,023 S \* 7/2008 Park ..... D6/300
- D572,025 S \* 7/2008 Kwon ..... D6/308
- D583,572 S \* 12/2008 Zhai et al. .... D6/308

- D591,518 S \* 5/2009 Zhai et al. .... D6/308
- D596,173 S \* 7/2009 Arfin ..... D14/307

\* cited by examiner

*Primary Examiner*—Caron Veynar

*Assistant Examiner*—Sydney R Buffalow

(74) *Attorney, Agent, or Firm*—Rosenberg, Klein & Lee

(57) **CLAIM**

The ornamental design for a digital photo frame, as shown and described.

**DESCRIPTION**

FIG. 1 is a perspective view of a digital photo frame showing our new design;

FIG. 2 is a front elevational view thereof;

FIG. 3 is a rear elevational view thereof;

FIG. 4 is a left side elevational view thereof;

FIG. 5 is a right side elevational view thereof;

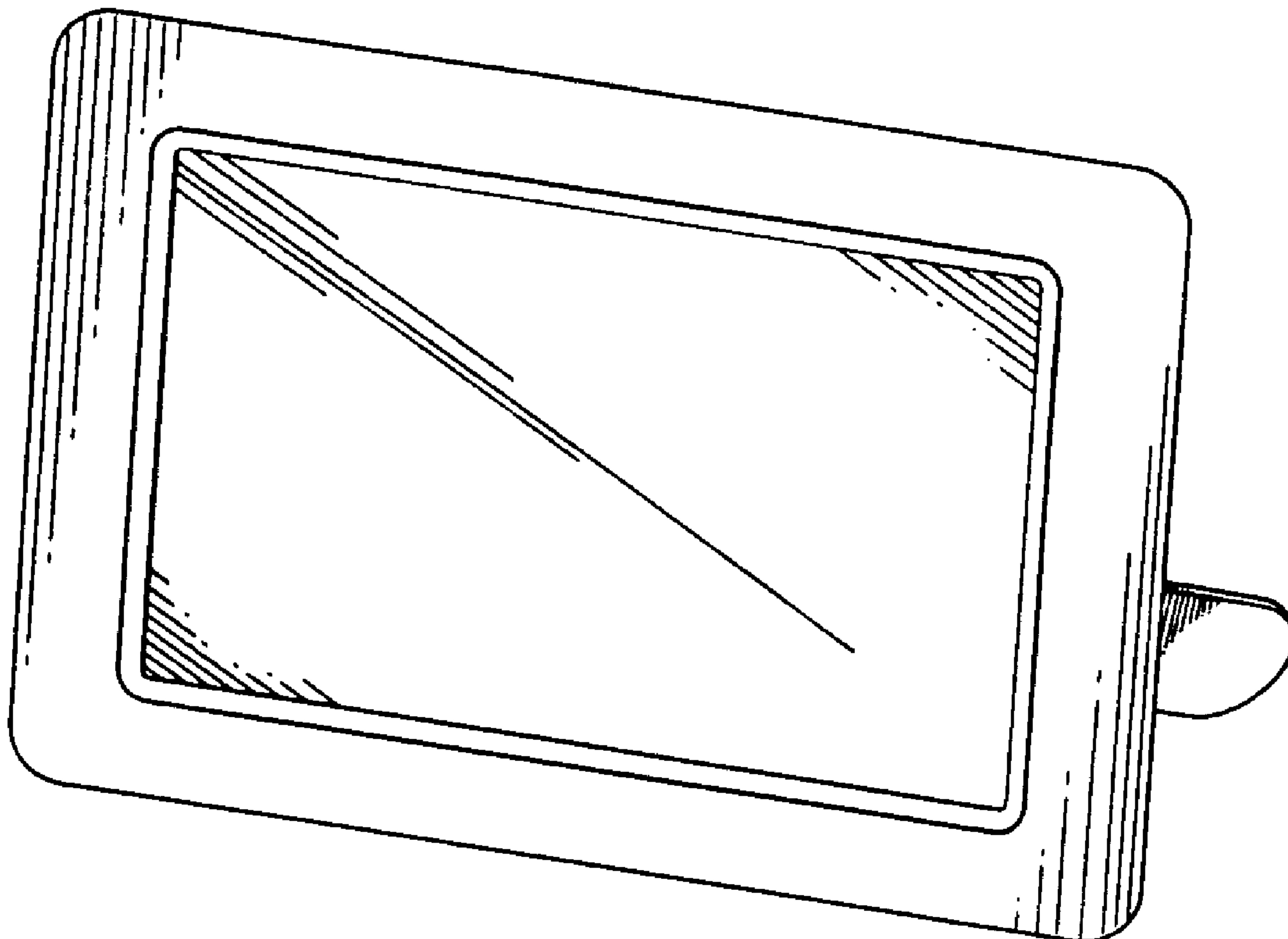
FIG. 6 is a top plan view thereof;

FIG. 7 is a bottom plan view thereof; and,

FIG. 8 is another perspective view of the digital photo frame showing our new design.

The broken lines are for the illustrative purposes only and form no part of the claimed design.

**1 Claim, 8 Drawing Sheets**



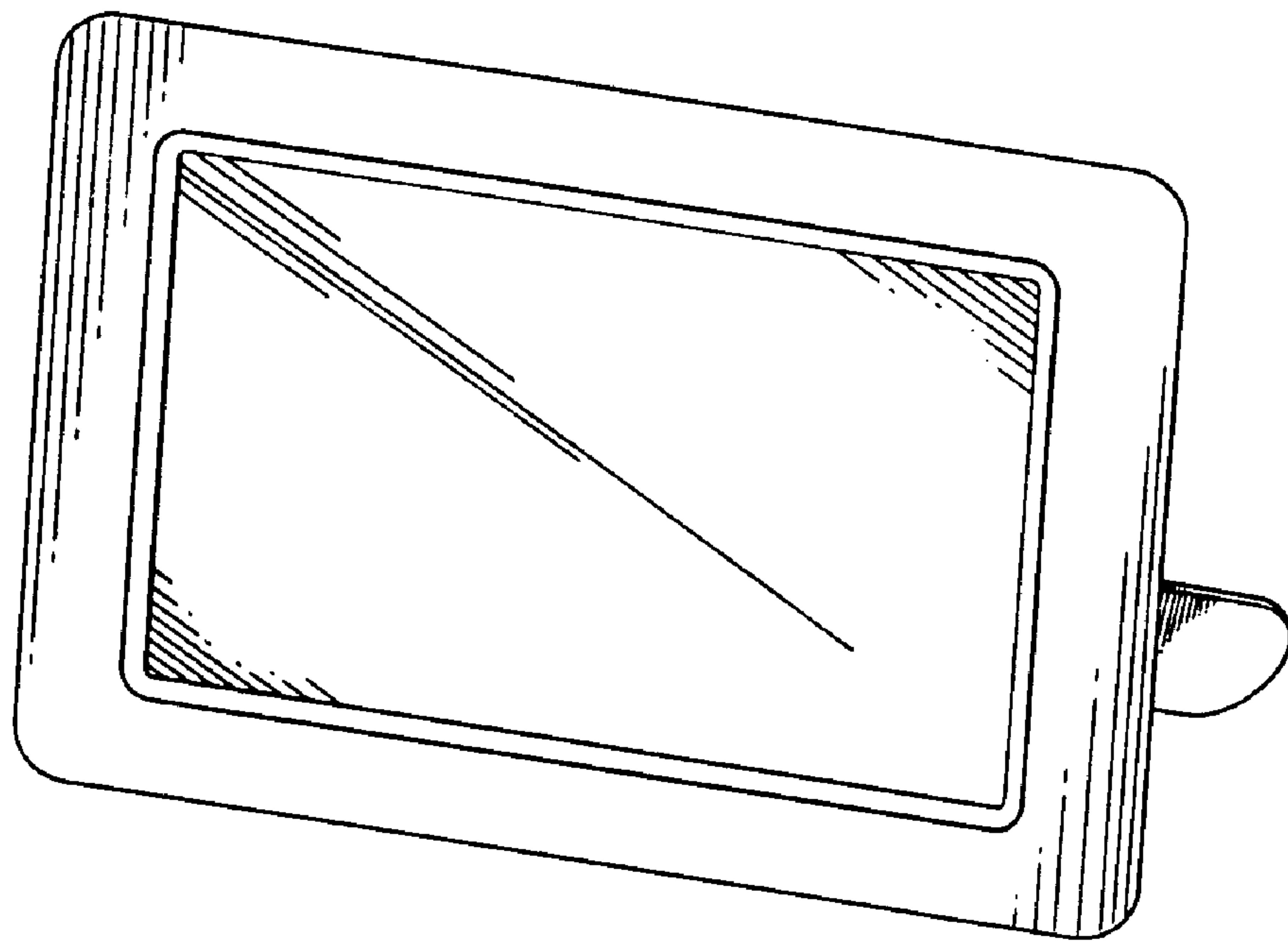


FIG. 1

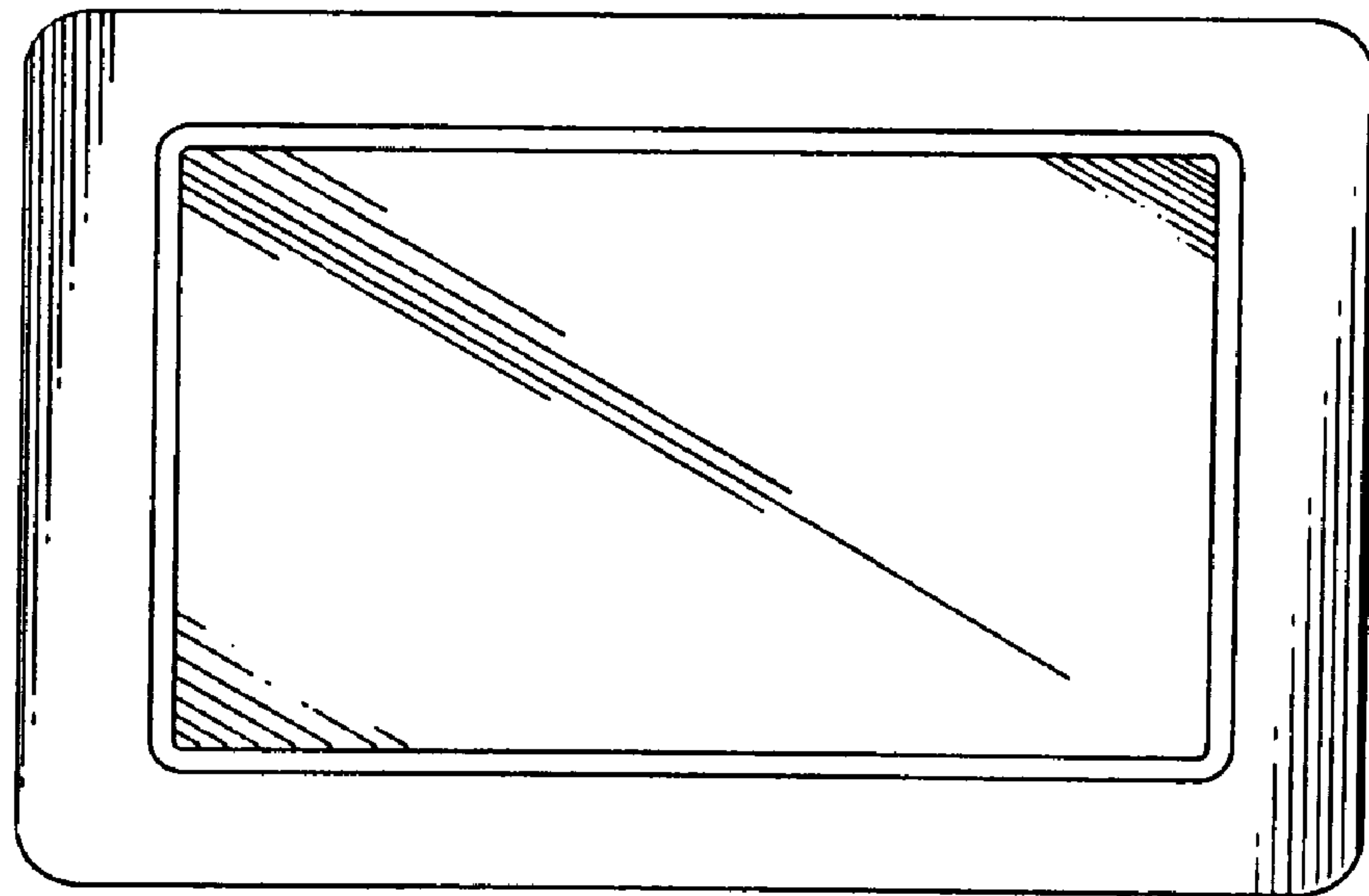


FIG. 2

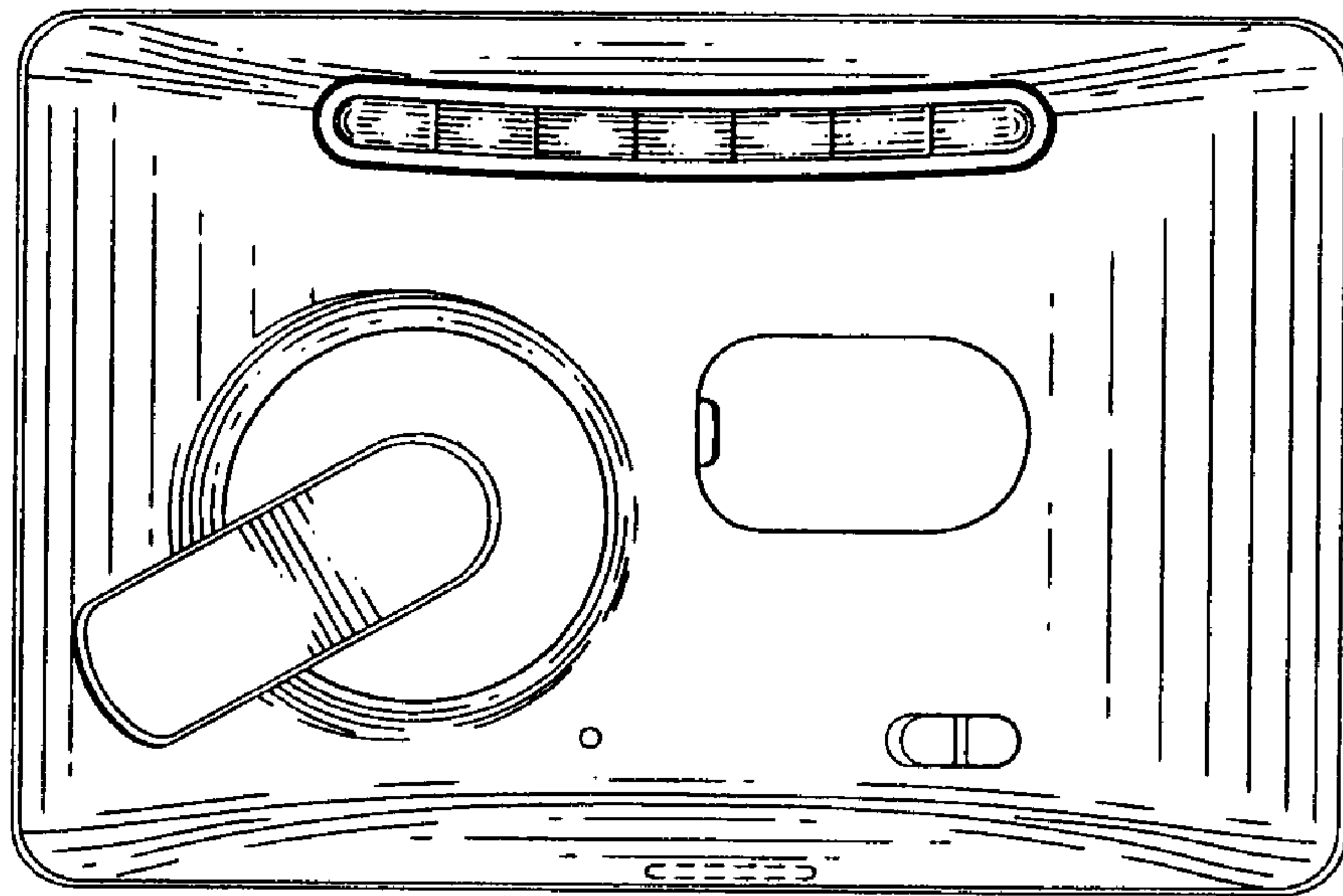


FIG. 3

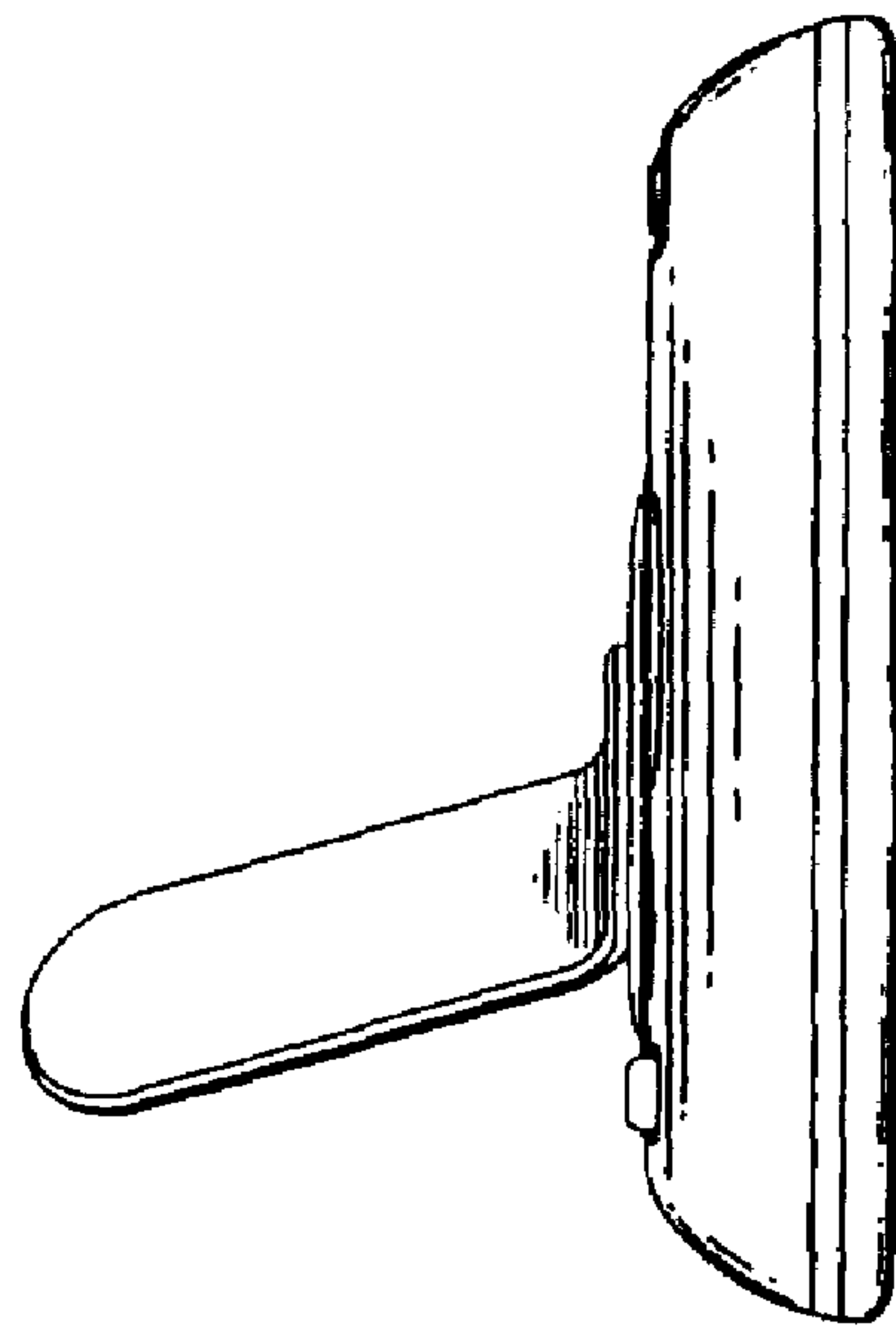


FIG. 4

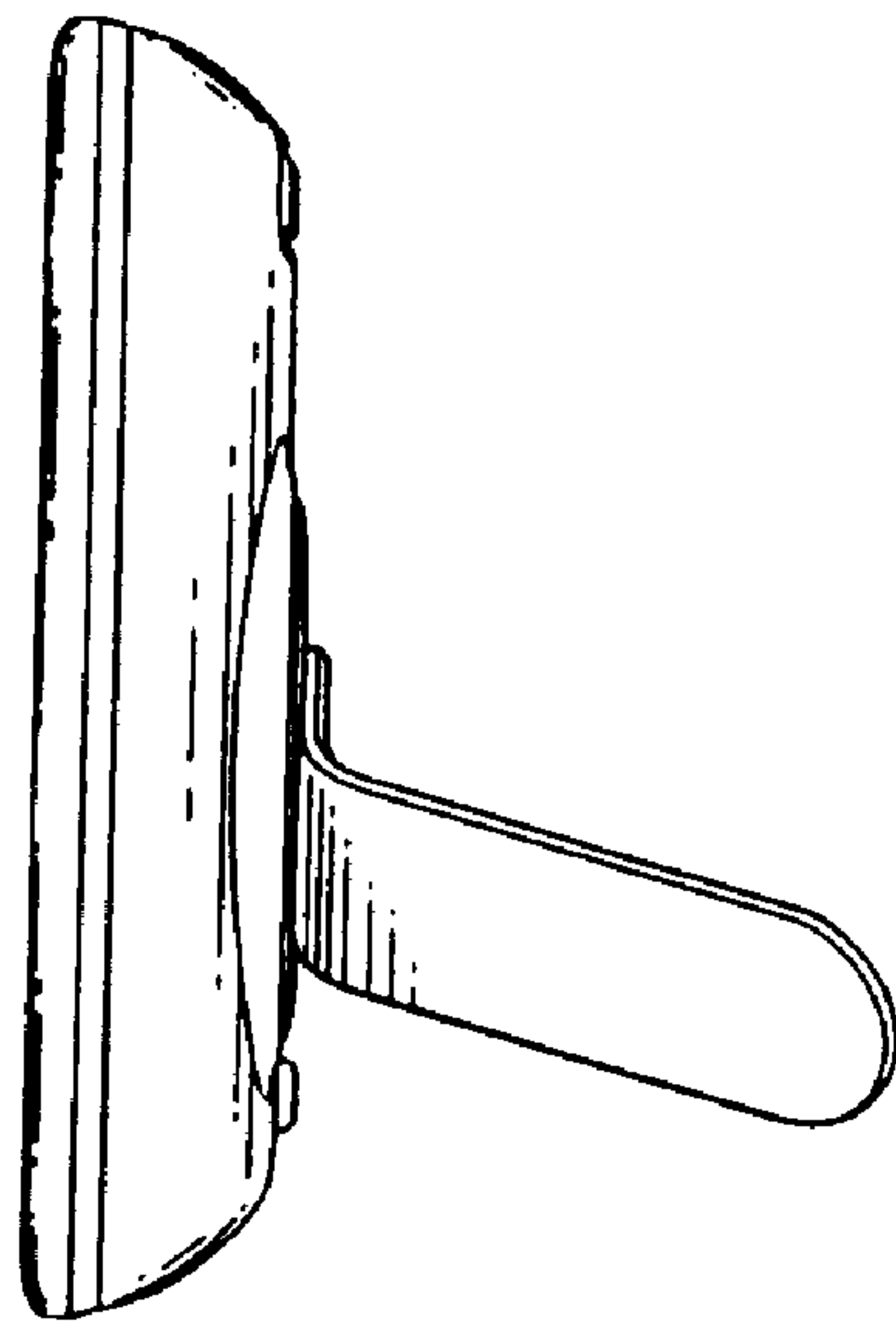


FIG. 5

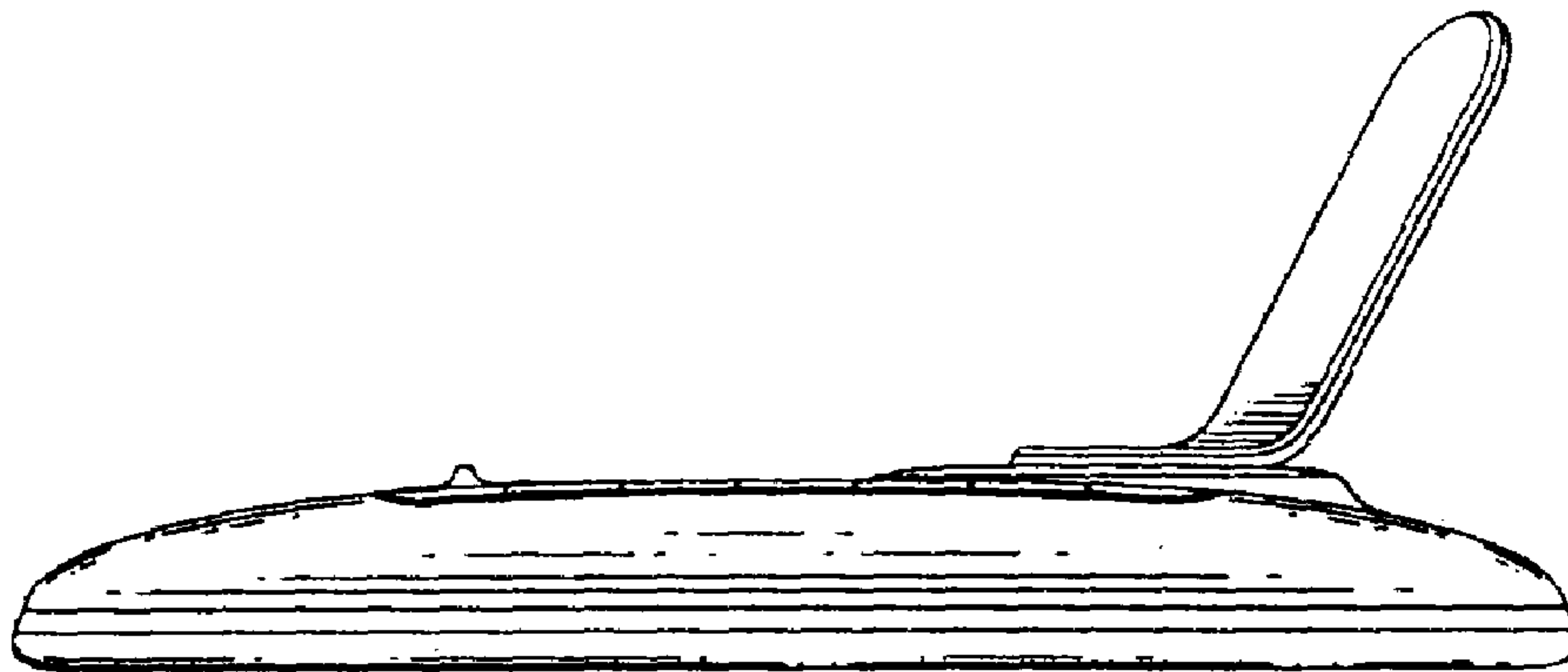


FIG. 6

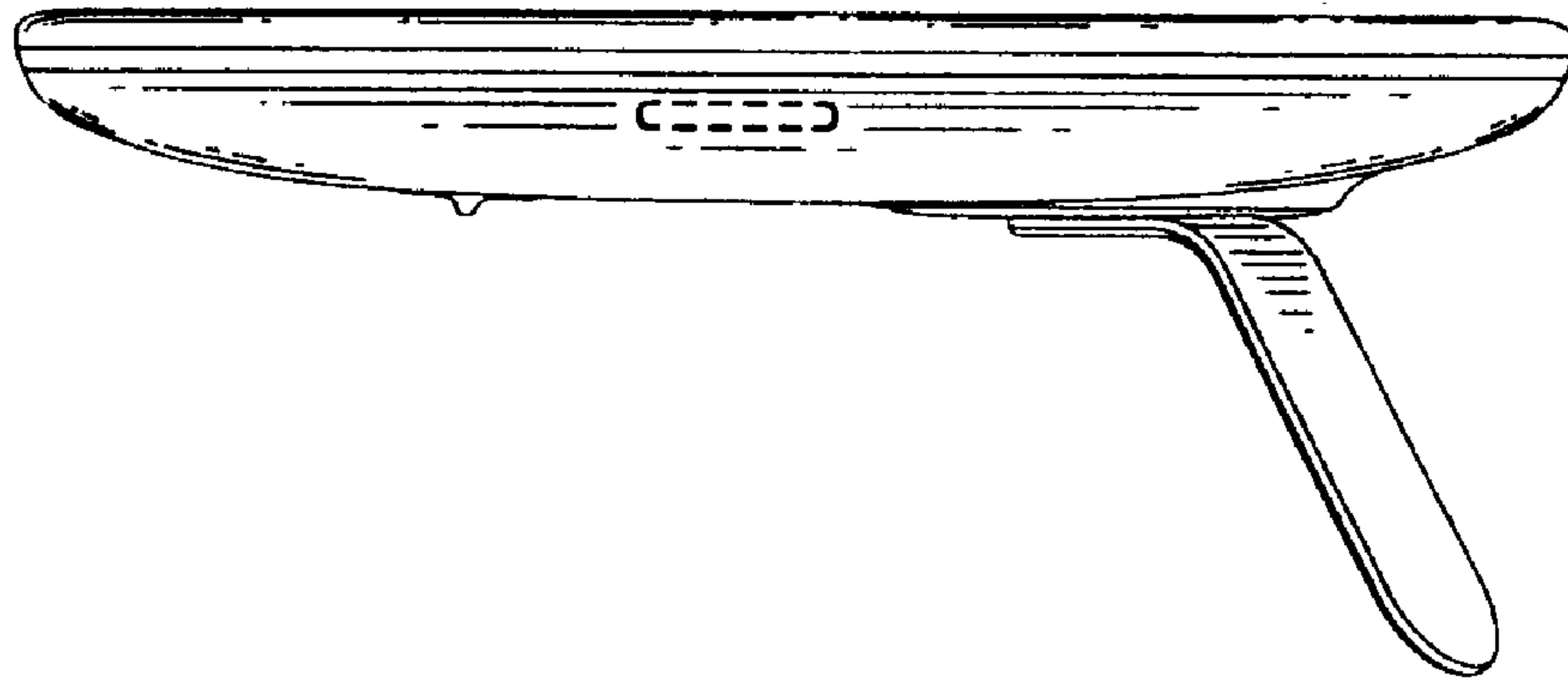


FIG. 7



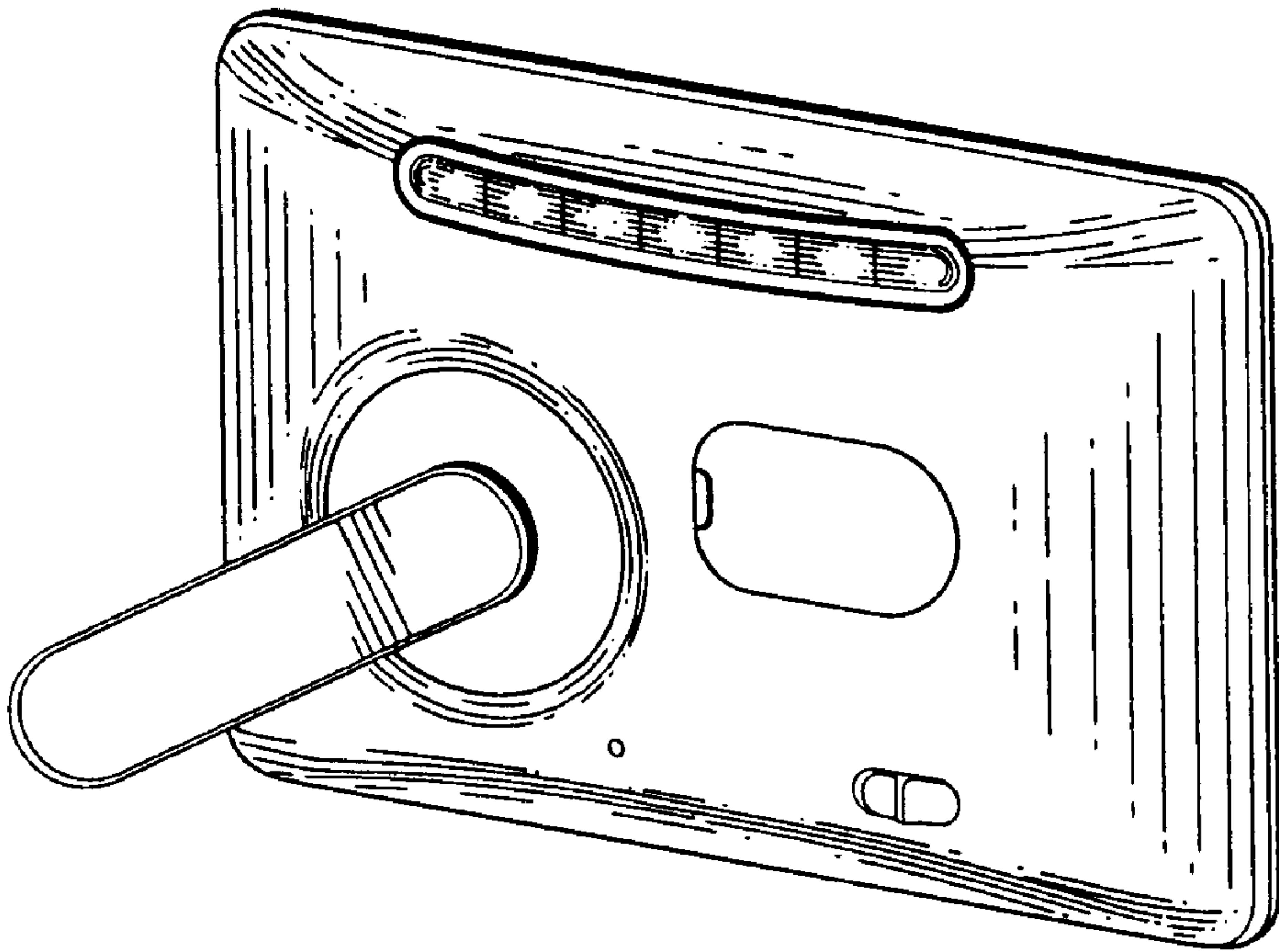


FIG. 8