



US00D609014S

(12) **United States Design Patent**  
**Hill**

(10) **Patent No.:** **US D609,014 S**

(45) **Date of Patent:** **\*\* Feb. 2, 2010**

(54) **AEROSOL CLEANER TOOL**

(75) Inventor: **Ambreese Hill**, Grand Rapids, MI (US)

(73) Assignee: **BISSELL Homecare, Inc.**, Grand Rapids, MI (US)

(\*\*) Term: **14 Years**

(21) Appl. No.: **29/332,232**

(22) Filed: **Feb. 11, 2009**

(51) **LOC (9) Cl.** ..... **04-01**

(52) **U.S. Cl.** ..... **D4/114; D4/118**

(58) **Field of Classification Search** ..... D4/114,  
D4/118, 136; D9/436, 723, 724; D32/41,  
D32/42, 45; 15/111, 117; 401/16, 24, 25,  
401/27, 137-140, 190

See application file for complete search history.

(56) **References Cited**

**U.S. PATENT DOCUMENTS**

|           |     |         |              |              |
|-----------|-----|---------|--------------|--------------|
| 2,772,430 | A   | 12/1956 | Moritt       |              |
| D196,707  | S   | 10/1963 | Anderson     |              |
| 3,118,166 | A   | 1/1964  | Bell         |              |
| D198,109  | S * | 4/1964  | Klun         | ..... D9/436 |
| D199,959  | S   | 1/1965  | Hulsh        |              |
| 3,184,781 | A   | 5/1965  | Hoxie        |              |
| 4,533,273 | A   | 8/1985  | Obata et al. |              |
| D385,789  | S   | 11/1997 | Koptis       |              |

|           |     |         |              |              |
|-----------|-----|---------|--------------|--------------|
| 5,966,770 | A * | 10/1999 | Byrne et al. | ..... 15/105 |
| D433,235  | S   | 11/2000 | Koptis       |              |
| D510,863  | S   | 10/2005 | Juhng et al. |              |
| D575,516  | S * | 8/2008  | Daniels      | ..... D4/118 |

\* cited by examiner

*Primary Examiner*—Melanie H Tung

*Assistant Examiner*—Lavone D Tabor

(74) *Attorney, Agent, or Firm*—McGarry Bair PC

(57) **CLAIM**

The ornamental design for an aerosol cleaner tool, as shown and described.

**DESCRIPTION**

FIG. 1 is a front perspective view of an aerosol cleaner tool which embodies our design;

FIG. 2 is a rear left perspective view thereof;

FIG. 3 is a front view thereof;

FIG. 4 is a rear view thereof;

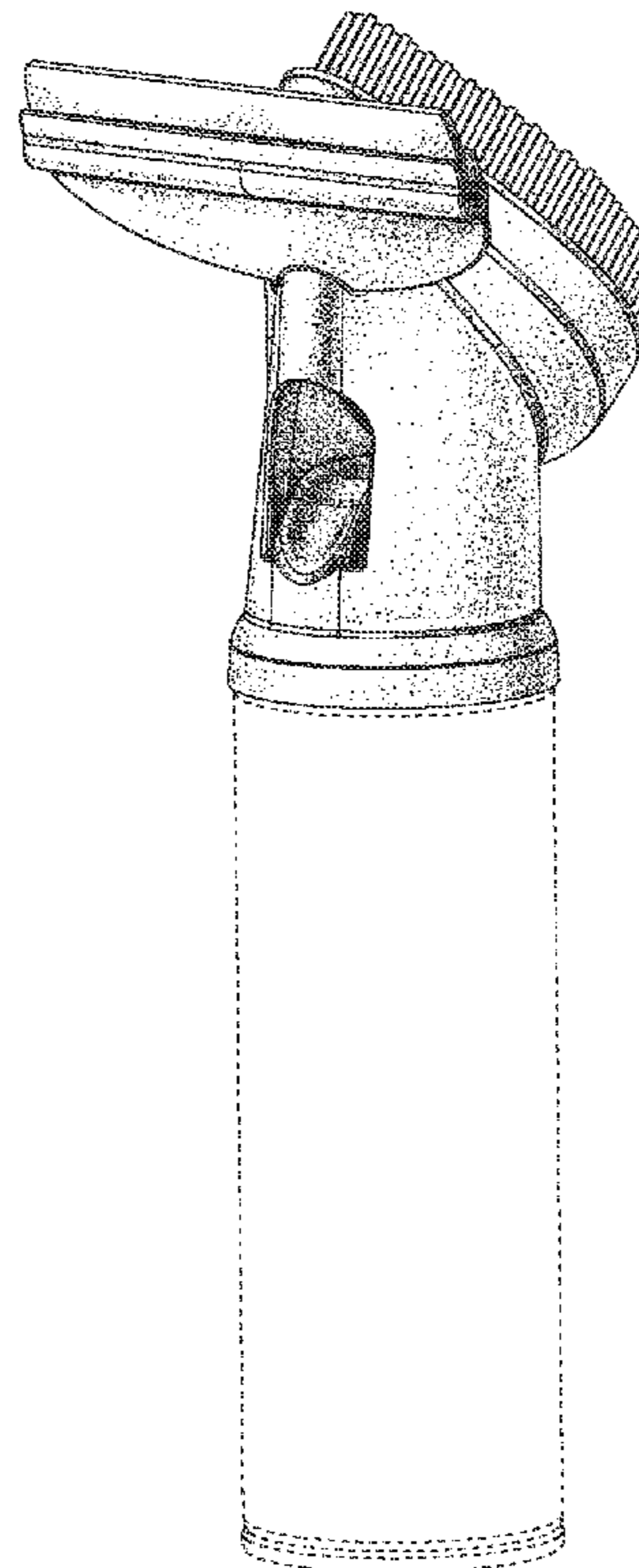
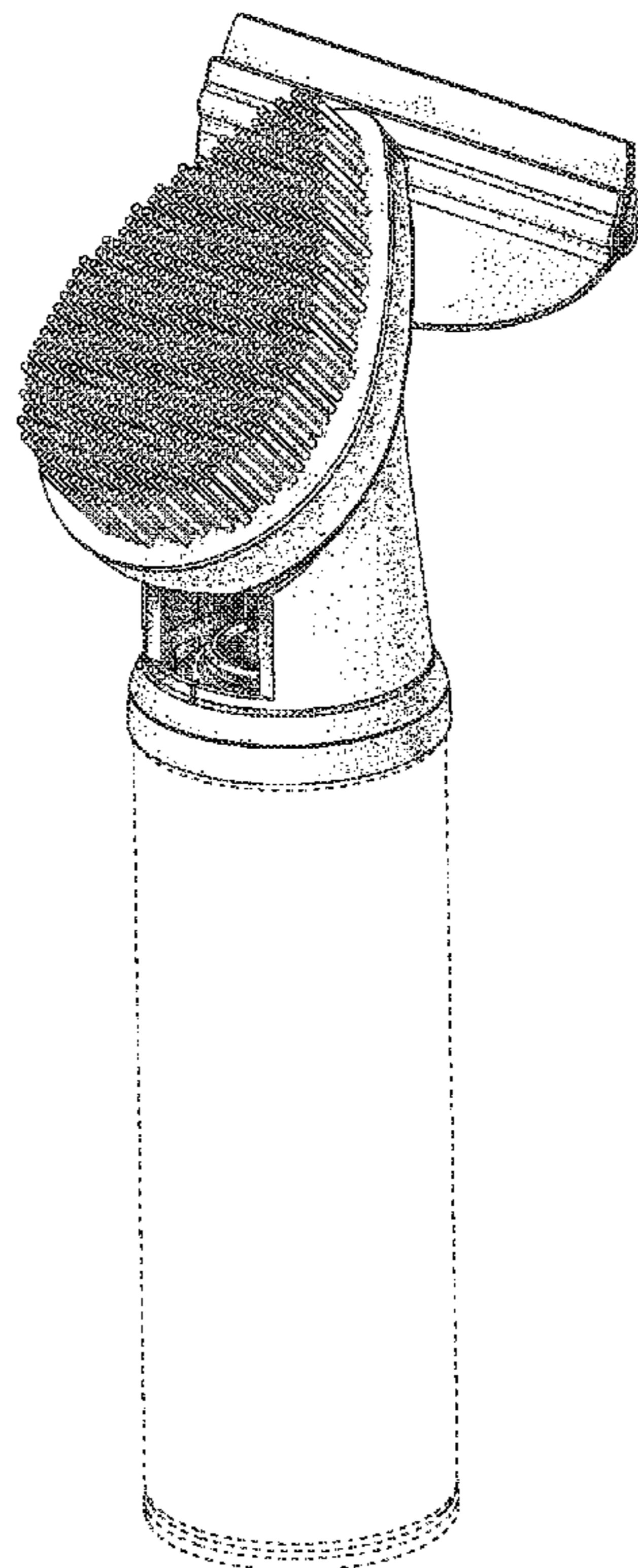
FIG. 5 is a left side view, the right side view being a mirror image thereof;

FIG. 6 is a top view thereof; and,

FIG. 7 is a bottom view thereof.

The material in dotted lines forms no part of my aerosol cleaner tool design.

**1 Claim, 3 Drawing Sheets**



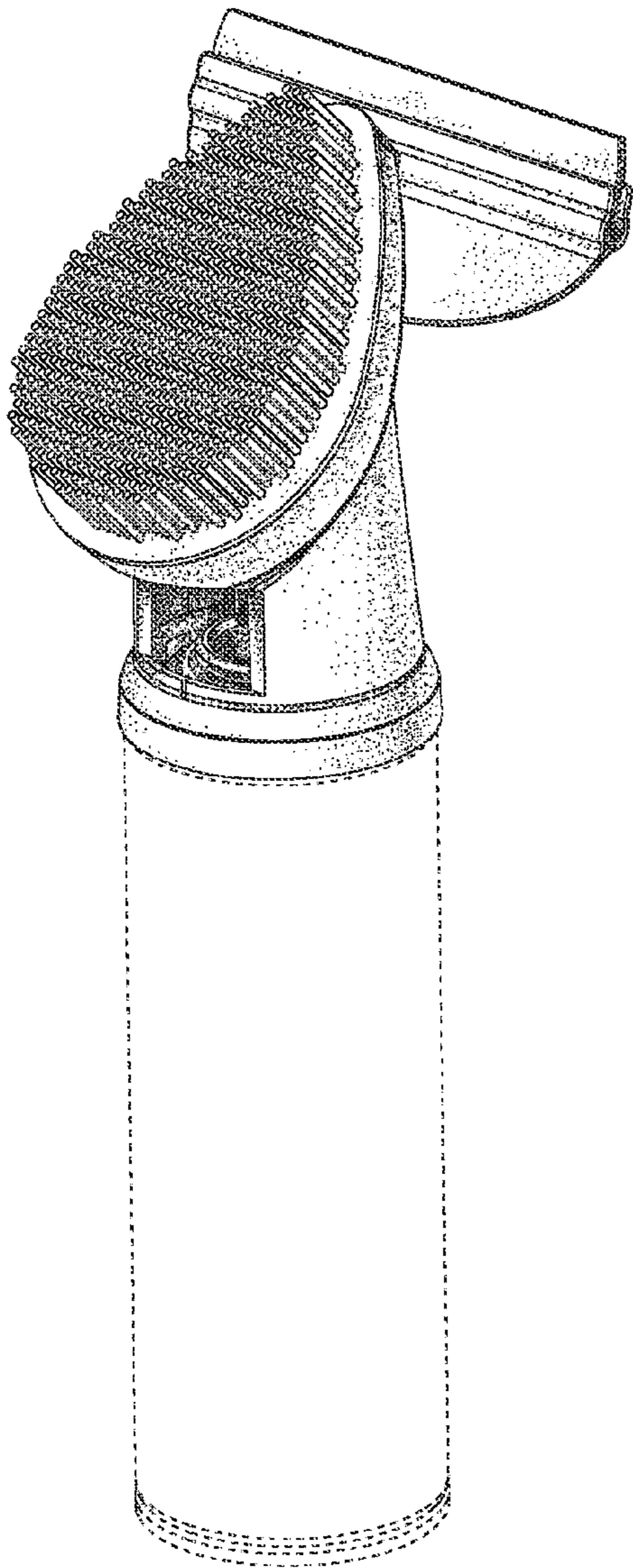


Fig. 1

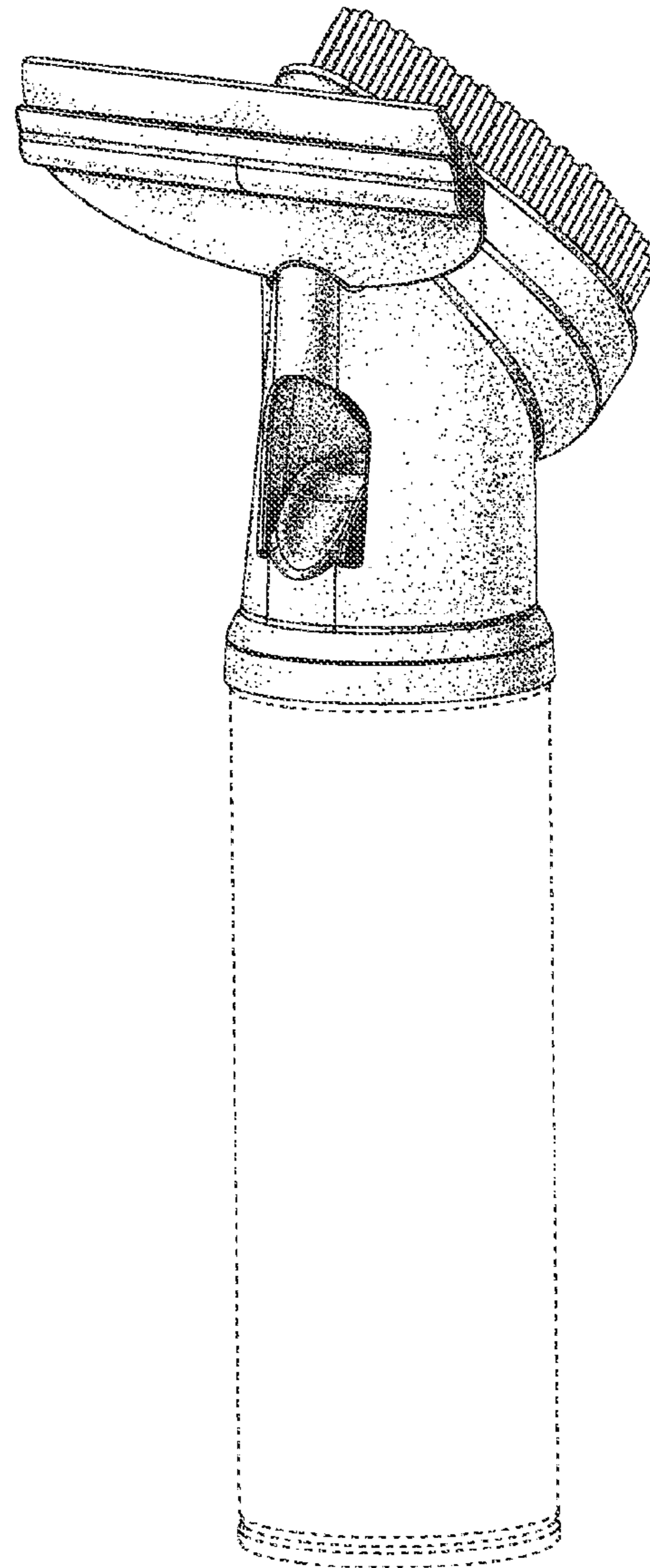


Fig. 2



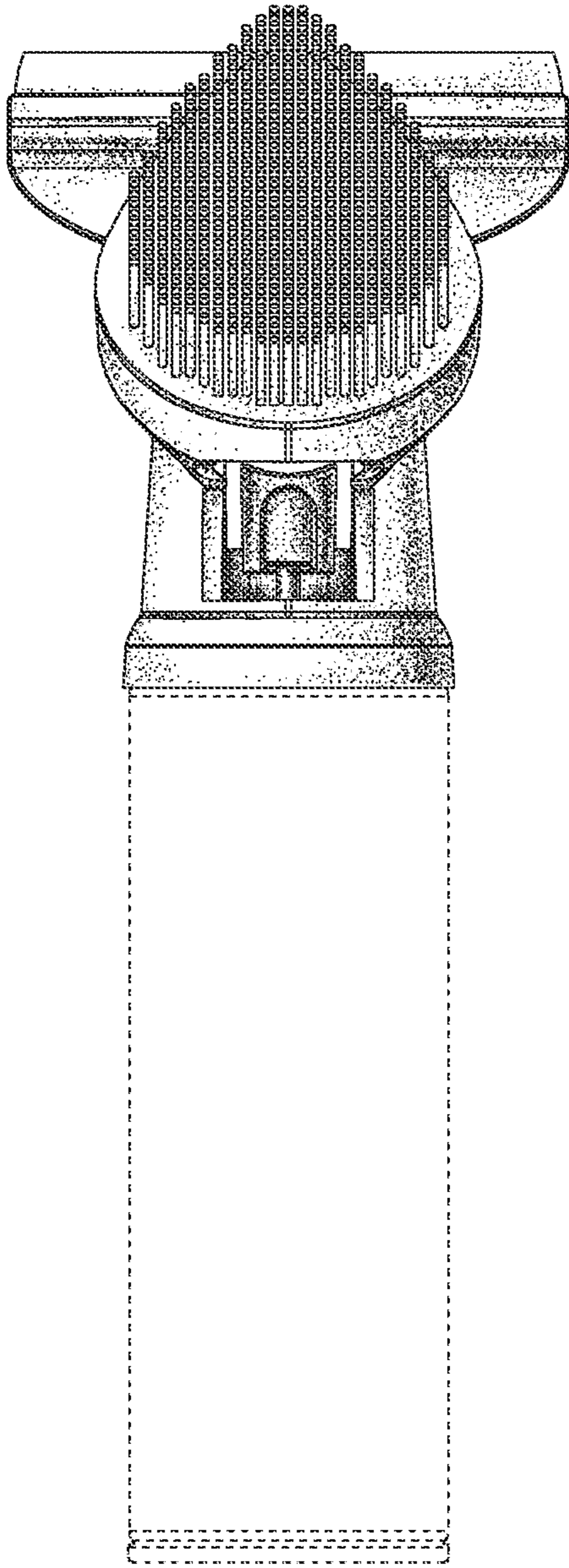


Fig. 3

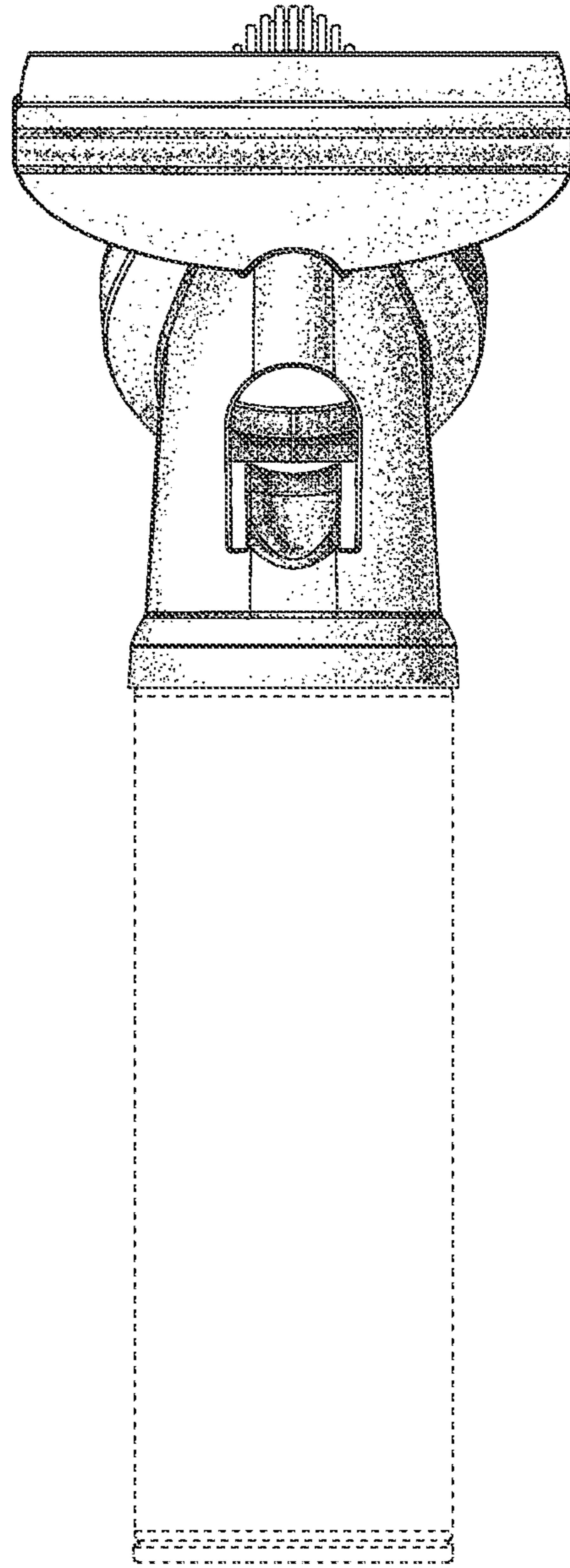
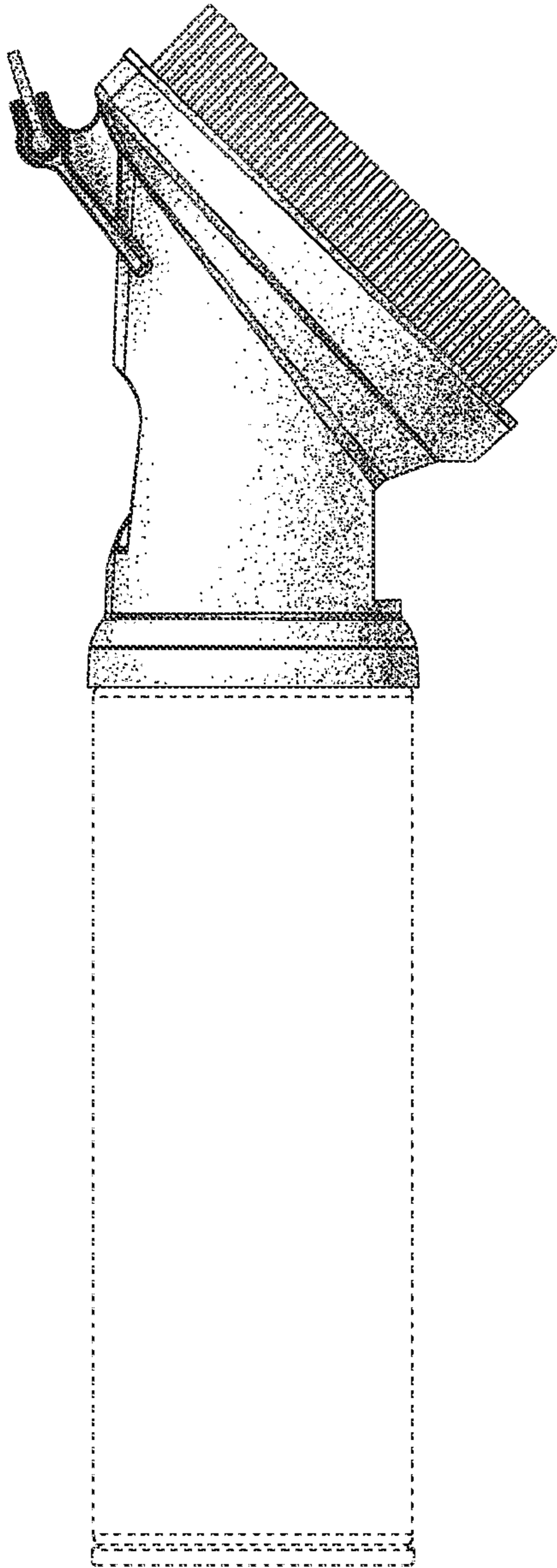
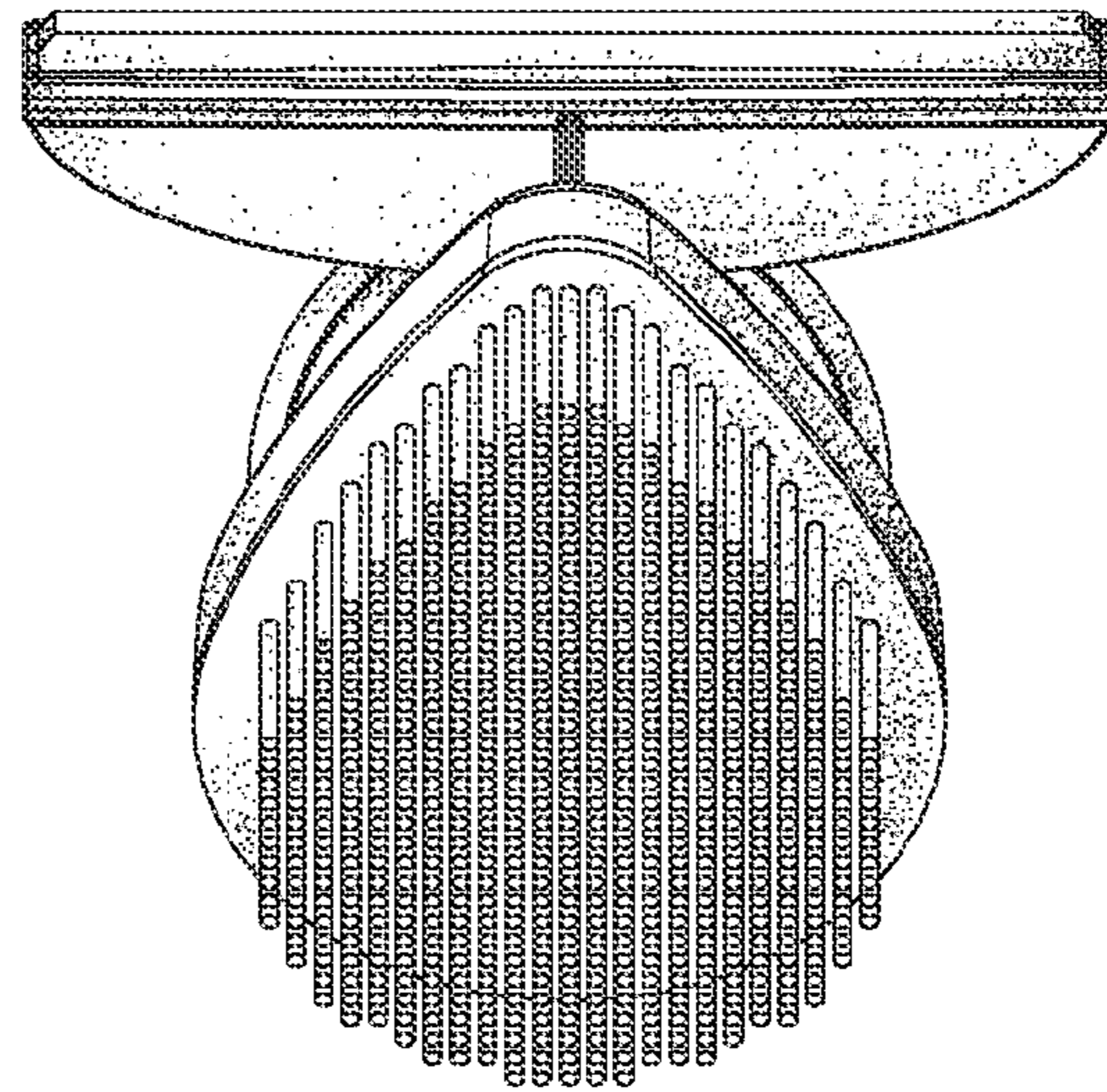


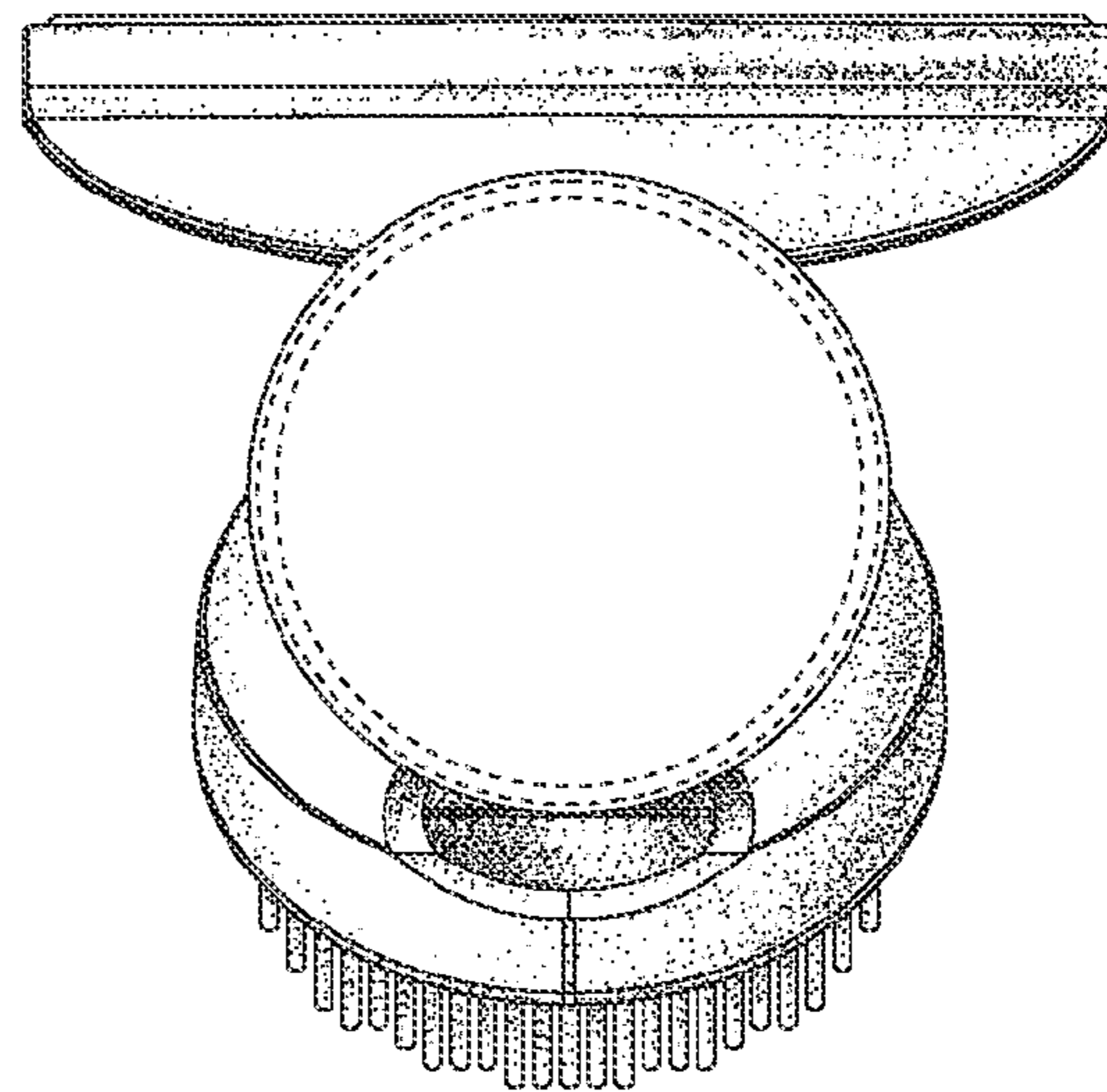
Fig. 4



**Fig. 5**



**Fig. 6**



**Fig. 7**