



US00D609006S

(12) **United States Design Patent**
Orion et al.

(10) **Patent No.:** **US D609,006 S**

(45) **Date of Patent:** **** Feb. 2, 2010**

(54) **POINT AND SHOOT CAMERA WRAP**

2005/0067319 A1 3/2005 Wei
2007/0051766 A1 3/2007 Spencer

(75) Inventors: **Storm Orion**, Pittsburgh, PA (US);
Justin Kuntz, Pittsburgh, PA (US)

FOREIGN PATENT DOCUMENTS

(73) Assignee: **Sima Products Corporation**, Oakmont,
PA (US)

FR 2852498 9/2004

(**) Term: **14 Years**

* cited by examiner

(21) Appl. No.: **29/322,165**

Primary Examiner—Celia A Murphy

(22) Filed: **Jul. 30, 2008**

(74) *Attorney, Agent, or Firm*—Buchanan Ingersoll &
Rooney PC

(51) **LOC (9) Cl.** **03-01**

(57) **CLAIM**

(52) **U.S. Cl.** **D3/267; D3/263**

The ornamental design for a point and shoot camera wrap, as
shown and described.

(58) **Field of Classification Search** D2/902,
D2/947, 951, 952, 953, 954, 956, 957, 959,
D2/960; 36/3 B, 22 R, 24.5, 25 R, 32 R,
36/59 C; D5/6, 37, 45, 66

DESCRIPTION

See application file for complete search history.

FIG. 1 is a rear view of a point and shoot camera wrap
showing our new design in a wrapped position;

(56) **References Cited**

U.S. PATENT DOCUMENTS

- 2,616,555 A * 11/1952 Nathan 206/5
- D308,598 S * 6/1990 Burchett D3/265
- 5,377,794 A * 1/1995 Book 190/1
- D361,660 S * 8/1995 Booth et al. D3/265
- D391,075 S * 2/1998 Jackson et al. D3/215
- 6,079,528 A 6/2000 Moor
- D429,880 S * 8/2000 McCullough et al. D3/215
- D447,623 S * 9/2001 Troska D3/215
- 6,305,537 B1 * 10/2001 Jaffe 206/316.2
- 6,604,618 B1 8/2003 Godshaw et al.
- 6,871,739 B2 2/2005 Lopez
- D515,588 S 2/2006 Kirkwood
- 7,044,277 B2 * 5/2006 Redzisz 190/107
- D531,409 S 11/2006 Tullmann et al.
- D600,911 S * 9/2009 Orion et al. D3/267
- D604,045 S * 11/2009 Schantz et al. D3/299
- 2003/0221924 A1 * 12/2003 Tong 190/107

FIG. 2 is a front perspective view of our point and shoot
camera wrap in a wrapped position;

FIG. 3 is a top view of our point and shoot camera wrap in a
wrapped position;

FIG. 4 is a bottom view of our point and shoot camera wrap in
a wrapped position;

FIG. 5 is a left side view of our point and shoot camera wrap
in a wrapped position;

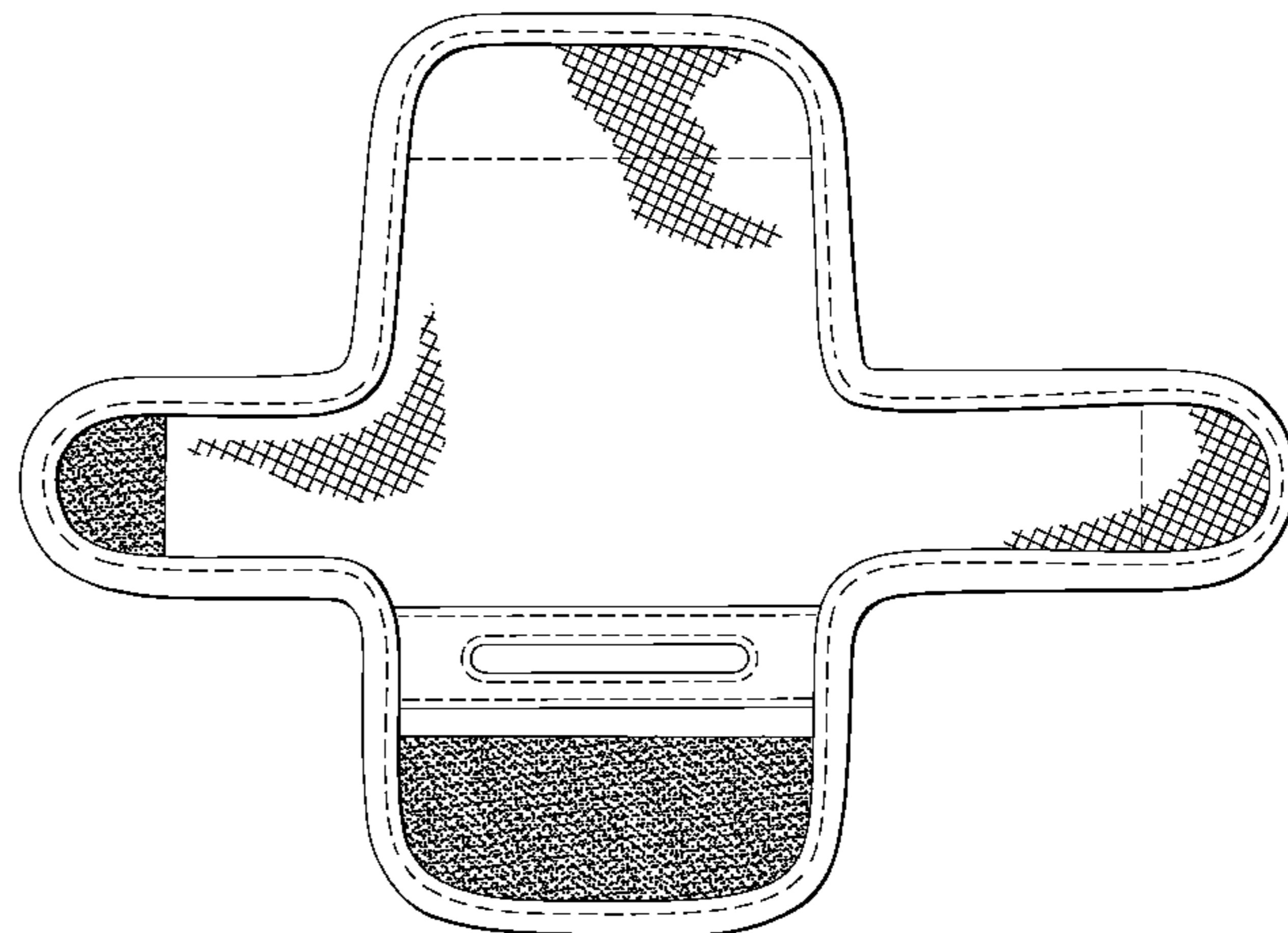
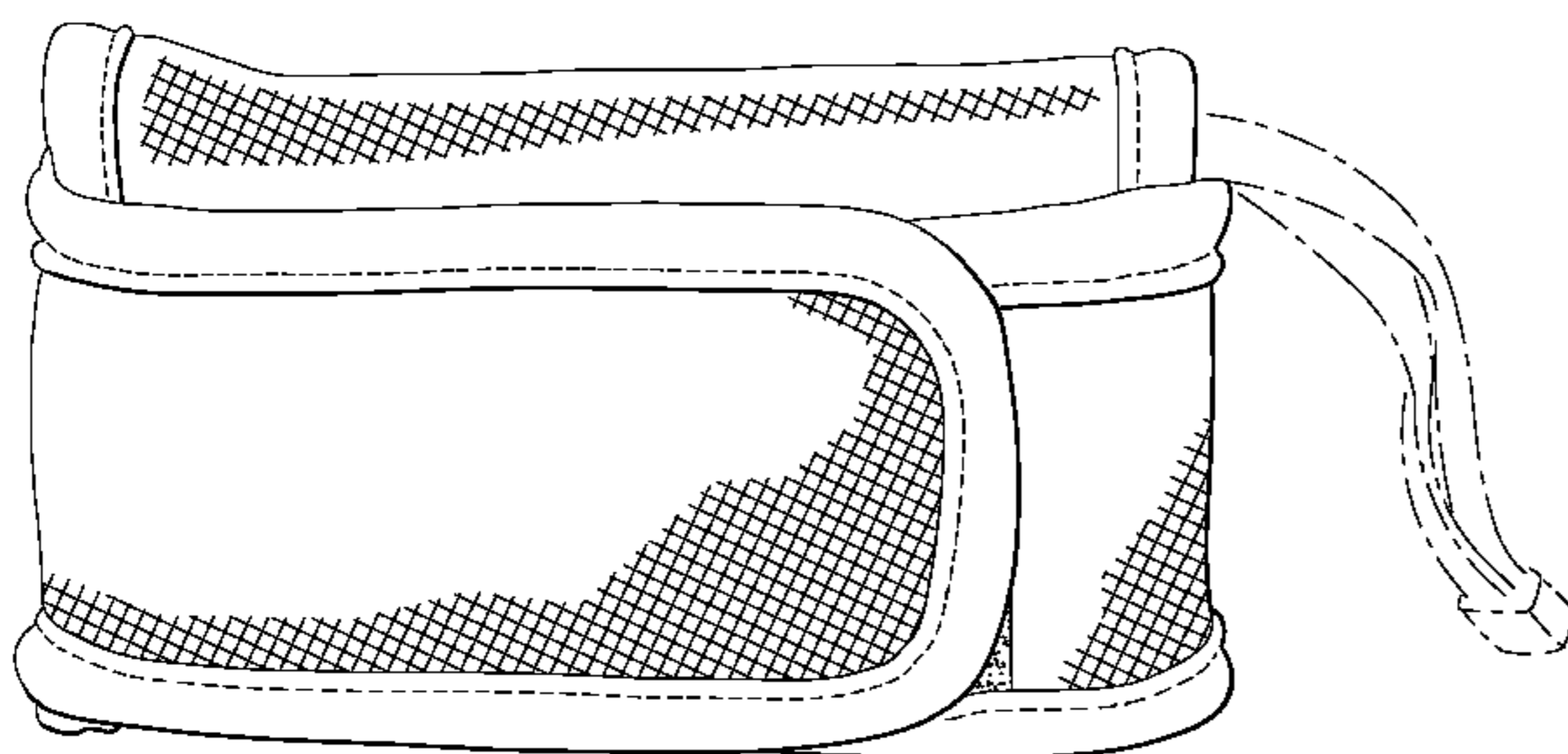
FIG. 6 is a right side view of our point and shoot camera wrap
in a wrapped position;

FIG. 7 is a top view illustrating the exterior of the point and
shoot camera wrap in an unwrapped position; and,

FIG. 8 is a top view illustrating the interior of the point and
shoot camera wrap in an unwrapped position.

The strap shown in chain line in FIGS. 1 and 2 and the circular
keeper shown in chain line in FIG. 4 form no part of our
design. The dash lines in the Figures indicate stitching.

1 Claim, 5 Drawing Sheets



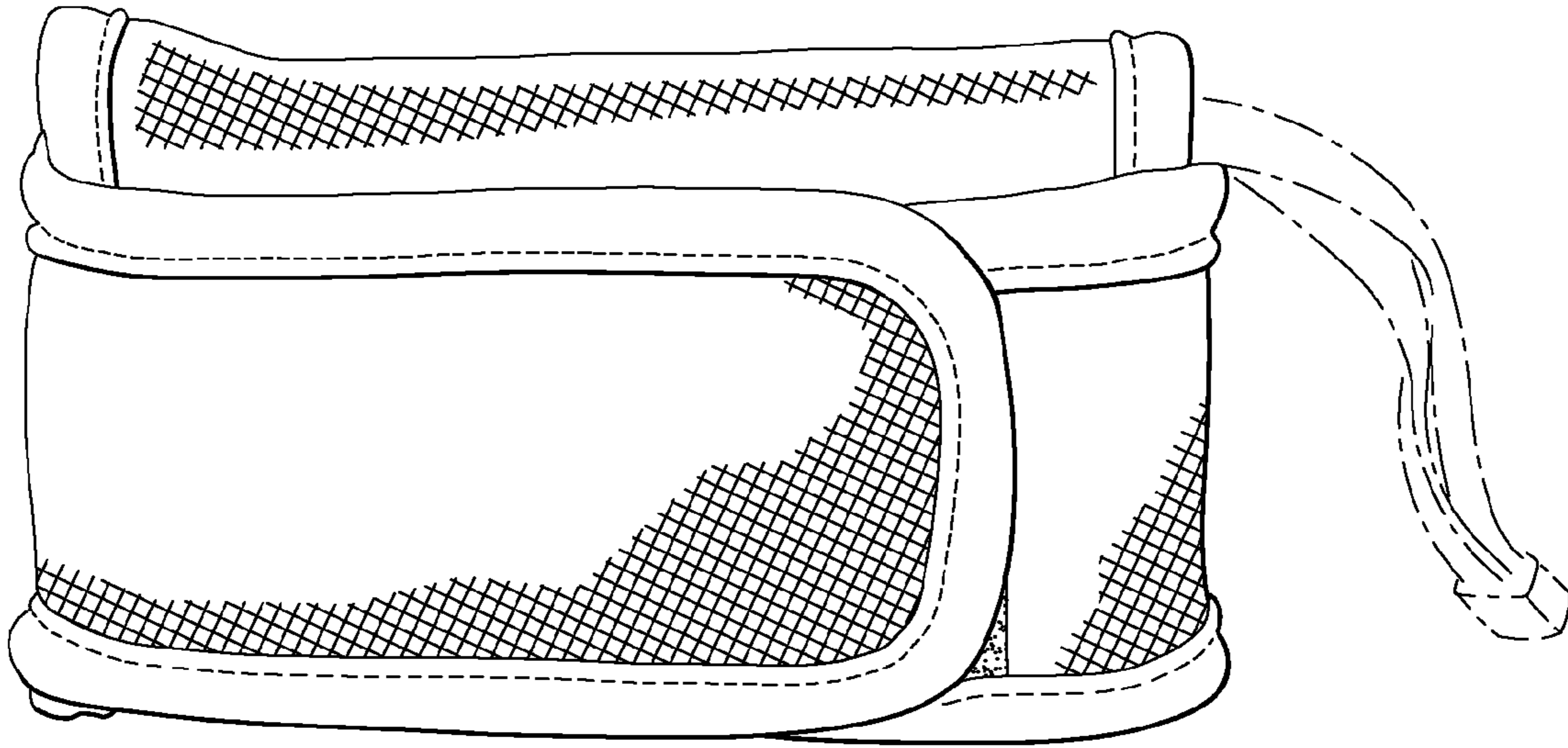


Fig. 1

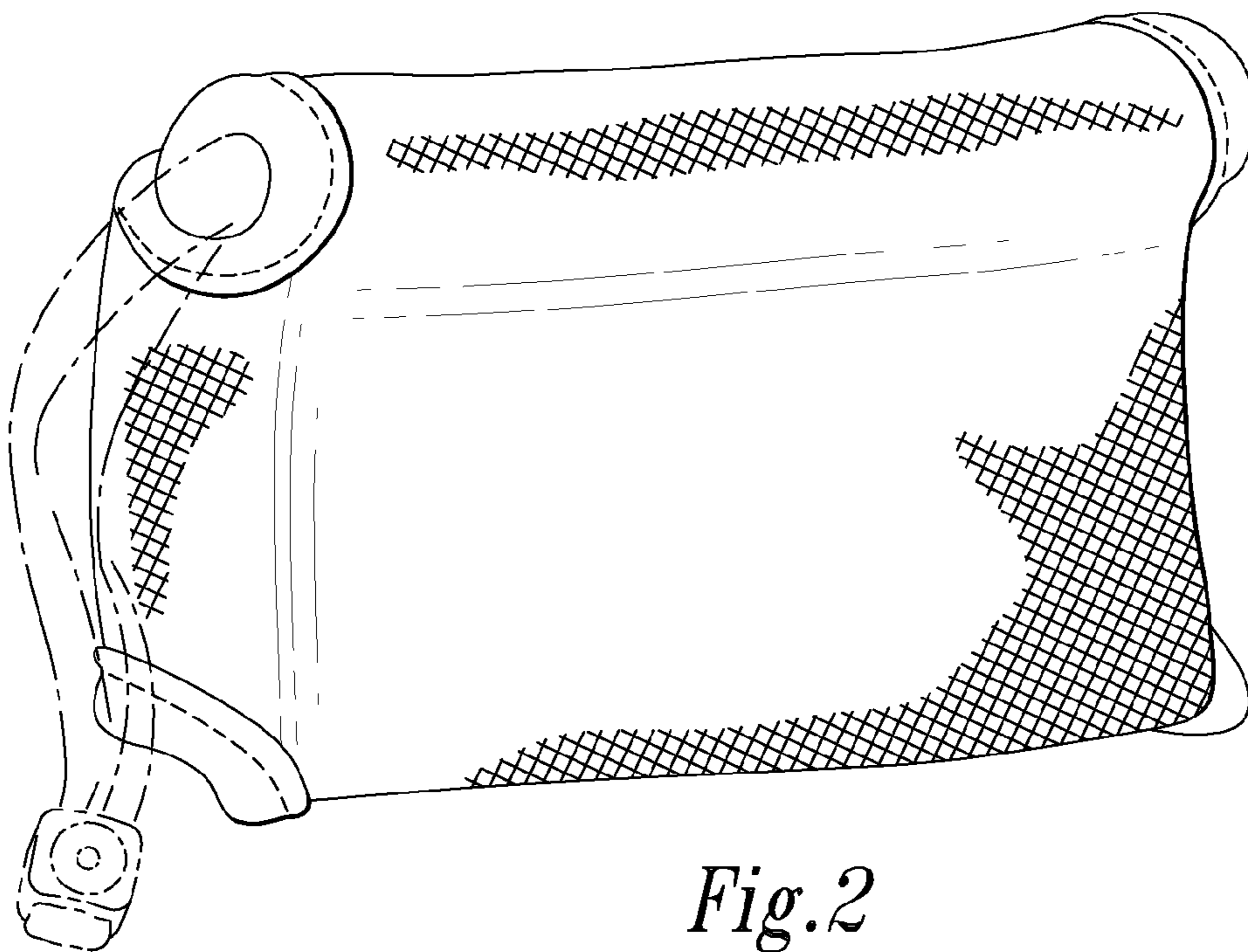


Fig. 2

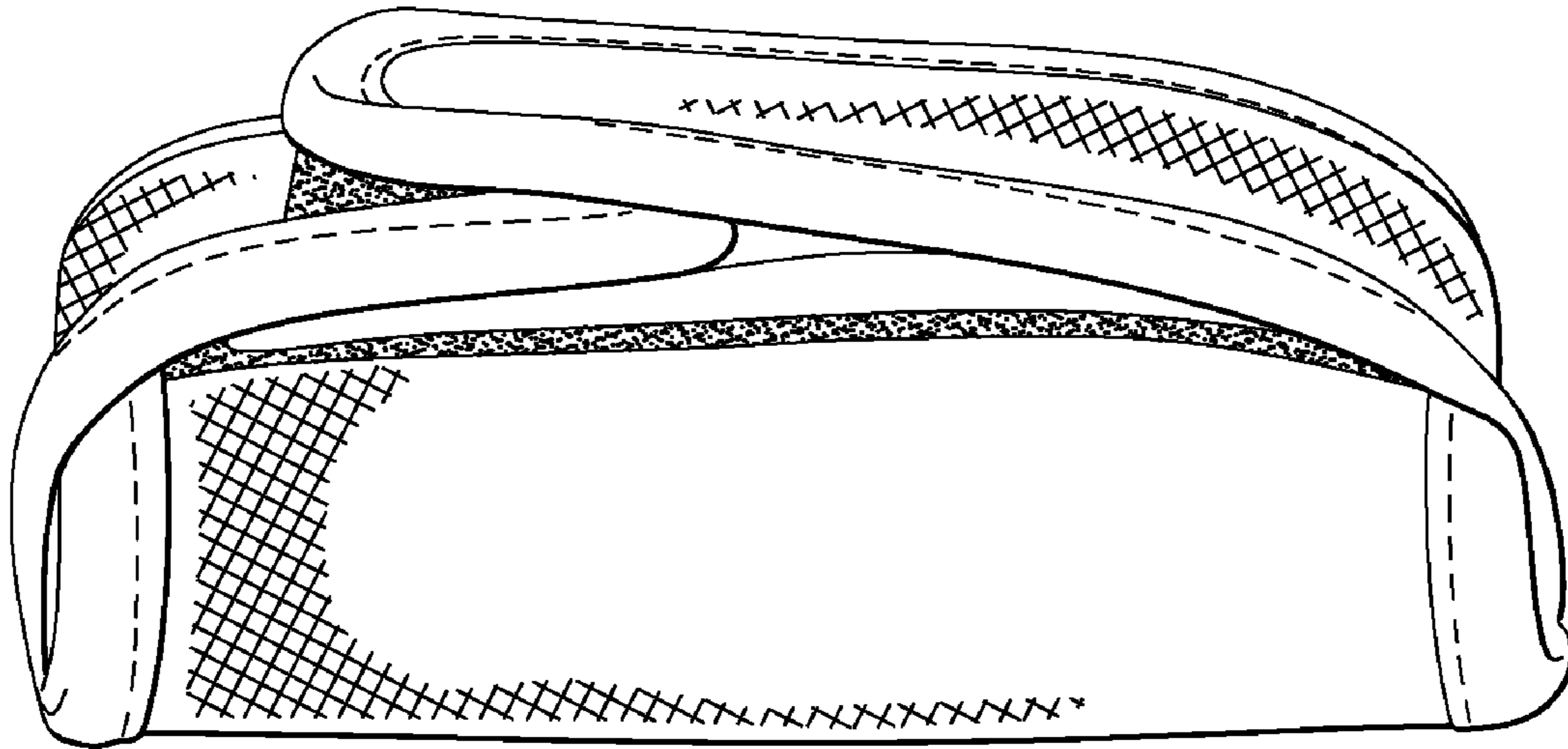


Fig. 3

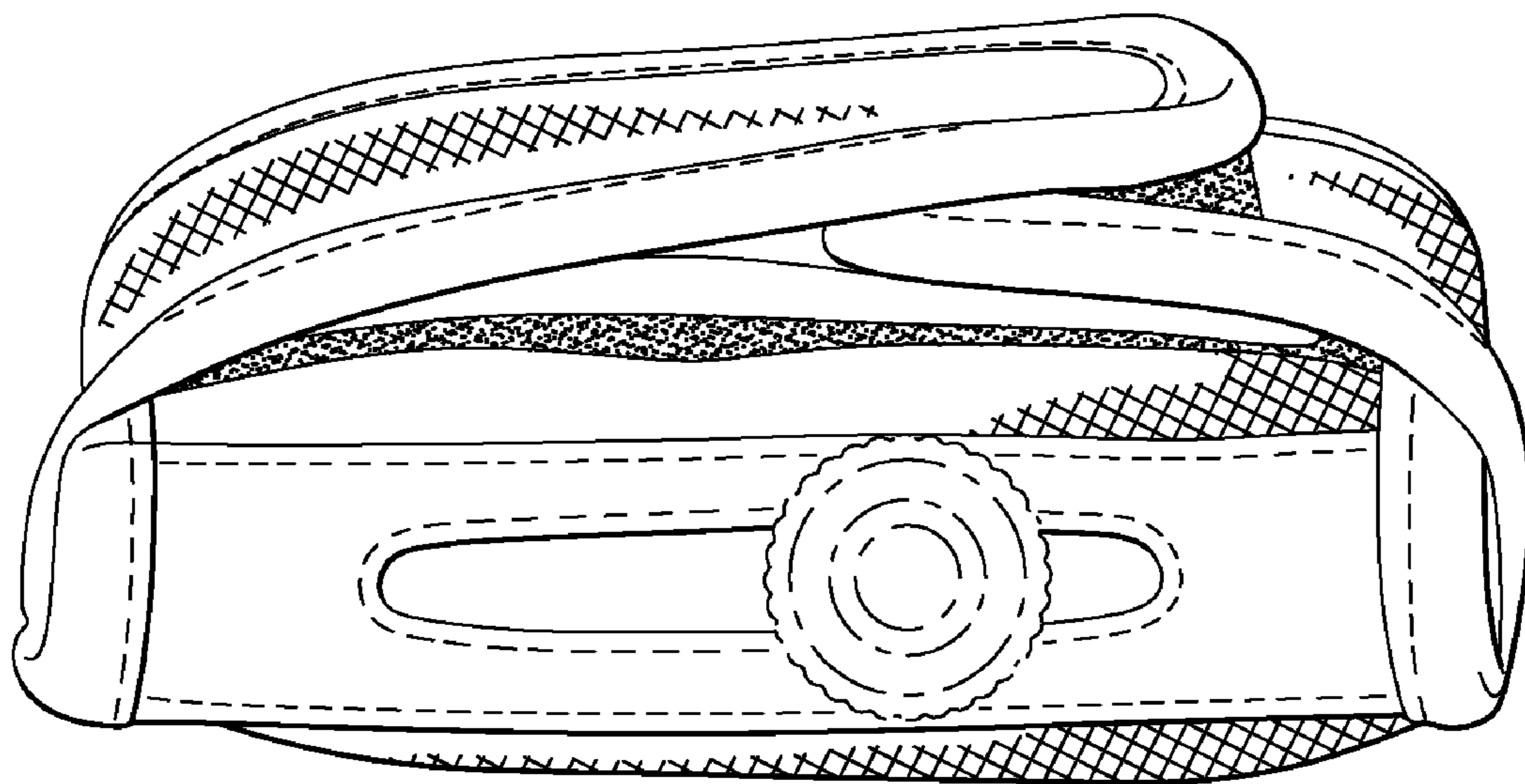


Fig. 4

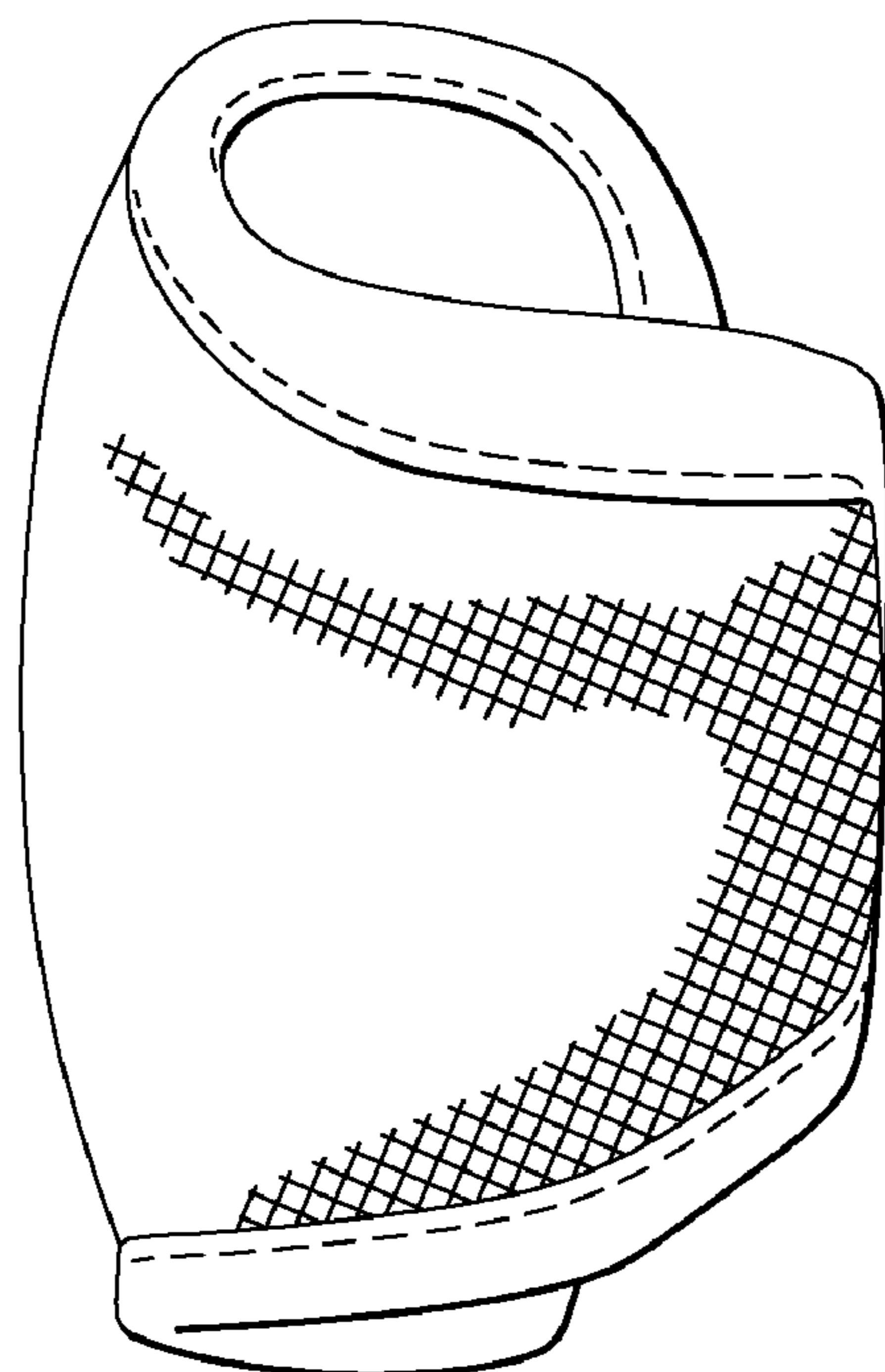


Fig. 5

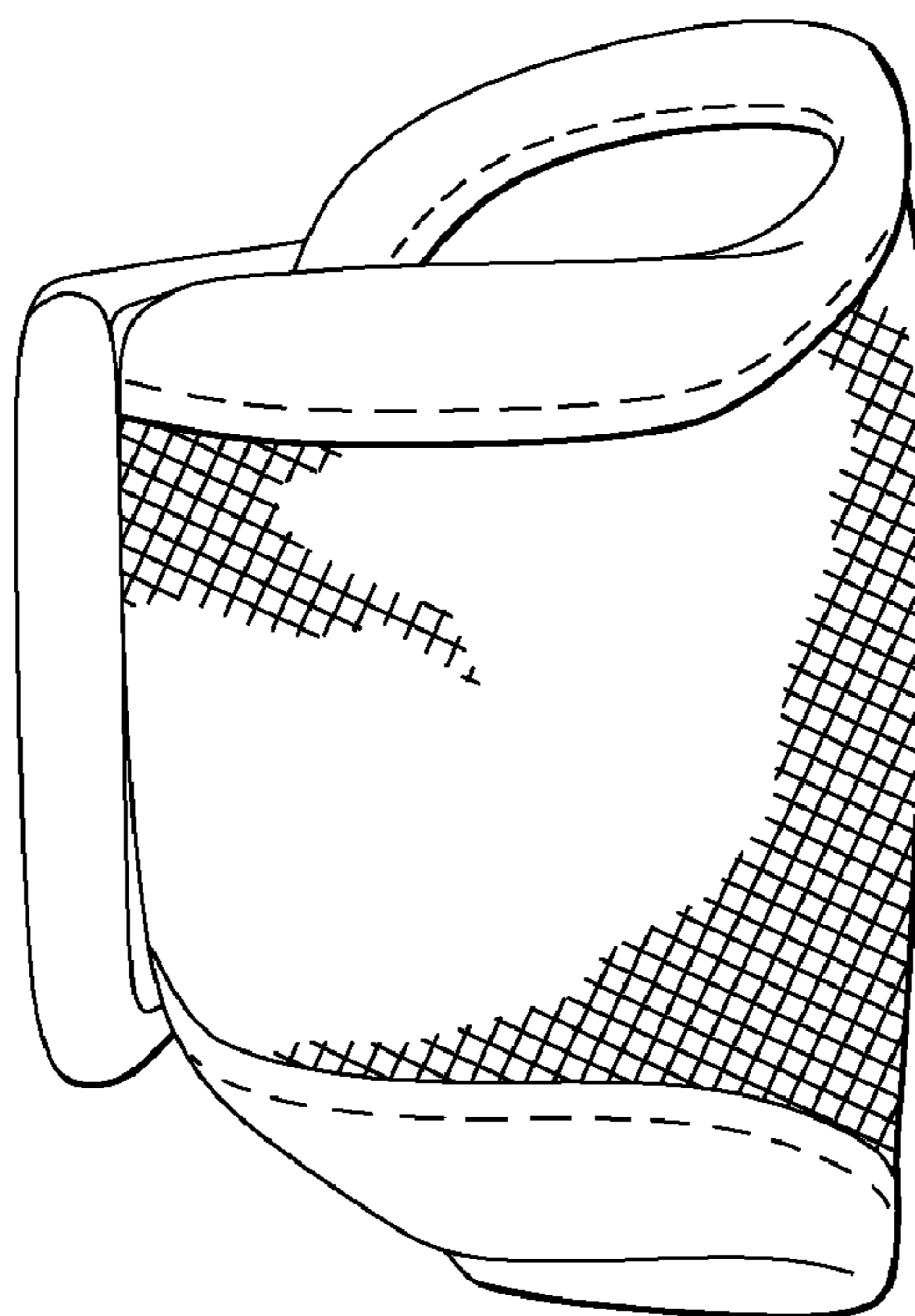


Fig. 6

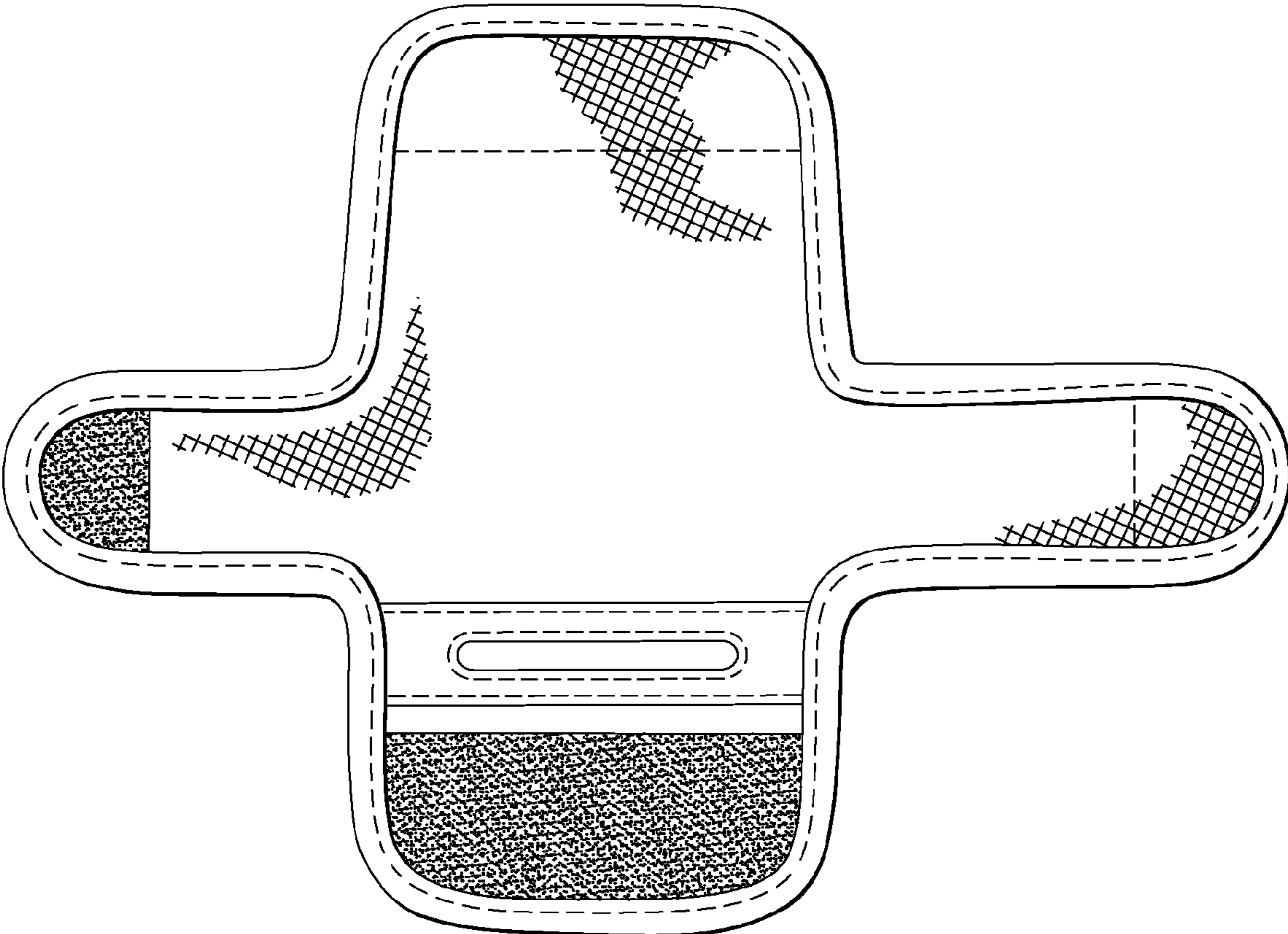


Fig. 7

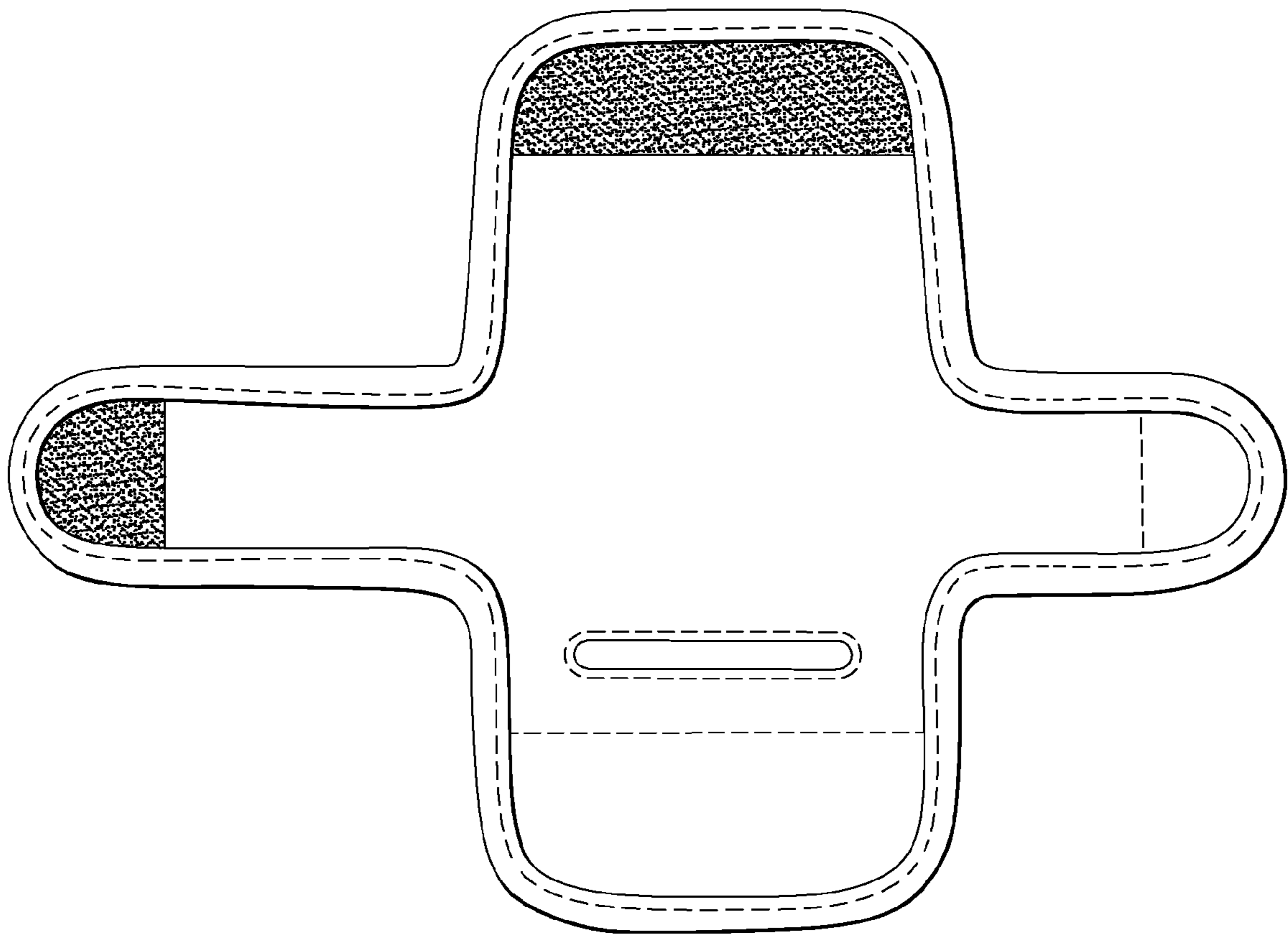


Fig. 8