

US00D609005S

(12) **United States Design Patent**
Dolce et al.

(10) **Patent No.:** **US D609,005 S**
(45) **Date of Patent:** **** Feb. 2, 2010**

(54) **HANDBAG**

(75) Inventors: **Domenico Dolce**, Milan (IT); **Stefano Gabbana**, Milan (IT)

(73) Assignee: **Dolce & Gabbana S.R.L.**, Milan MI (IT)

(**) Term: **14 Years**

(21) Appl. No.: **29/311,755**

(22) Filed: **Jun. 10, 2009**

(30) **Foreign Application Priority Data**

Mar. 16, 2009 (EM) 001105852

(51) **LOC (9) Cl.** **03-01**

(52) **U.S. Cl.** **D3/245**

(58) **Field of Classification Search** D3/232-233,
D3/240-246, 318, 324; 150/100, 103-104,
150/106-110, 113-114, 118-119

See application file for complete search history.

(56) **References Cited**

U.S. PATENT DOCUMENTS

D574,613 S * 8/2008 Gerbi D3/246

* cited by examiner

Primary Examiner—Holly H Baynham

(74) *Attorney, Agent, or Firm*—Jacobson Holman PLLC

(57) **CLAIM**

The ornamental design for a handbag, as shown and described.

DESCRIPTION

FIG. 1 is a perspective view showing my new design for a handbag,

FIG. 2 is a front view thereof,

FIG. 3 is a rear view thereof,

FIG. 4 is a top view thereof with the handles downwardly rotated to show the upper side of the handbag,

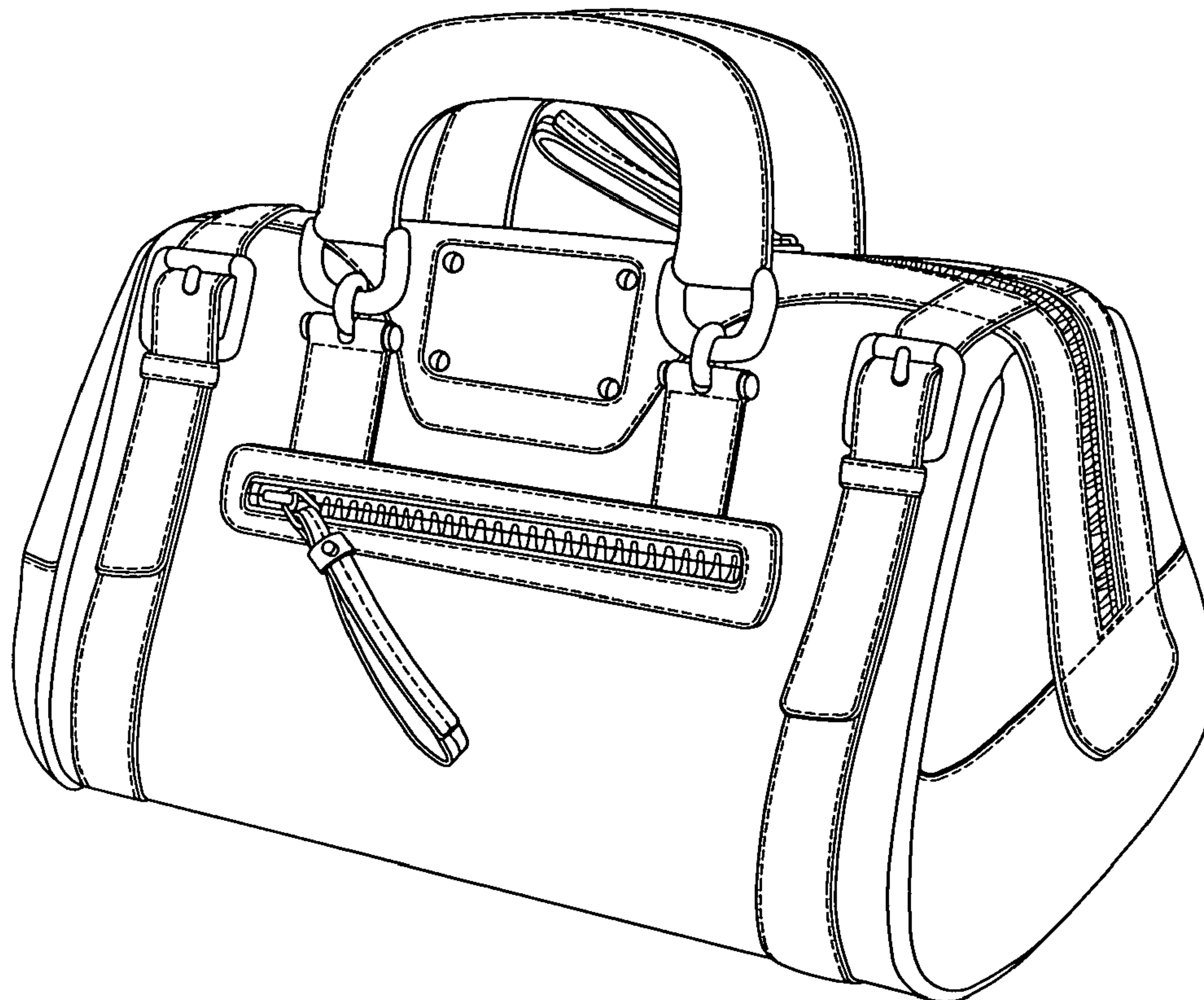
FIG. 5 is a bottom view thereof,

FIG. 6 is one side view thereof; and,

FIG. 7 is an opposite side view thereof.

The broken lines shown on the drawings represent stitching and are part of the claimed design.

1 Claim, 4 Drawing Sheets



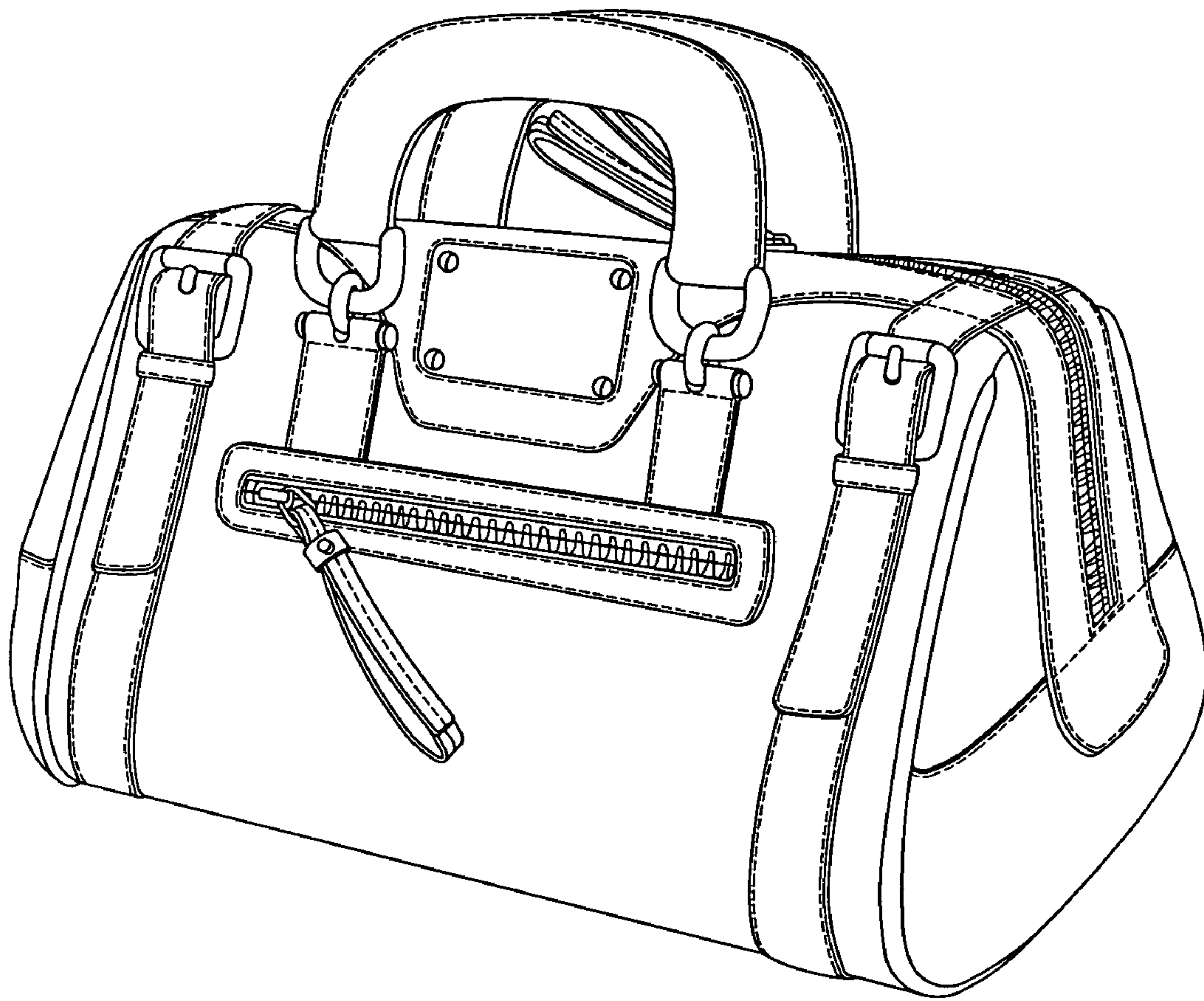


FIG. 1

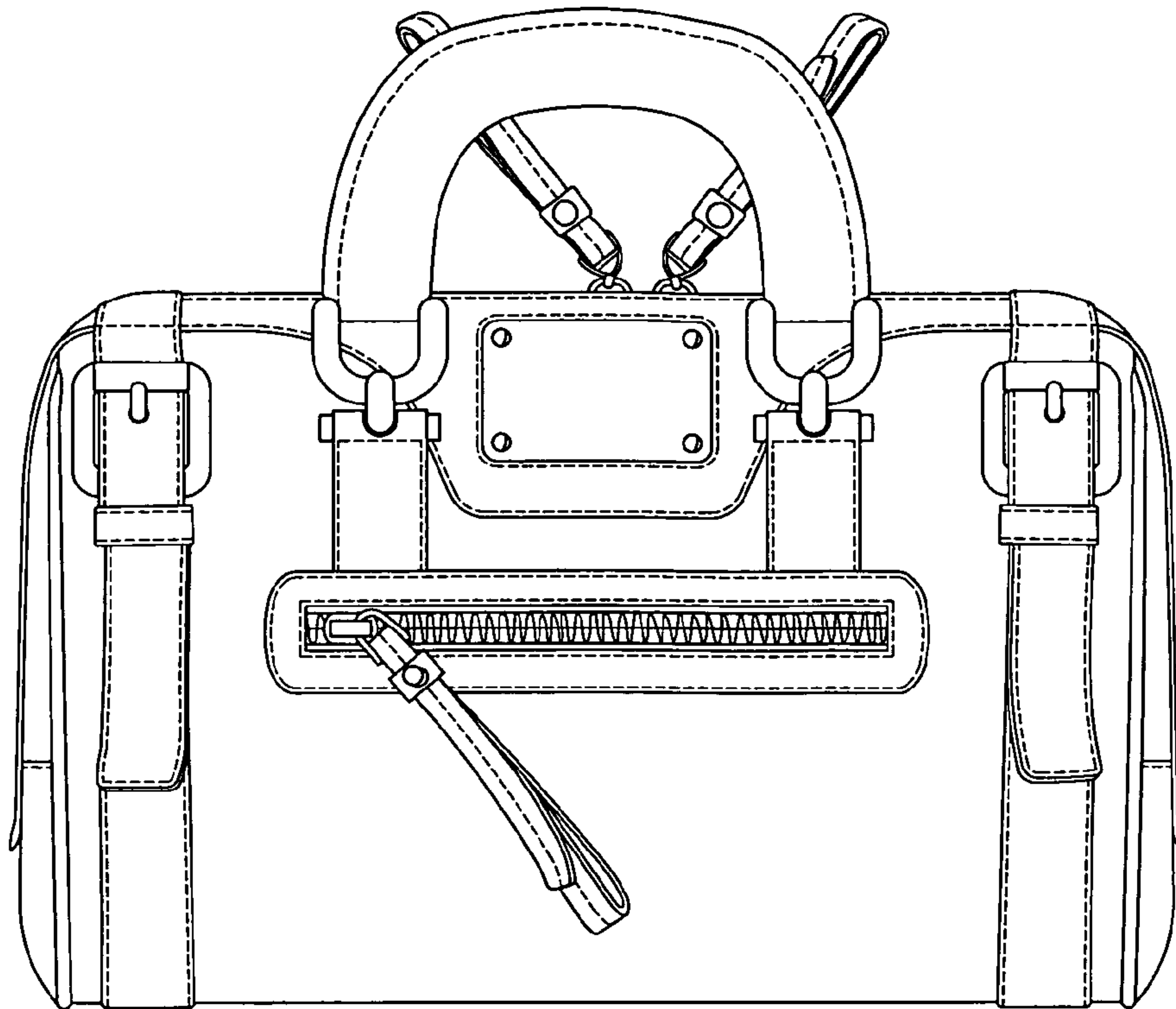


FIG. 2

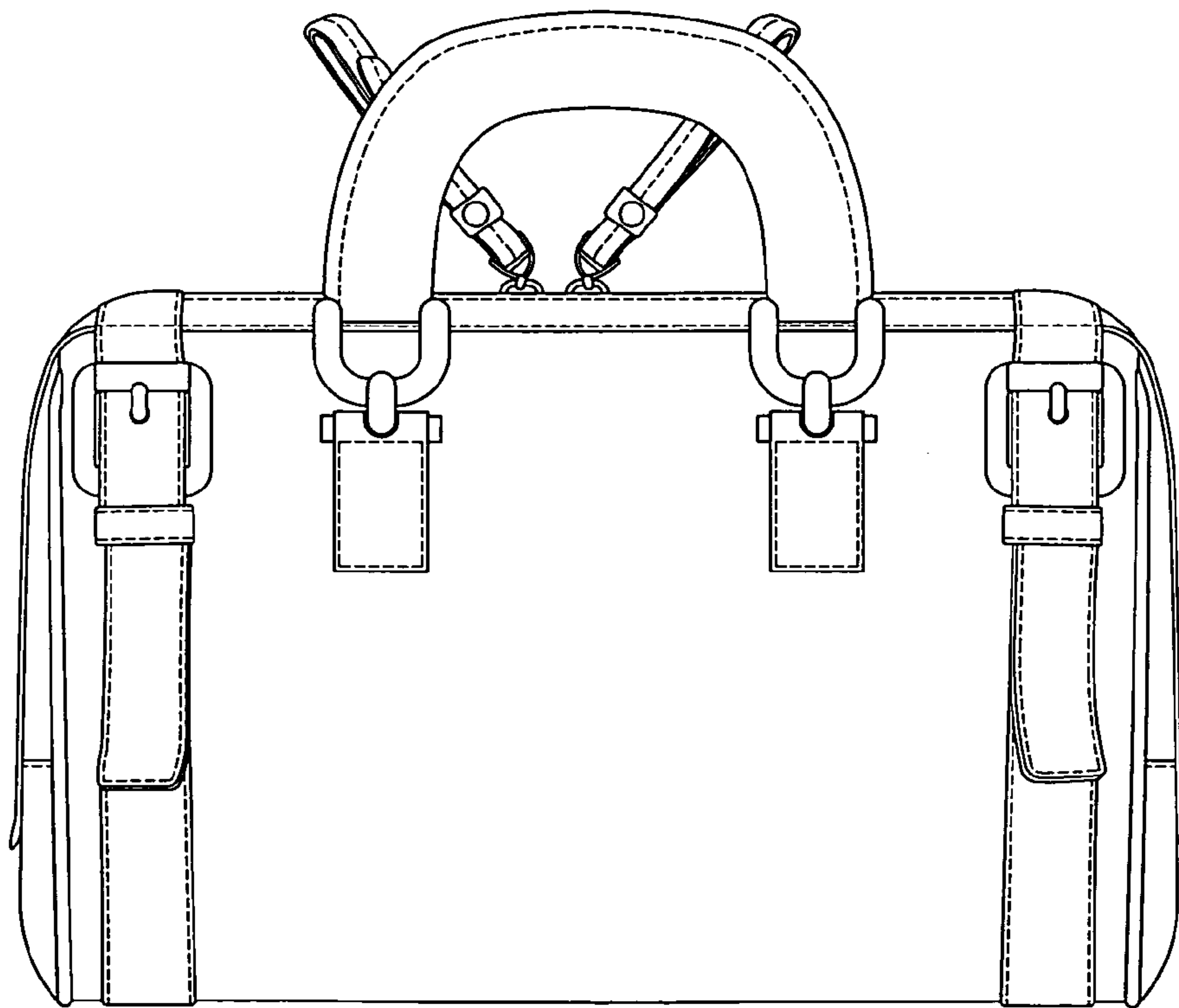


FIG. 3

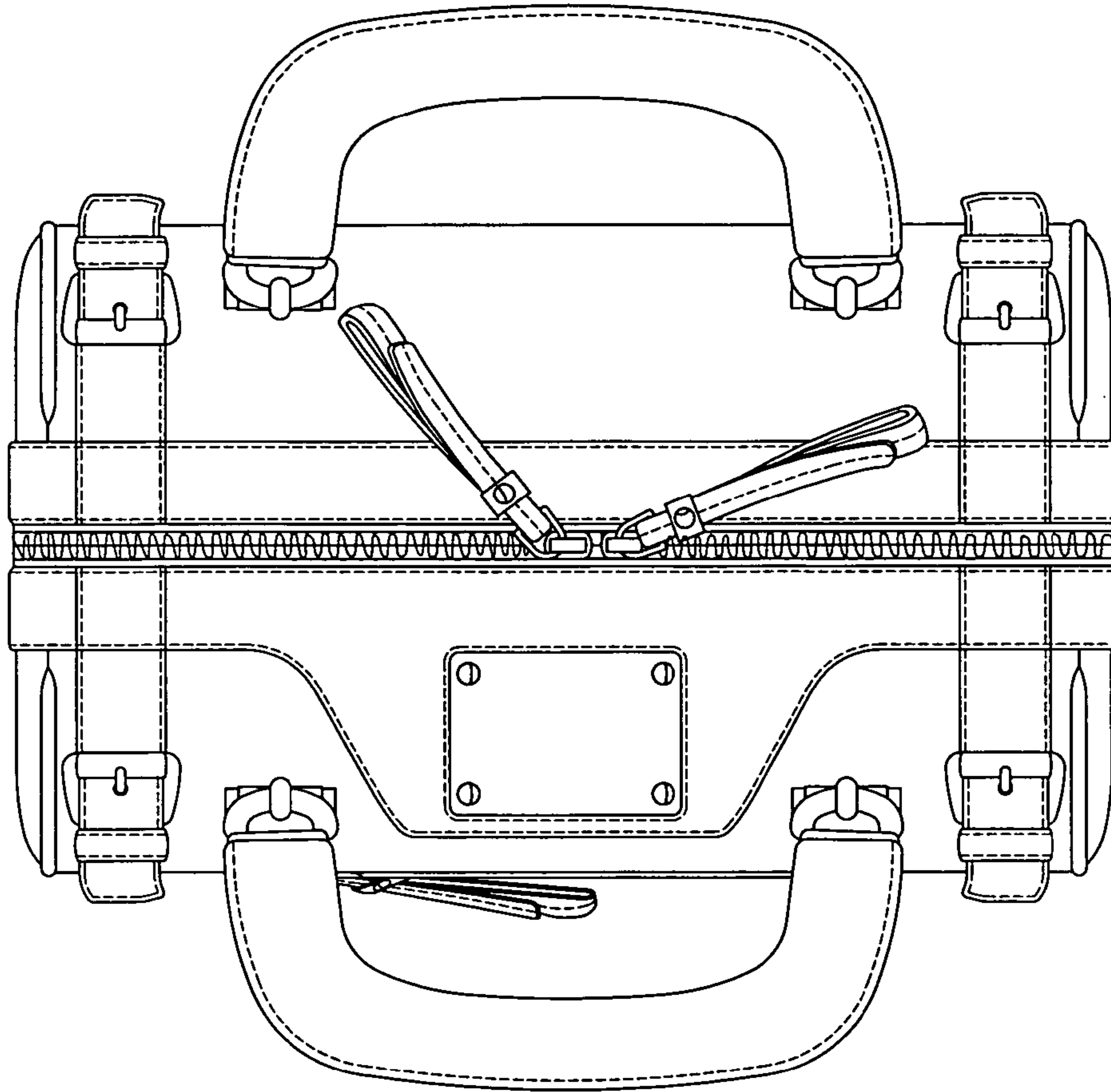


FIG. 4

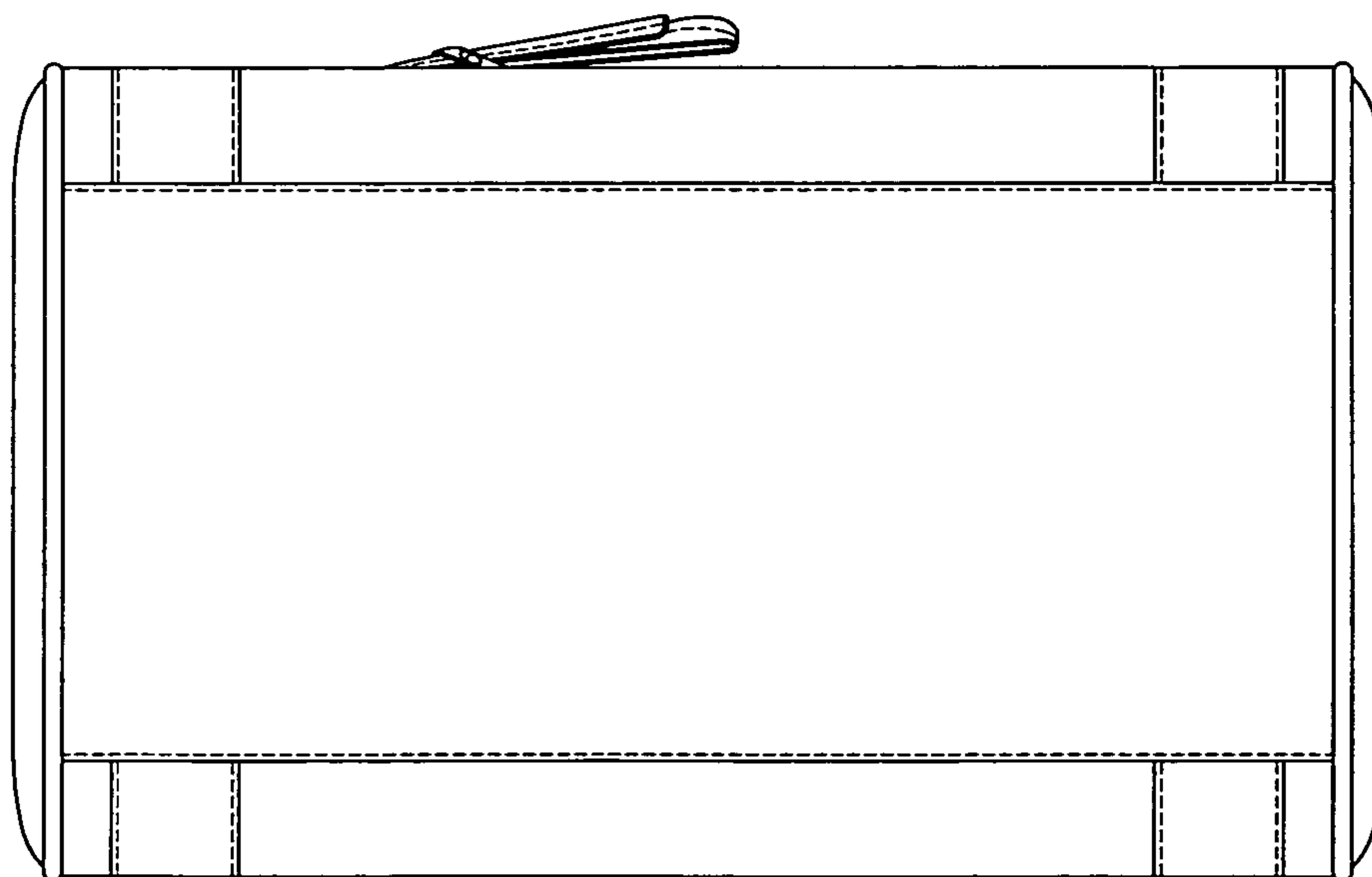


FIG. 5

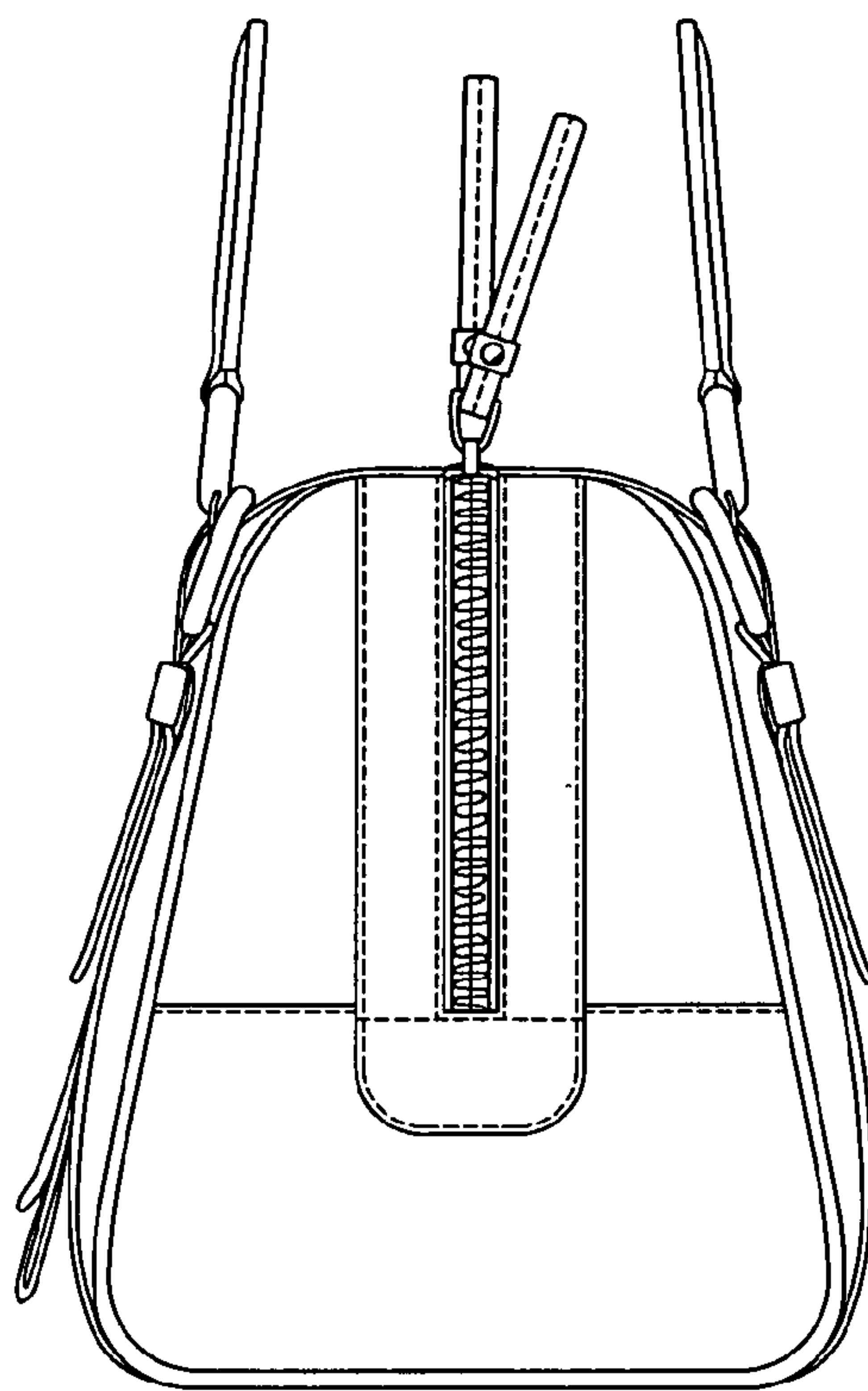


FIG. 6

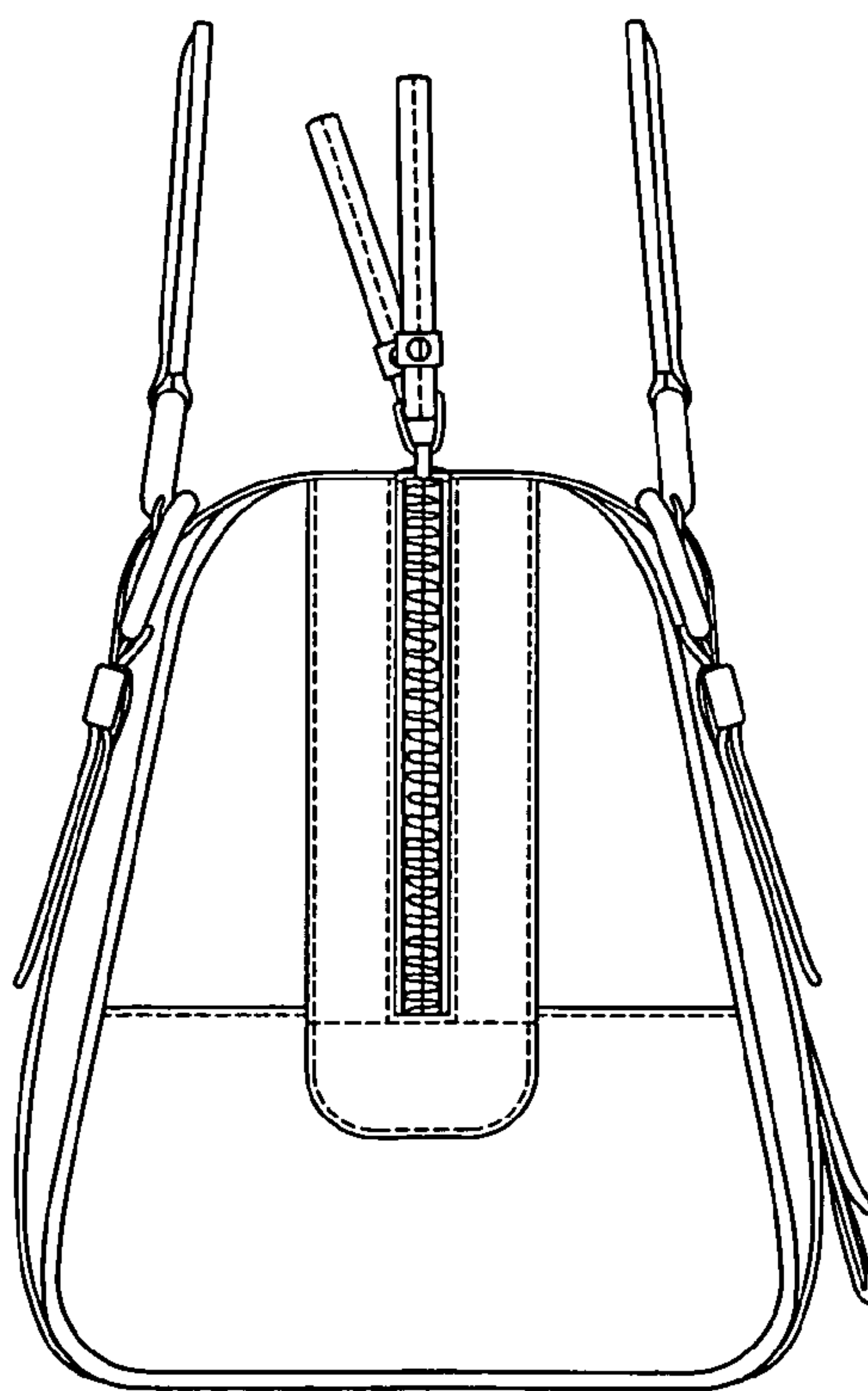


FIG. 7