



(12) **United States Design Patent**
Gates et al.

(10) **Patent No.:** **US D609,001 S**
(45) **Date of Patent:** **** Feb. 2, 2010**

(54) **COMMUNICATION DEVICE CARRIER** 7,194,087 B2 * 3/2007 Luginbill et al. 379/455

(75) Inventors: **Travis D. Gates**, Riverton, UT (US);
Stacey L. Gates, Riverton, UT (US)

(73) Assignee: **All Rite Products, Inc.**, West Jordan,
UT (US)

(**) Term: **14 Years**

(21) Appl. No.: **29/332,939**

(22) Filed: **Feb. 27, 2009**

* cited by examiner

Primary Examiner—Catherine R Oliver

(74) *Attorney, Agent, or Firm*—Thrope North & Western LLP

(57) **CLAIM**

The ornamental design for the communication device carrier,
as shown and described herein.

Related U.S. Application Data

(63) Continuation of application No. 12/393,855, filed on
Feb. 26, 2009.

(51) **LOC (9) Cl.** **03-01**

(52) **U.S. Cl.** **D3/218**

(58) **Field of Classification Search** D3/218,
D3/219, 215, 224, 221, 228; 224/929, 666,
224/683, 587; 379/454-455, 446, 575.9;
D14/250, 138; 455/575.1, 90.3

See application file for complete search history.

(56) **References Cited**

U.S. PATENT DOCUMENTS

D449,930 S * 11/2001 Austin D3/228

DESCRIPTION

FIG. 1 is a top and front perspective view of the communica-
tion device carrier showing our new design;

FIG. 2 is a front view thereof;

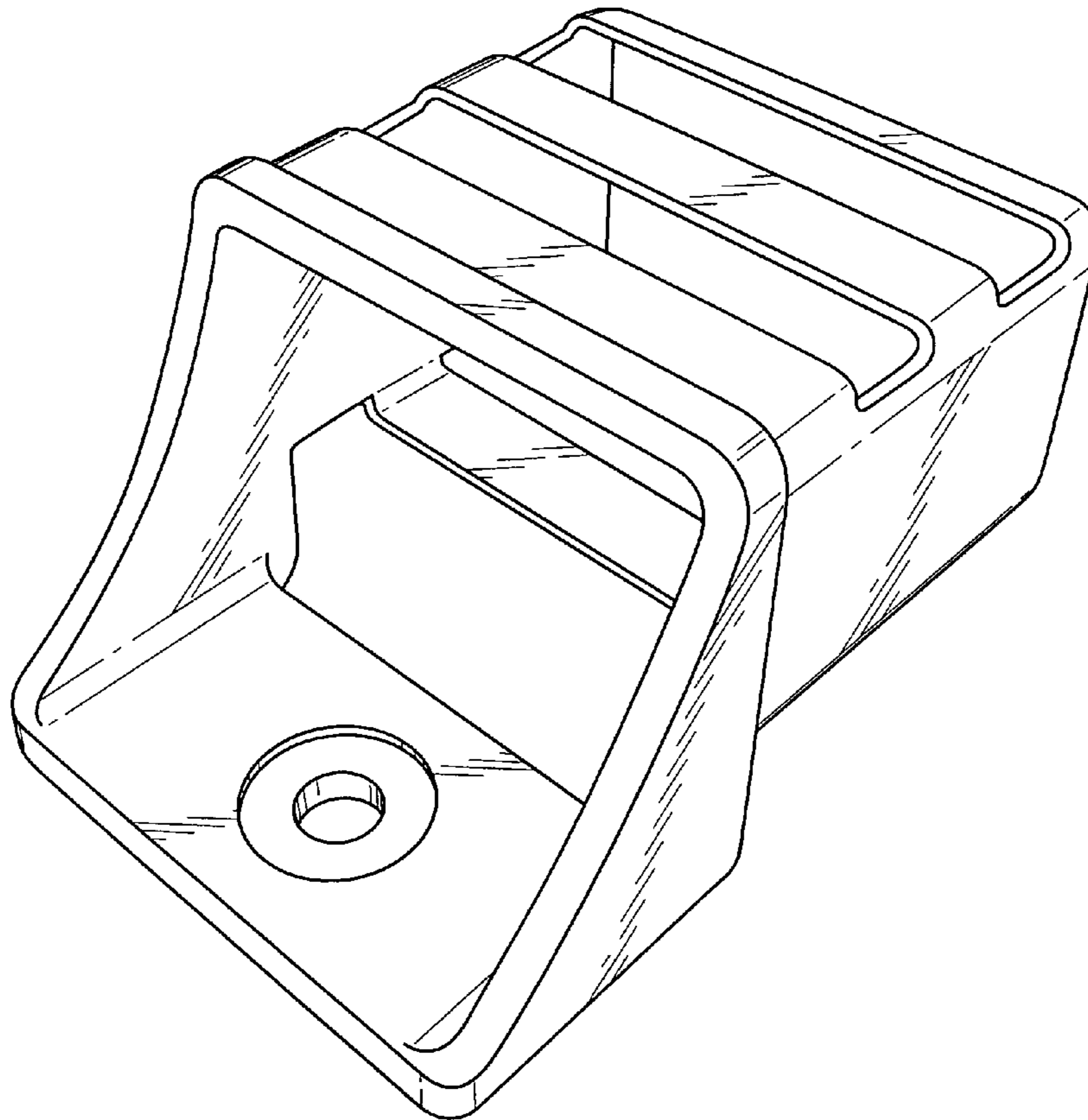
FIG. 3 is a rear view thereof;

FIG. 4 is a top view thereof;

FIG. 5 is a bottom view thereof; and,

FIG. 6 is a side view, with the opposite side being a mirror
image thereof.

1 Claim, 5 Drawing Sheets



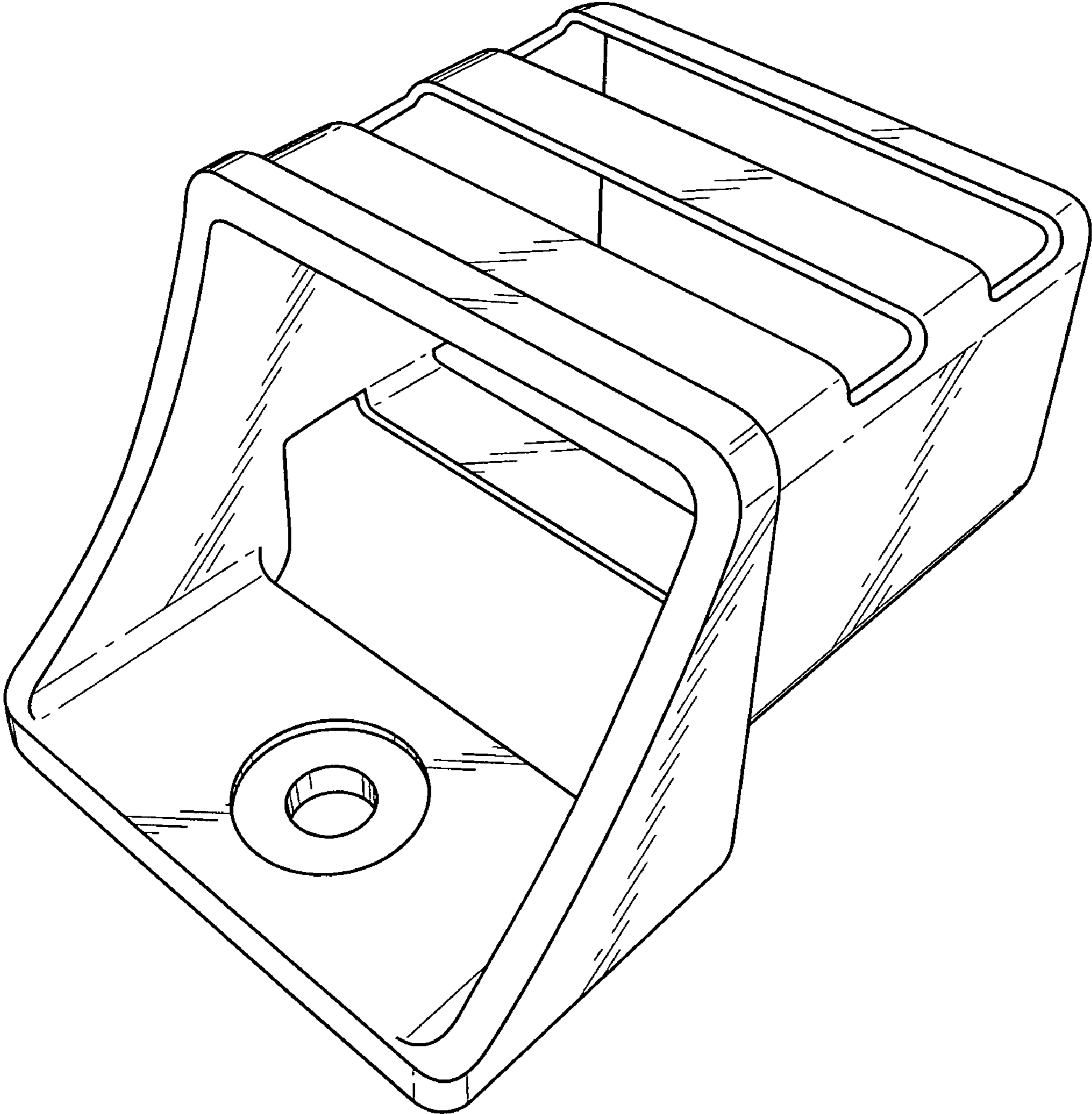


Fig. 1

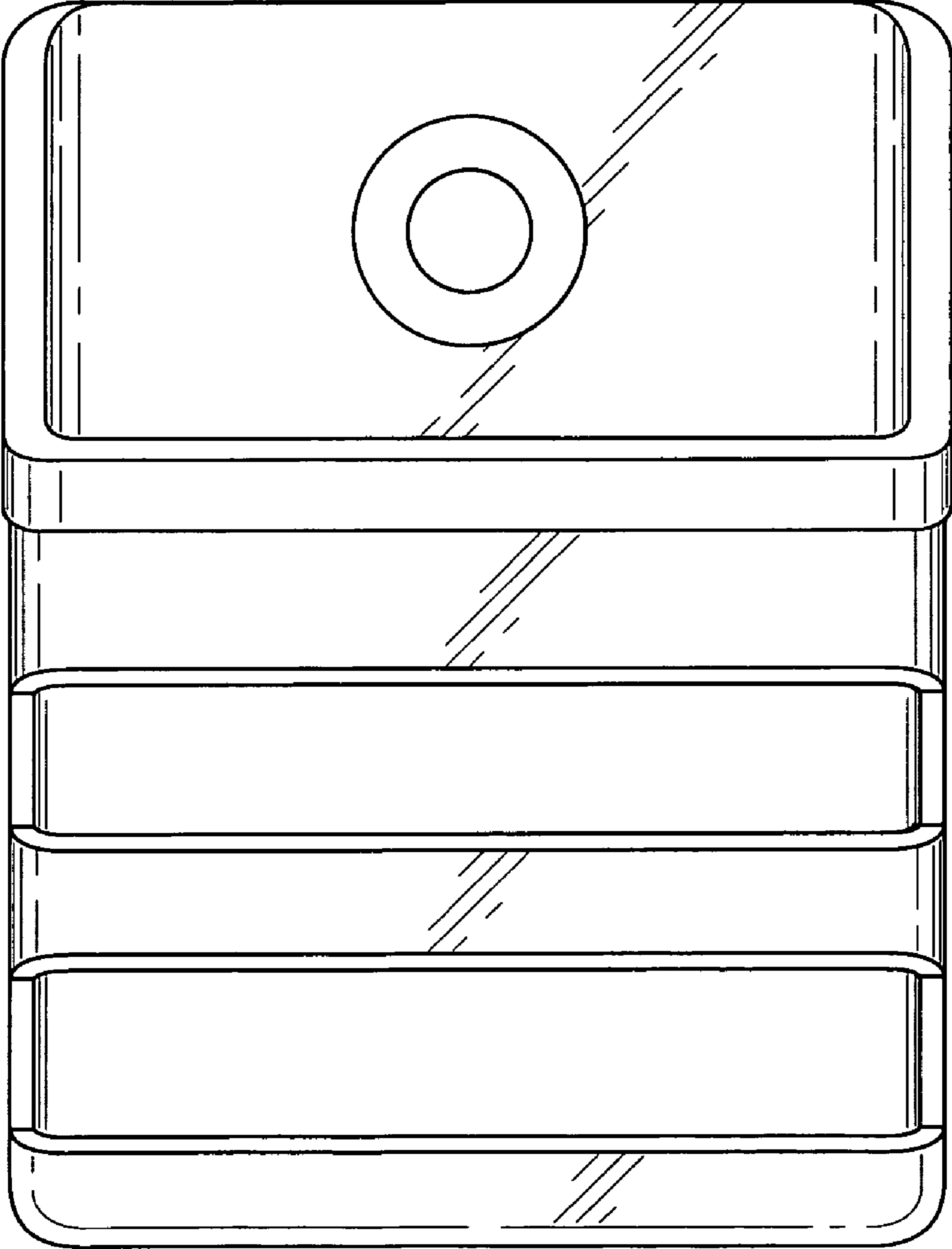


Fig. 2

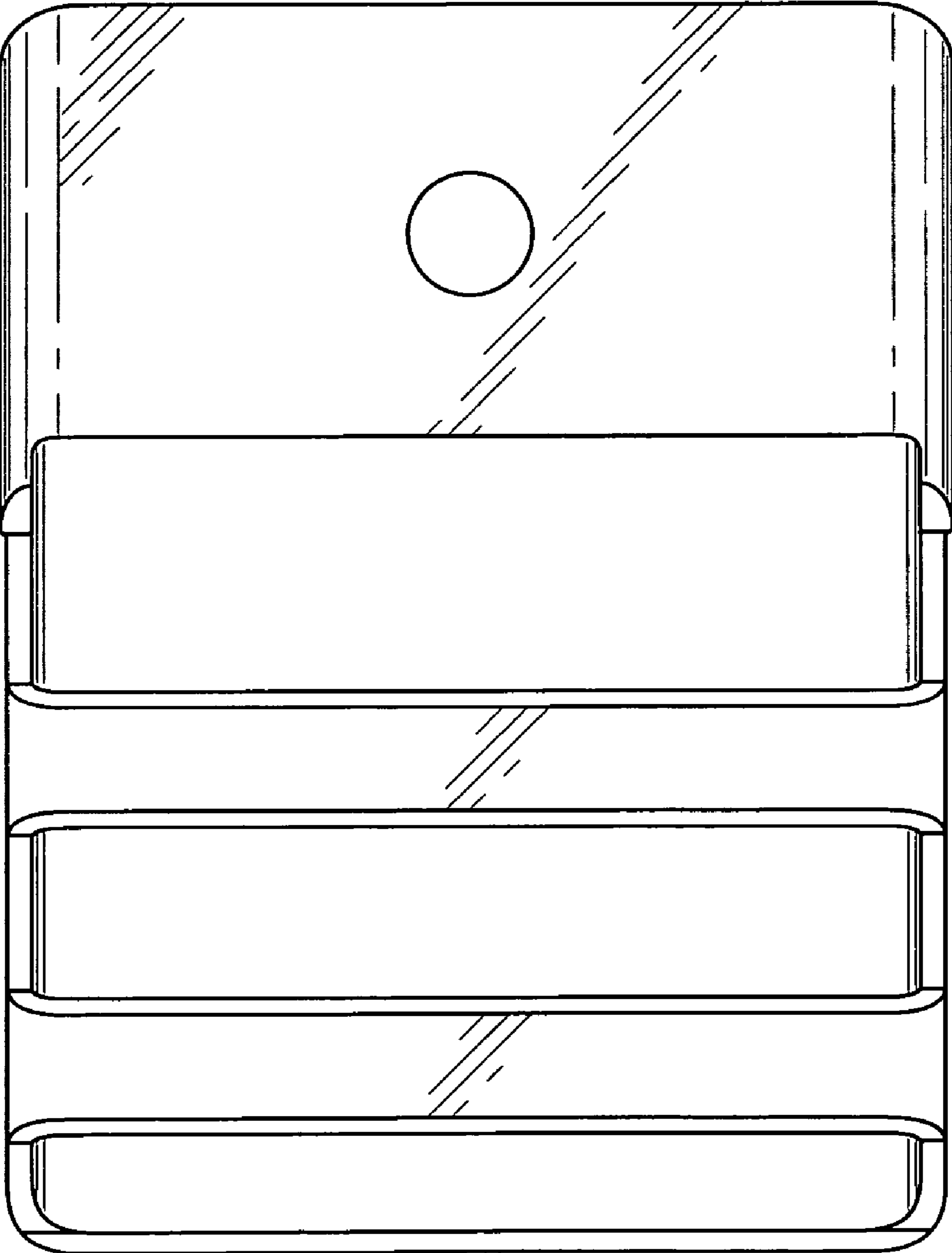


Fig. 3

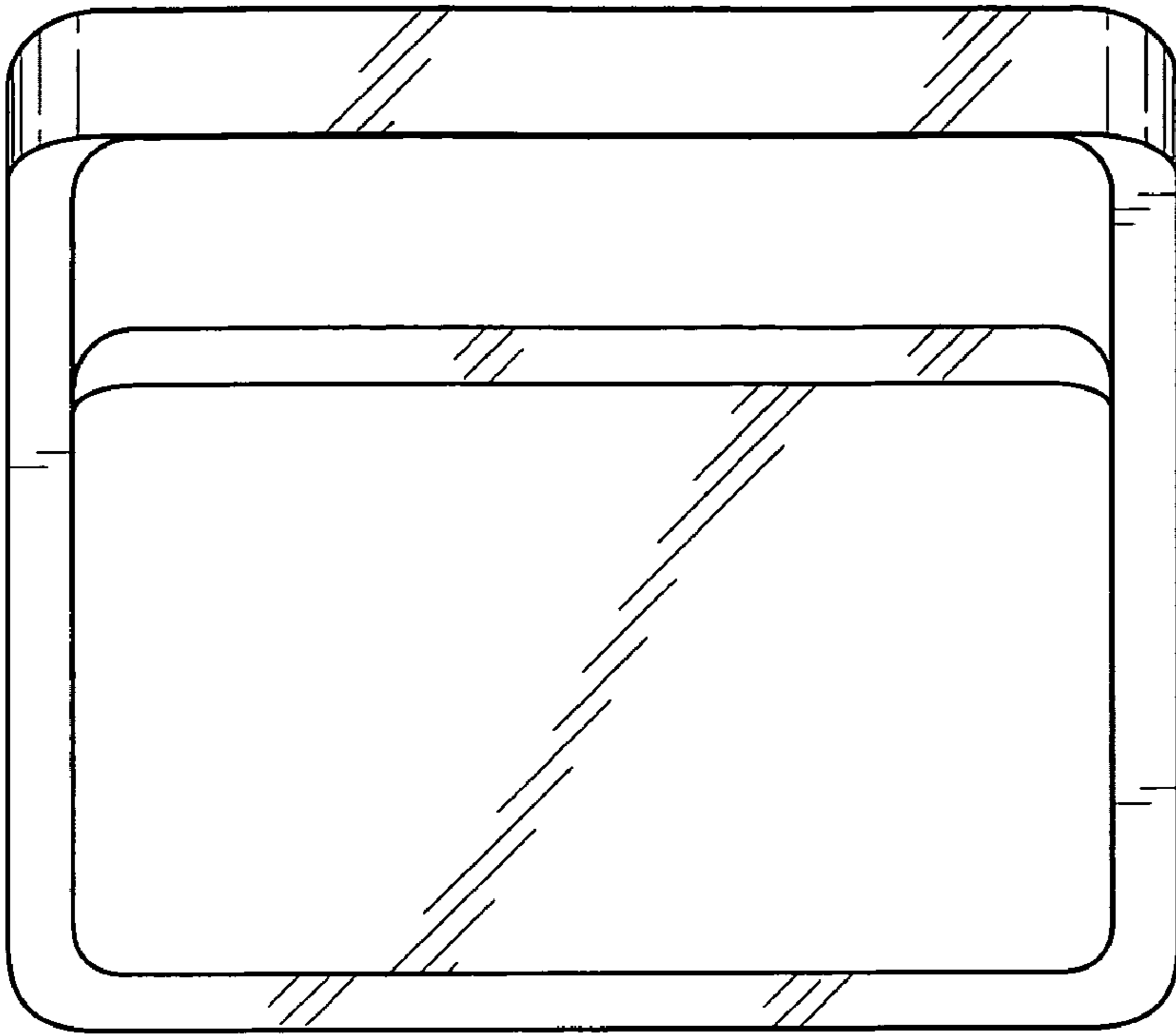


Fig. 4

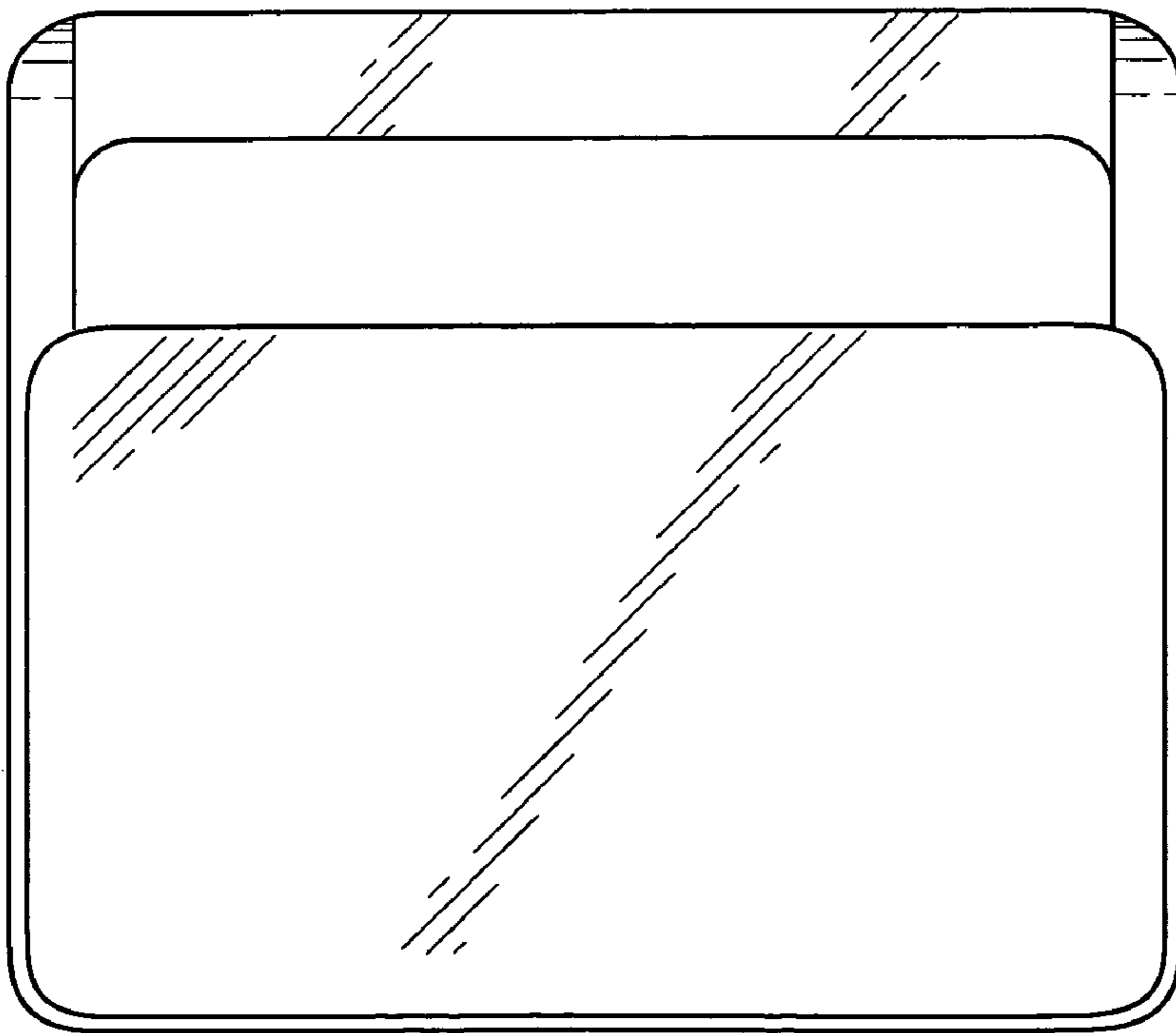


Fig. 5

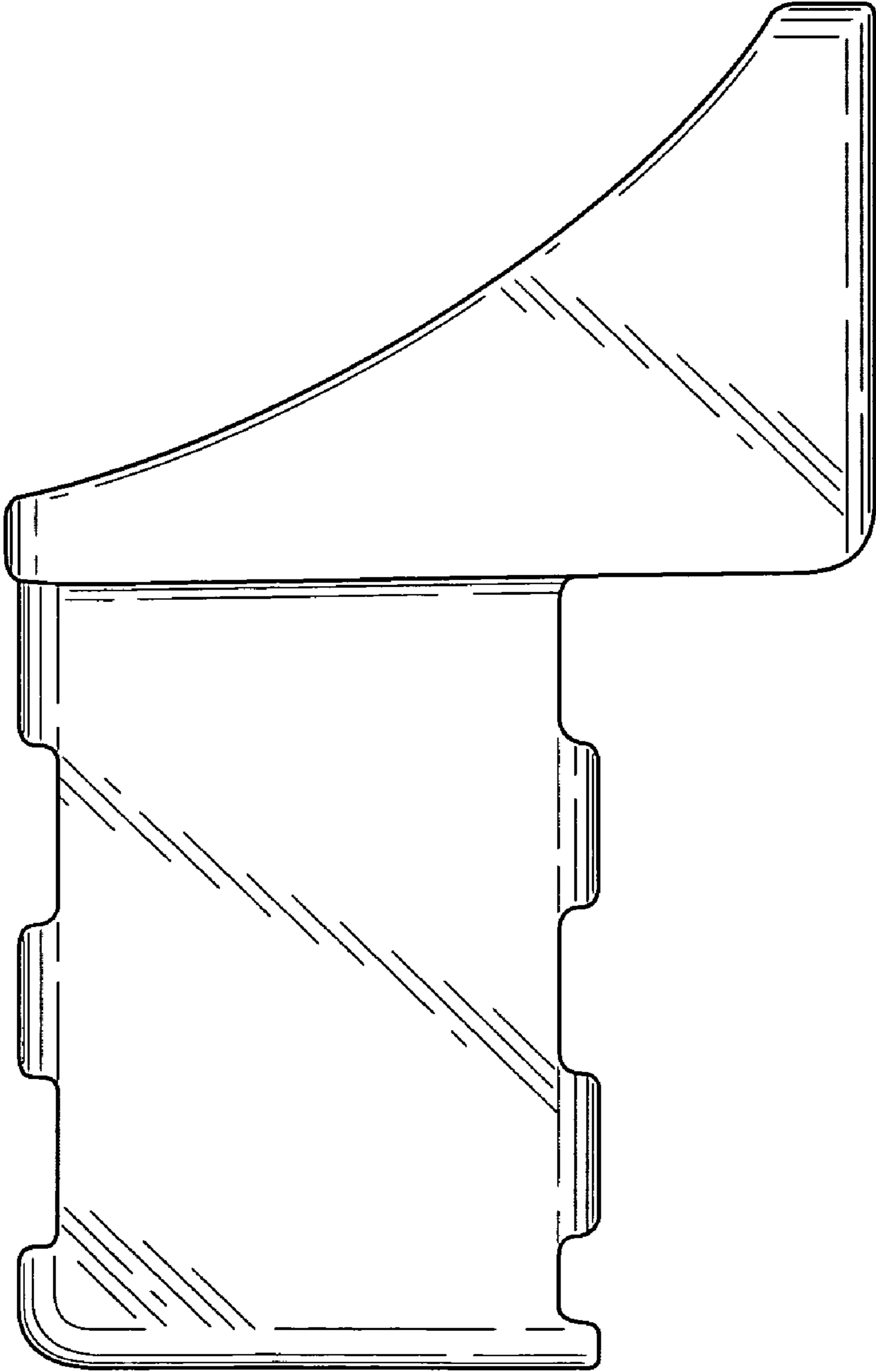


Fig. 6