



US00D608999S

(12) **United States Design Patent**
McClaskie

(10) **Patent No.:** **US D608,999 S**

(45) **Date of Patent:** **** Feb. 2, 2010**

(54) **SHOE**

(75) Inventor: **Thomas E. McClaskie**, Bethlehem, PA
(US)

(73) Assignee: **Columbia Insurance Company**,
Omaha, NE (US)

(**) Term: **14 Years**

(21) Appl. No.: **29/337,008**

(22) Filed: **May 13, 2009**

(51) **LOC (9) Cl.** **02-04**

(52) **U.S. Cl.** **D2/959; D2/951; D2/952;**
D2/953

(58) **Field of Classification Search** D2/947,
D2/951, 952, 953, 957, 959, 960; 36/3 B,
36/22 R, 24.5, 25 R, 67 A, 59 C, 103
See application file for complete search history.

(56) **References Cited**

U.S. PATENT DOCUMENTS

D302,901 S	*	8/1989	Mitsui	D2/959
D322,510 S	*	12/1991	Miller	D2/955
D324,448 S	*	3/1992	Blissett	D2/953
D403,143 S	*	12/1998	Gillespie	D2/952
5,915,820 A	*	6/1999	Kraeuter et al.	36/114
D433,790 S	*	11/2000	Oliver	D2/957
D441,176 S	*	5/2001	Dean	D2/959
D449,428 S	*	10/2001	McClaskie	D2/957
D459,064 S		6/2002	McClaskie		
D460,249 S	*	7/2002	Yang	D2/959
D461,298 S		8/2002	Urie et al.		
D468,083 S		1/2003	Morais		
D474,584 S	*	5/2003	Matis	D2/953
D495,858 S		9/2004	McClaskie		
D499,239 S	*	12/2004	Burg et al.	D2/959
D501,707 S		2/2005	Nakano		
D507,397 S		7/2005	McClaskie		
D508,160 S	*	8/2005	Sonnergren	D2/953

D511,608 S	*	11/2005	Carnes	D2/908
D543,679 S	*	6/2007	Edwards	D2/959
D545,035 S	*	6/2007	Roulo	D2/959
D548,438 S		8/2007	McClaskie		
D550,431 S	*	9/2007	Schoenborn et al.	D2/952
D554,840 S		11/2007	McClaskie		
D566,381 S	*	4/2008	Nakano et al.	D2/959
D591,943 S	*	5/2009	Recchi	D2/953
D594,195 S	*	6/2009	Nakano	D2/957
D595,036 S	*	6/2009	Link	D2/957
D597,288 S	*	8/2009	McClaskie	D2/959
D599,986 S	*	9/2009	Reiss	D2/947
2005/0268491 A1	*	12/2005	McDonald et al.	36/28

* cited by examiner

Primary Examiner—Celia A Murphy

(74) *Attorney, Agent, or Firm*—St. Onge Steward Johnston &
Reens LLC

(57) **CLAIM**

The ornamental design for a shoe, as shown and described.

DESCRIPTION

FIG. 1 is a bottom perspective view of a shoe in accordance with my new design;

FIG. 2 is a bottom view thereof;

FIG. 3 is a top view thereof;

FIG. 4 is a right side view thereof;

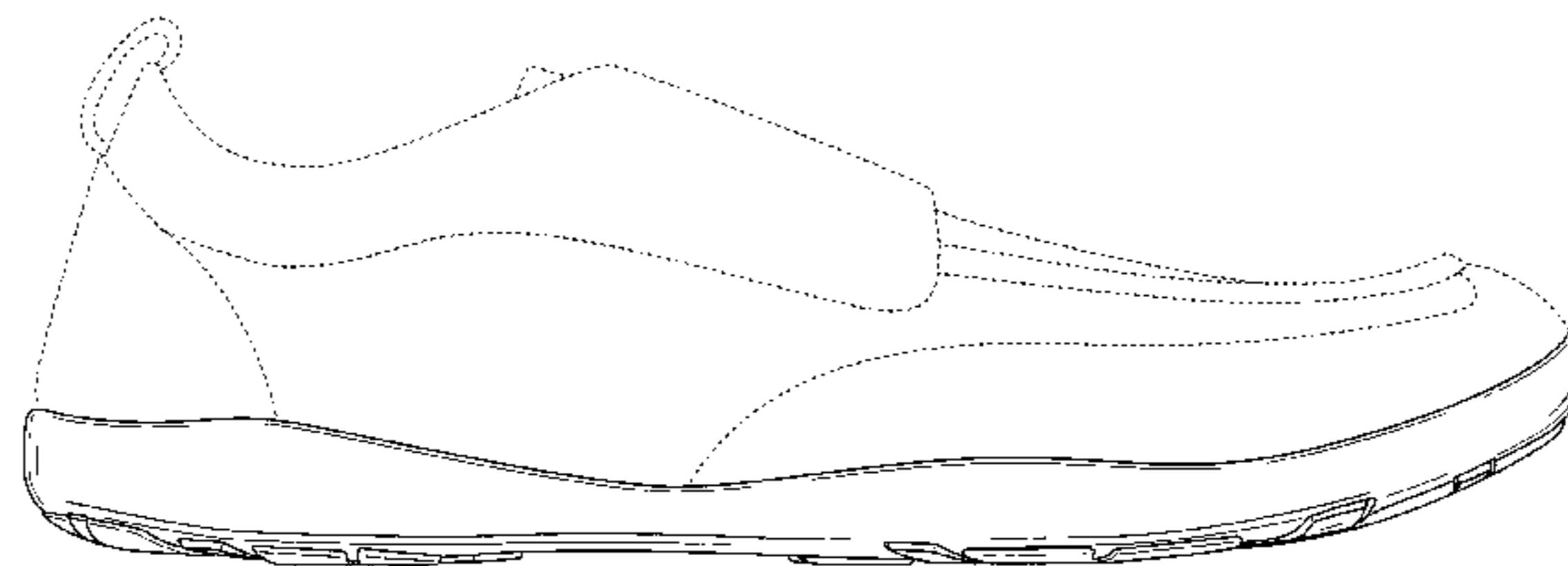
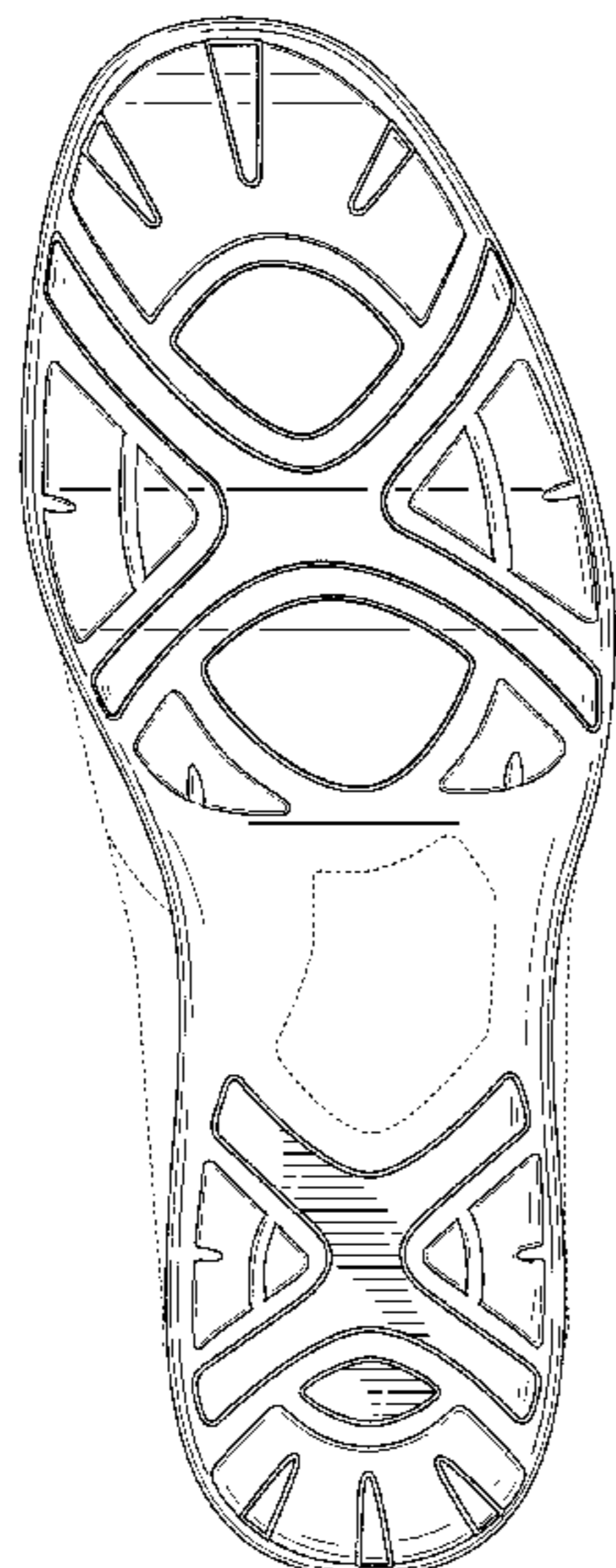
FIG. 5 is a left side view thereof;

FIG. 6 is a front view thereof; and,

FIG. 7 is a rear view thereof.

The shoe upper shown in broken lines in FIGS. 1–7 is for environmental purposes only and forms no part of the claimed design. The broken lines shown in each arch area of FIGS. 1 and 2 represent boundaries of the design with the lines themselves and the areas within them forming no part of the claim.

1 Claim, 6 Drawing Sheets



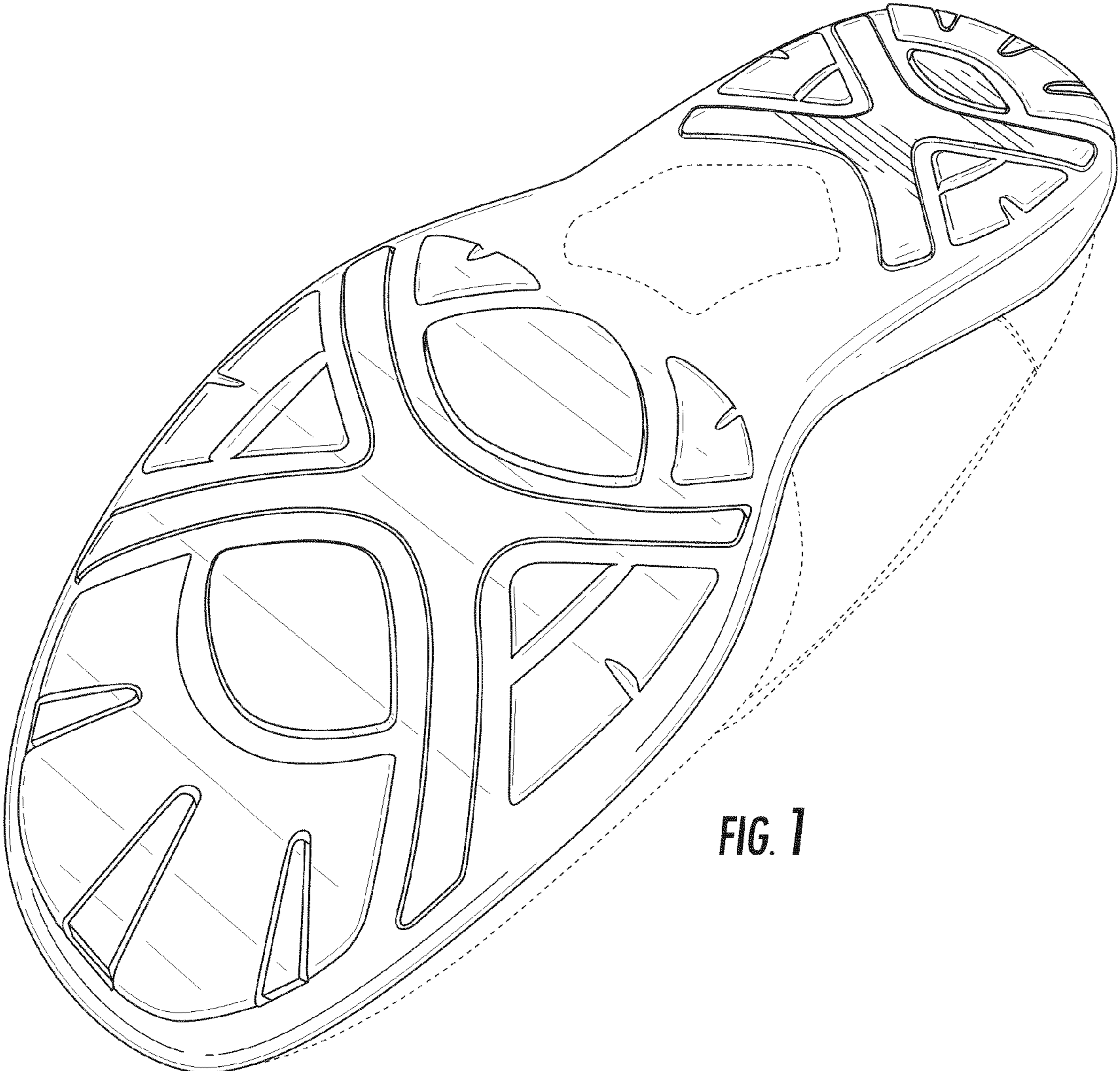


FIG. 1

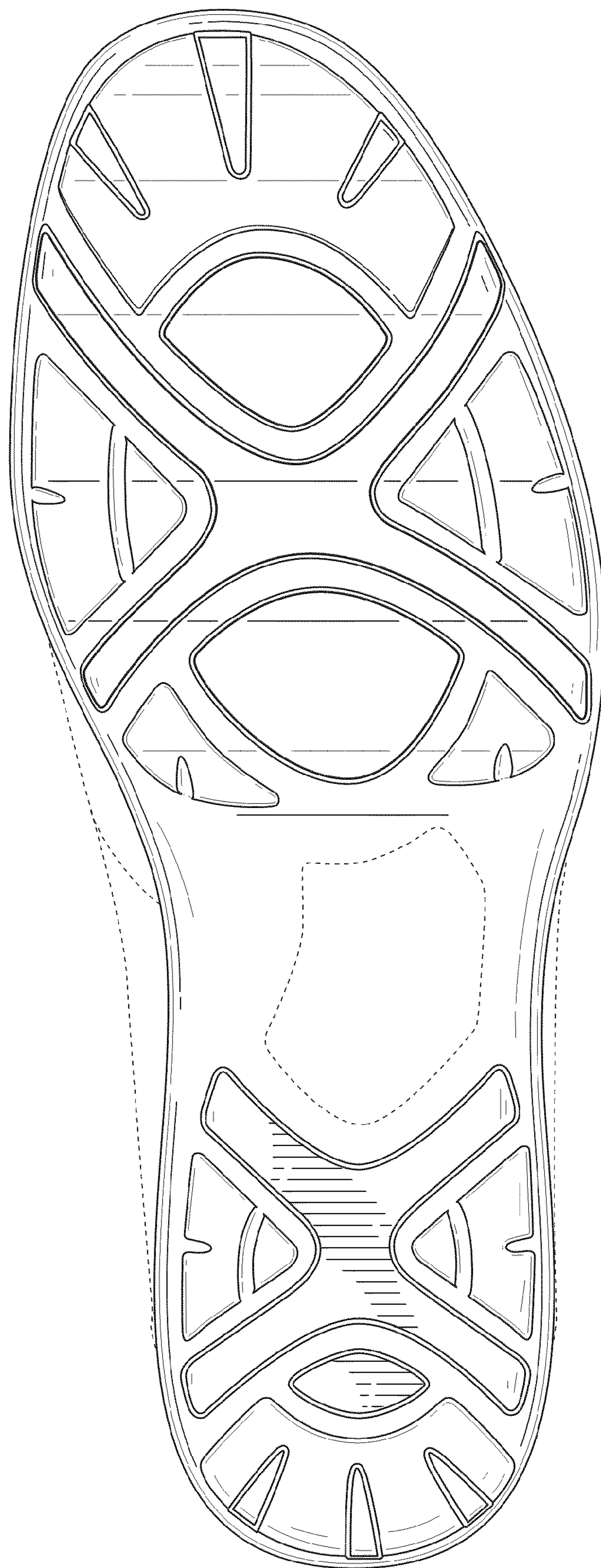


FIG. 2

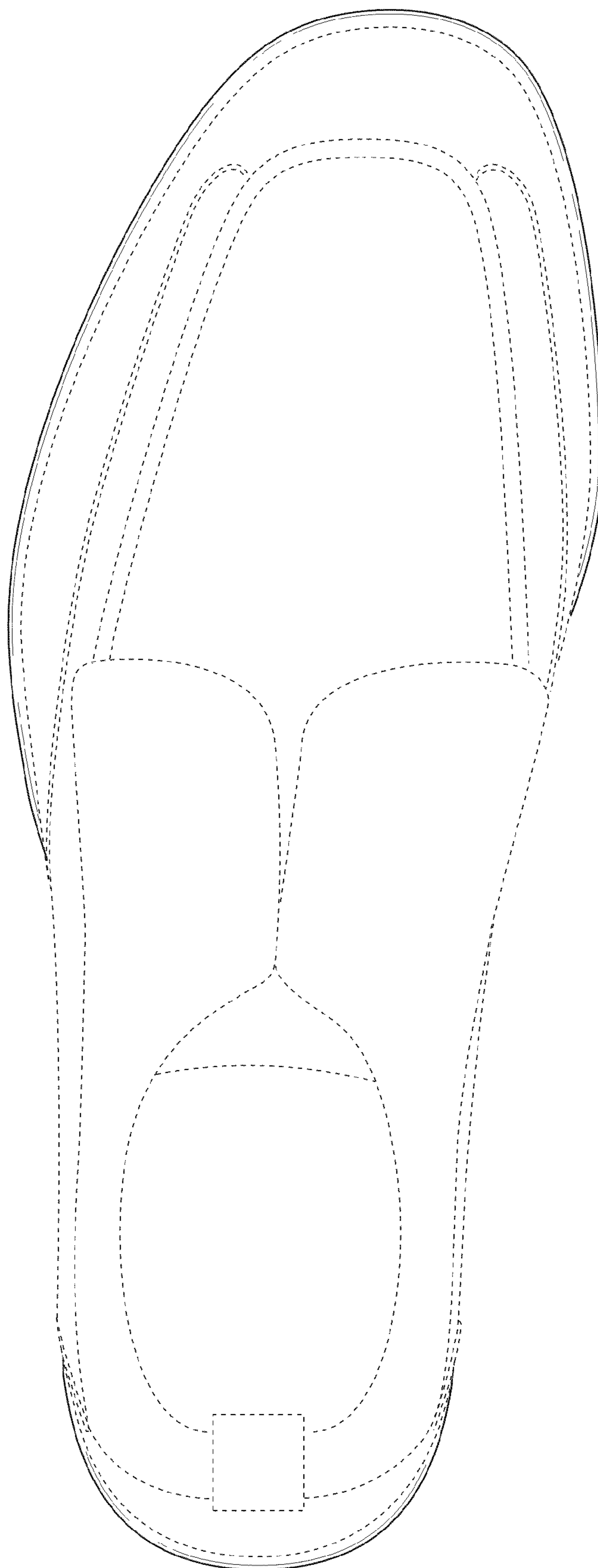


FIG. 3

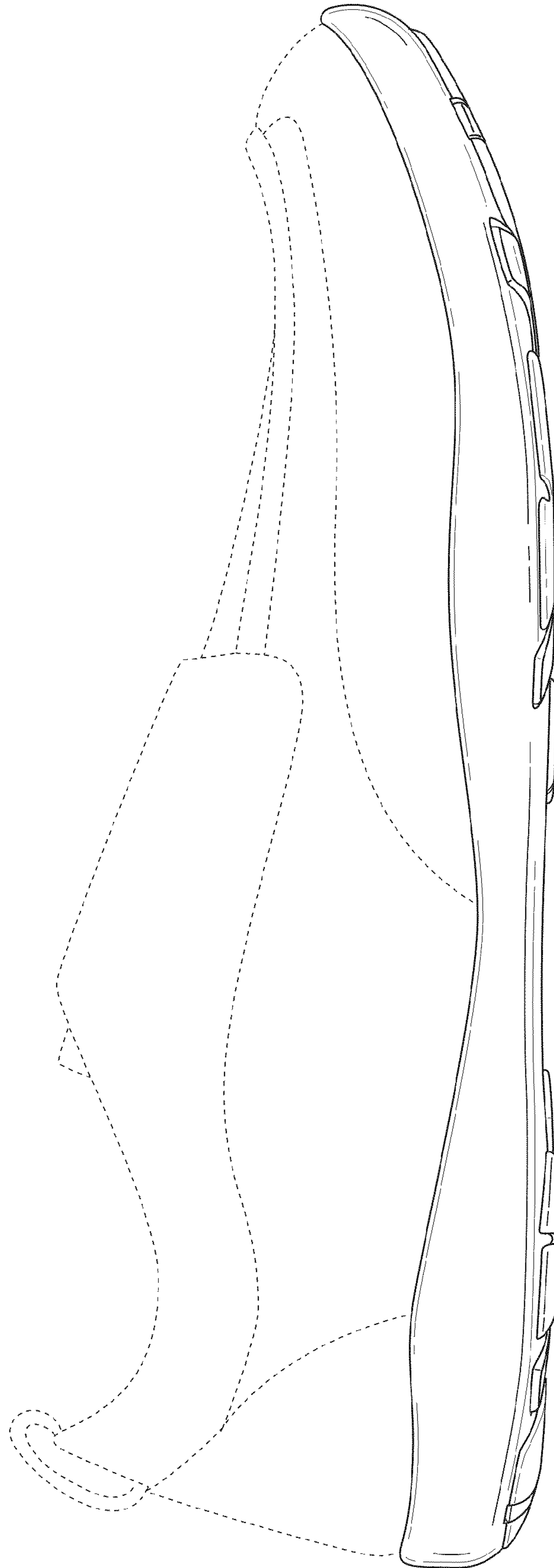


FIG. 4

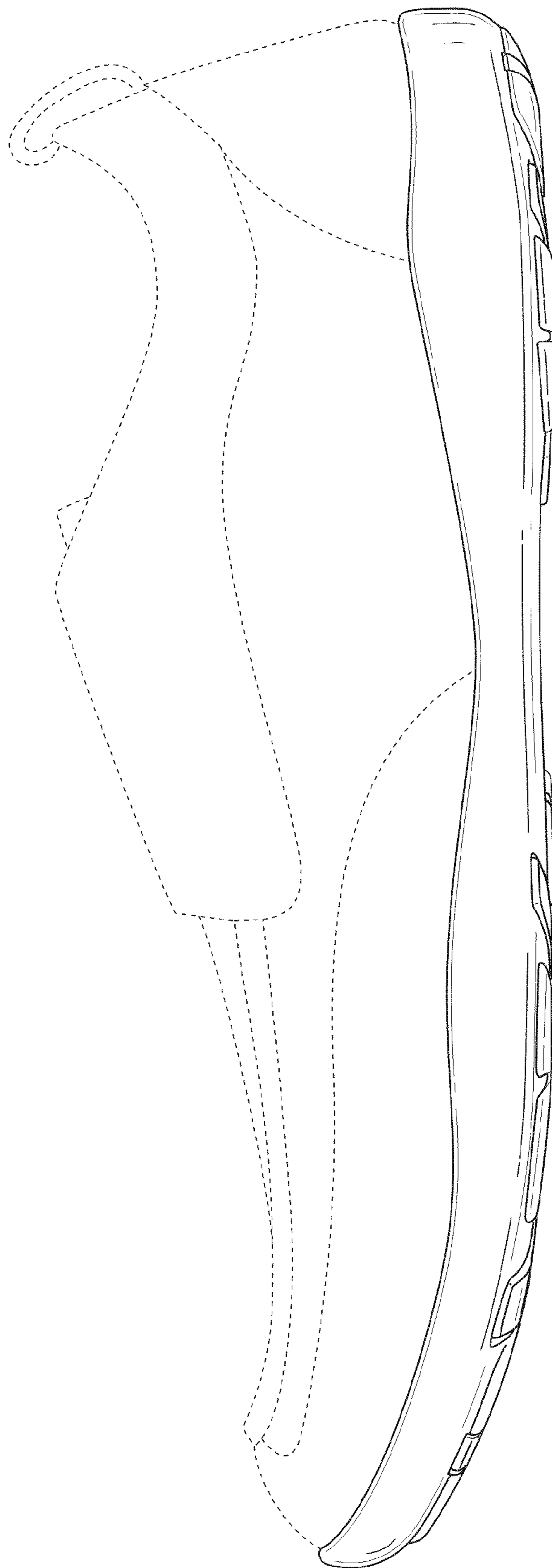


FIG. 5

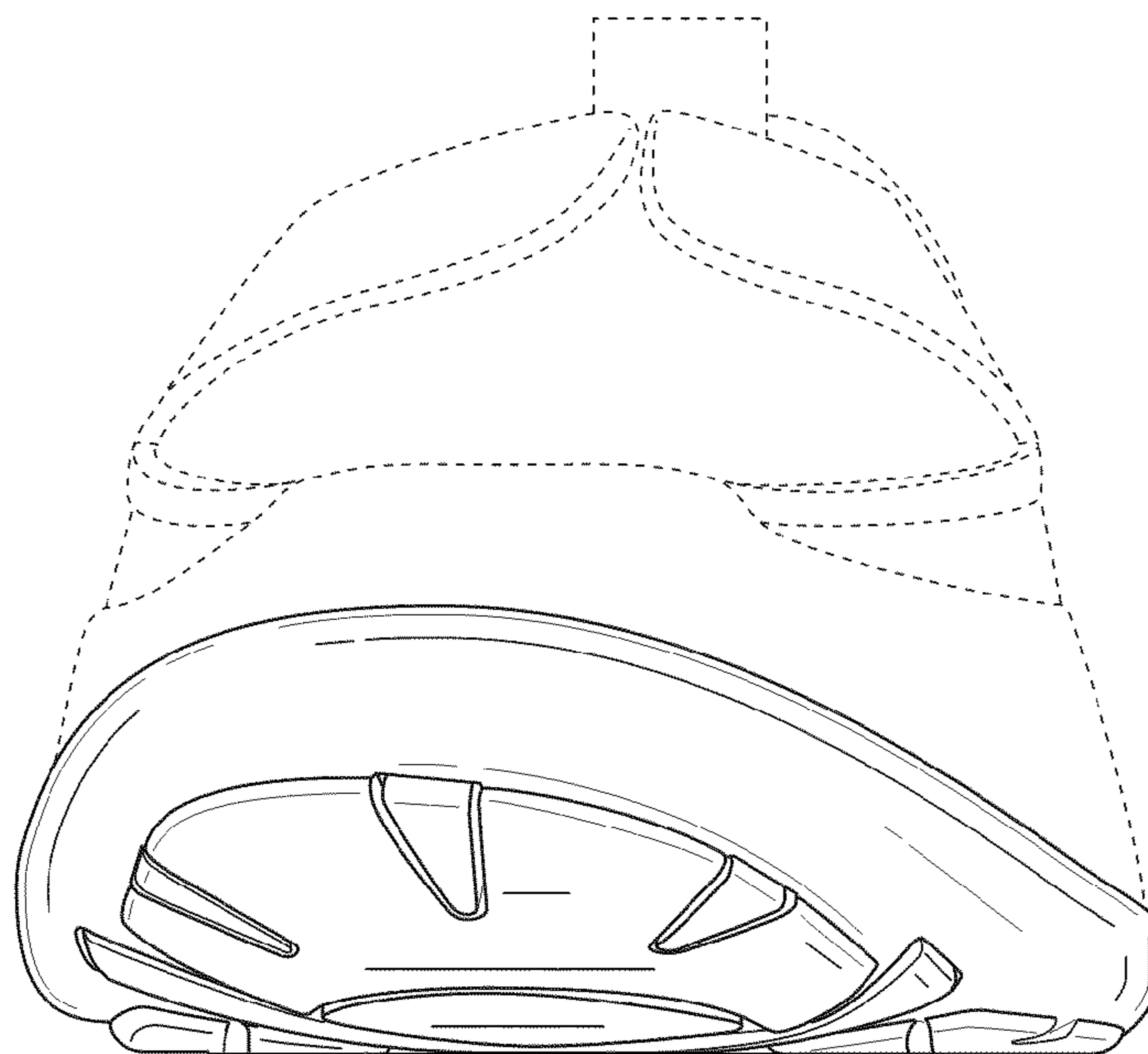


FIG. 6

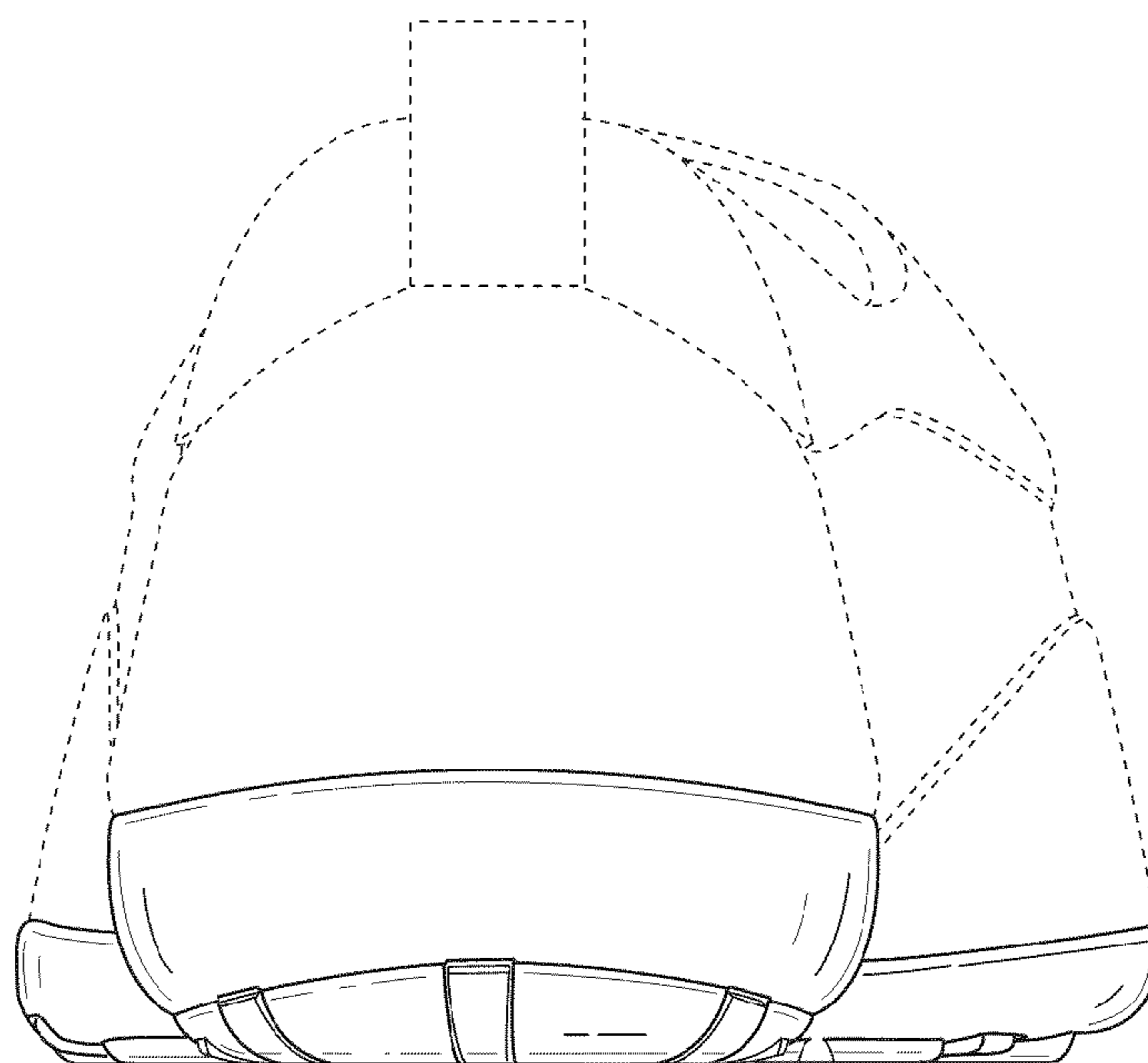


FIG. 7