



US00D608976S

(12) **United States Design Patent**  
**Colman et al.**

(10) **Patent No.:** **US D608,976 S**  
(45) **Date of Patent:** **\*\* Feb. 2, 2010**

(54) **DUAL COLORED CHEWING GUM**

(75) Inventors: **Arne Benjamin Colman**, Newark (GB);  
**Christopher Raymond Eagleton**,  
Prestwood (GB); **Marc Paul Lorenzi**,  
Egham (GB); **Matthew John Masters**,  
Ottershaw (GB)

(73) Assignee: **The Procter & Gamble Company**,  
Cincinnati, OH (US)

(\*\*) Term: **14 Years**

(21) Appl. No.: **29/301,062**

(22) Filed: **Feb. 7, 2008**

(30) **Foreign Application Priority Data**

Aug. 10, 2000 (EM) ..... 000773155-01  
Aug. 10, 2000 (EM) ..... 000773155-0004

(51) **LOC (9) Cl.** ..... **01-01**

(52) **U.S. Cl.** ..... **D1/106**

(58) **Field of Classification Search** ..... D1/100-101,  
D1/104, 106, 121, 125, 127-128, 199; D21/386;  
D24/101, 104; D28/8.1; 426/76, 87, 103,  
426/104, 122, 144, 660, 512, 515, 383  
See application file for complete search history.

(56) **References Cited**

**U.S. PATENT DOCUMENTS**

D250,880 S \* 1/1979 Stone et al. .... D9/707  
D269,712 S \* 7/1983 Tovey ..... D24/101  
D269,722 S \* 7/1983 Tovey ..... D24/101  
D269,723 S \* 7/1983 Tovey ..... D24/101  
D271,536 S \* 11/1983 Siecke ..... D1/127  
D286,085 S \* 10/1986 Tovey ..... D24/101  
D310,440 S \* 9/1990 Puglisi et al. .... D1/127  
D314,855 S \* 2/1991 Puglisi et al. .... D1/127  
D316,760 S \* 5/1991 Golden et al. .... D28/4  
D318,558 S \* 7/1991 Piano ..... D1/127  
D365,875 S \* 1/1996 Bradbury et al. .... D24/101  
D405,879 S \* 2/1999 Leonard ..... D24/101  
D437,671 S \* 2/2001 Fajerstein ..... D1/106

D444,914 S \* 7/2001 Friesenhahn ..... D28/8.1  
D465,303 S \* 11/2002 Friesenhahn ..... D28/8.1  
D468,861 S \* 1/2003 Kosub ..... D28/8.1  
D474,857 S \* 5/2003 McLeish ..... D28/8.1

(Continued)

**FOREIGN PATENT DOCUMENTS**

DE 0M9805618.0005 2/1999

(Continued)

**OTHER PUBLICATIONS**

<http://www.chiclemascaramelo.com/>.

*Primary Examiner*—Cathron C Brooks

*Assistant Examiner*—Barbara Fox

(74) *Attorney, Agent, or Firm*—Cynthia L. Clay; Kelly L.  
McDow; Karen F. Clark

(57) **CLAIM**

The ornamental design for a dual colored chewing gum, as shown and described.

**DESCRIPTION**

The application file contains at least one drawing executed in color. Copies of this patent or patent application publication with color drawing(s) will be provided by the Office upon request and payment of the necessary fee.

FIG. 1 is a front perspective view of a dual colored chewing gum showing our new design;

FIG. 2 is a front elevational view thereof;

FIG. 3 is a rear elevational view thereof;

FIG. 4 is a left side elevational view thereof;

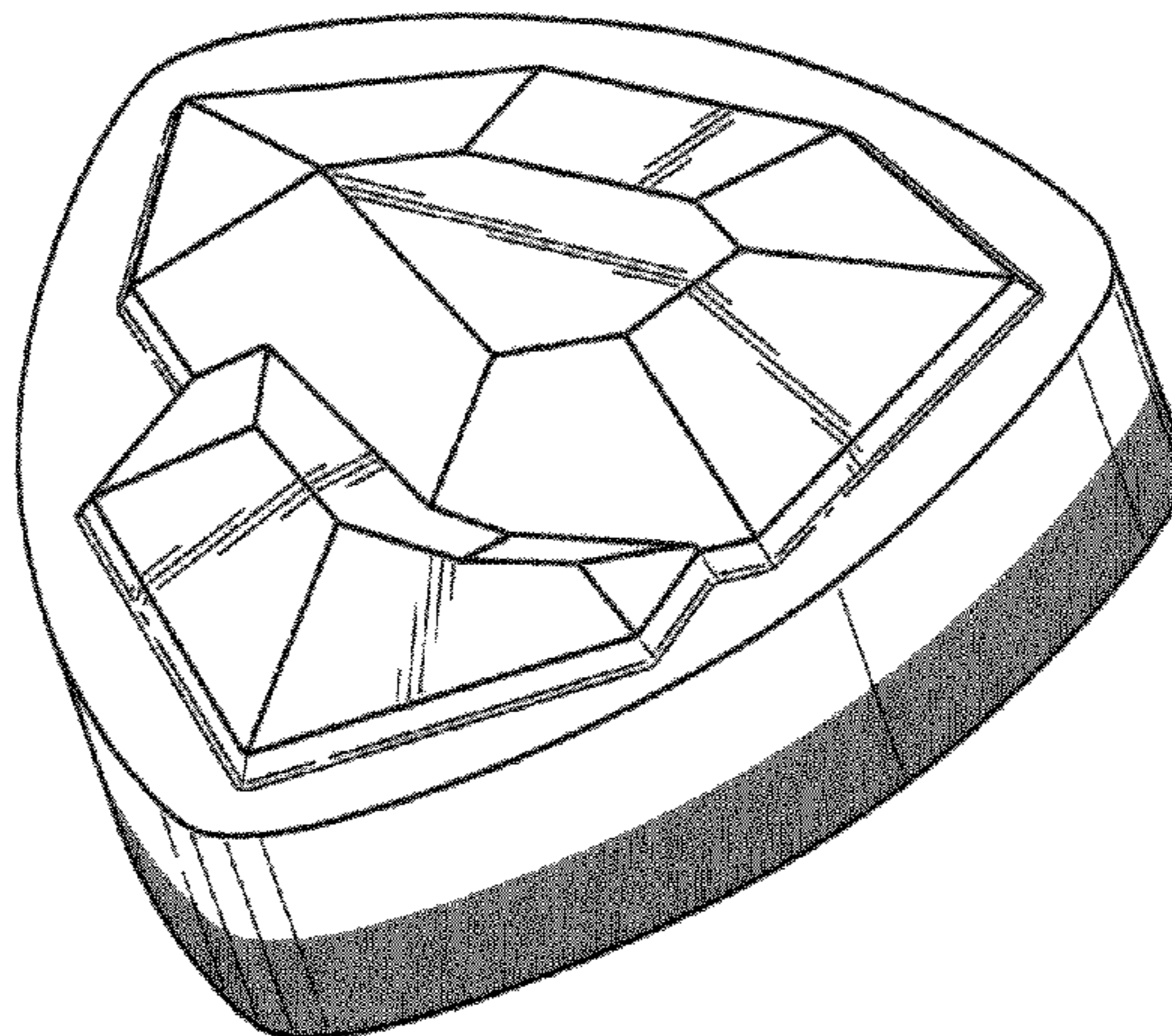
FIG. 5 is a right side elevational view thereof;

FIG. 6 is a top plan view thereof; and,

FIG. 7 is a bottom plan view thereof.

The dual colored chewing gum in the drawings are in colors. The dual colors being white and blue.

**1 Claim, 3 Drawing Sheets**  
**(3 of 3 Drawing Sheet(s) Filed in Color)**



# US D608,976 S

Page 2

---

## U.S. PATENT DOCUMENTS

D506,591 S \* 6/2005 Lee ..... D1/127  
D535,741 S \* 1/2007 Stawski et al. .... D24/101  
D556,946 S \* 12/2007 Seum et al. .... D28/8.1  
D556,947 S \* 12/2007 Seum et al. .... D28/8.1  
D578,729 S \* 10/2008 Lee et al. .... D1/127  
D580,547 S \* 11/2008 Lolis et al. .... D24/101

## FOREIGN PATENT DOCUMENTS

DE 0M9805618.0006 2/1999  
DE 0M9805618.0008 2/1999  
DE 0M9805618.0009 2/1999  
EM 000421888.004 1/2006  
EM 000658927.0002 2/2007  
EM 000658927.0003 2/2007  
EM 000658927.0005 2/2007  
EM 000658927.0006 2/2007

EM 000658927.0007 2/2007  
EM 000658927.0008 2/2007  
EM 000658927.0009 2/2007  
EM 000658927.0010 2/2007  
EM 000658927.0011 2/2007  
EM 000658927.0012 2/2007  
EM 000658927.0013 2/2007  
EM 000658927.0015 2/2007  
EM 000658927.0017 2/2007  
EM 000658927.0019 2/2007  
EM 000658927.0020 2/2007  
ES 000504914.0003 11/2007  
GB 002072288 5/1998  
GB 002097168 12/2000  
WO WO 00/060271.0001 3/2000  
WO WO 00/029732.0001 7/2000

\* cited by examiner

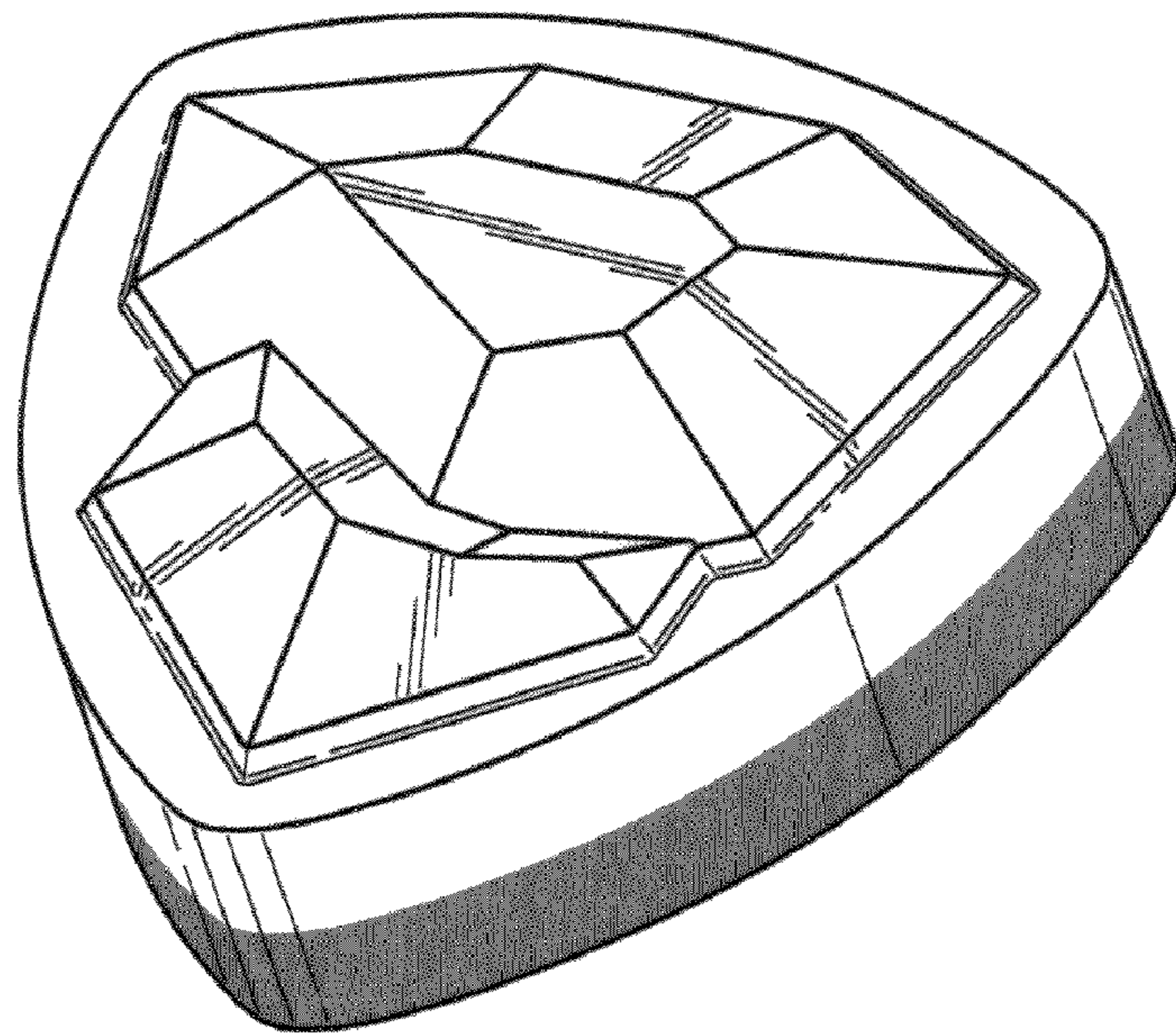


Fig. 1.

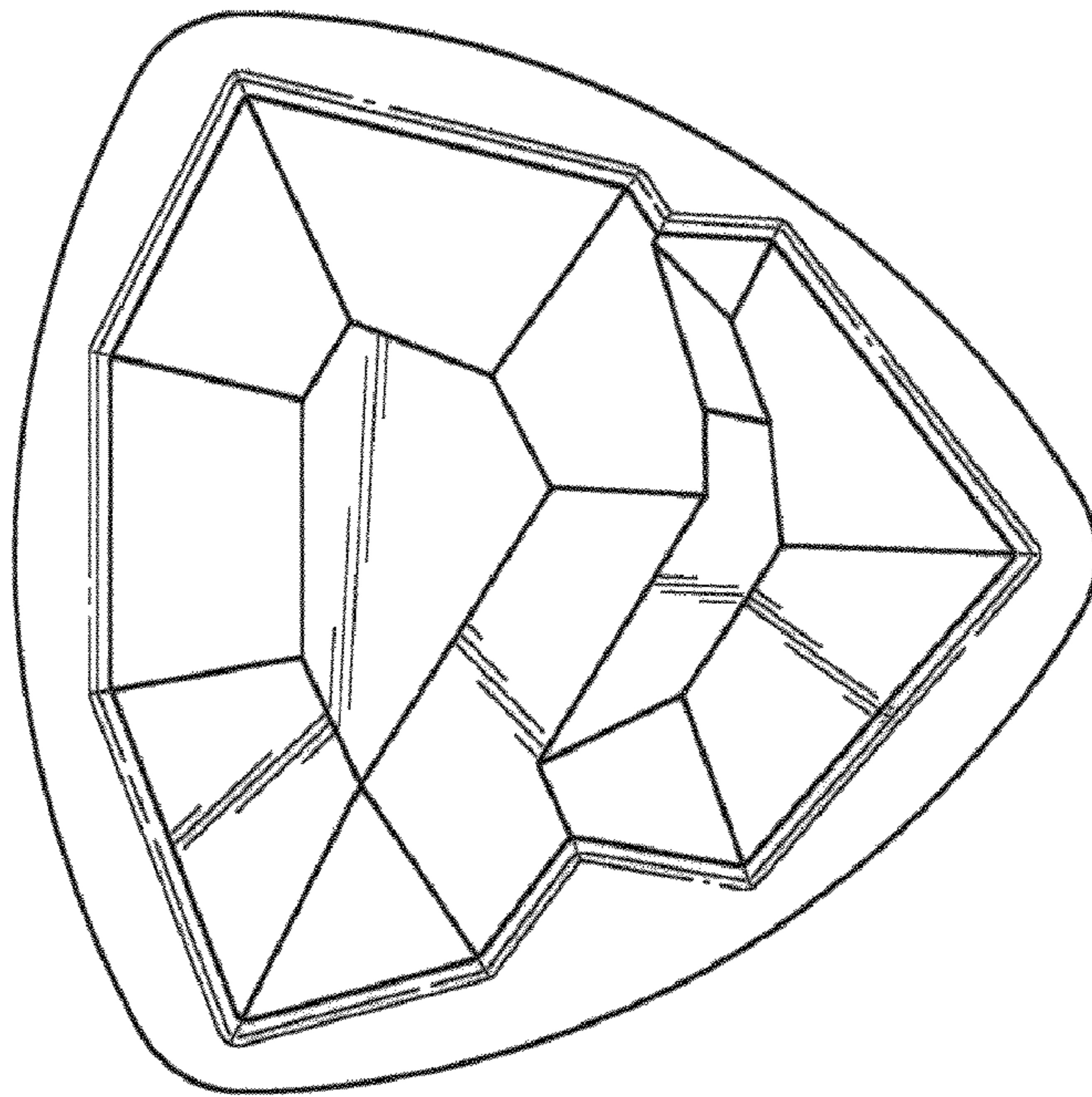


Fig.2.

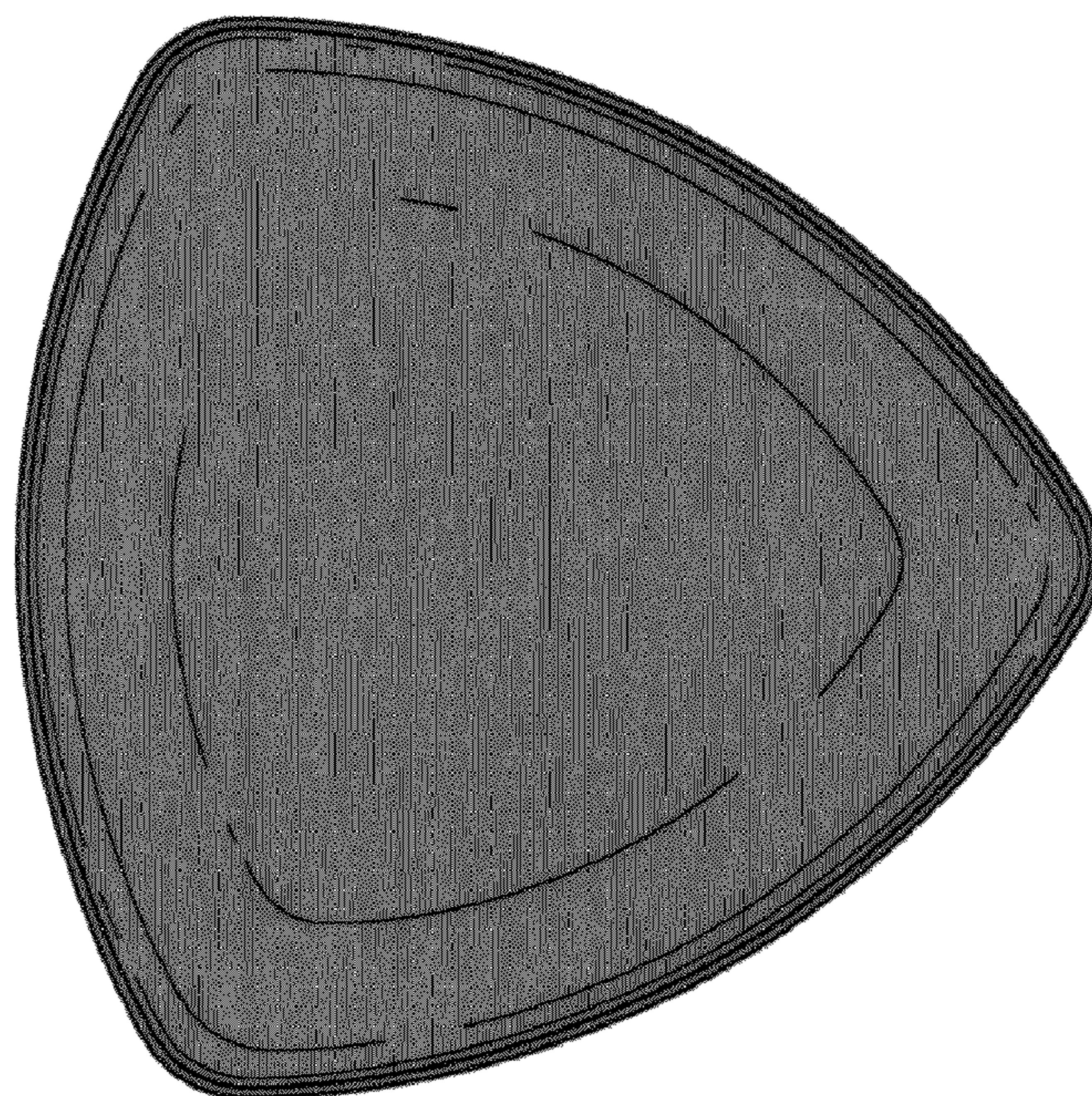


Fig.3.

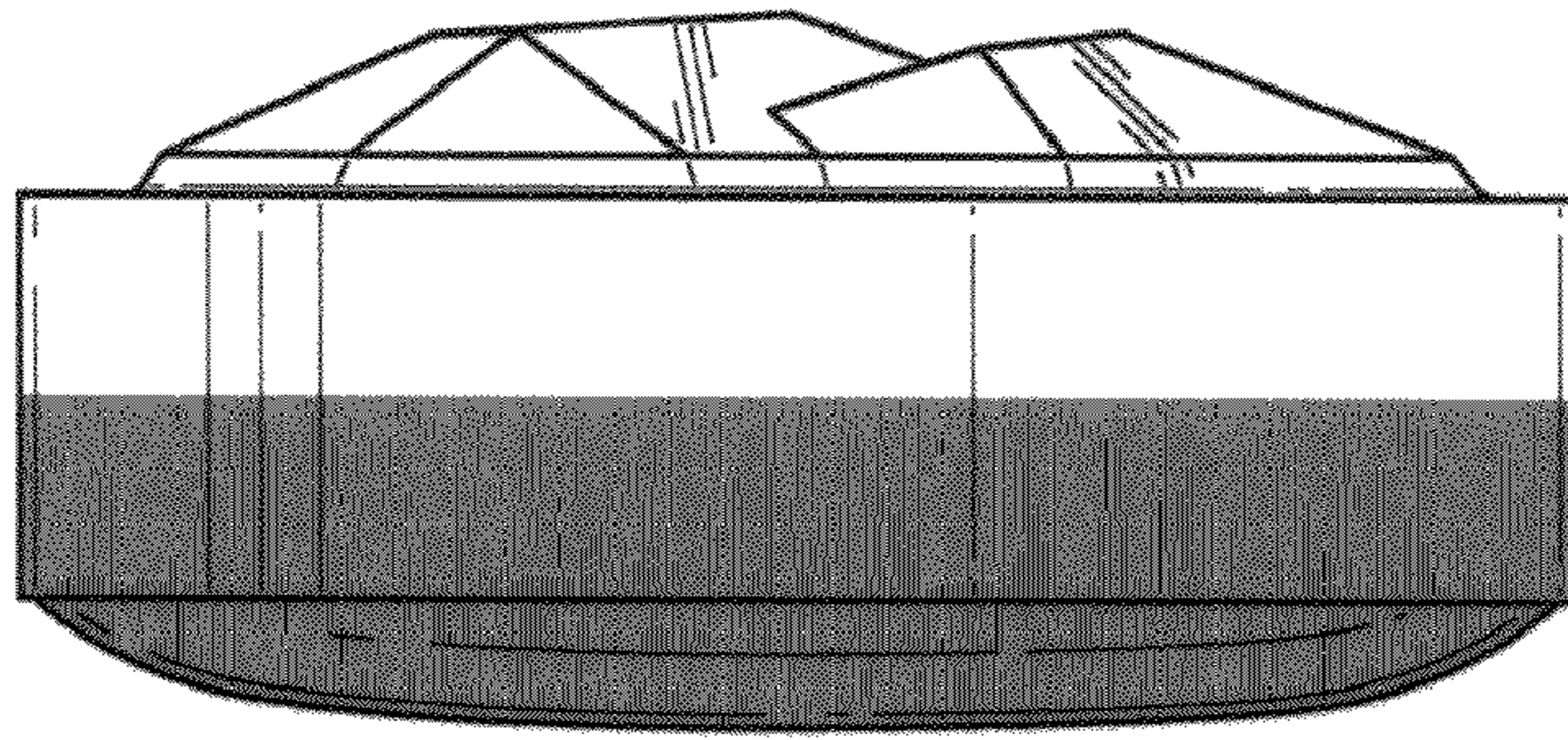


Fig.4.

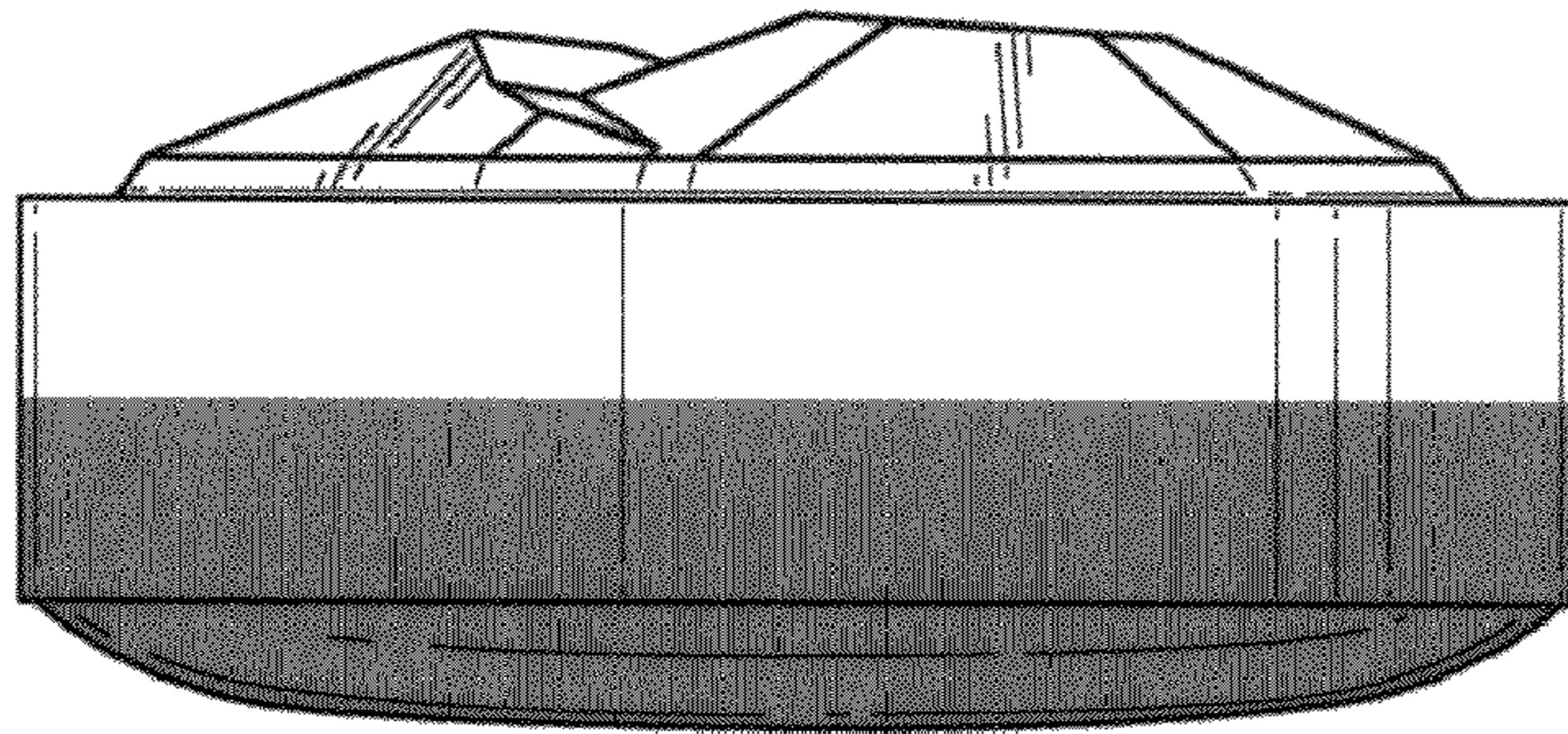


Fig.5.

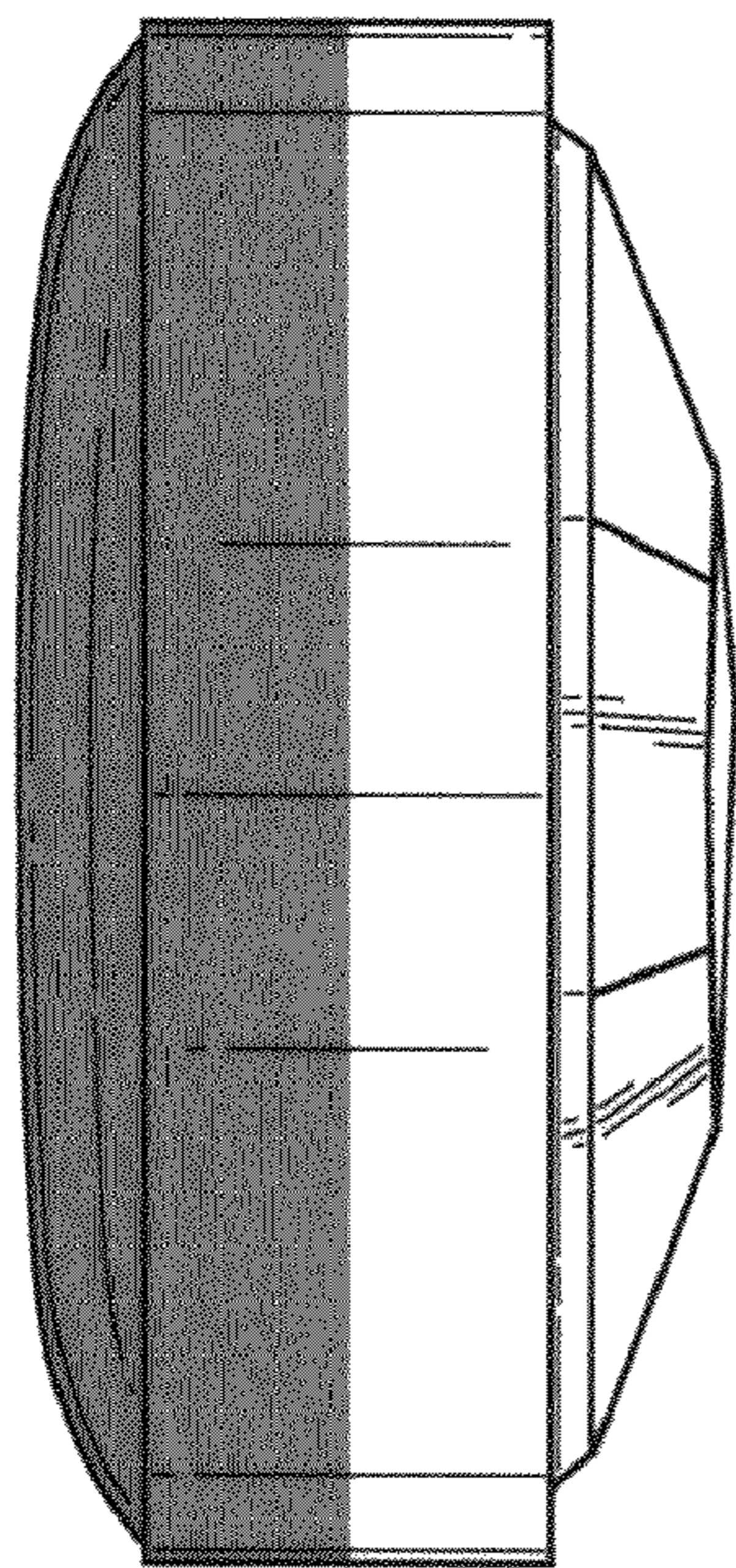


Fig.6.

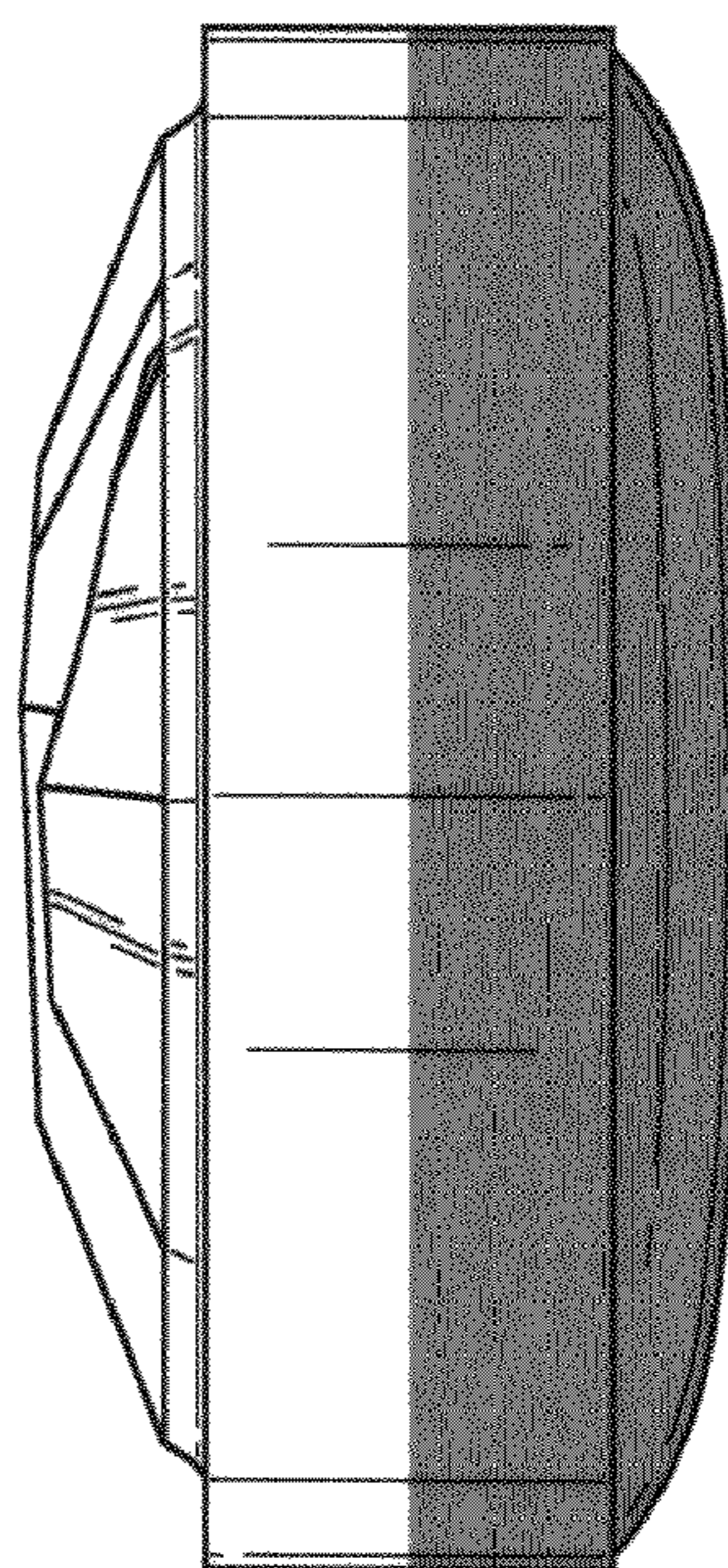


Fig.7.