



US00D608971S

(12) **United States Design Patent**
Tuncel

(10) **Patent No.:** **US D608,971 S**
(45) **Date of Patent:** **** Jan. 26, 2010**

(54) **BAGGAGE CART**

(75) Inventor: **Levent Tuncel**, Atlanta, GA (US)

(73) Assignee: **Levent Industries, Inc.**, Atlanta, GA (US)

(**) Term: **14 Years**

(21) Appl. No.: **29/333,692**

(22) Filed: **Mar. 13, 2009**

(51) **LOC (9) Cl.** **12-02**

(52) **U.S. Cl.** **D34/18**

(58) **Field of Classification Search** D34/12-27;
280/33.996, 33.991, 33.992, 33.995, 47.34,
280/47.38, 33.997, 47.35; D12/133
See application file for complete search history.

(56) **References Cited**

U.S. PATENT DOCUMENTS

2,764,419	A *	9/1956	Enders	280/33.997
2,958,537	A *	11/1960	Young	280/33.994
3,497,234	A *	2/1970	Schray	280/33.993
D230,142	S *	1/1974	Muellner	D34/14
3,894,748	A *	7/1975	Ratcliff	280/641

D263,456	S *	3/1982	Muellner	D34/18
4,381,870	A *	5/1983	Muellner	280/33.993
5,149,114	A *	9/1992	Lewandowski et al.	280/33.992
D365,904	S *	1/1996	Adamson et al.	D34/17
D367,348	S *	2/1996	Basharat	D34/18

* cited by examiner

Primary Examiner—Cynthia E Ramirez

(74) *Attorney, Agent, or Firm*—George R. Reardon

(57) **CLAIM**

The ornamental design for a baggage cart, as shown.

DESCRIPTION

FIG. 1 is a perspective view of a baggage cart showing my new design;

FIG. 2 is a right side plan view of a baggage cart;

FIG. 3 is a top plan view of a baggage cart;

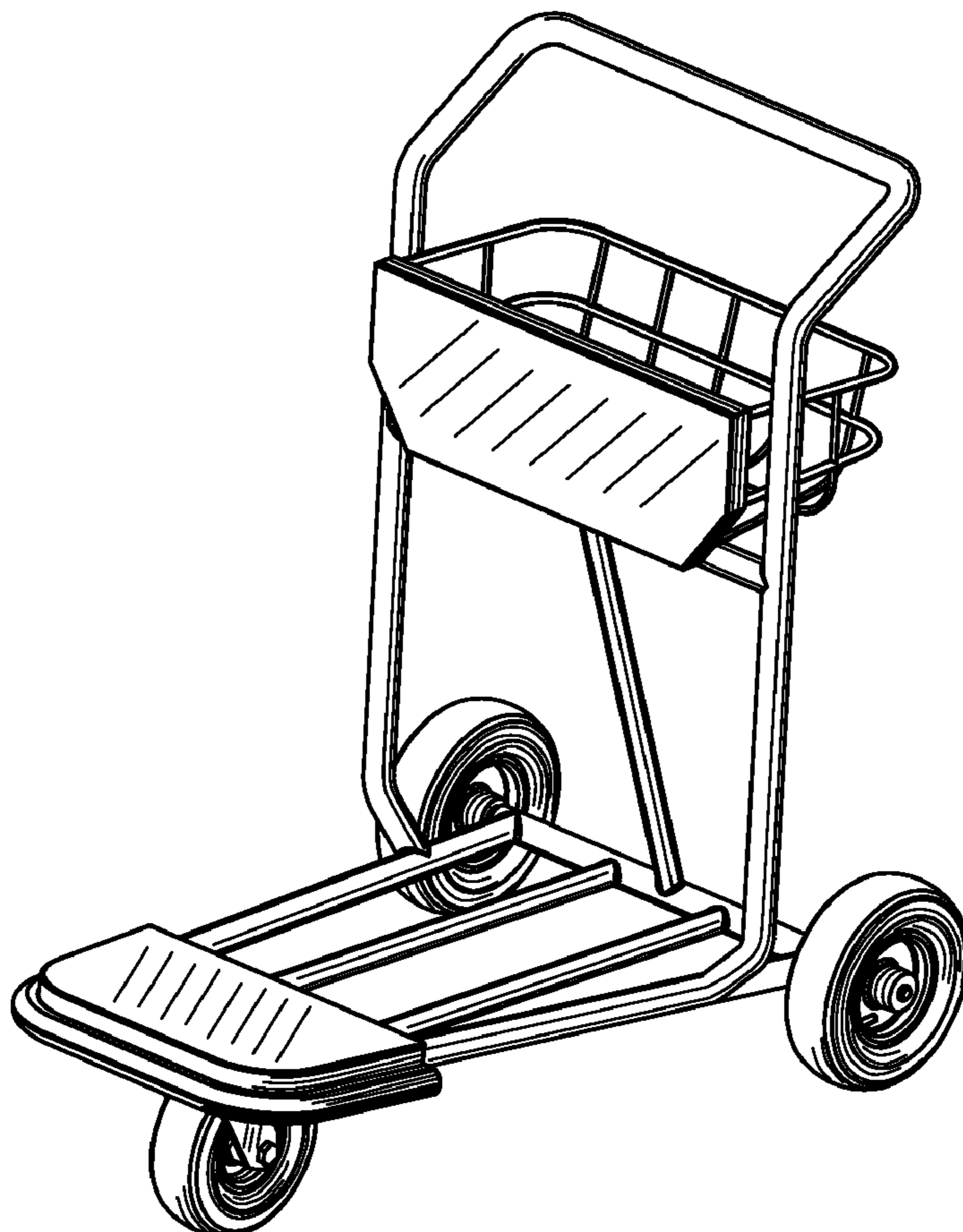
FIG. 4 is a bottom plan view of a baggage cart;

FIG. 5 is a left side plan view of a baggage cart;

FIG. 6 is a front plan view of a baggage cart; and,

FIG. 7 is a rear view of a baggage cart.

1 Claim, 7 Drawing Sheets



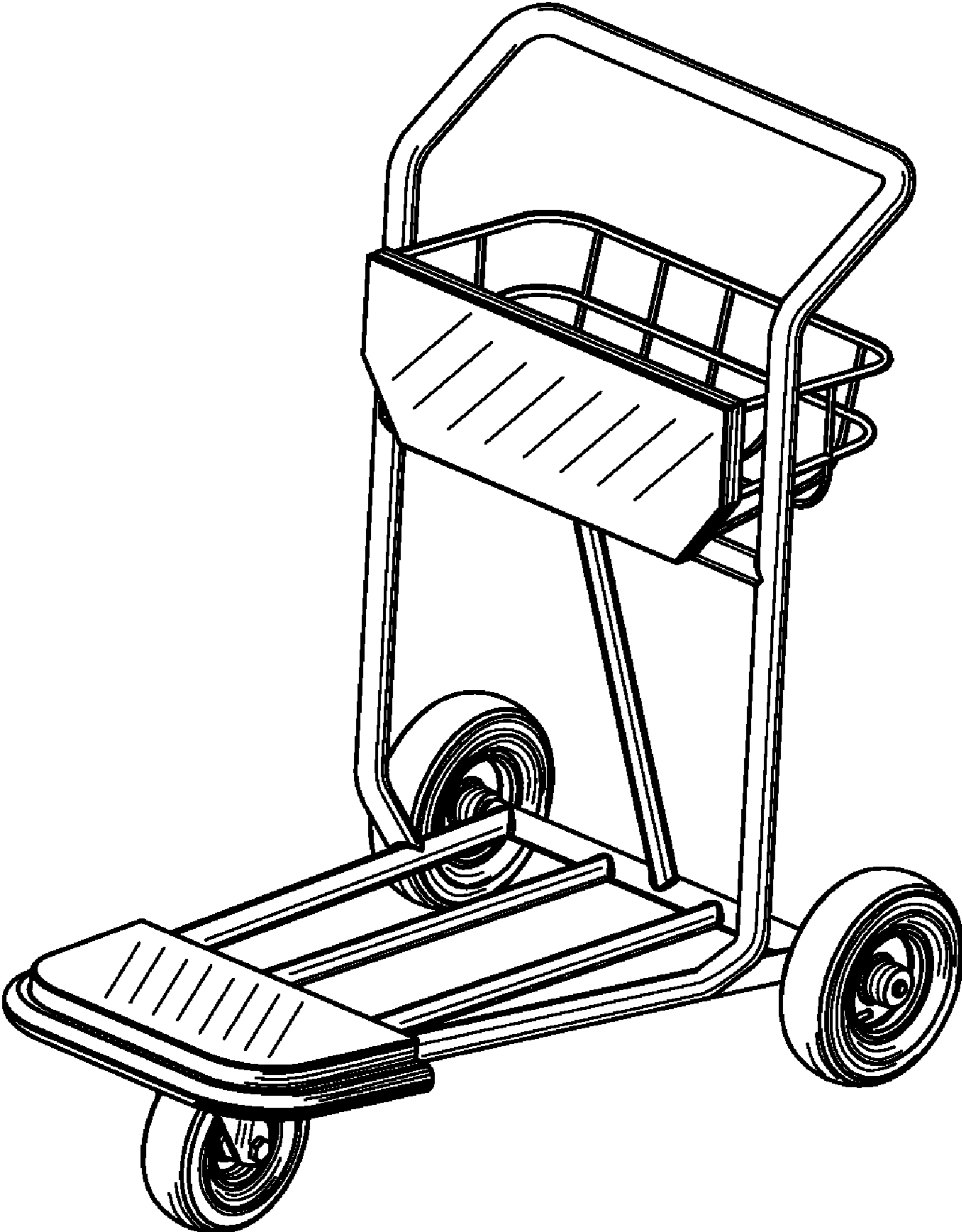


FIG. 1



FIG. 2

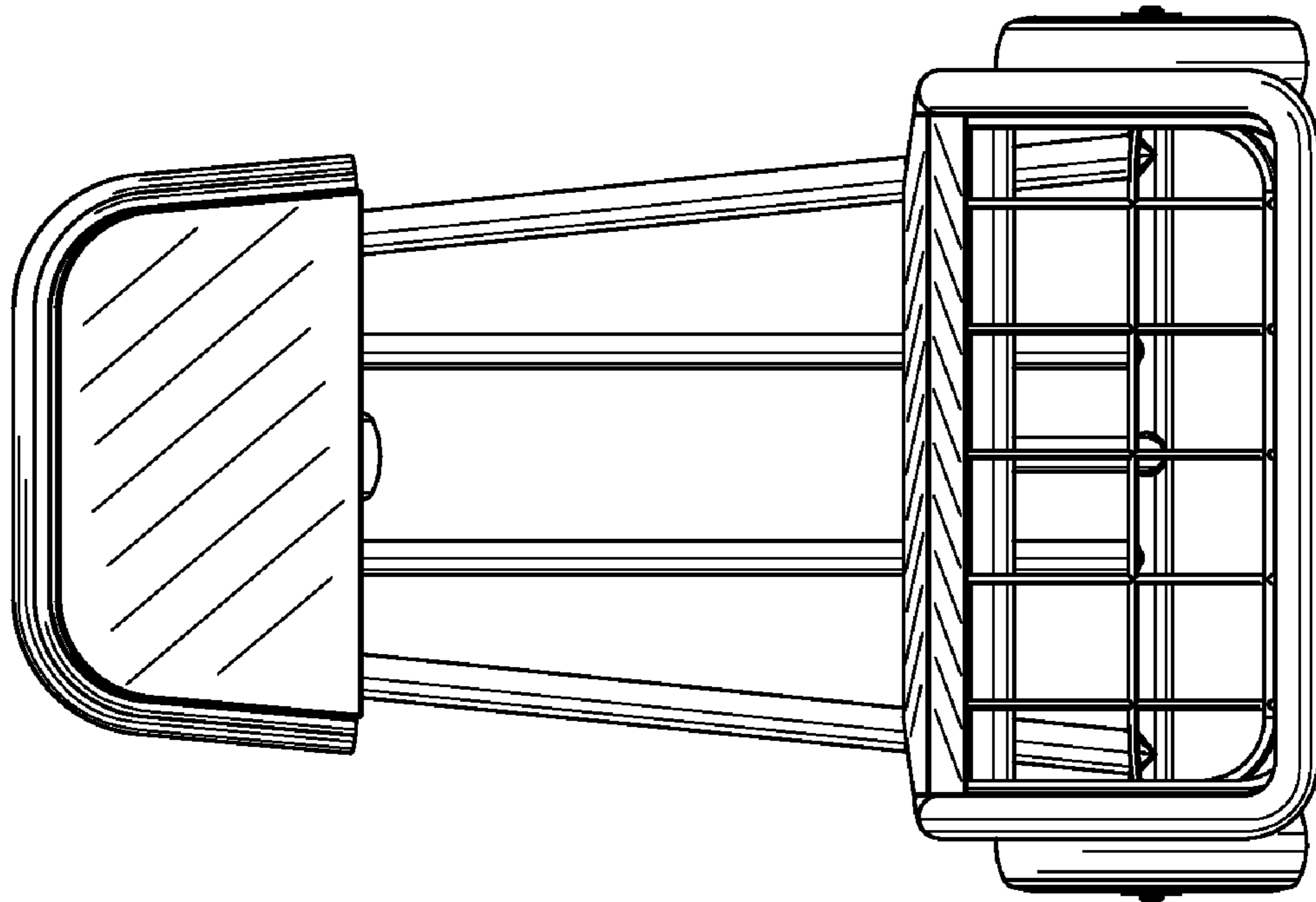


FIG. 3

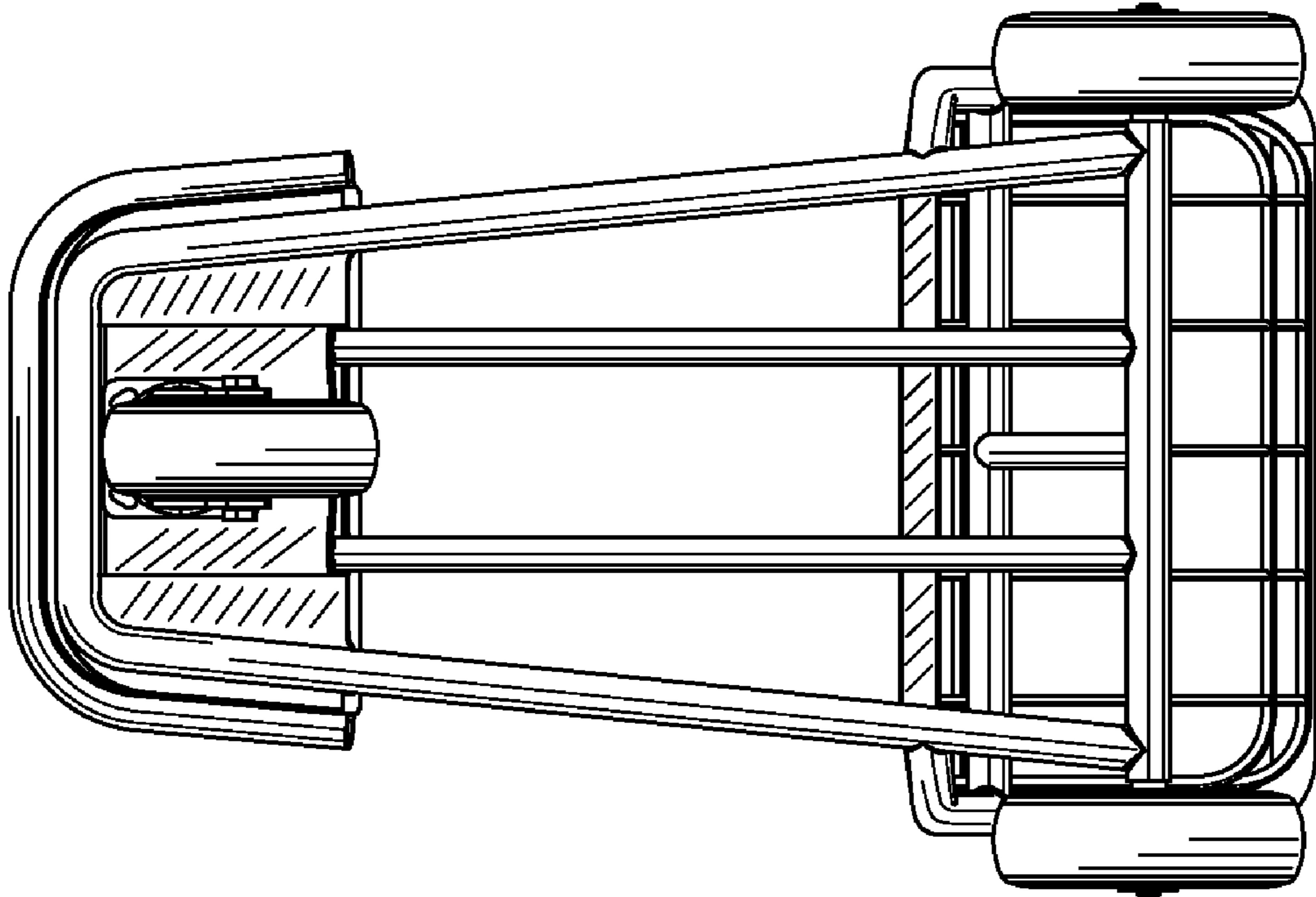


FIG. 4



FIG. 5

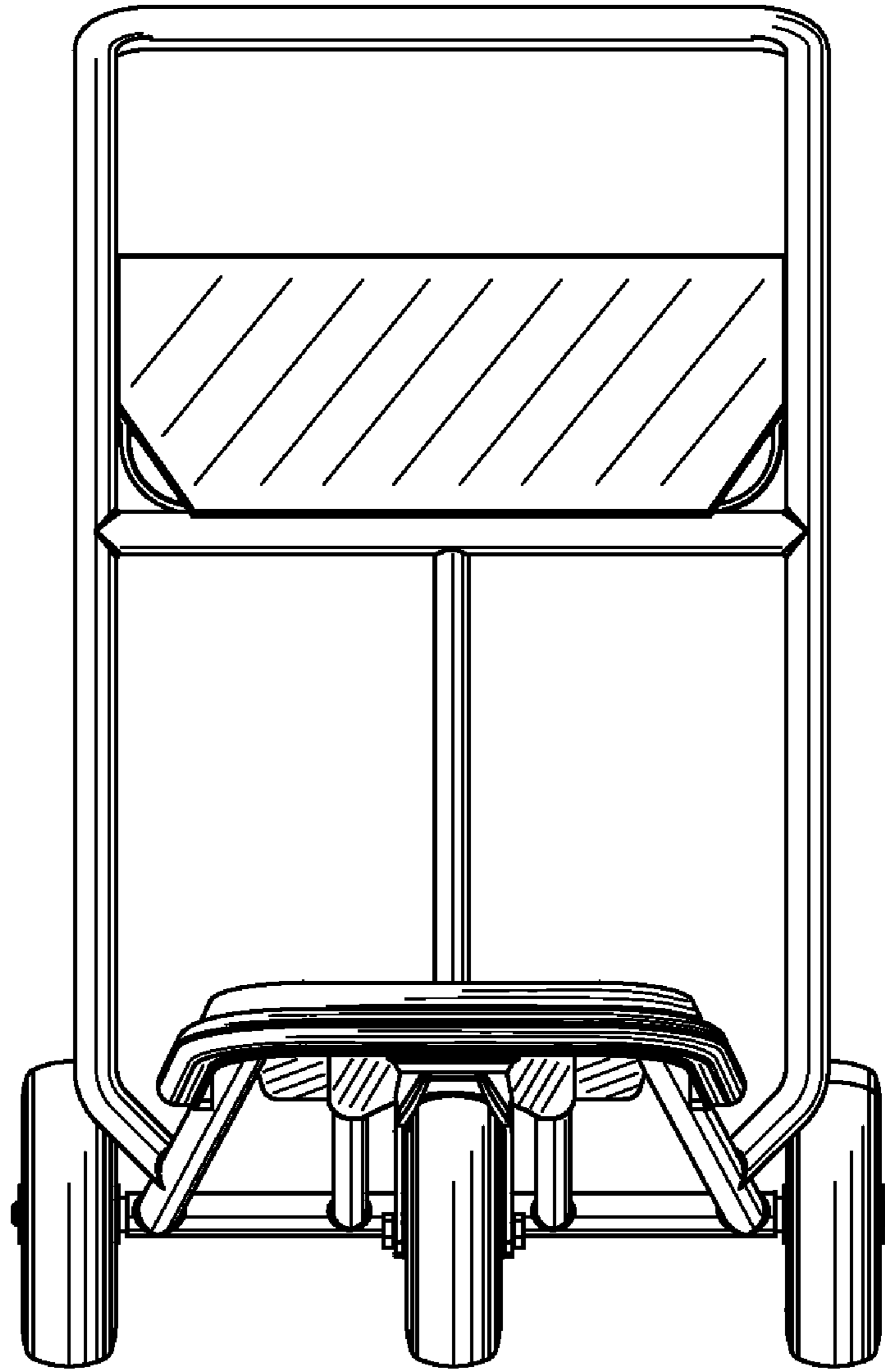


FIG. 6

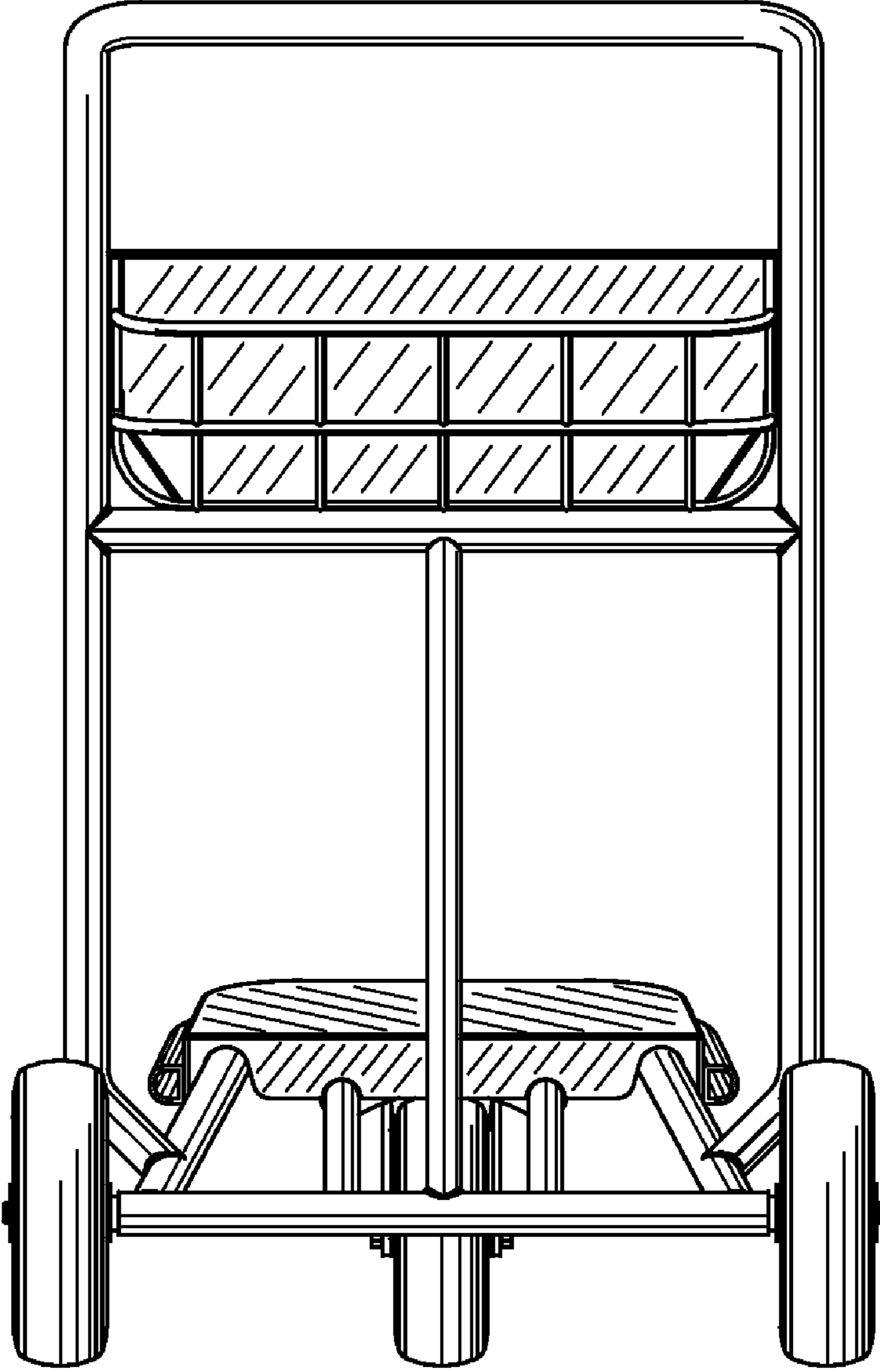


FIG. 7