



US00D608964S

(12) **United States Design Patent**
Walton

(10) **Patent No.:** **US D608,964 S**
(45) **Date of Patent:** **** Jan. 26, 2010**

- (54) **PERSONAL AND PORTABLE LAUNDRY SYSTEM**
- (76) Inventor: **Omar K. Walton**, PSC 819 Box 18-196, FPO (ES) 09645
- (**) Term: **14 Years**
- (21) Appl. No.: **29/299,488**
- (22) Filed: **Dec. 27, 2007**

D425,279	S	*	5/2000	Houry et al.	D34/20
6,494,468	B1	*	12/2002	Inge	280/47.35
D491,327	S	*	6/2004	Gambino	D32/37
D532,568	S	*	11/2006	Rodriguez	D32/37
7,337,890	B2	*	3/2008	Bochonok et al.	194/353
2009/0014974	A1	*	1/2009	VanVorst et al.	280/47.26
2009/0261548	A1	*	10/2009	Sheehan	280/47.26

* cited by examiner

Primary Examiner—Cynthia E Ramirez

(74) *Attorney, Agent, or Firm*—David A. Belasco; Belasco Jacobs & Townsley, LLP

Related U.S. Application Data

- (63) Continuation of application No. 10/986,066, filed on Nov. 11, 2004, now abandoned.

- (51) **LOC (9) Cl.** **07-07**
- (52) **U.S. Cl.** **D32/37; D34/19**
- (58) **Field of Classification Search** **D32/37; D34/19, 21, 24, 25; 220/604, 909, 752; 280/47.17, 280/47.24, 47.26, 47.34**
See application file for complete search history.

(56) **References Cited**

U.S. PATENT DOCUMENTS

D141,188	S	*	5/1945	Stone	D32/37
D142,274	S	*	8/1945	Kohen	D32/37
D142,649	S	*	10/1945	Kohen	D32/37
D231,722	S	*	6/1974	Mockler	D34/5
D330,789	S	*	11/1992	Powell	D34/5
D347,916	S	*	6/1994	Russ	D34/5
D370,328	S	*	5/1996	Mathews et al.	D34/19

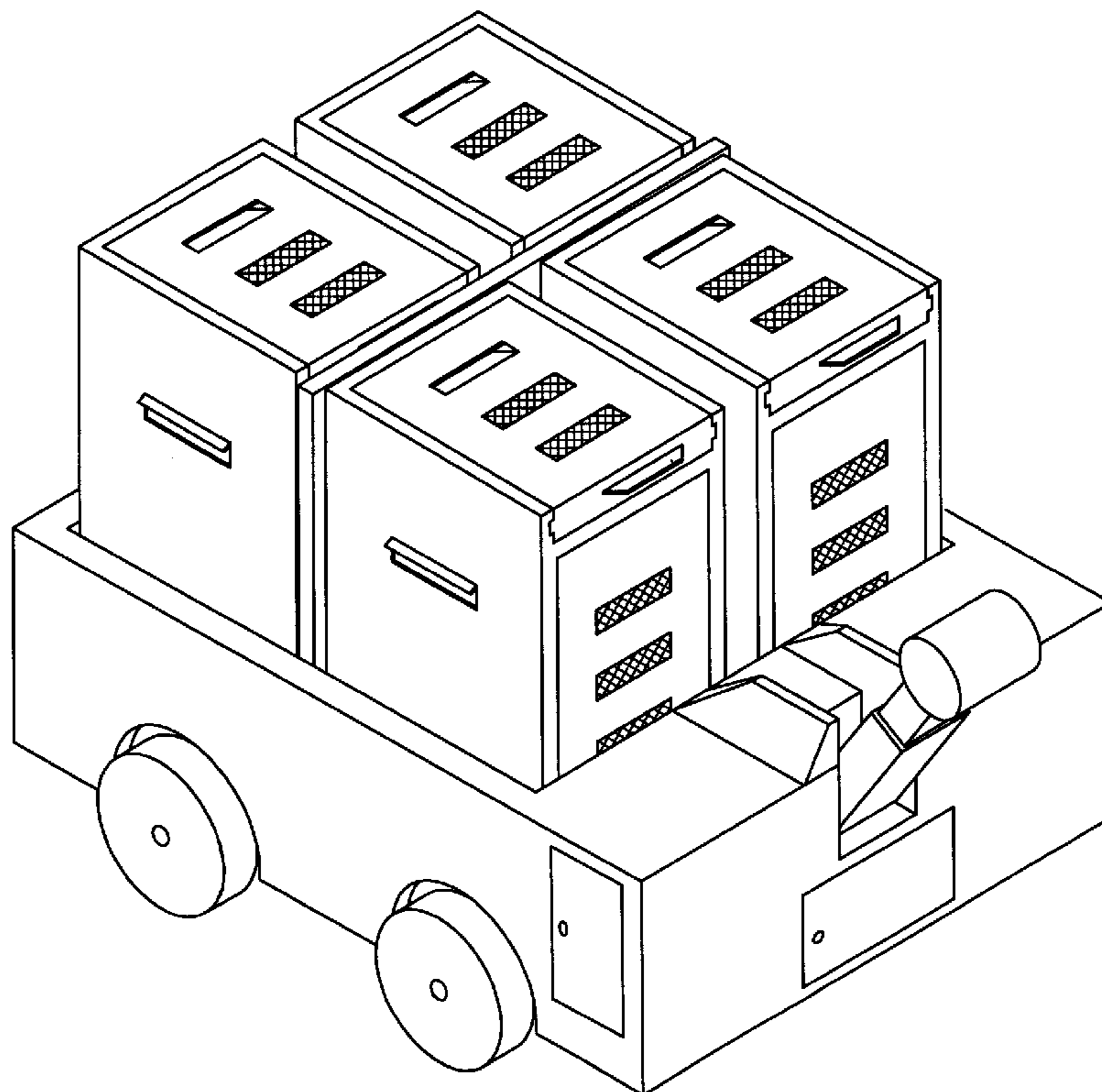
(57) **CLAIM**

The ornamental design for a personal and portable laundry system, as shown and described.

DESCRIPTION

FIG. 1 is a perspective view of my new personal and portable laundry system;
 FIG. 2 is a front elevational view thereof;
 FIG. 3 is a left side elevational view thereof;
 FIG. 4 is a top plan view thereof;
 FIG. 5 is a right side elevational view thereof;
 FIG. 6 is a rear elevational view thereof and;
 FIG. 7 is a bottom plan view thereof; and,
 FIG. 8 is an exploded perspective view thereof.

1 Claim, 5 Drawing Sheets



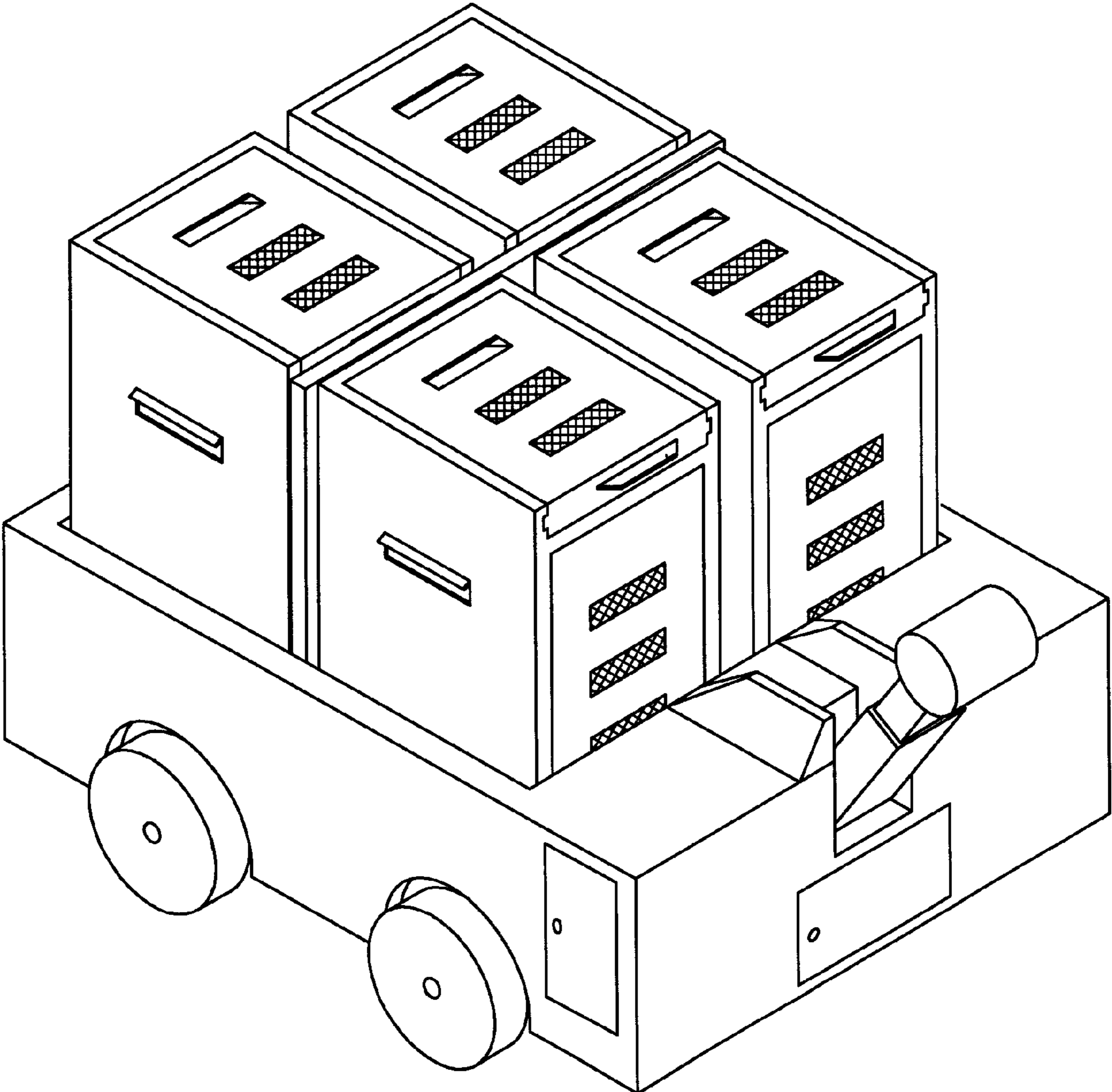


FIG. 1

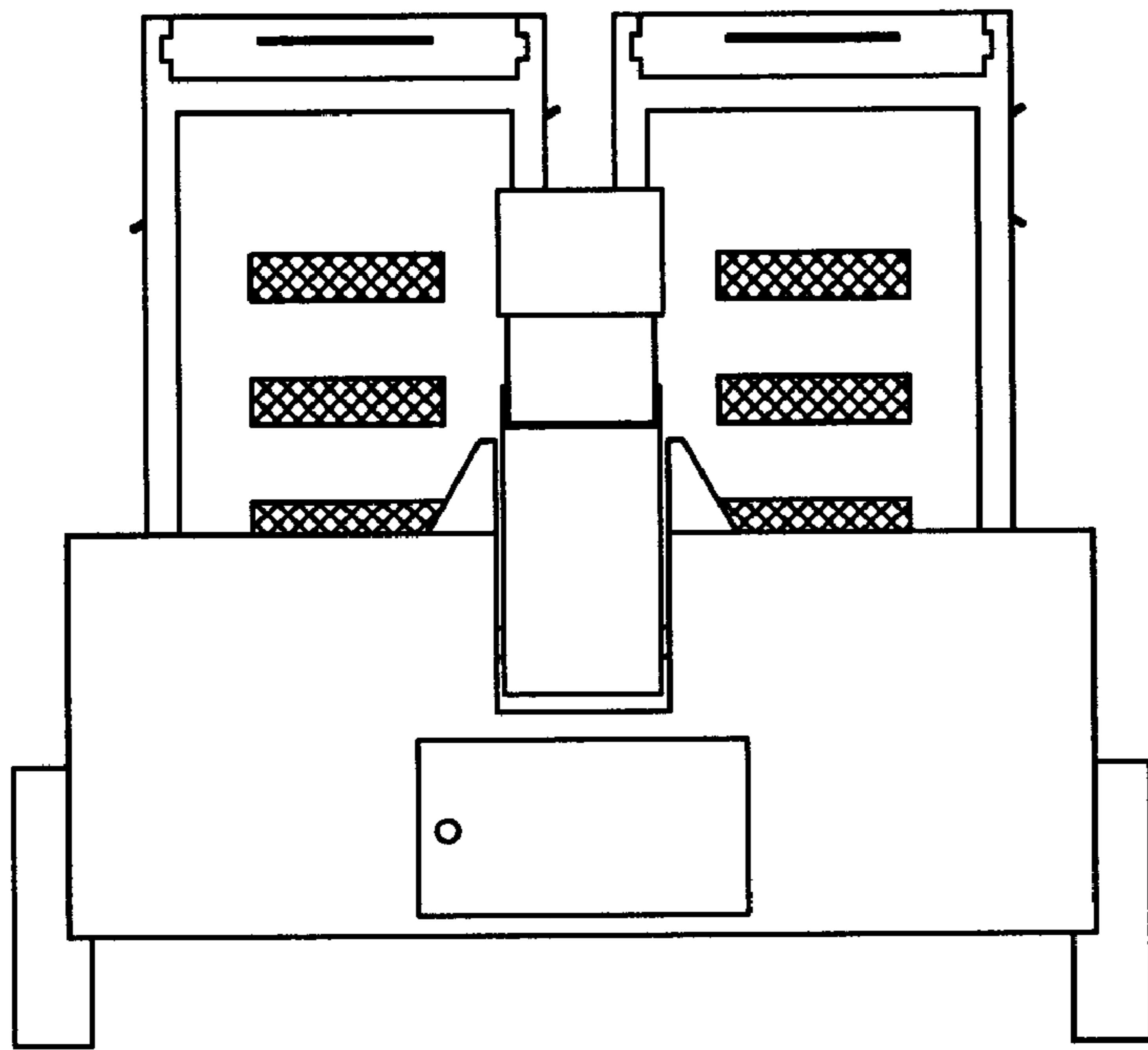


FIG. 2

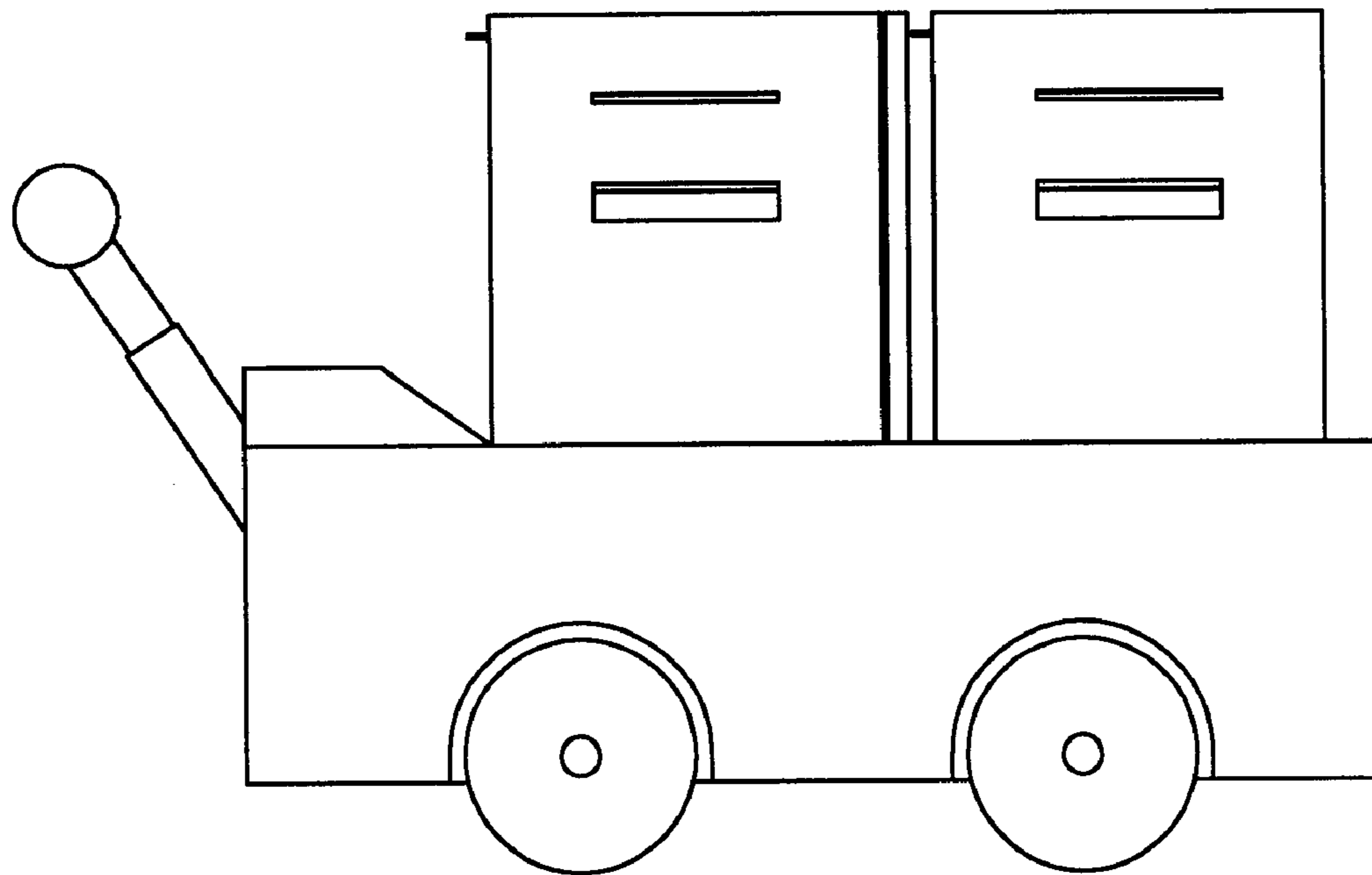


FIG. 5

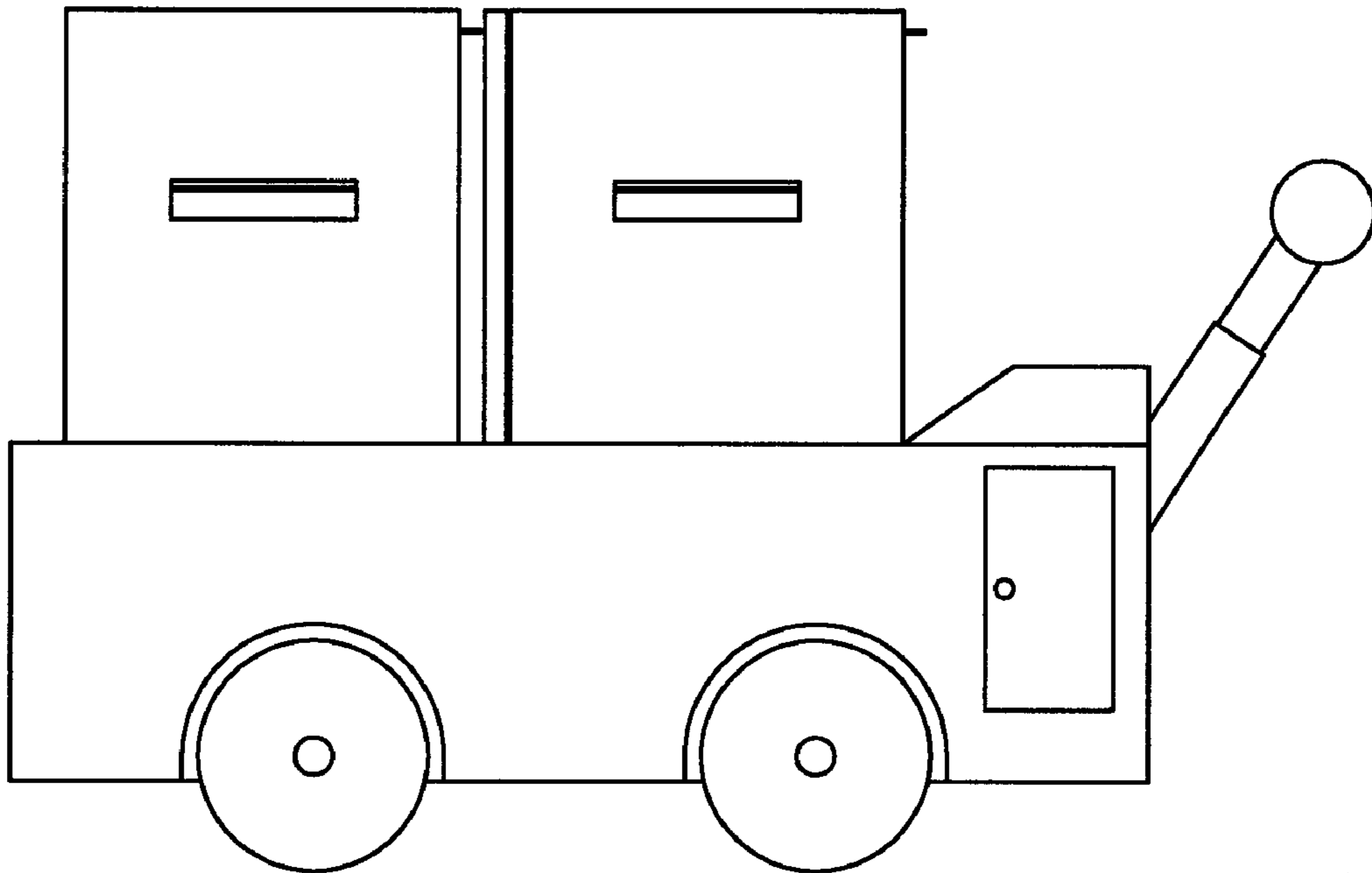


FIG. 3

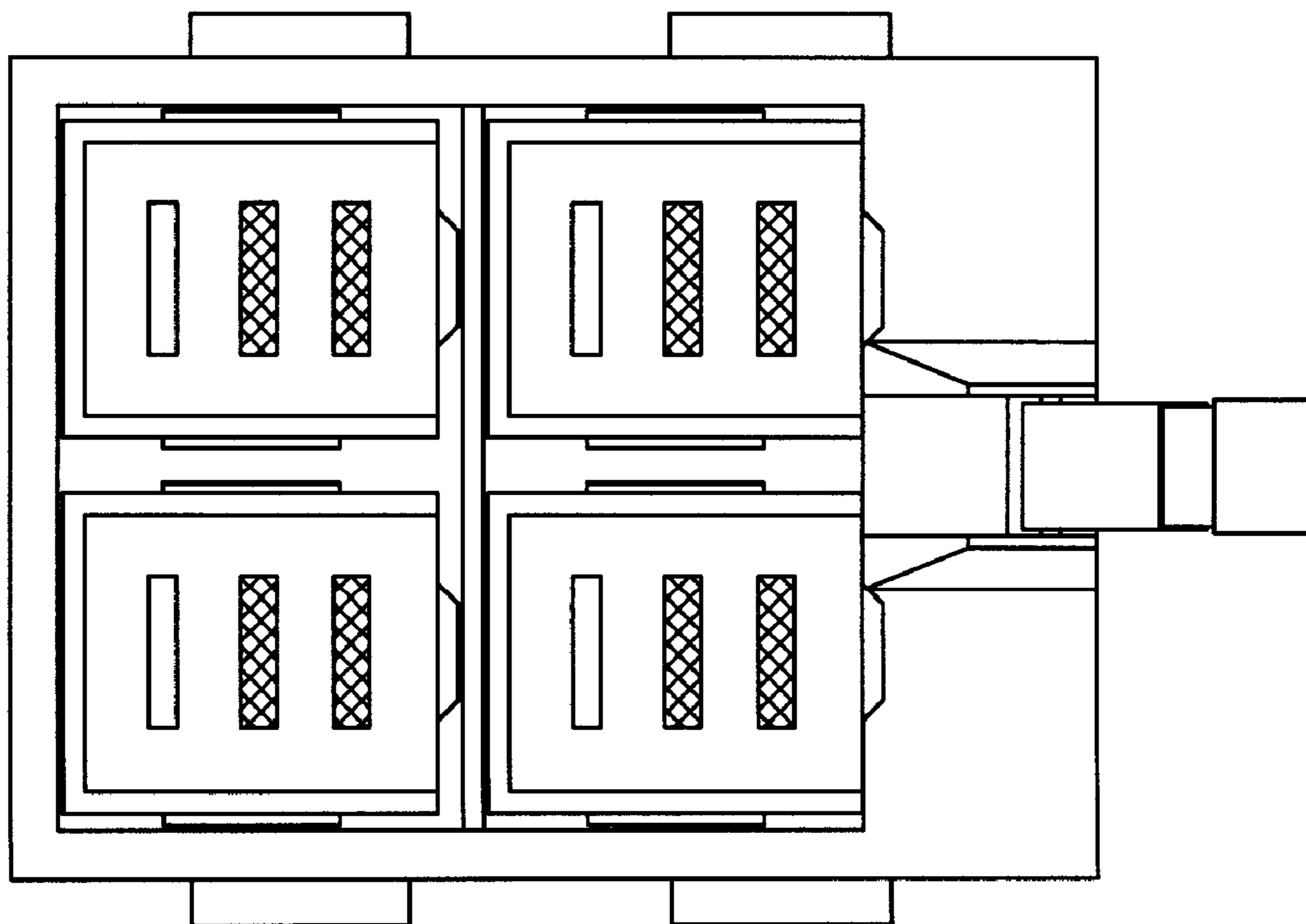


FIG. 4

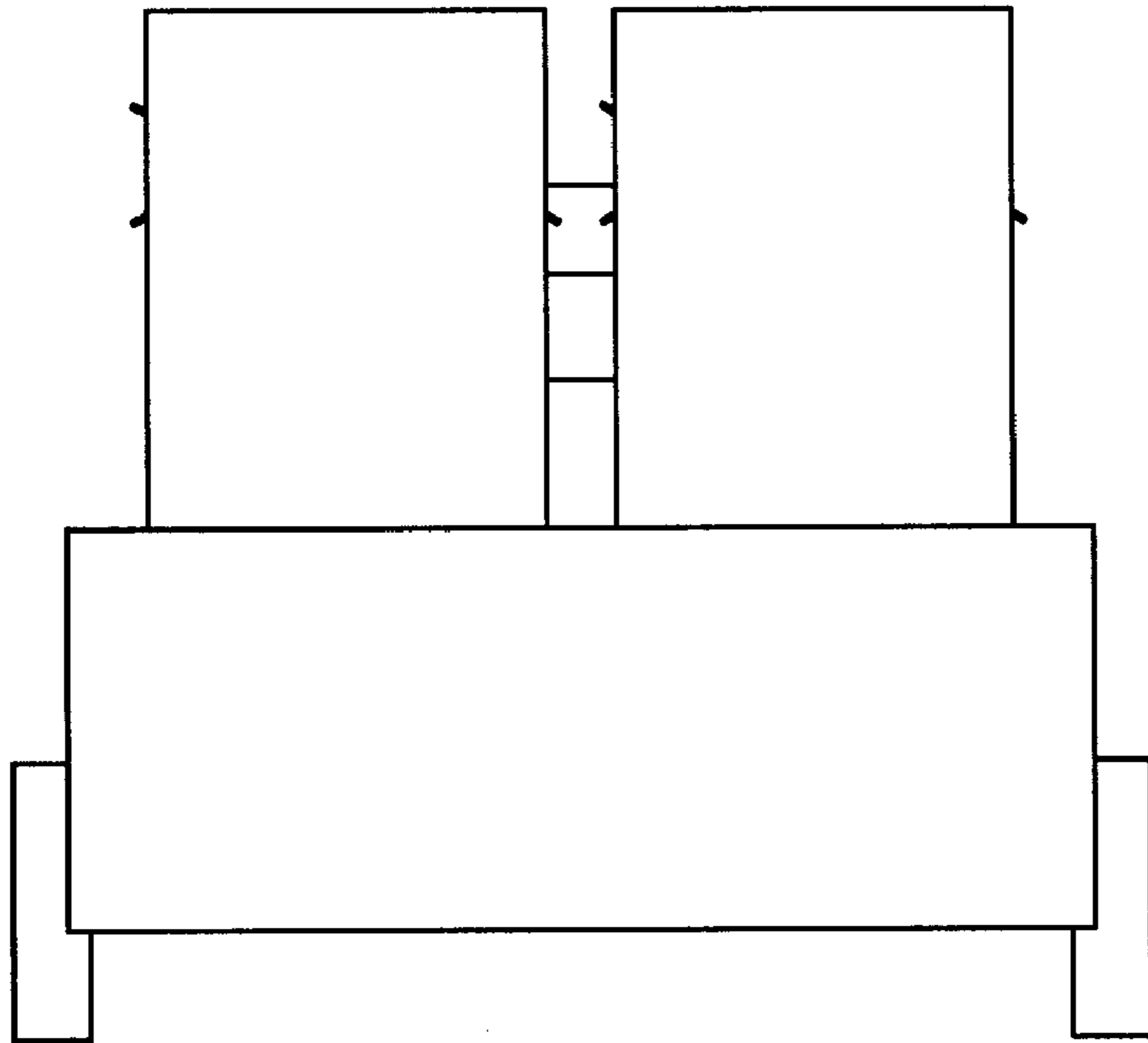


FIG. 6

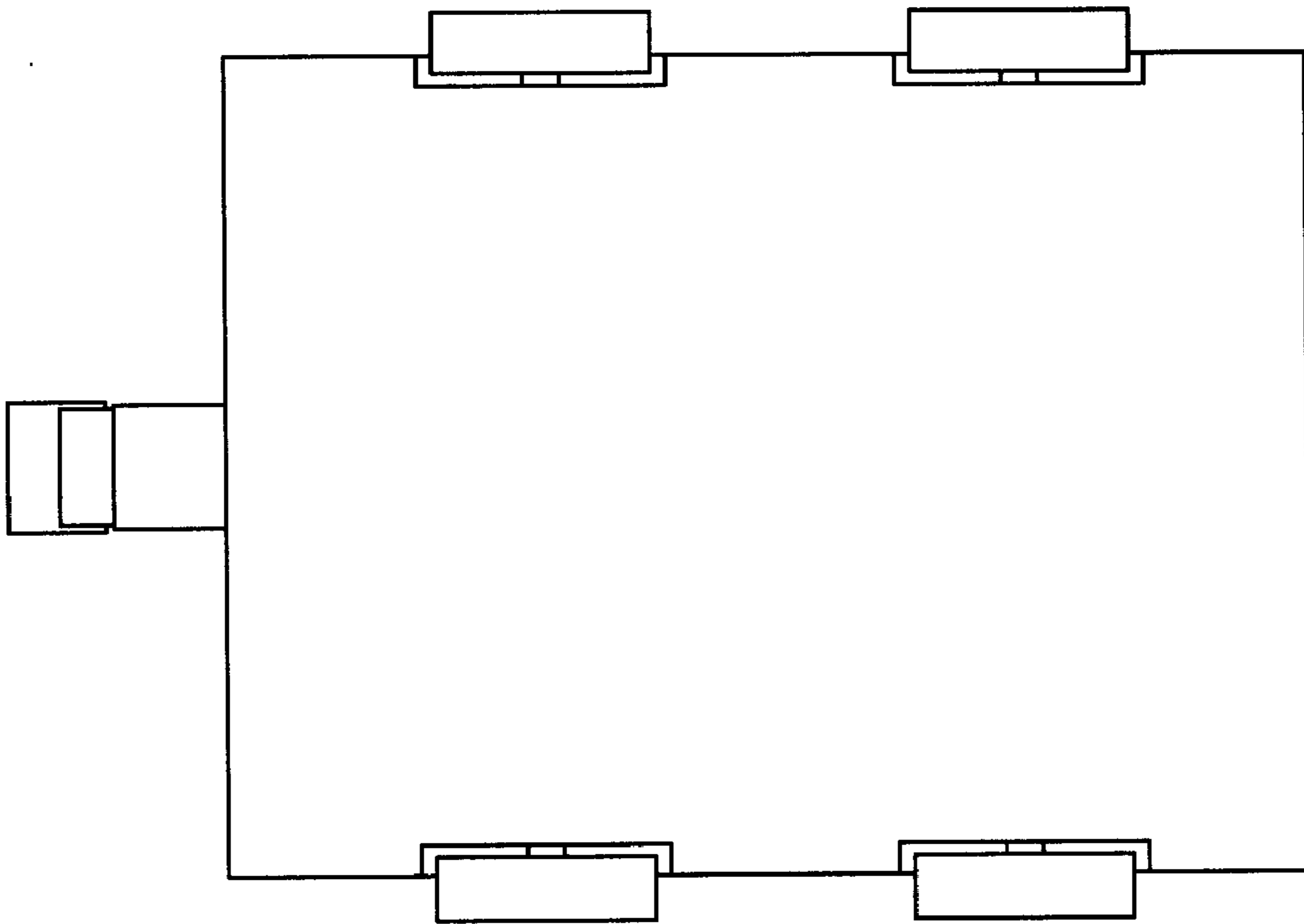


FIG. 7

FIG. 8

