



US00D608962S

(12) **United States Design Patent**
Reese et al.

(10) **Patent No.:** **US D608,962 S**
(45) **Date of Patent:** **** Jan. 26, 2010**

(54) **STICK VACUUM**

(75) Inventors: **Chad A. Reese**, Auburn, AL (US); **Mark Rosenzweig**, Chestnut Hill, MA (US); **Adrian C. Arnold**, Brentor Tavistock (GB)

(73) Assignee: **Euro-Pro Operating, LLC**, Newton, MA (US)

(**) Term: **14 Years**

(21) Appl. No.: **29/339,089**

(22) Filed: **Jun. 24, 2009**

(51) **LOC (9) Cl.** **15-05**

(52) **U.S. Cl.** **D32/22**

(58) **Field of Classification Search** D32/15-18,
D32/22, 30-31, 34; 15/344, 329, 347, 352-353,
15/331, 338, 412; 55/345, DIG. 3, 337, 429,
55/459.1; 95/268, 271
See application file for complete search history.

(56) **References Cited**

U.S. PATENT DOCUMENTS

D301,649 S * 6/1989 Yamamoto et al. D32/22
D307,656 S * 5/1990 Yuen D32/22
D307,657 S * 5/1990 Li D32/22

D399,618 S * 10/1998 Jacobs D32/22
D521,699 S * 5/2006 Greene et al. D32/22
D532,944 S * 11/2006 Choi D32/22
D537,584 S * 2/2007 Greene et al. D32/22
D562,510 S * 2/2008 Hahn D32/22
2008/0282497 A1 * 11/2008 Griffith et al. 15/352

* cited by examiner

Primary Examiner—Ruth McInroy

(74) *Attorney, Agent, or Firm*—McCarter & English, LLP;
Michael I. Wolfson

(57) **CLAIM**

The ornamental design for a stick vacuum, as shown and described.

DESCRIPTION

FIG. 1 is a front right side perspective view of a stick vacuum showing our new design;

FIG. 2 is a front elevational view thereof;

FIG. 3 is a top plan view thereof;

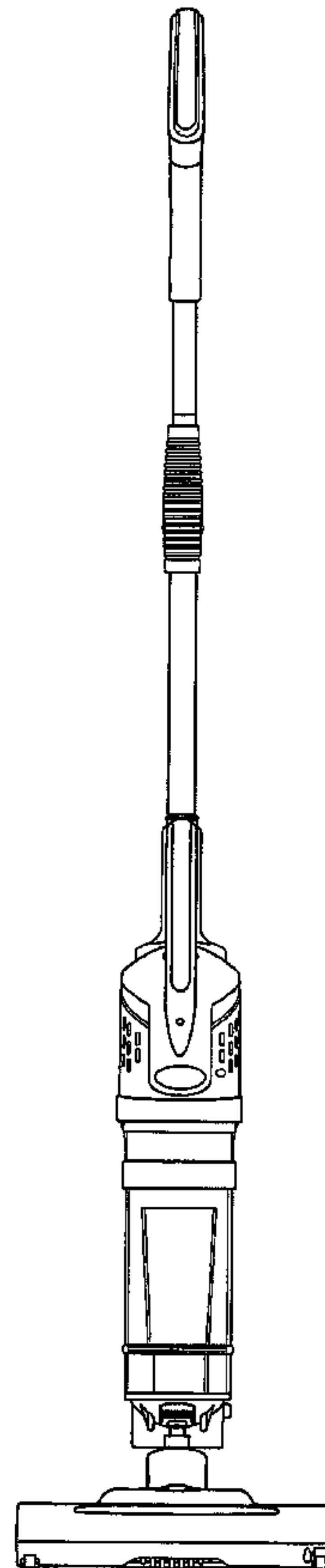
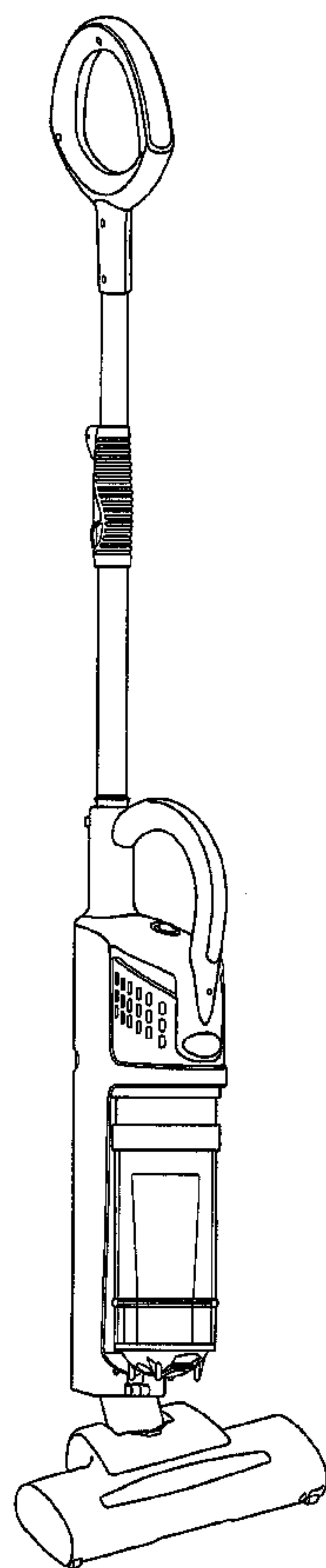
FIG. 4 is a right side elevational view thereof;

FIG. 5 is a left side elevational view thereof;

FIG. 6 is a rear elevational view thereof; and,

FIG. 7 is a bottom plan view thereof.

1 Claim, 6 Drawing Sheets



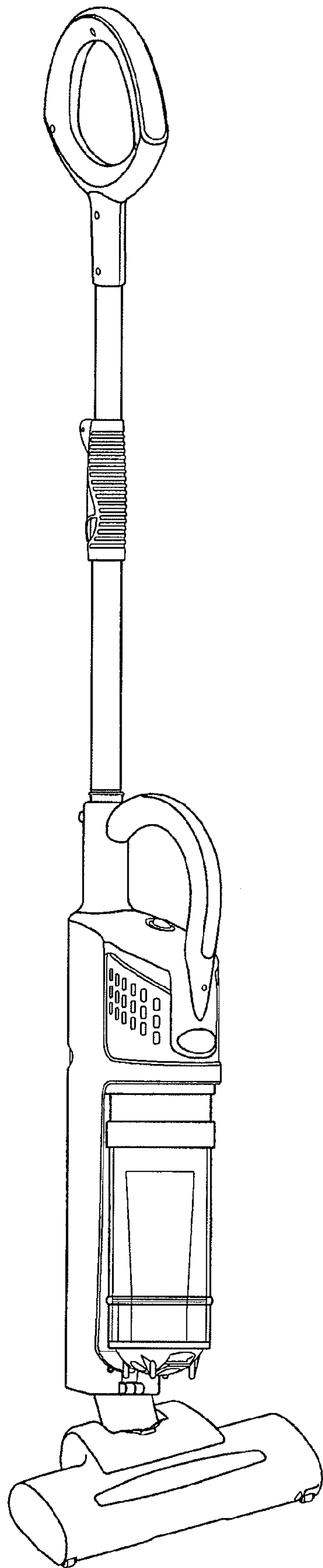


FIG. 1

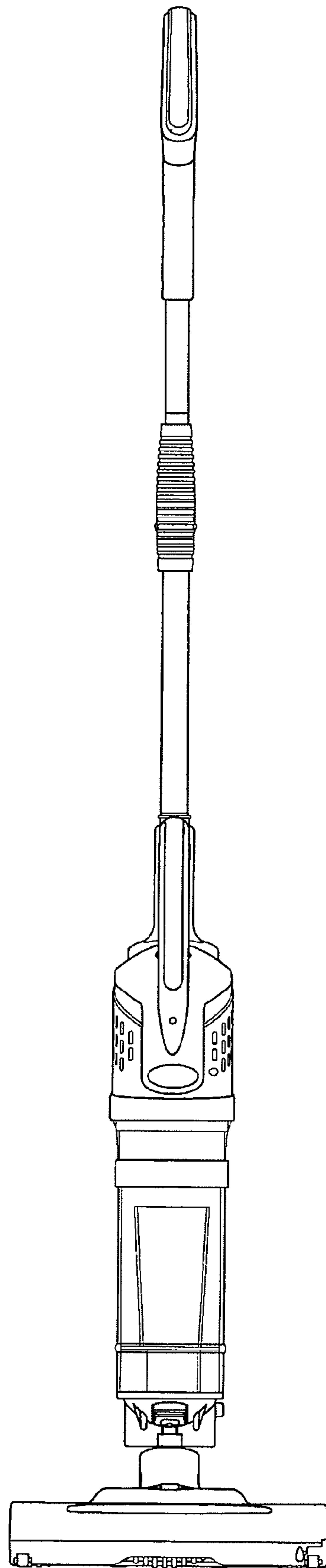


FIG. 2

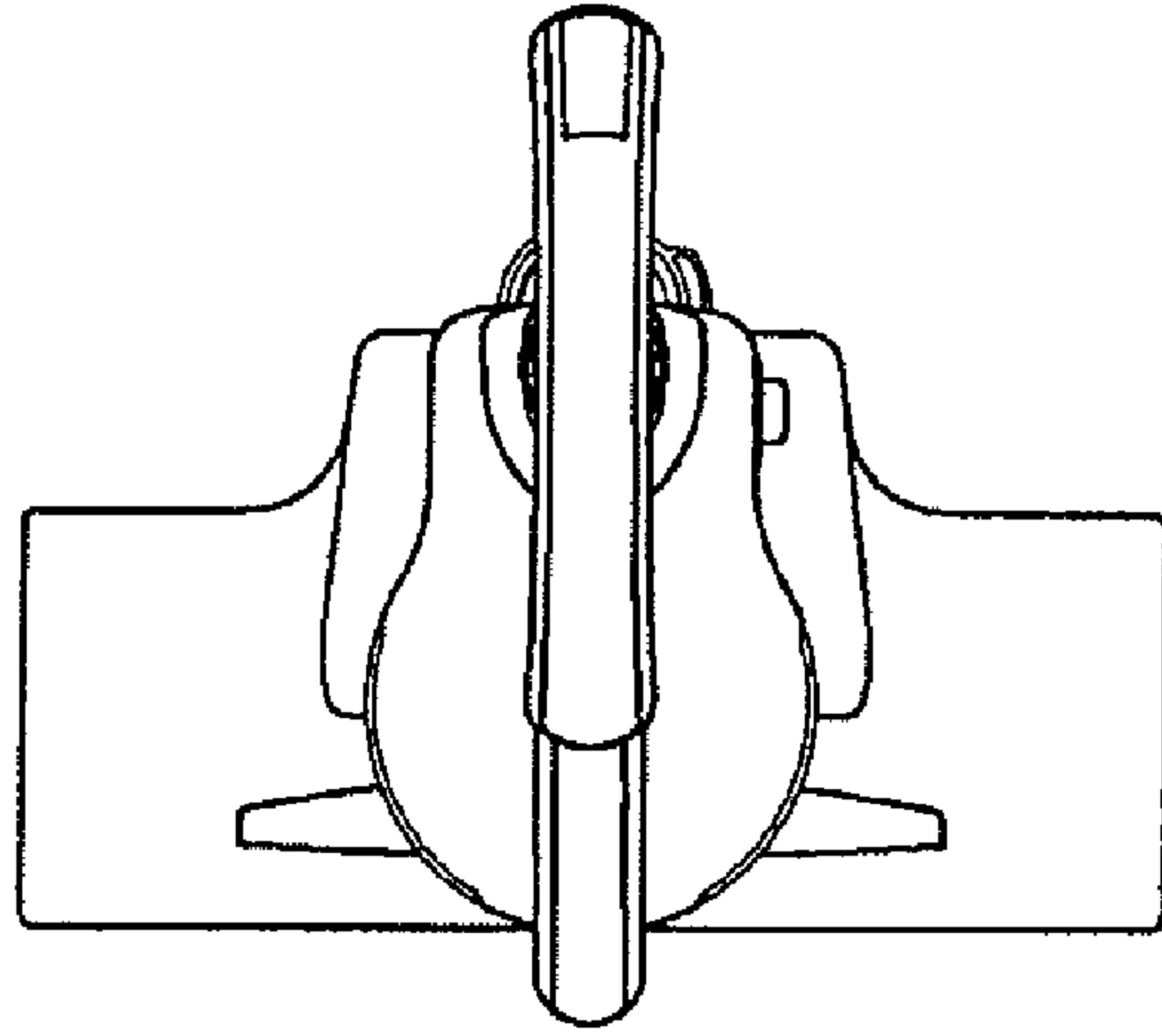


FIG. 3

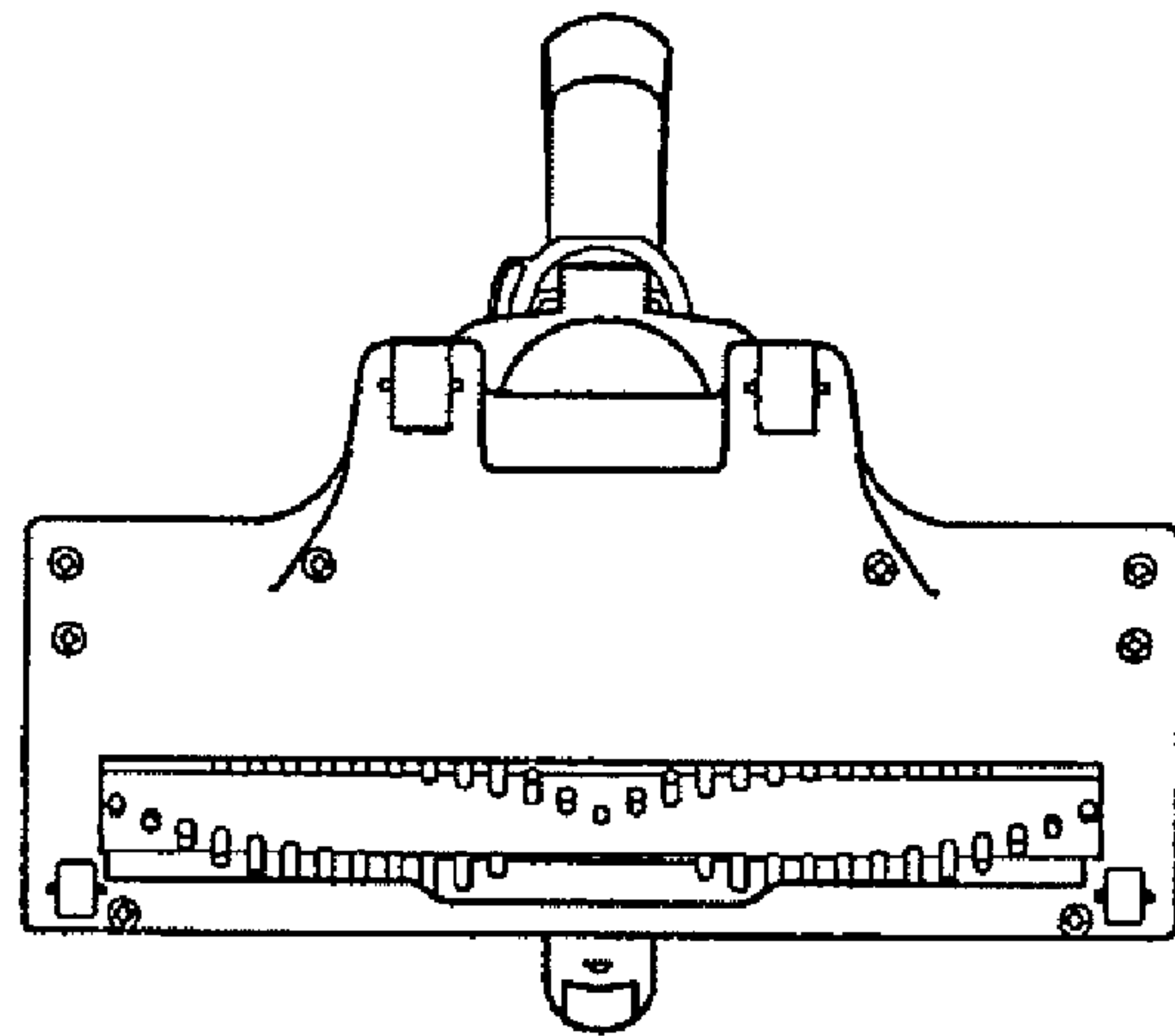


FIG. 7

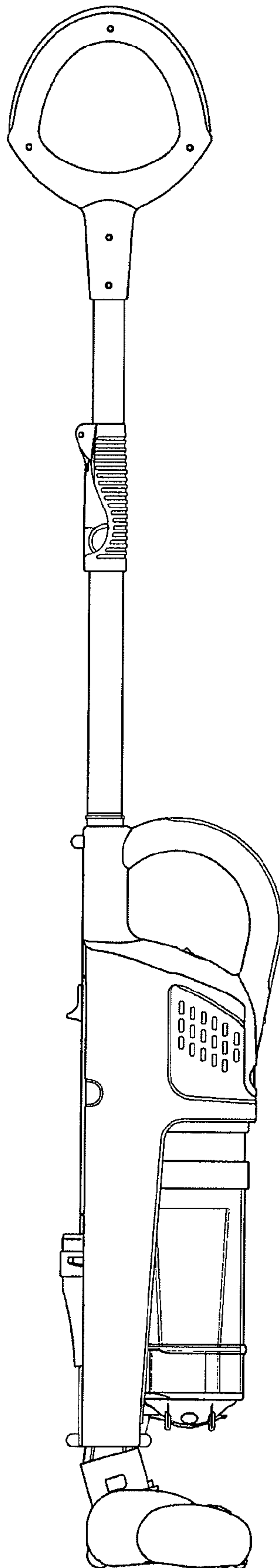


FIG. 4

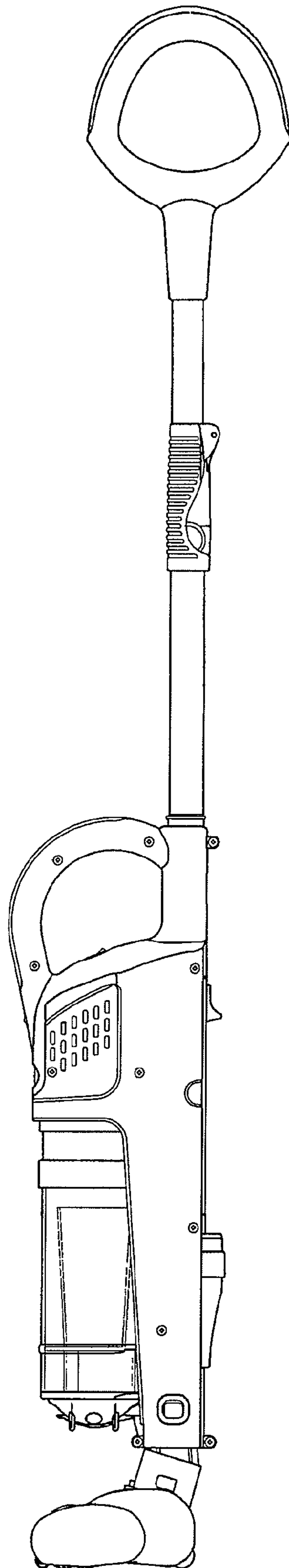


FIG. 5

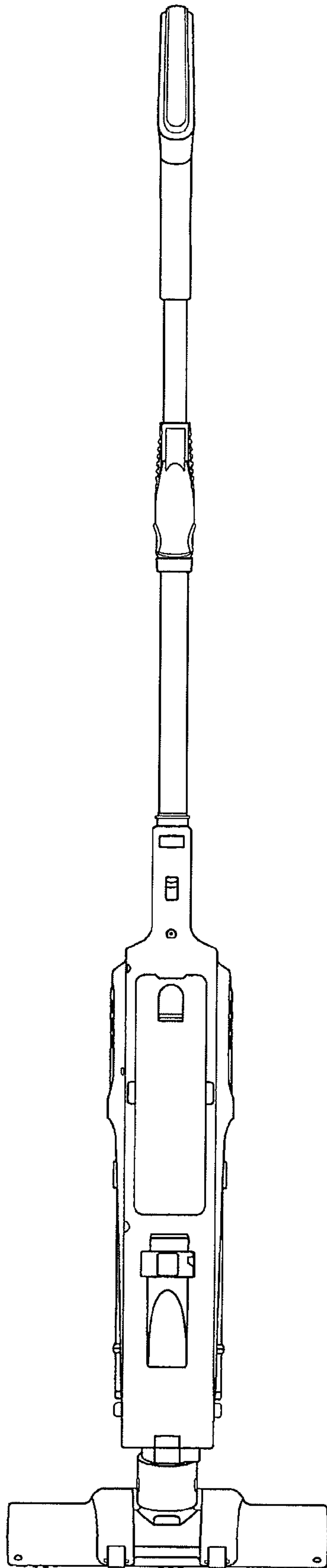


FIG.6