



US00D608961S

(12) **United States Design Patent**  
**Reese et al.**

(10) **Patent No.:** **US D608,961 S**  
(45) **Date of Patent:** **\*\* Jan. 26, 2010**

(54) **HAND VACUUM COMPONENT**

(75) Inventors: **Chad A. Reese**, Auburn, AL (US); **Mark Rosenzweig**, Chestnut Hill, MA (US); **Adrian C. Arnold**, Devon (GB)

(73) Assignee: **Euro-Pro Operating, LLC**, Newton, MA (US)

(\*\*) Term: **14 Years**

(21) Appl. No.: **29/339,090**

(22) Filed: **Jun. 24, 2009**

(51) **LOC (9) Cl.** ..... **15-05**

(52) **U.S. Cl.** ..... **D32/18**

(58) **Field of Classification Search** ..... D32/15-18,  
D32/22, 30-31, 34; 15/344, 329, 347, 352-353,  
15/331, 338, 412; 55/345, DIG. 3, 337, 429,  
55/459.1; 95/268, 271

See application file for complete search history.

(56) **References Cited**

**U.S. PATENT DOCUMENTS**

D301,649 S \* 6/1989 Yamamoto et al. .... D32/22  
D302,757 S \* 8/1989 Uemura ..... D32/18  
D307,656 S \* 5/1990 Yuen ..... D32/22  
D307,657 S \* 5/1990 Li ..... D32/22  
D348,548 S \* 7/1994 Pino ..... D32/18

D399,618 S \* 10/1998 Jacobs ..... D32/22  
D436,699 S \* 1/2001 Makihara et al. .... D32/22  
D507,385 S \* 7/2005 Ma ..... D32/18  
2009/0193614 A1 \* 8/2009 Moore et al. .... 15/347

\* cited by examiner

*Primary Examiner*—Ruth McInroy

(74) *Attorney, Agent, or Firm*—McCarter & English, LLP;  
Michael I. Wolfson

(57) **CLAIM**

The ornamental design for a hand vacuum component, as shown and described.

**DESCRIPTION**

FIG. 1 is a lower, left front perspective view of a hand vacuum component showing our new design;

FIG. 2 is a front elevational view thereof;

FIG. 3 is a top plan view thereof;

FIG. 4 is a left side elevational view thereof;

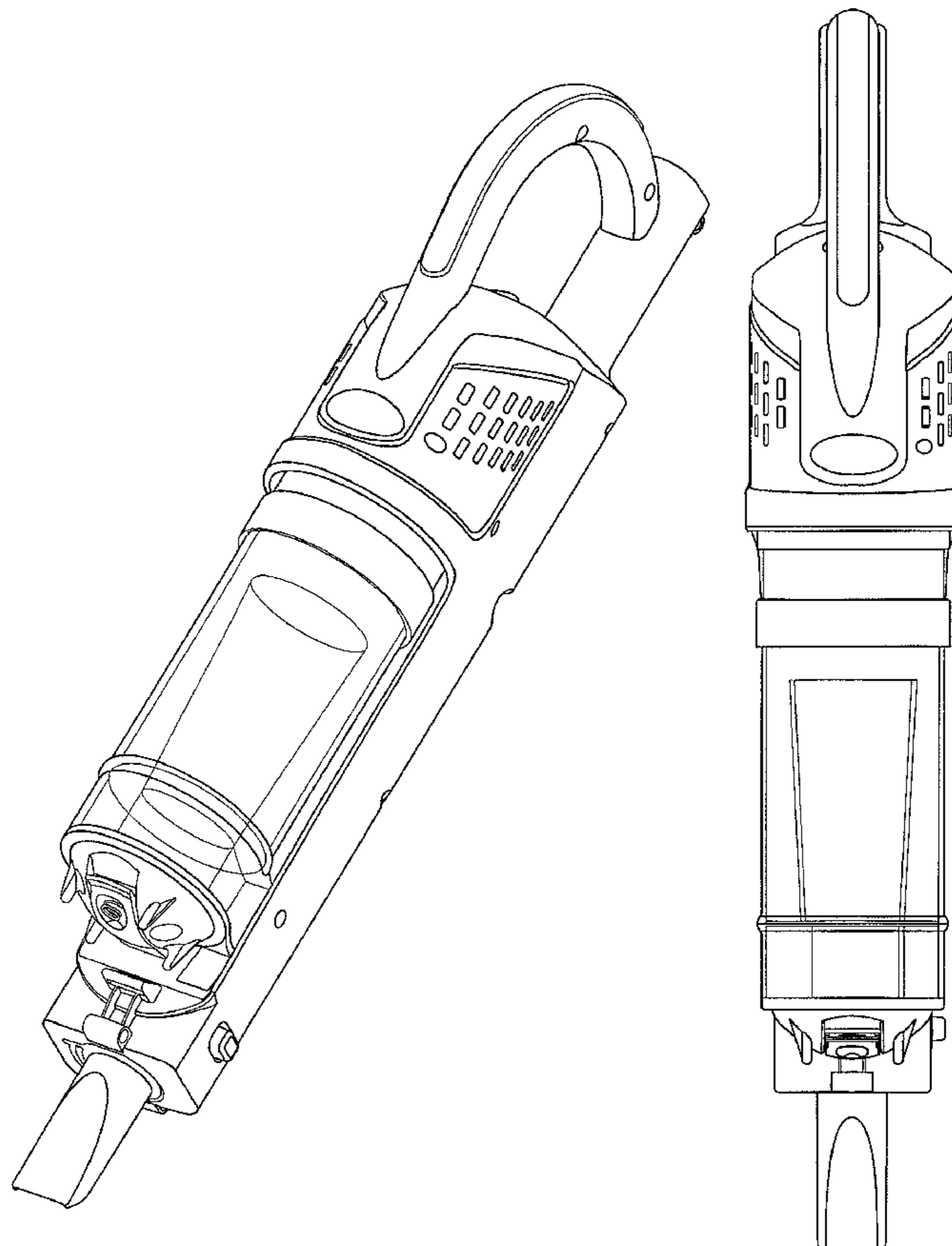
FIG. 5 is a right side elevational view thereof;

FIG. 6 is a rear elevational view thereof;

FIG. 7 is a bottom plan view thereof; and,

FIG. 8 is a left perspective view thereof.

**1 Claim, 7 Drawing Sheets**



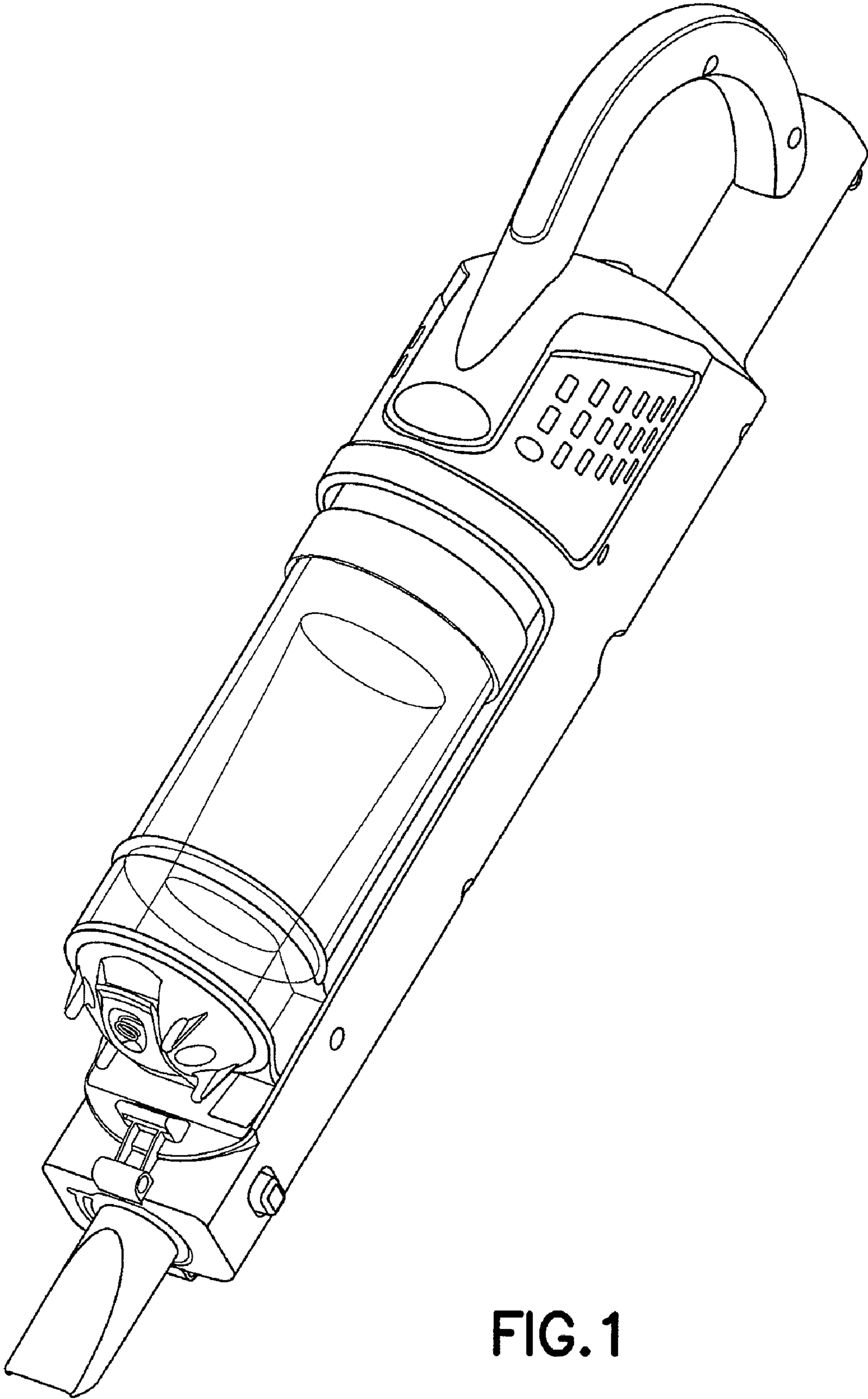


FIG. 1

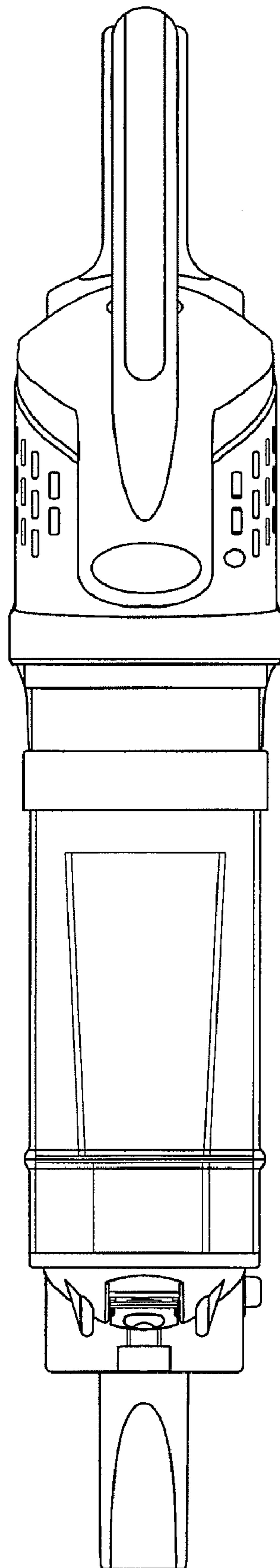


FIG.2

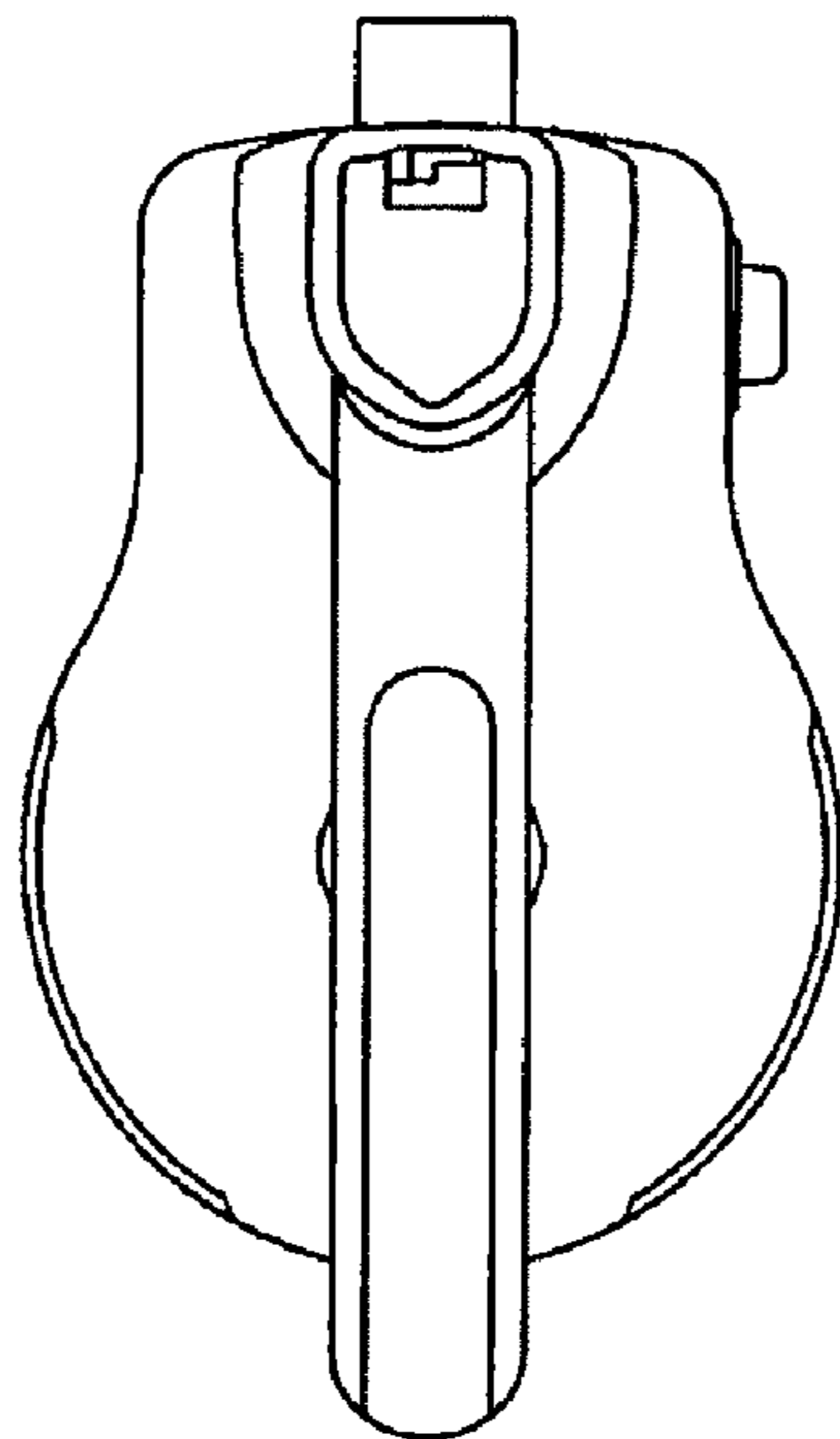


FIG. 3

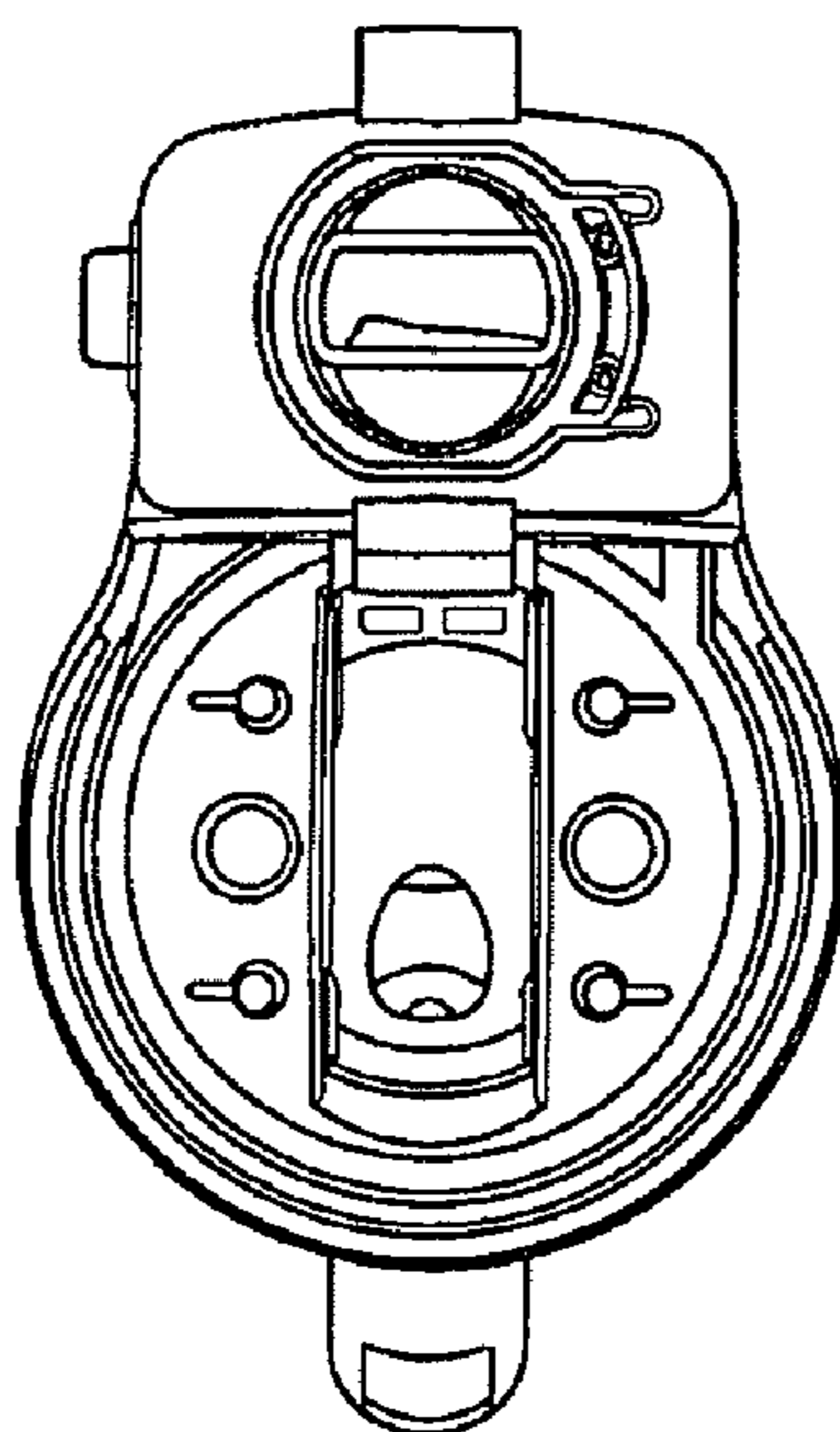


FIG. 7

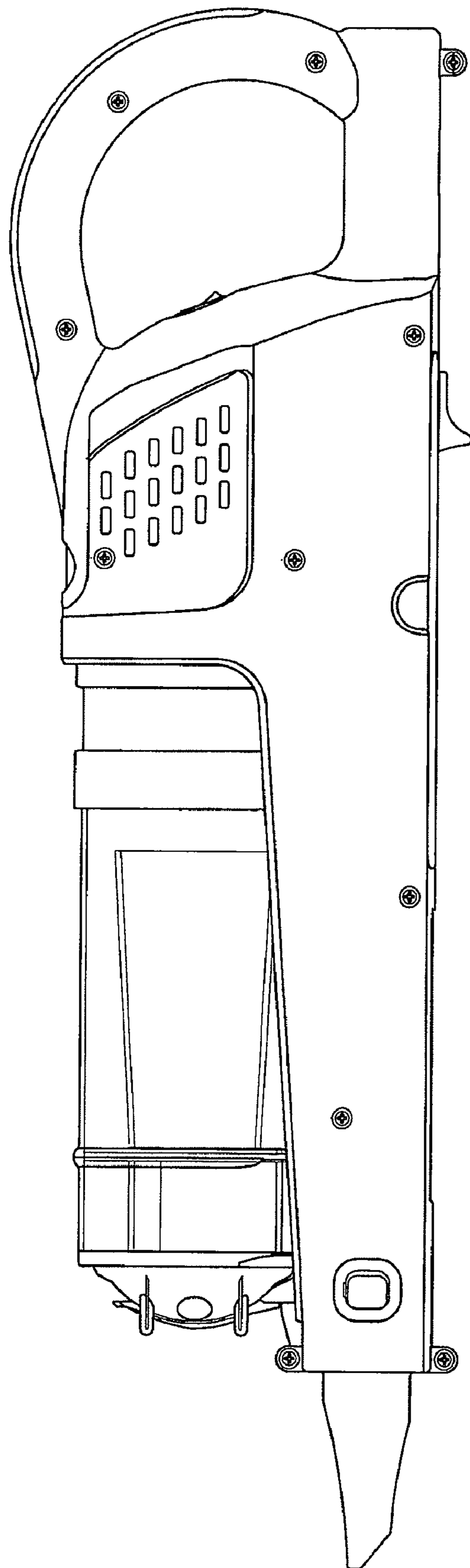


FIG.4

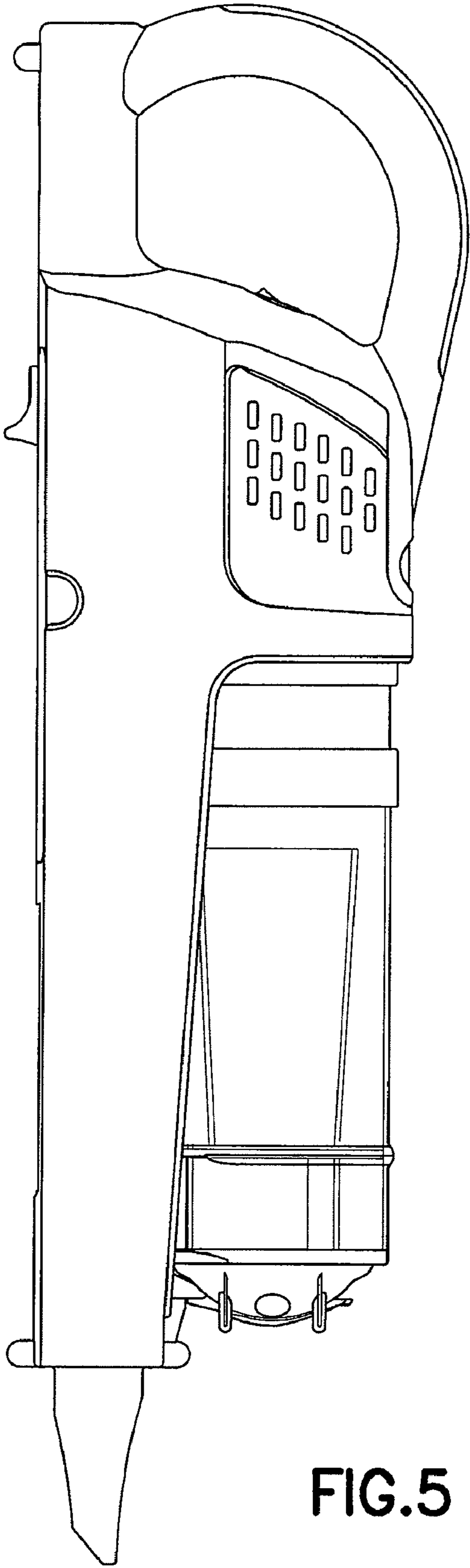


FIG.5

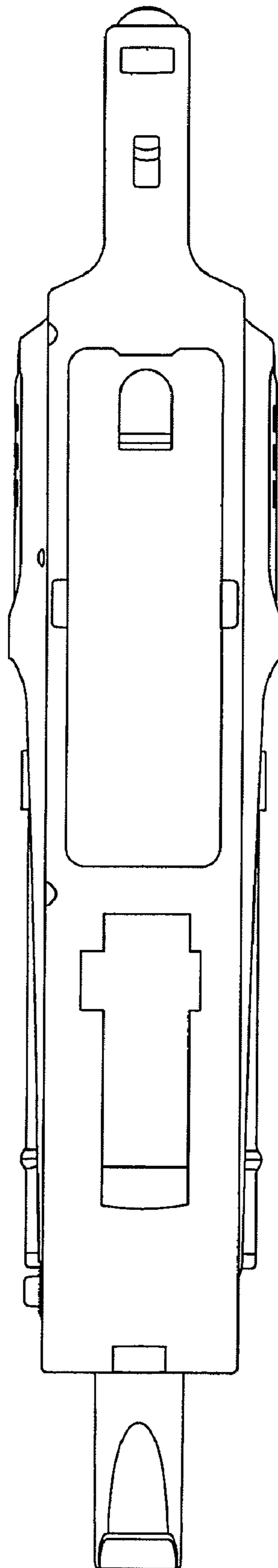


FIG.6

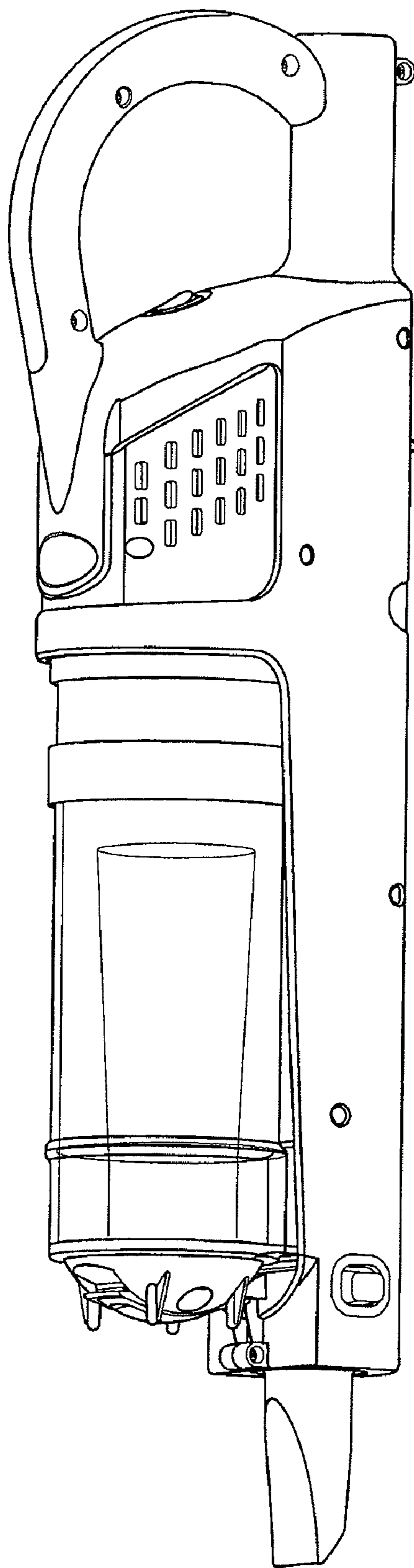


FIG.8