



US00D608960S

(12) **United States Design Patent**  
**Gaa et al.**

(10) **Patent No.:** **US D608,960 S**  
(45) **Date of Patent:** **\*\* Jan. 26, 2010**

(54) **DISPENSING DEVICE**

(75) Inventors: **Stefan Gaa**, Haryana (IN); **Chris Efstathios Housmekerides**, Ludwigshafen (DE)

(73) Assignee: **Reckitt Benckiser N.V.**, Hoofddrop (NL)

(\*\*) Term: **14 Years**

(21) Appl. No.: **29/279,154**

(22) Filed: **Apr. 20, 2007**

(30) **Foreign Application Priority Data**

Oct. 24, 2006 (EM) ..... 000609417-0001

(51) **LOC (9) Cl.** ..... **15-05**

(52) **U.S. Cl.** ..... **D32/3**

(58) **Field of Classification Search** ..... D32/1, D32/5, 6, 10, 29.1, 2, 3, 25; 15/353; D23/200, D23/207, 209, 210; 134/113, 201

See application file for complete search history.

(56) **References Cited**

**U.S. PATENT DOCUMENTS**

|           |     |         |                  |       |         |
|-----------|-----|---------|------------------|-------|---------|
| 2,642,310 | A * | 6/1953  | Meek et al.      | ..... | 239/35  |
| D269,801  | S * | 7/1983  | Sangster et al.  | ..... | D23/207 |
| D280,757  | S * | 9/1985  | Paulovich et al. | ..... | D23/207 |
| 4,643,881 | A * | 2/1987  | Alexander et al. | ..... | 422/265 |
| D328,333  | S * | 7/1992  | Casberg          | ..... | D23/208 |
| D481,844  | S * | 11/2003 | Greene et al.    | ..... | D32/30  |

|          |     |         |          |       |         |
|----------|-----|---------|----------|-------|---------|
| D526,043 | S * | 8/2006  | Thompson | ..... | D23/208 |
| D532,298 | S * | 11/2006 | Vogel    | ..... | D9/447  |
| D539,993 | S * | 4/2007  | Brandt   | ..... | D32/3   |
| D547,912 | S * | 7/2007  | Brandt   | ..... | D32/3   |

\* cited by examiner

*Primary Examiner*—T. Chase Nelson

*Assistant Examiner*—Kathleen M Sims

(74) *Attorney, Agent, or Firm*—Norris, McLaughlin & Marcus

(57) **CLAIM**

The ornamental design for a dispensing device, as shown and described.

**DESCRIPTION**

FIG. 1 is a front perspective view of a dispensing device showing our new design;

FIG. 2 is a plan view of the top thereof;

FIG. 3 is a plan view of the bottom thereof;

FIG. 4 is an elevation view of the right side thereof;

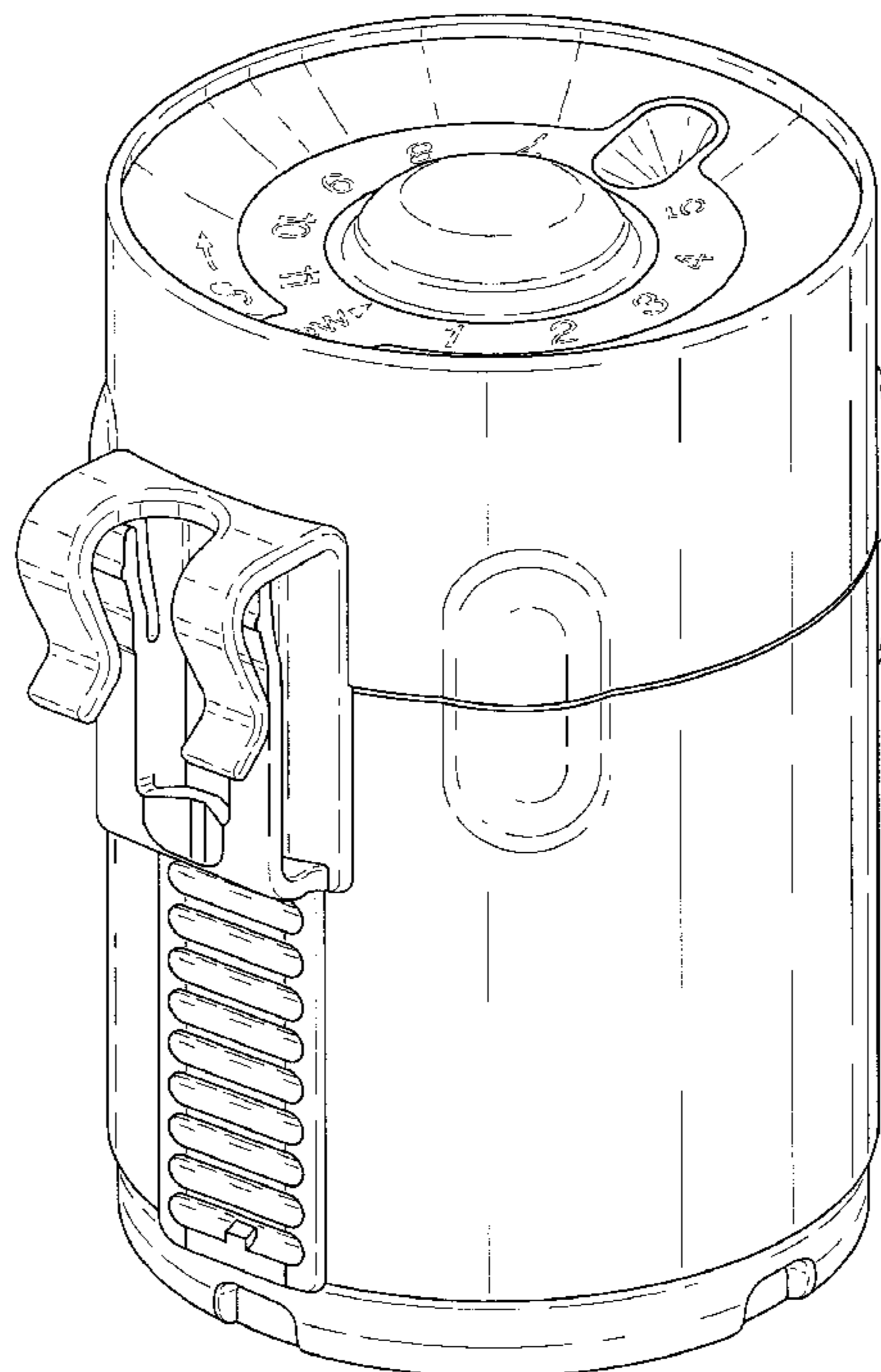
FIG. 5 is an elevation view of the left side thereof;

FIG. 6 is an elevation view of the front thereof; and,

FIG. 7 is an elevation view of the rear thereof.

The broken line showing of the numbers, text, symbols and arrows in FIGS. 1 and 2 is included for the purpose of showing environmental portions of the dispensing device and forms no part of the claimed design.

**1 Claim, 7 Drawing Sheets**



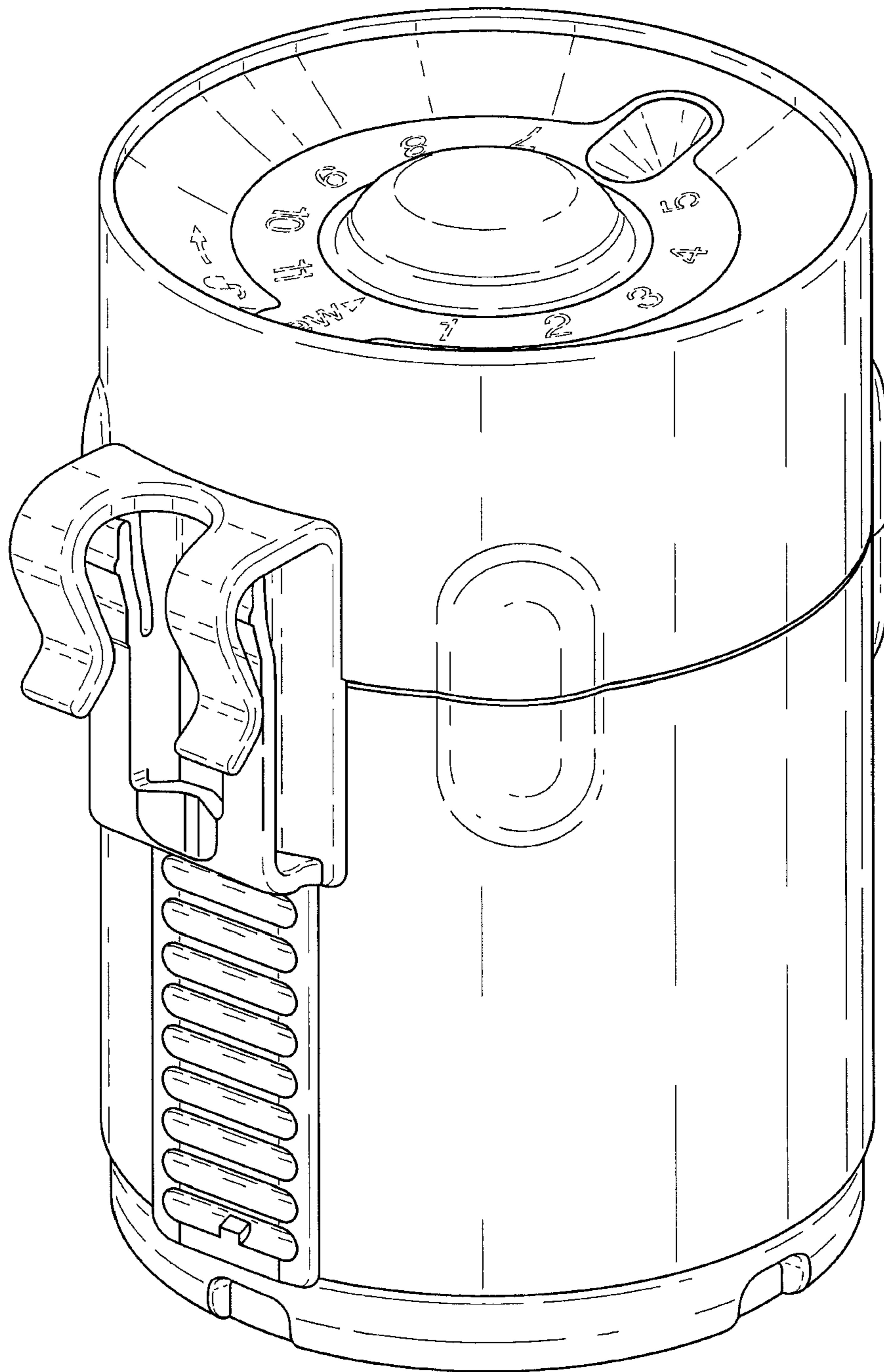


Fig.1.

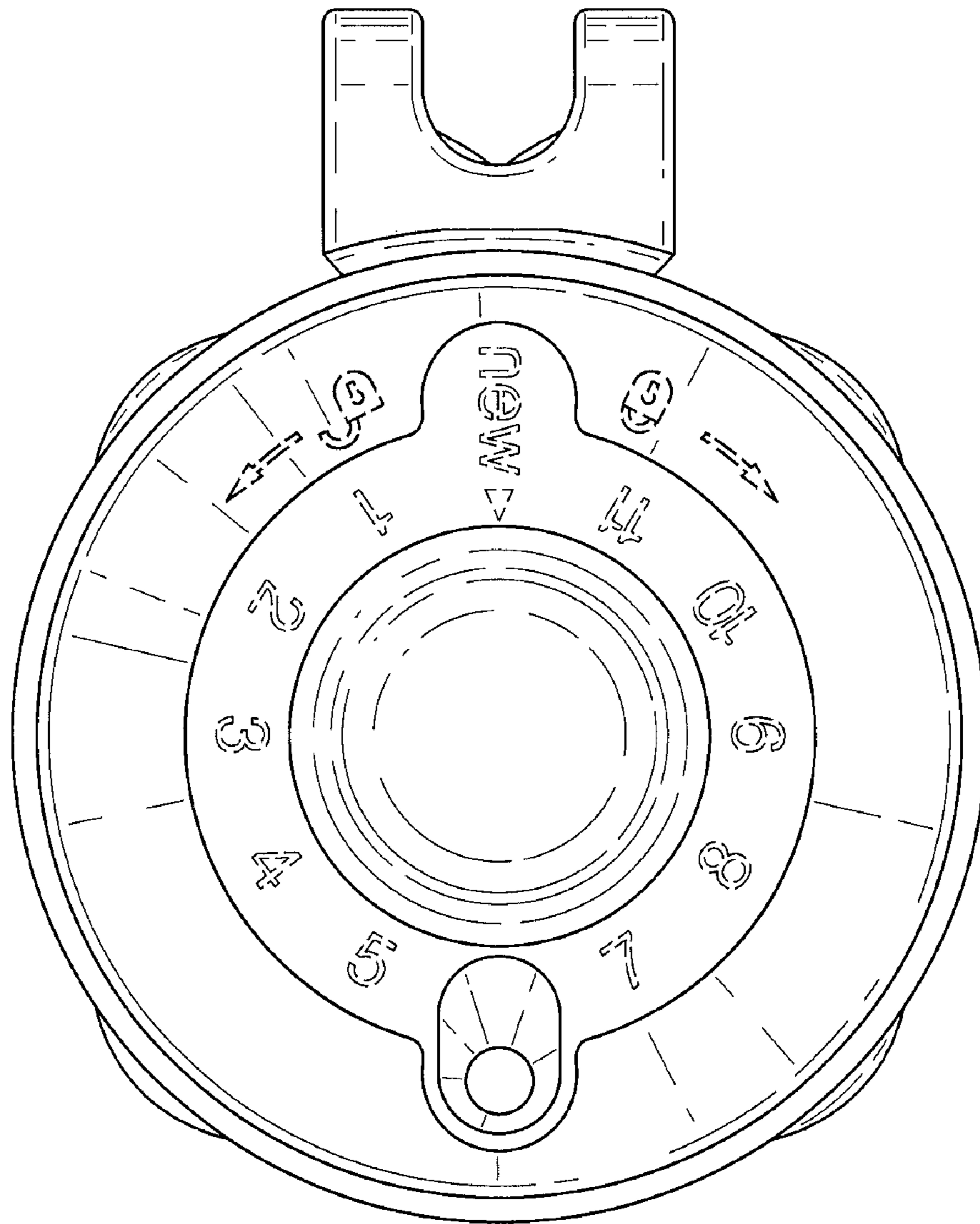


Fig.2.

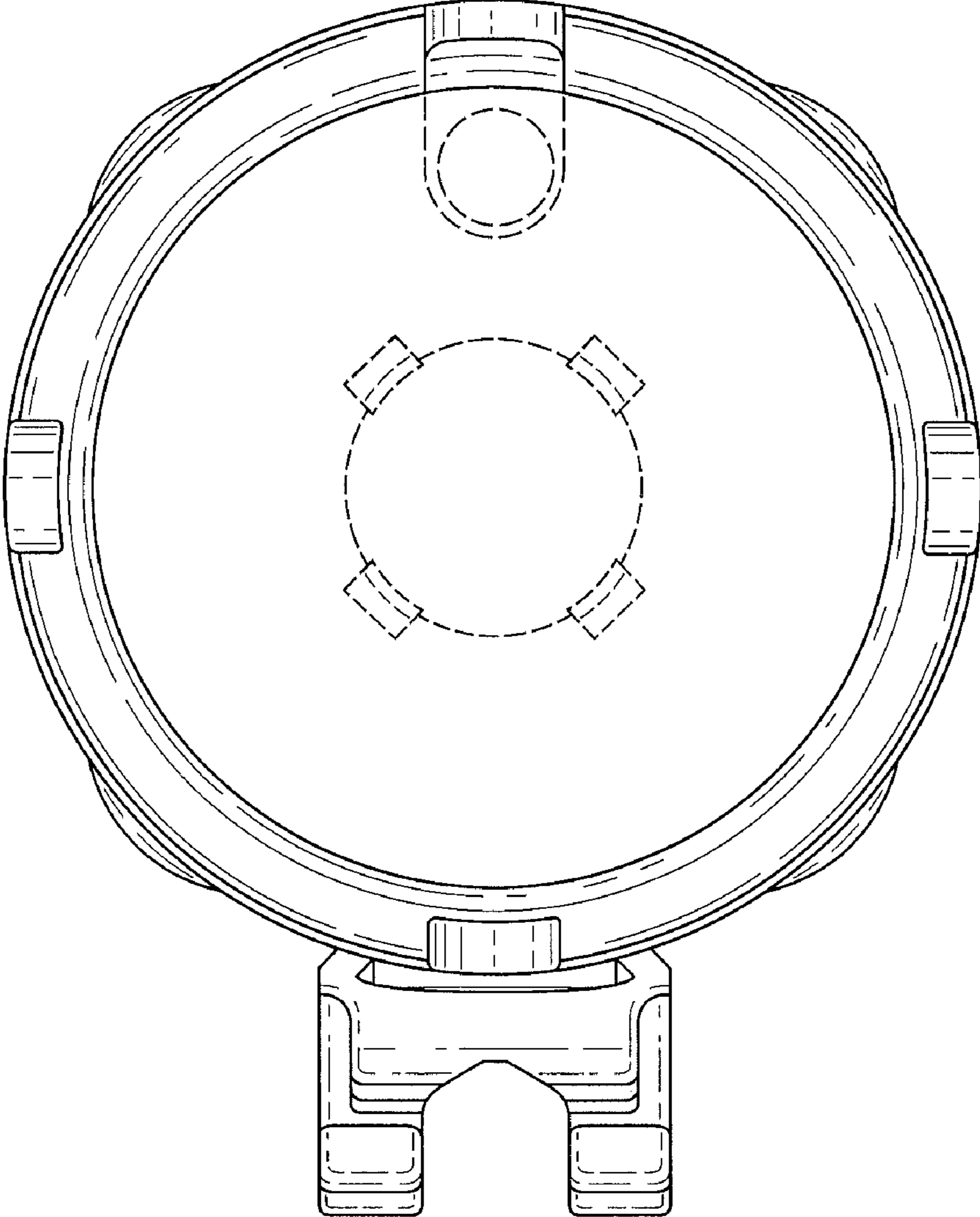


Fig.3.

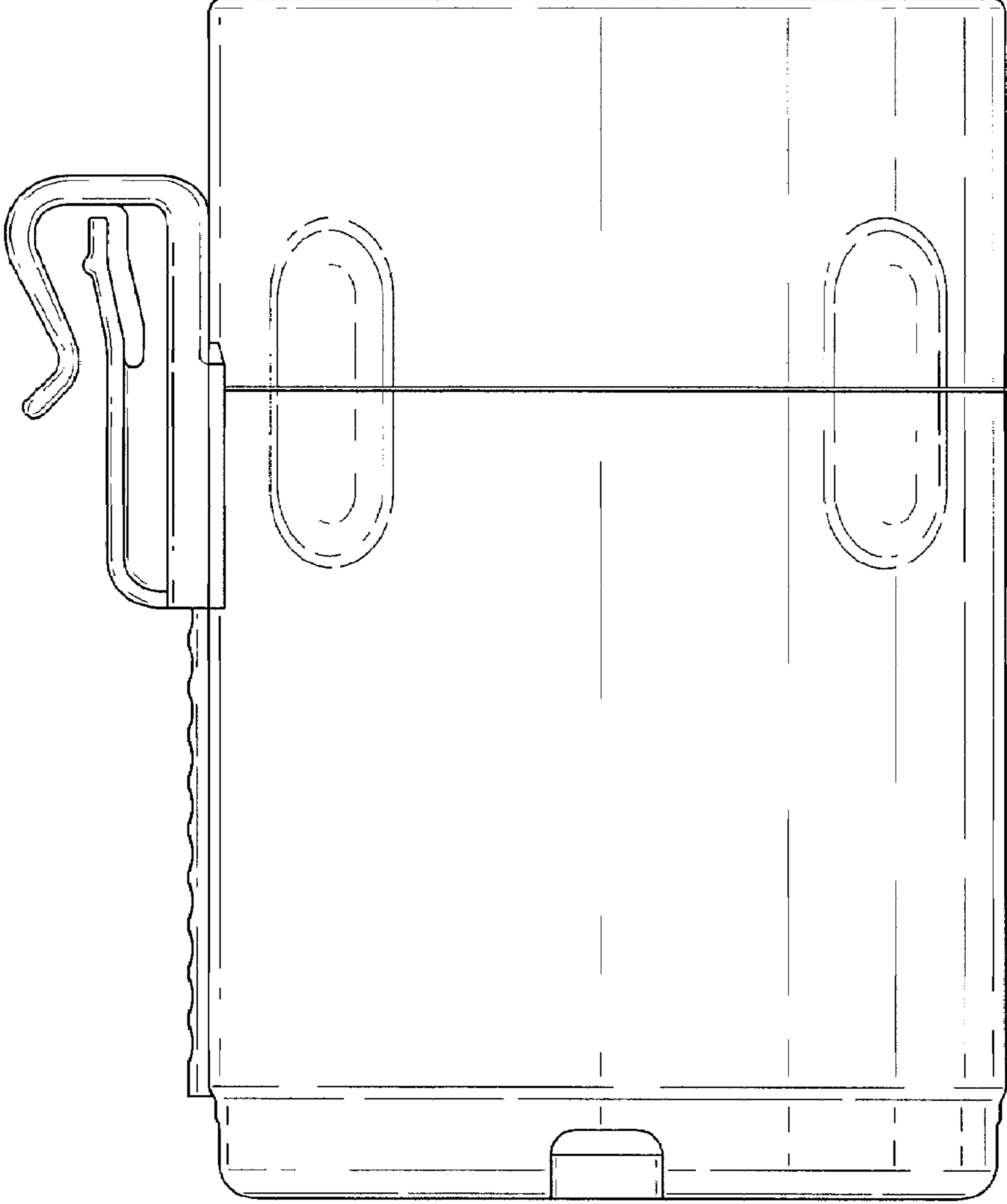


Fig.4.

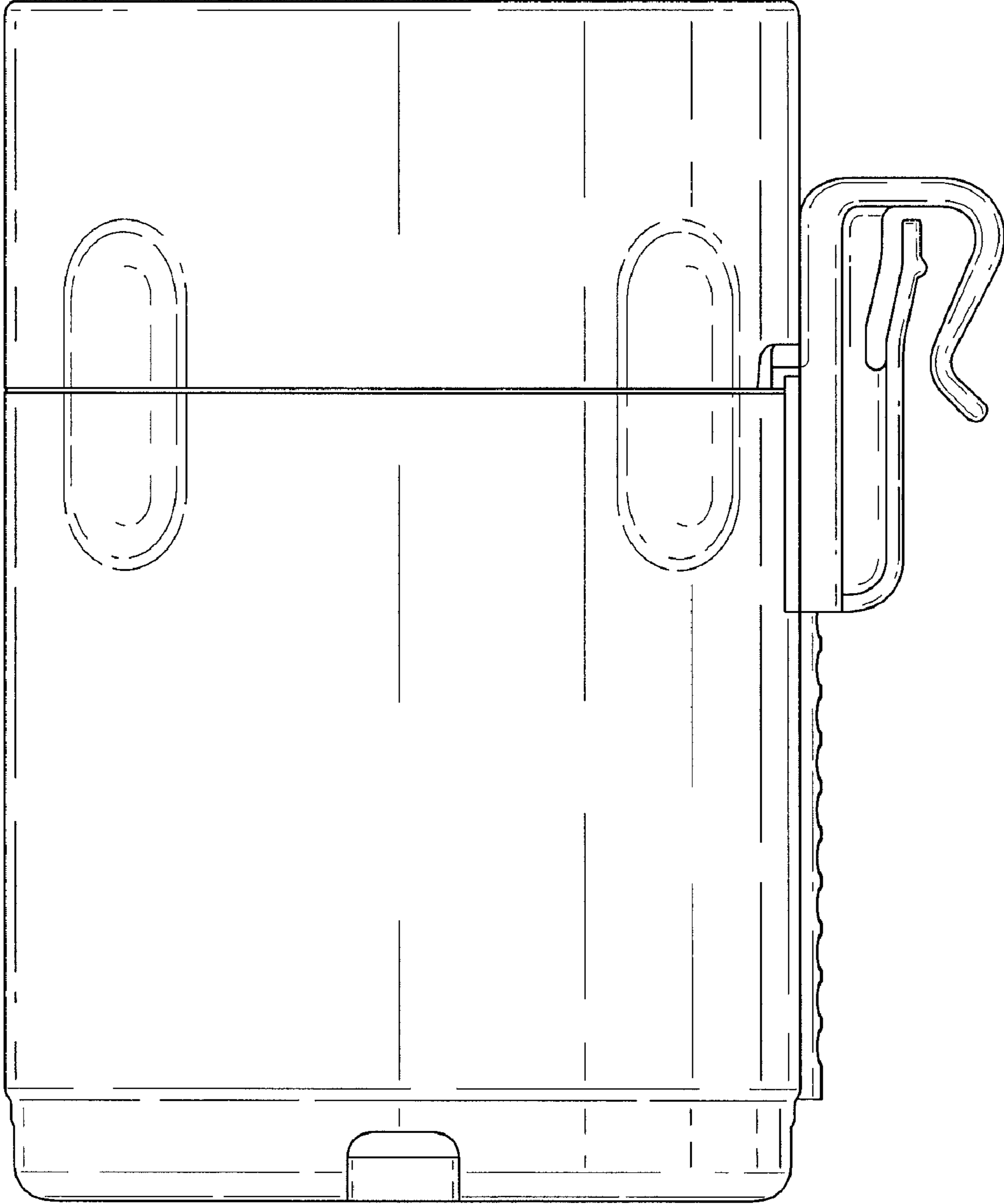


Fig.5.

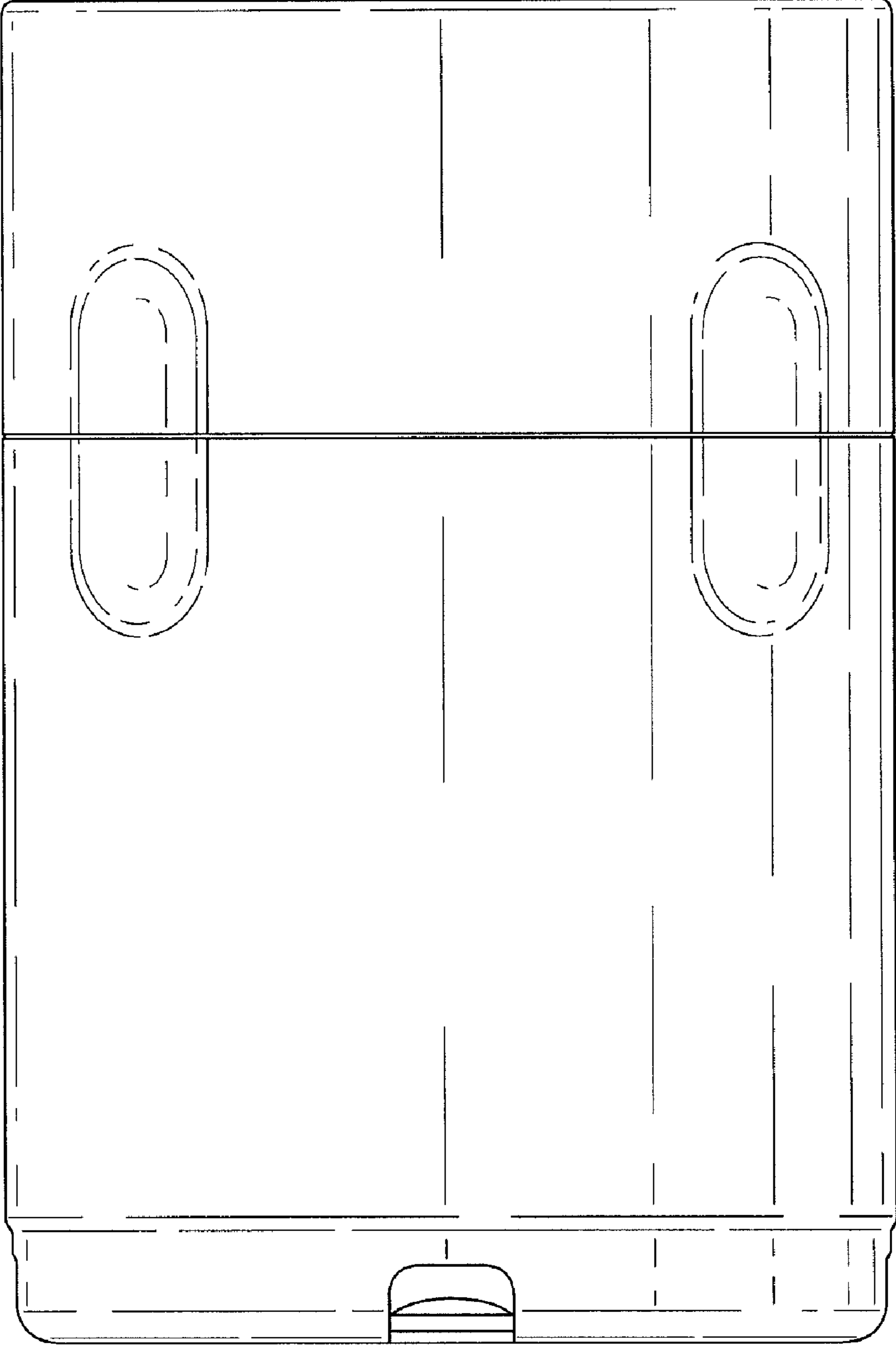


Fig.6.

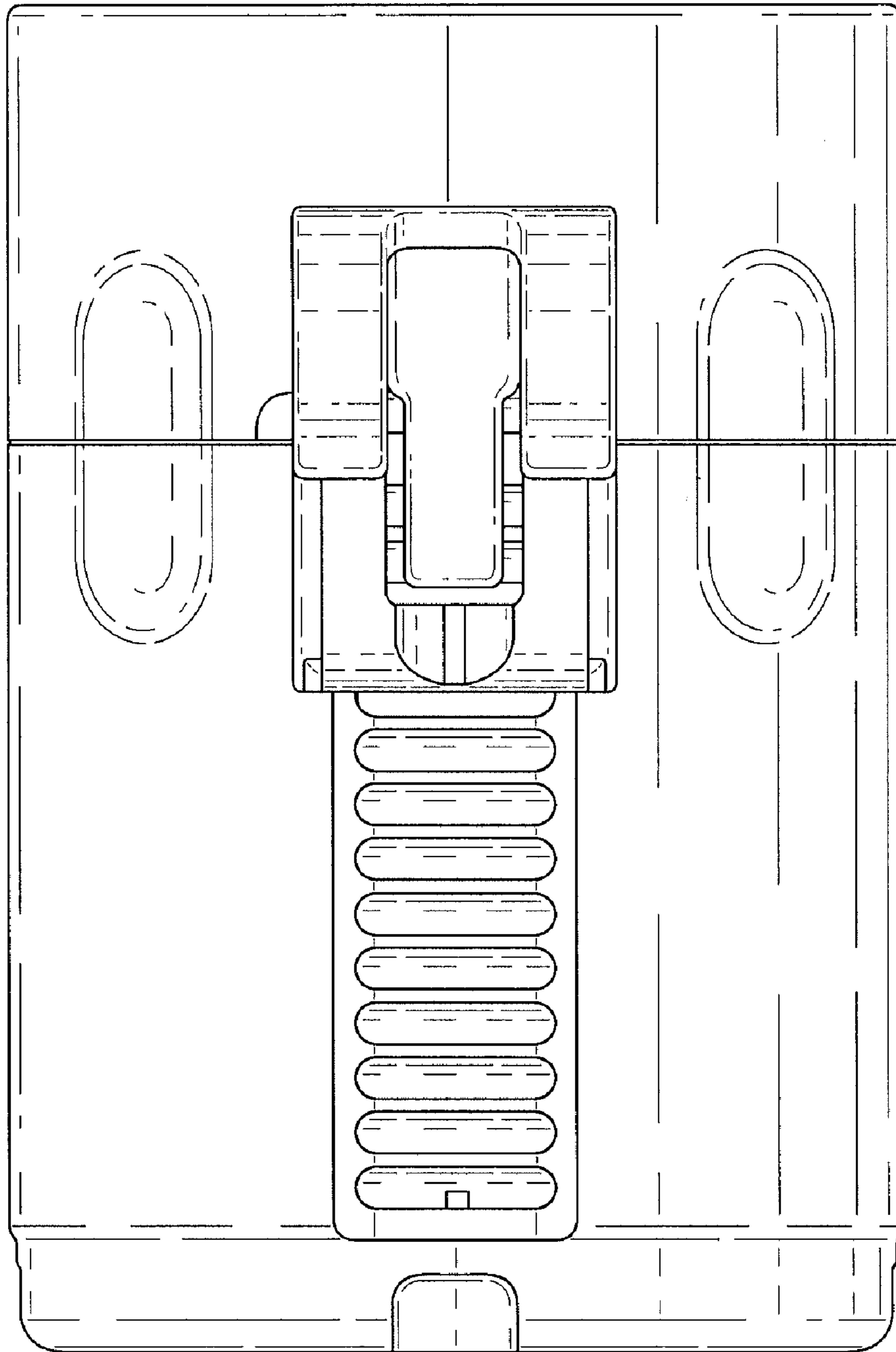


Fig.7.