



US00D608954S

(12) **United States Design Patent**
Tharp

(10) **Patent No.:** **US D608,954 S**

(45) **Date of Patent:** **** Jan. 26, 2010**

(54) **BIRD TRANSPORT CARRIER**

(76) Inventor: **William Tharp**, 1817 Sandlewood Dr.,
Sarasota, FL (US) 34231

(**) Term: **14 Years**

(21) Appl. No.: **29/308,065**

(22) Filed: **May 27, 2008**

(51) **LOC (9) Cl.** **30-02**

(52) **U.S. Cl.** **D30/109**

(58) **Field of Classification Search** D30/108-111;
119/459-471, 453, 496-497

See application file for complete search history.

(56) **References Cited**

U.S. PATENT DOCUMENTS

D167,436 S *	8/1952	Yellin	D30/109
D171,740 S *	3/1954	Yellin	D30/109
3,490,417 A *	1/1970	Swinney	119/496
D308,429 S *	6/1990	VanSkiver	D30/109
D312,333 S *	11/1990	Van Skiver	D30/109
D314,251 S *	1/1991	Van Skiver	D30/109
5,154,137 A *	10/1992	Stanaland	119/496

D374,510 S * 10/1996 Barreto et al. D30/108

* cited by examiner

Primary Examiner—Mitchell I Siegel

(74) *Attorney, Agent, or Firm*—Charles J. Prescott

(57) **CLAIM**

The ornamental design for a bird transport carrier, as shown and described.

DESCRIPTION

FIG. 1 is a perspective view of a bird transport carrier showing my new design;

FIG. 2 is a front elevational view thereof;

FIG. 3 is a rear elevational view thereof;

FIG. 4 is a left side elevational view thereof;

FIG. 5 is a right side elevational view thereof;

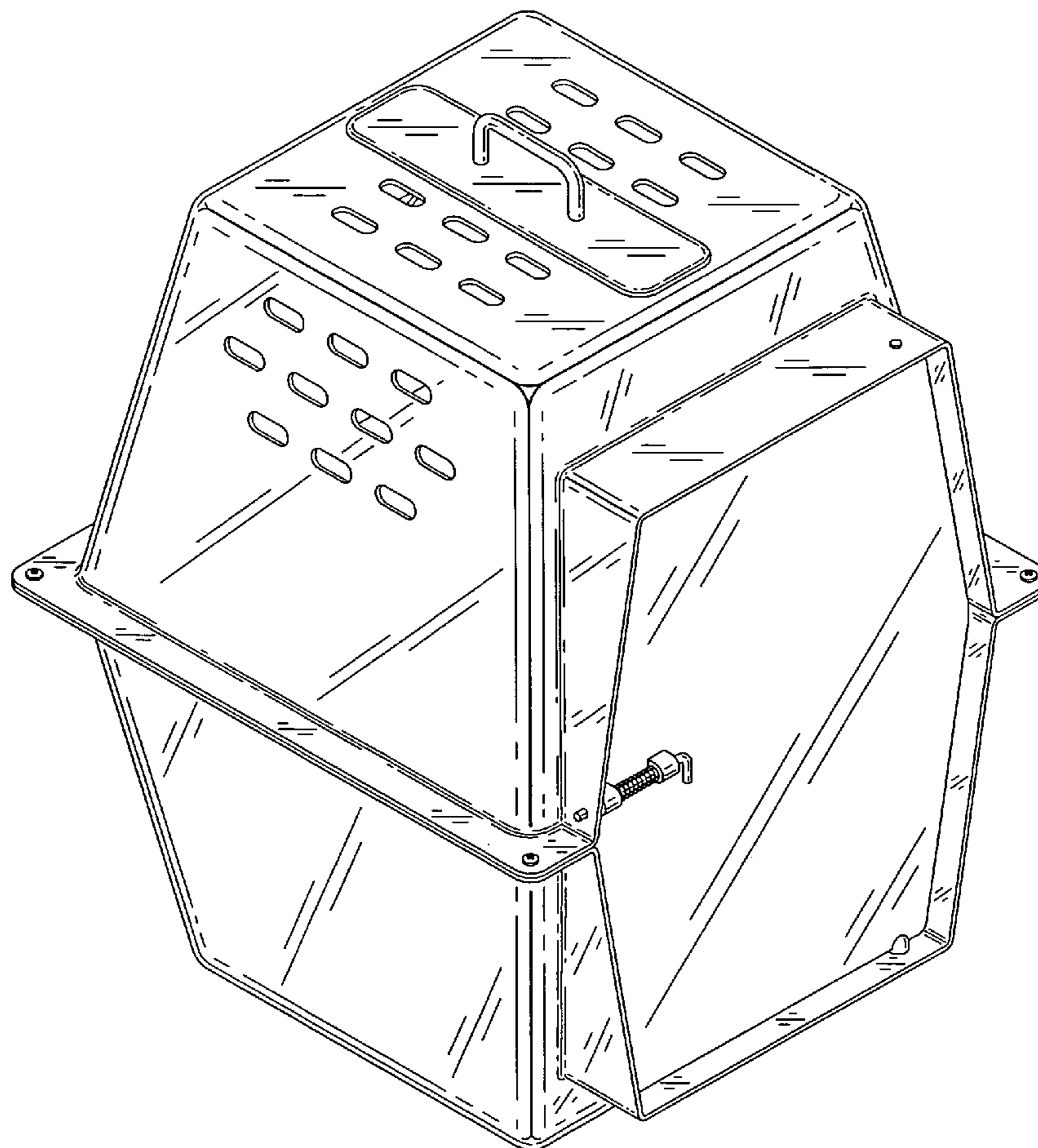
FIG. 6 is a top plan view thereof;

FIG. 7 is a bottom plan view thereof;

FIG. 8 is a perspective view of an alternate embodiment of my bird transport carrier; and,

FIG. 9 is a front elevational view of FIG. 8.

1 Claim, 9 Drawing Sheets



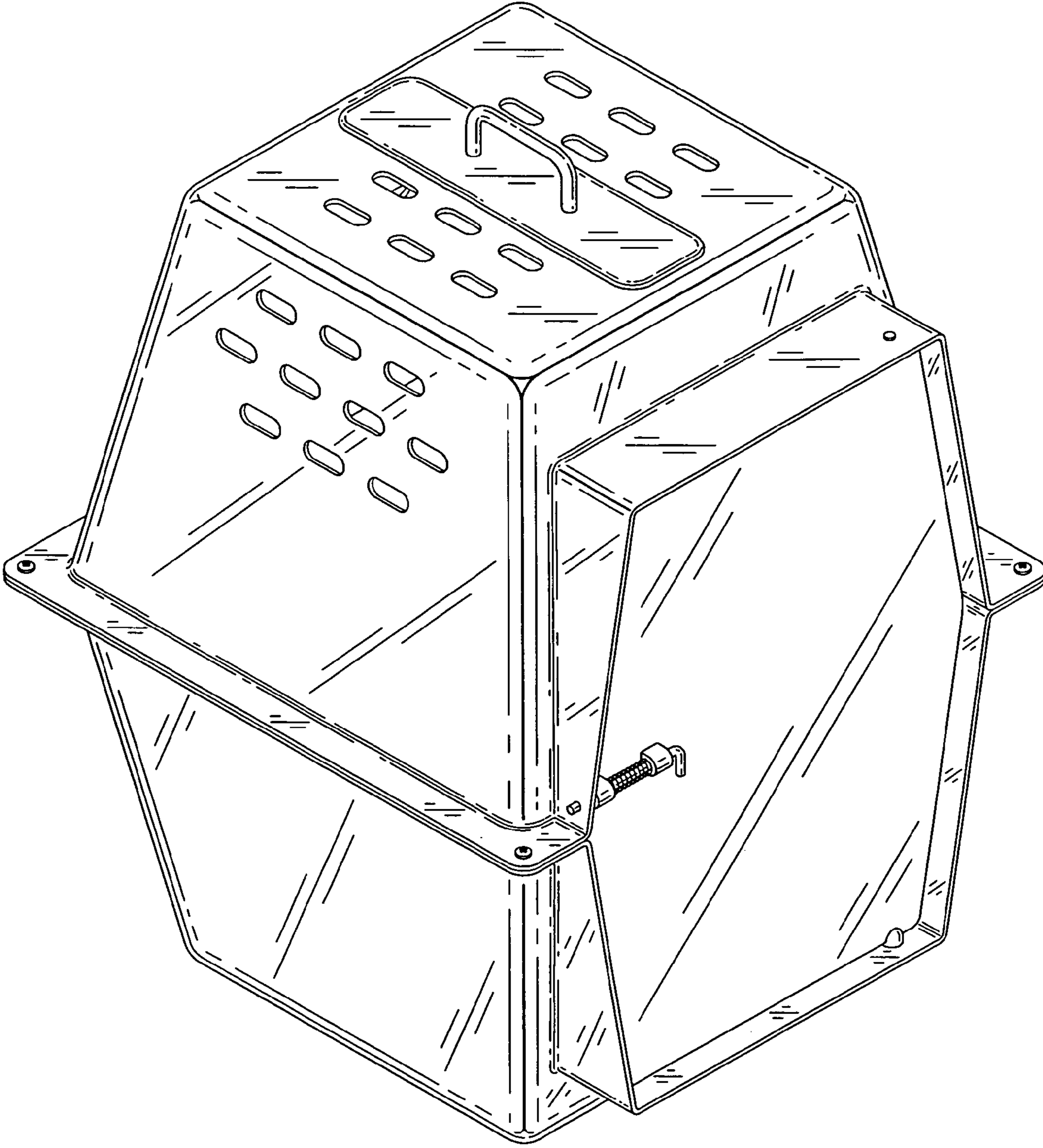


FIG. 1

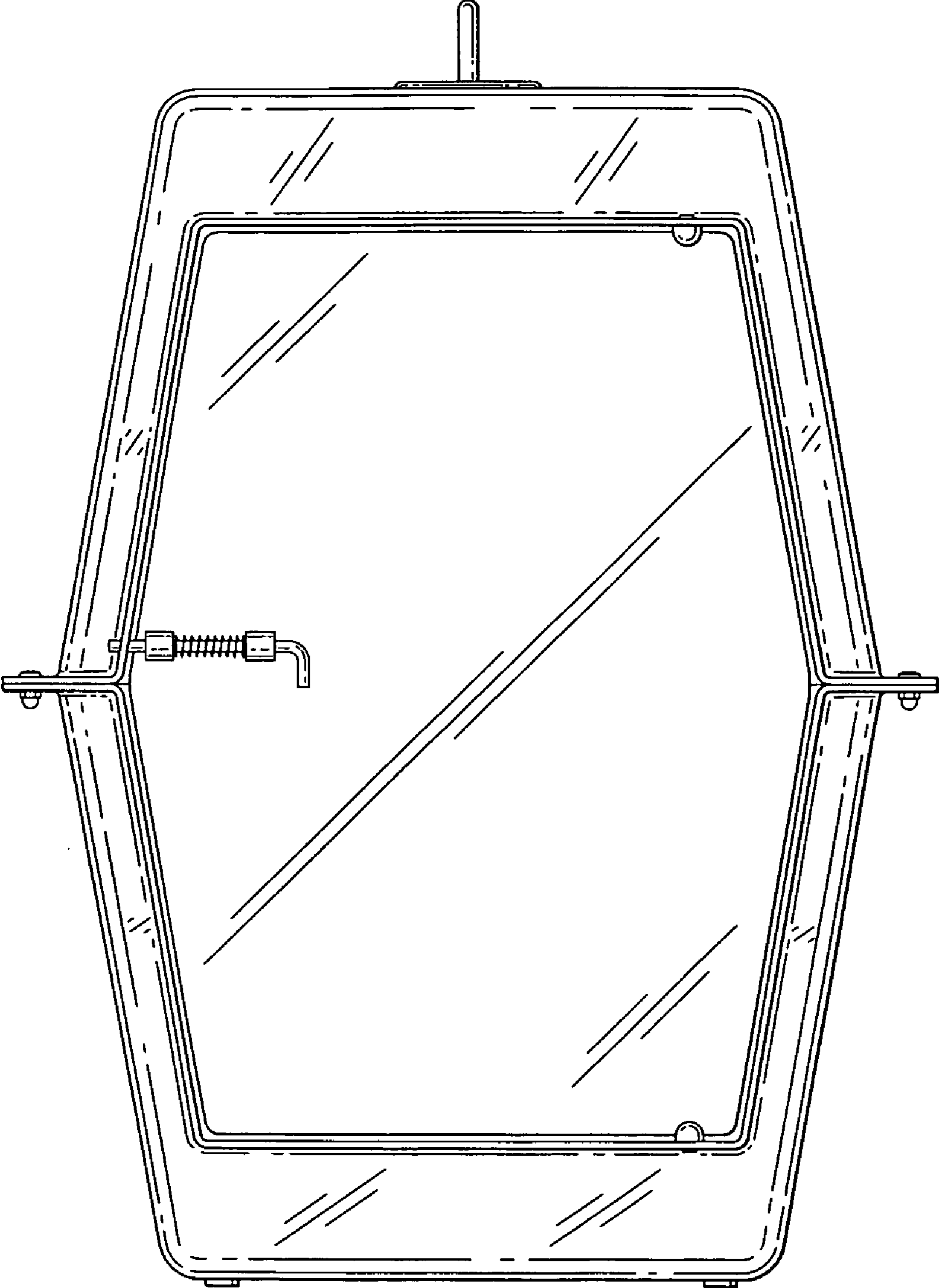


FIG. 2

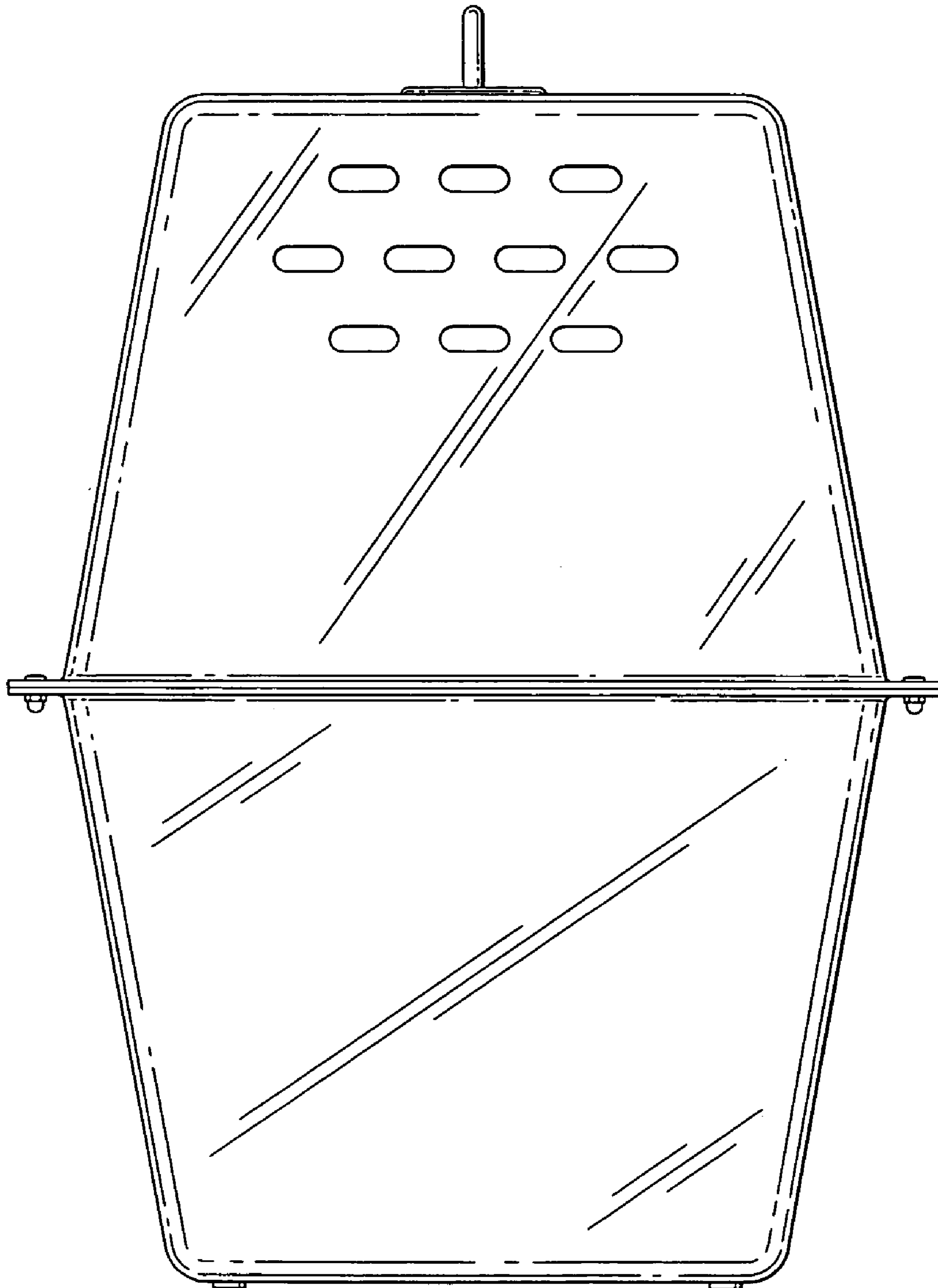


FIG. 3

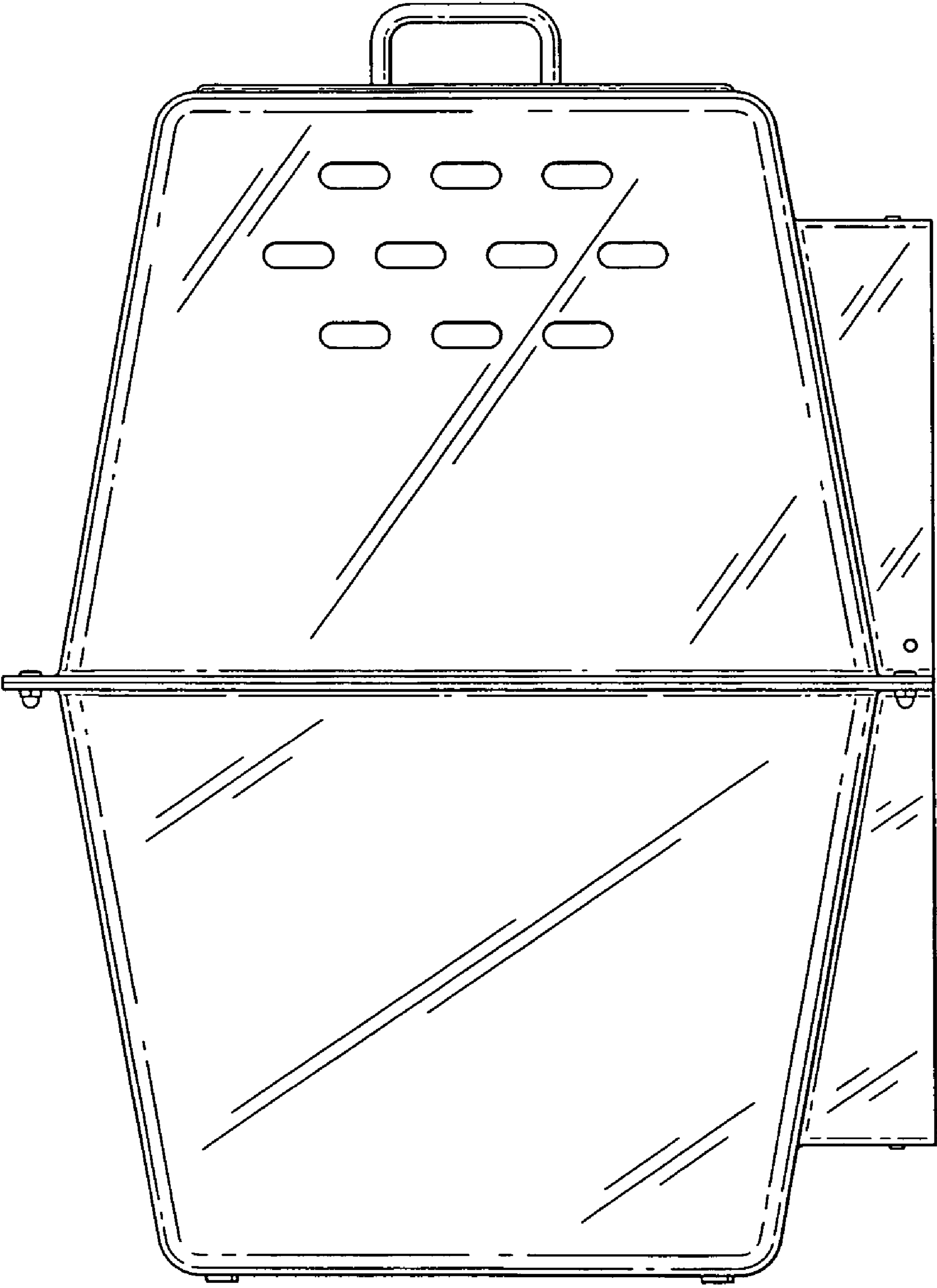


FIG. 4

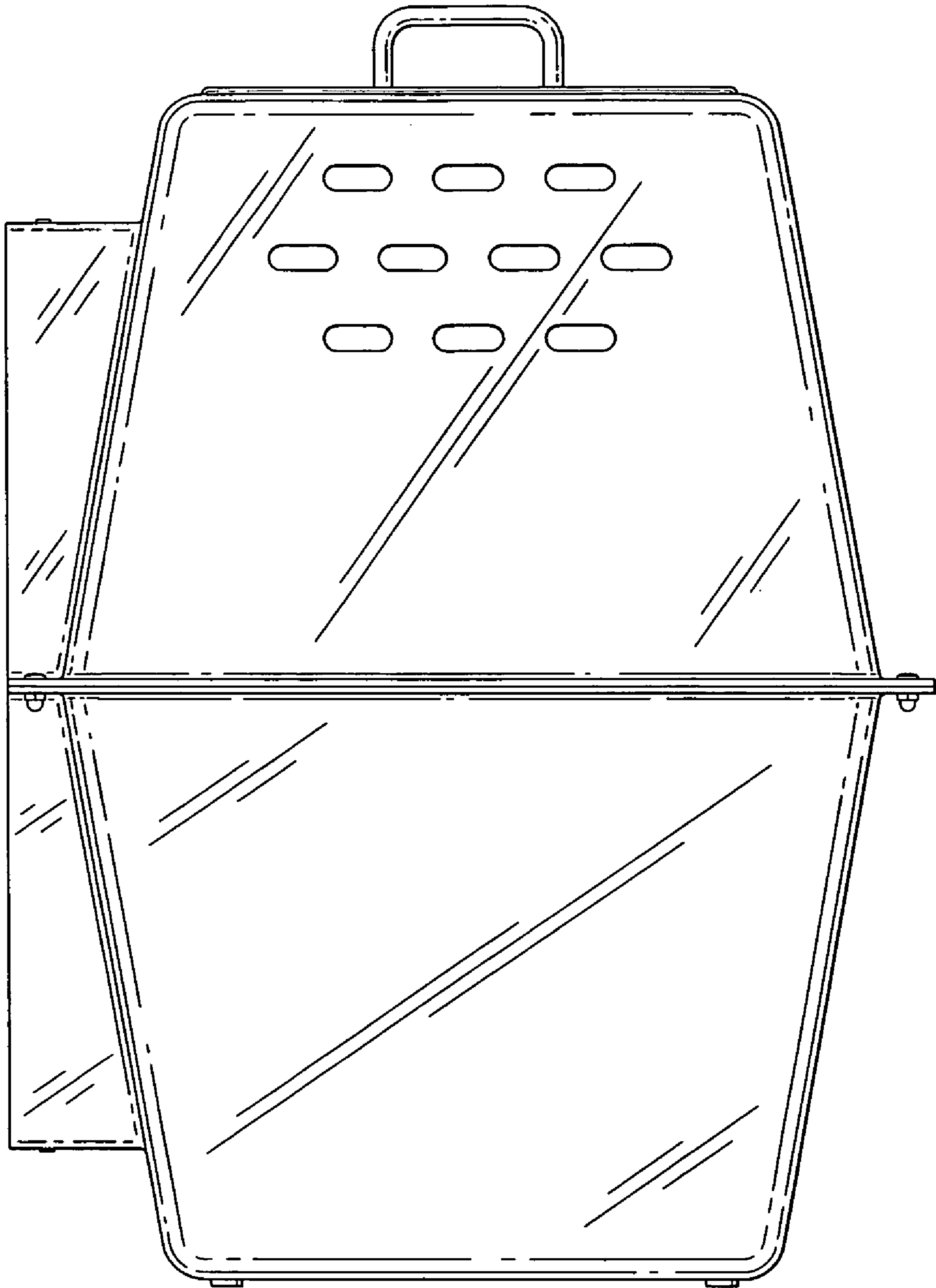


FIG. 5

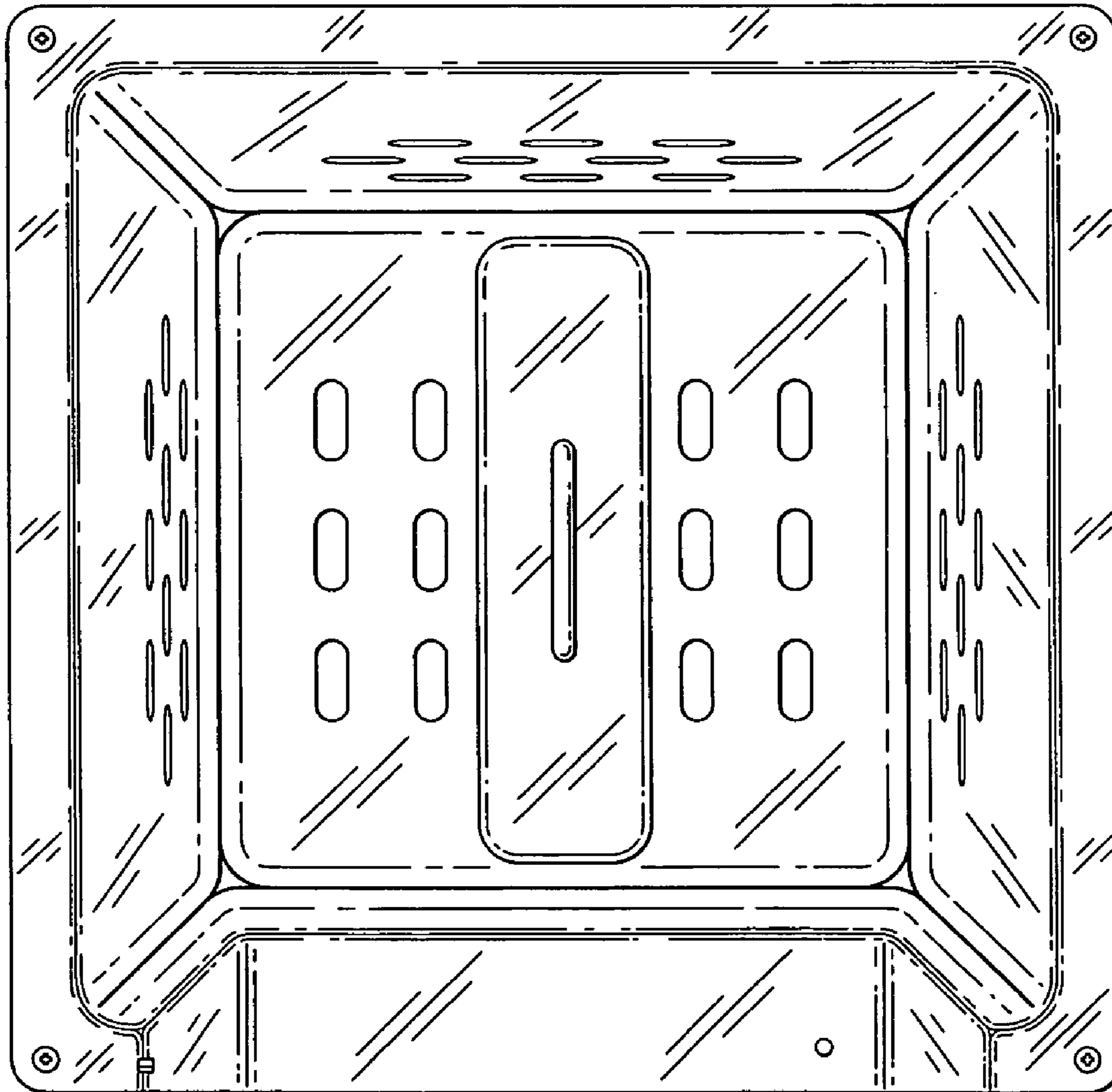


FIG. 6

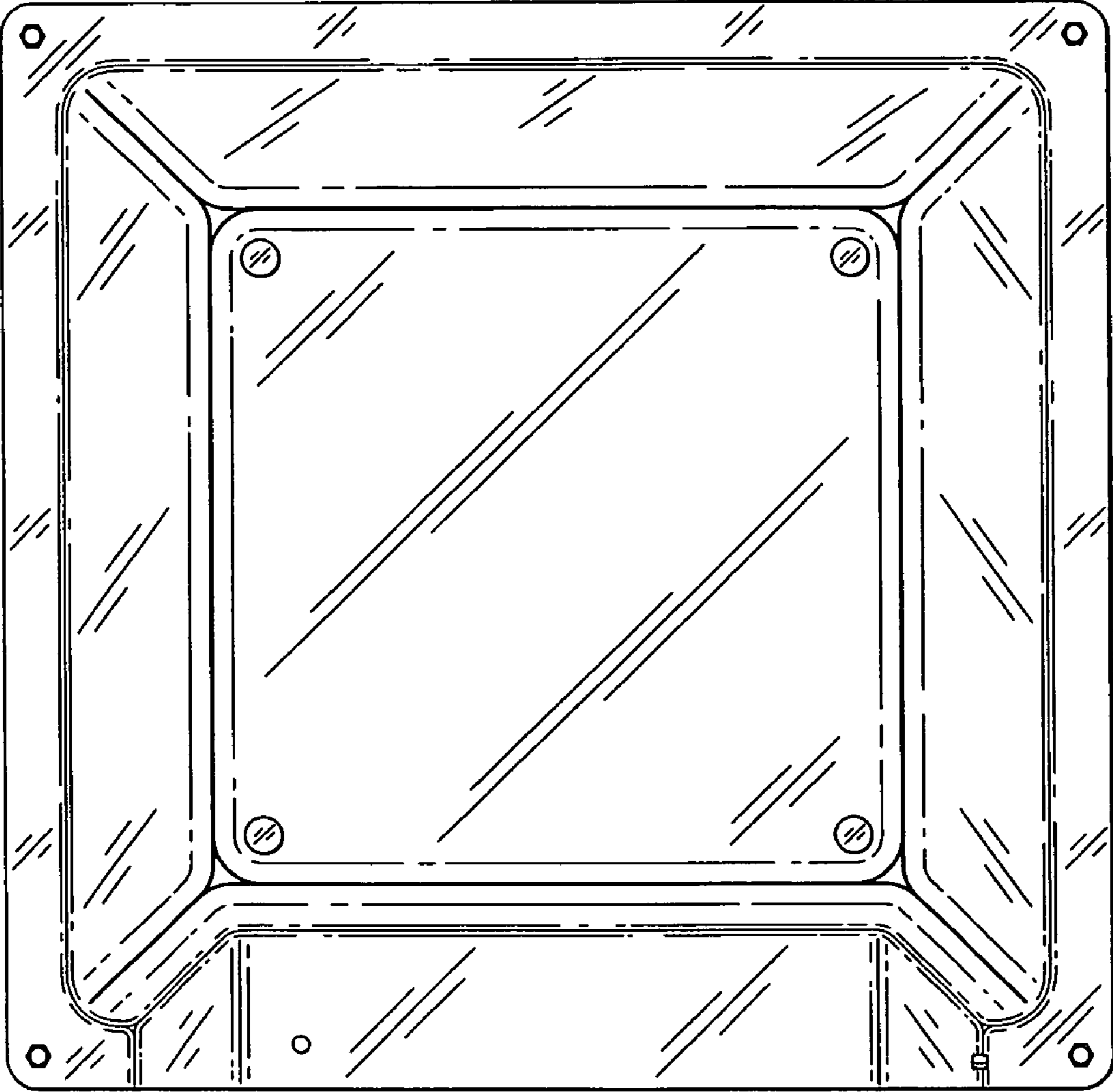


FIG. 7

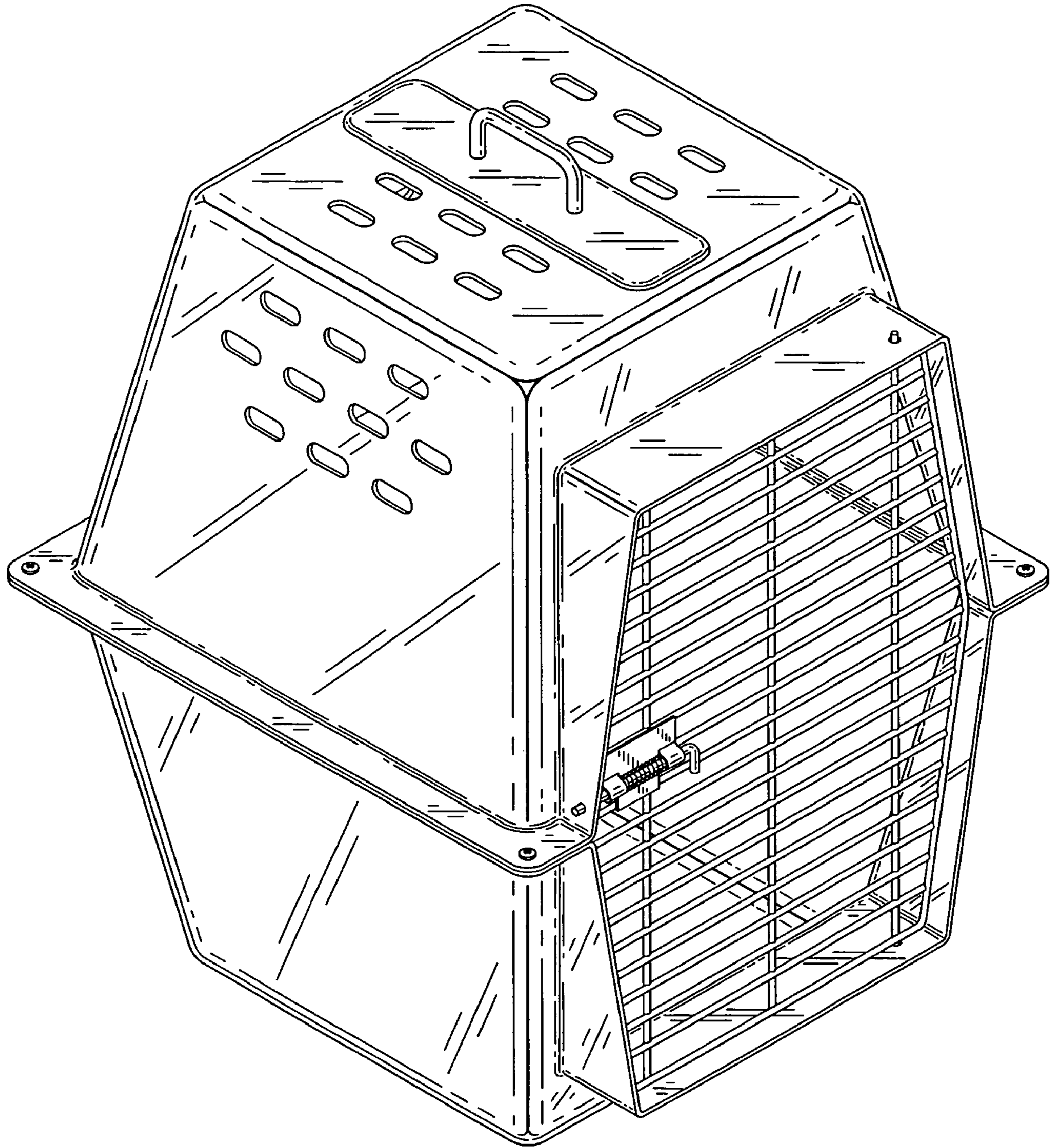


FIG. 8

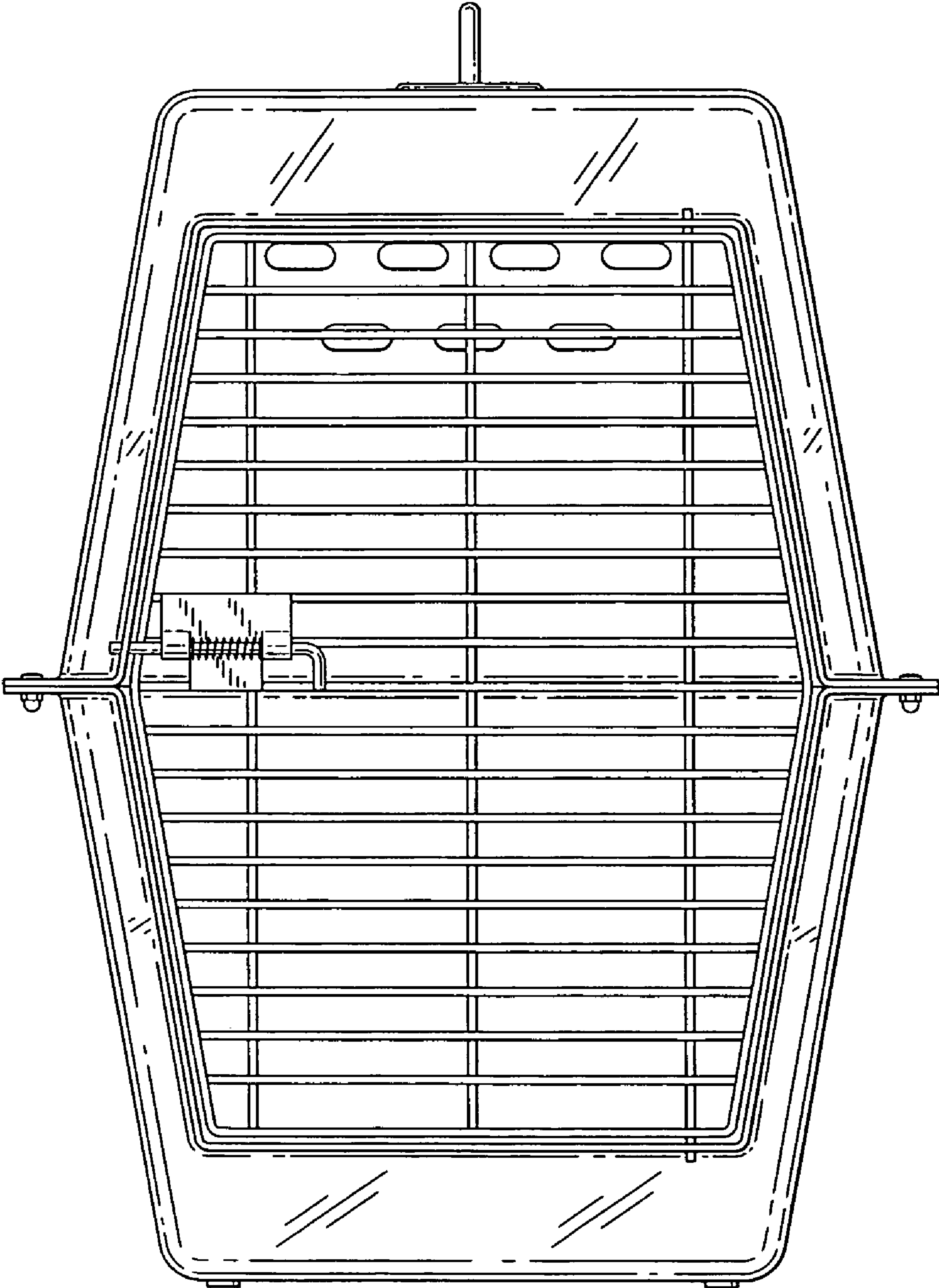


FIG. 9