



US00D608953S

(12) **United States Design Patent**
Foster et al.

(10) **Patent No.:** **US D608,953 S**
(45) **Date of Patent:** **** Jan. 26, 2010**

- (54) **SOFT HAND RESTRAINT FOR TRANSPORTING PRISONERS**
- (75) Inventors: **John Thomas Foster**, Westerville, OH (US); **Glenda Louise Hill-Foster**, Westerville, OH (US)
- (73) Assignee: **Kufbag, Inc.**, Westerville, OH (US)
- (**) Term: **14 Years**
- (21) Appl. No.: **29/331,388**
- (22) Filed: **Jan. 25, 2009**
- (51) **LOC (9) Cl.** **29-02**
- (52) **U.S. Cl.** **D29/120.2**
- (58) **Field of Classification Search** D29/120.1, D29/120.2, 113; 2/16, 17, 170; 24/16 PB; 70/14-19; 119/770; 128/869, 878
See application file for complete search history.

(56) **References Cited**

U.S. PATENT DOCUMENTS

3,740,977 A 6/1973 Stefansen et al.

(Continued)

FOREIGN PATENT DOCUMENTS

GB 2426429 A 11/2006
WO WO 2007/066367 A2 6/2007

Primary Examiner—Raphael Barkai
Assistant Examiner—Randall H Gholson
(74) *Attorney, Agent, or Firm*—Raymond N. Ervin, Ltd.

(57) **CLAIM**

An ornamental design for a soft hand restraint device for transporting prisoners, as shown and described.

DESCRIPTION

This application claims the benefit of U.S. Non-Provisional Application No. 12/062,519, Soft Hand Restraint Device For Transporting Prisoners, filed Apr. 4, 2008, presently co-pending; in accordance with 35 USC §120; which claims the benefit of U.S. Non-Provisional Application No. 11/401,813, Kufbag Restraining Device, filed Apr. 10, 2006, presently abandoned, which claims the benefit of U.S. Non-Provisional Application No. 10/952,586, Soft Hand Restraint Device for

Transporting Prisoners (formerly, Kufbag Restraint Device for Transporting Prisoners), filed Sep. 26, 2004, presently abandoned, wherein the respective disclosures of which are hereby incorporated by reference herein.

FIG. 1 is a front perspective view showing the design of a soft hand restraint for transporting prisoners showing wrist restraints in closed position and the handcuff retaining strap in the open position.

FIG. 2 is rear perspective view of the soft hand restraint for transporting prisoners showing the wrist restraints in closed position and the handcuff retaining strap in the open position.

FIG. 3 is a rear perspective view of the soft hand restraint for transporting prisoners, showing the wrist restraints in closed position and the handcuff retaining strap in the closed position.

FIG. 4 is a left side elevation view of the soft hand restraint for transporting prisoners; the right side being substantially similar, showing wrist restraints and the handcuff retaining strap in the open position.

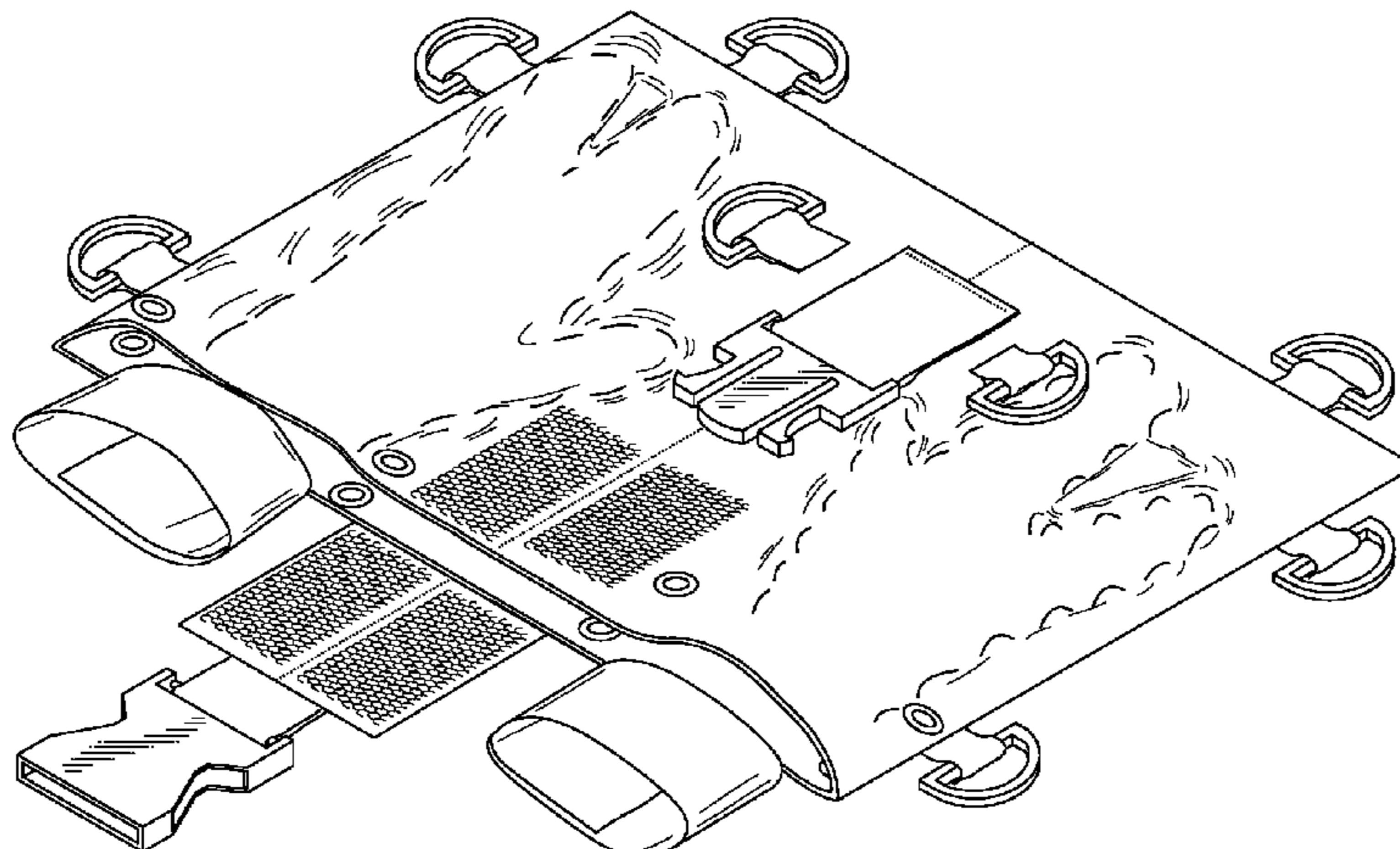
FIG. 5 is a bottom plan view of the soft hand restraint for transporting prisoners, wherein the wrist restraints are shown in the open position and the handcuff retaining strap is in the closed position.

FIG. 6 is a top plan view of the soft hand restraint for transporting prisoners, wherein the wrist restraints are shown in the open position and the handcuff retaining strap is in the closed position.

FIG. 7 is a front perspective view showing the soft hand restraint for transporting prisoners showing the handcuff retaining strap and wrist restraints in the closed position; and,

FIG. 8 is a front perspective view showing the design of another embodiment of the soft hand restraint for transporting prisoners, showing the wrist restraints in closed position and the handcuff retaining strap in the closed position, wherein the glove-like area used to maintain the prisoner's hands, has the thumb is maintained in an abducted position, beyond this aspect alone, all other elements and aspects of the design being substantially similar.

1 Claim, 6 Drawing Sheets



US D608,953 S

Page 2

U.S. PATENT DOCUMENTS

| | | | | | | | |
|-----------|-----|---------|---------------------------|-----------|----|---------|---------------|
| 3,741,207 | A | 6/1973 | Gale | 5,349,966 | A | 9/1994 | Garcia |
| 4,469,096 | A * | 9/1984 | Rivadeneira 128/879 | D352,572 | S | 11/1994 | Pustizzi, Jr. |
| 4,618,328 | A * | 10/1986 | Chi 441/57 | 5,377,510 | A | 1/1995 | Smith |
| 4,674,110 | A * | 6/1987 | Eaton et al. 378/208 | 5,398,383 | A | 3/1995 | Bingold |
| 4,887,616 | A * | 12/1989 | Bajjnath 128/879 | 5,479,943 | A | 1/1996 | Kushnell, III |
| 4,964,419 | A | 10/1990 | Karriker | 5,542,433 | A | 8/1996 | Saupe |
| 5,007,257 | A | 4/1991 | Thompson | 5,555,751 | A | 9/1996 | Strickland |
| 5,031,641 | A * | 7/1991 | Upton 128/879 | 5,604,933 | A | 2/1997 | Stevens |
| 5,088,158 | A | 2/1992 | Burkholder | 5,732,576 | A | 3/1998 | Moore |
| 5,121,743 | A * | 6/1992 | Bishop 602/22 | 5,797,404 | A | 8/1998 | Stanchin, II |
| 5,159,728 | A | 11/1992 | Bingold | 6,000,249 | A | 12/1999 | Wilber |
| 5,261,728 | A | 11/1993 | Carmichael | 6,138,677 | A | 10/2000 | DeVane |
| D347,156 | S | 5/1994 | Starett et al. | 6,886,374 | B2 | 5/2005 | Clifton, Jr. |
| 5,345,947 | A | 9/1994 | Fisher | 7,210,172 | B2 | 5/2007 | Adams, Jr. |

* cited by examiner

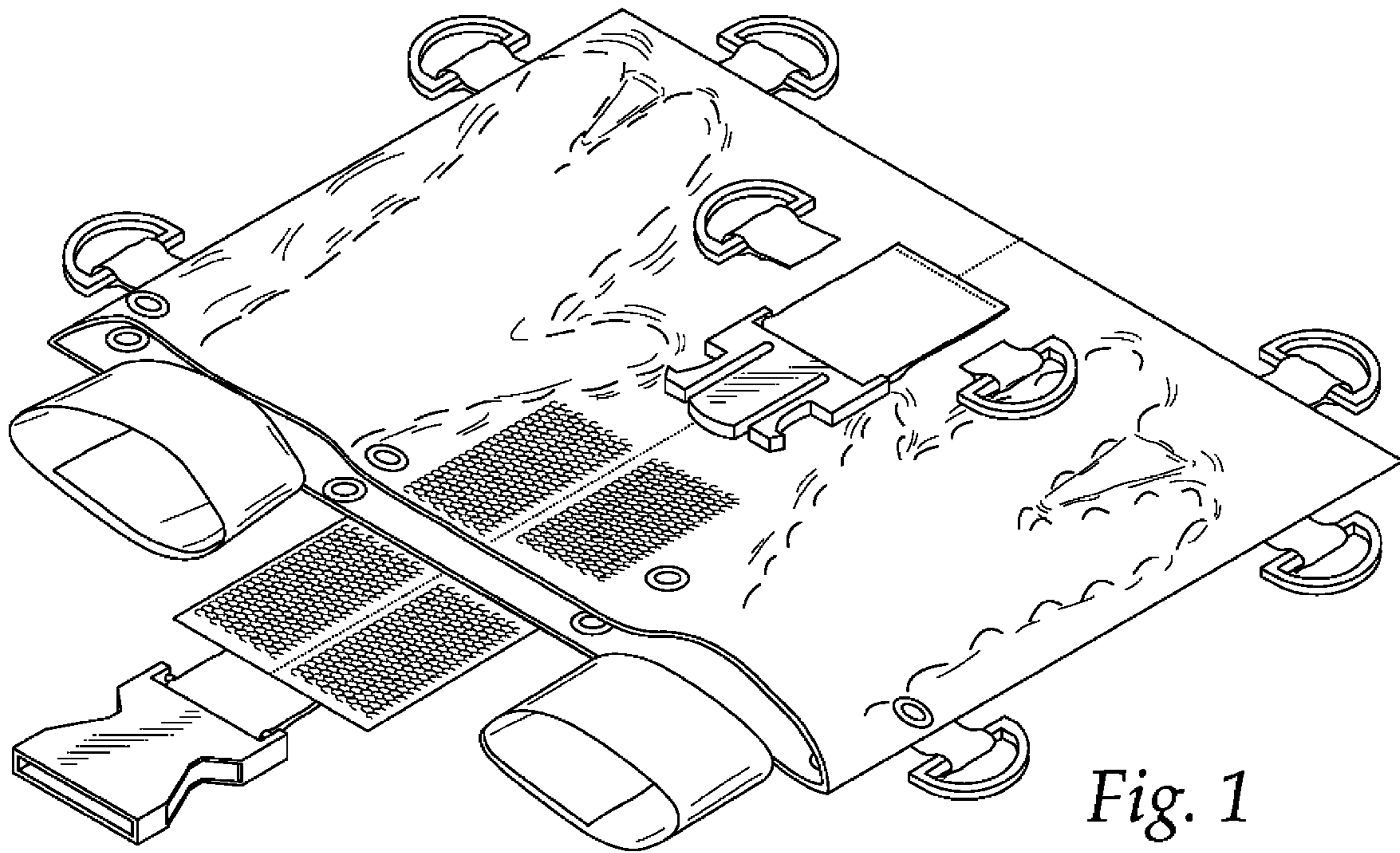


Fig. 1

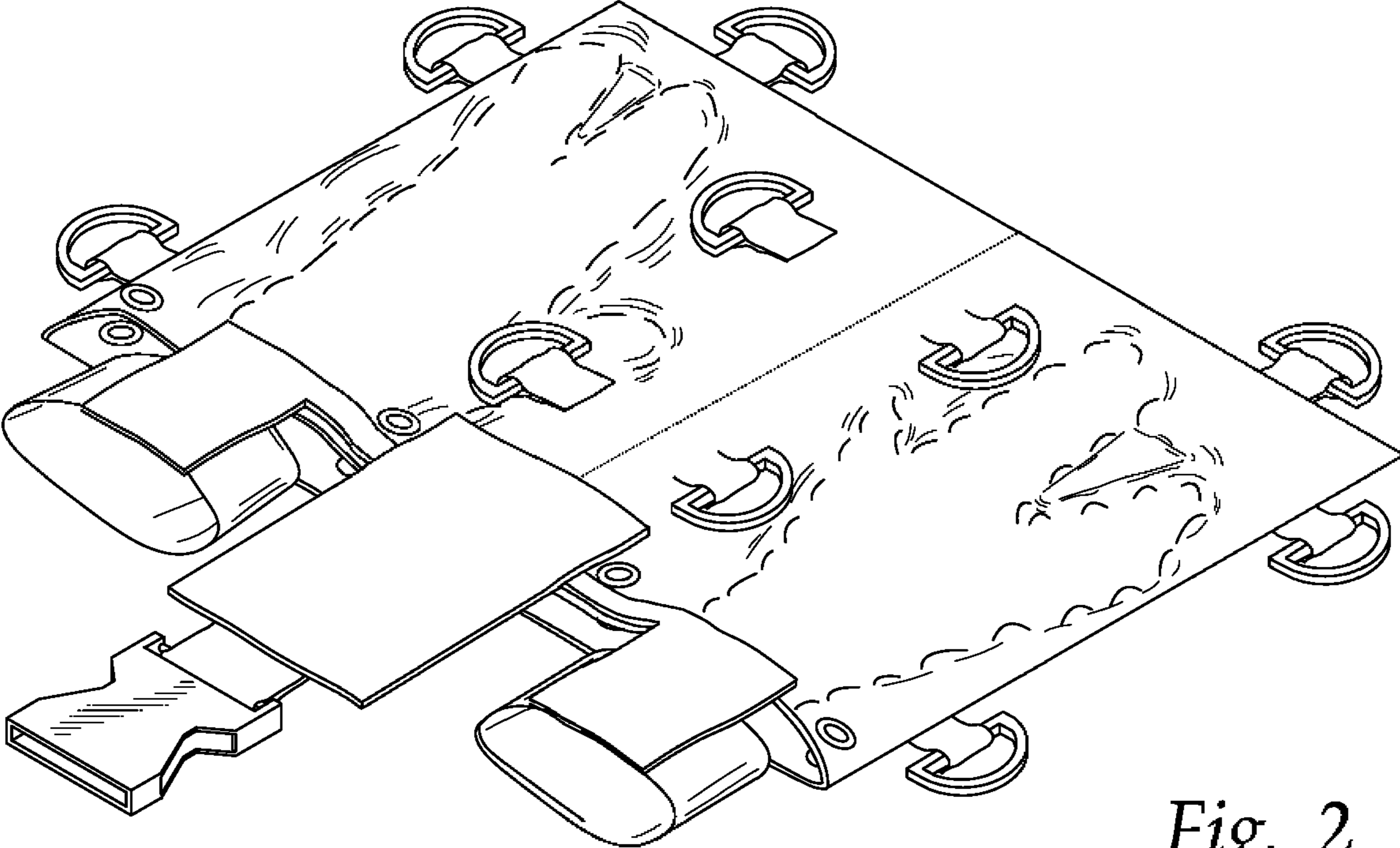


Fig. 2

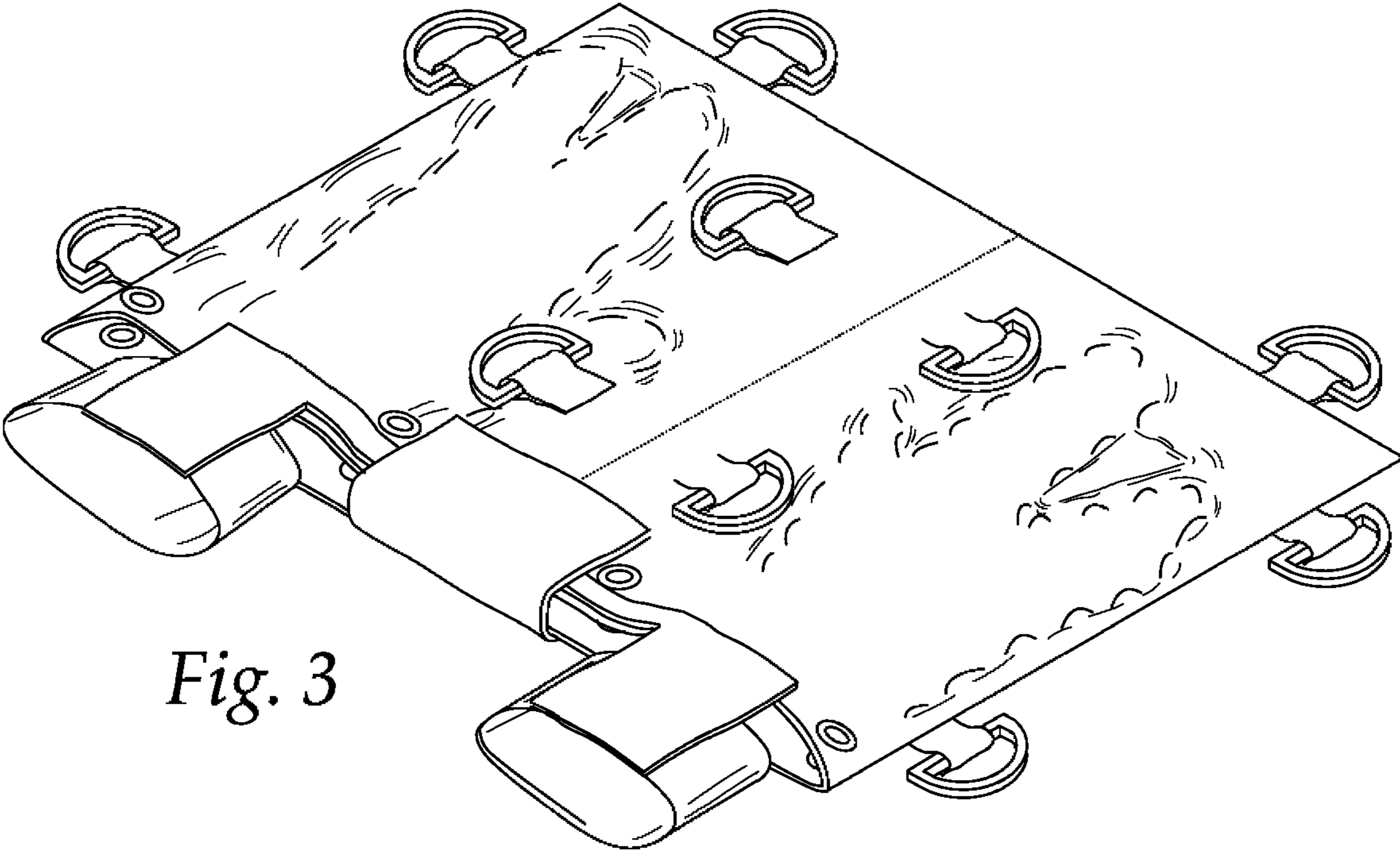


Fig. 3

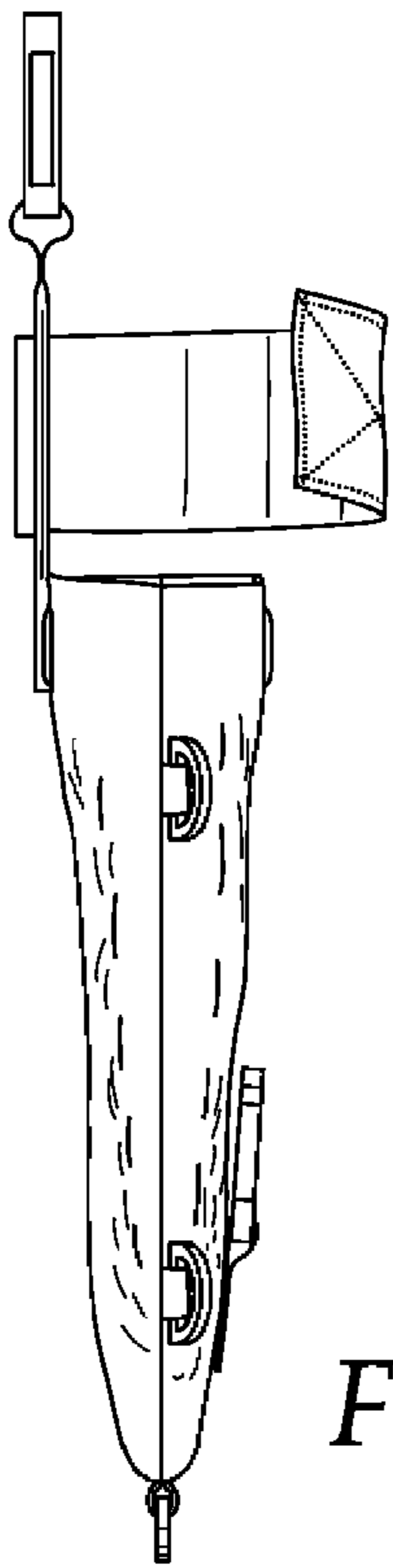


Fig. 4

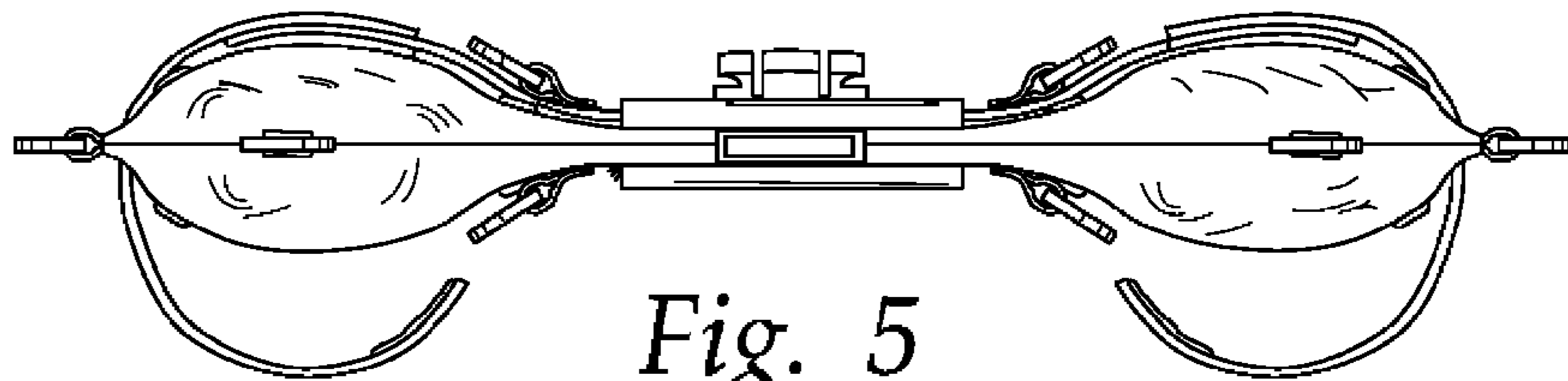


Fig. 5

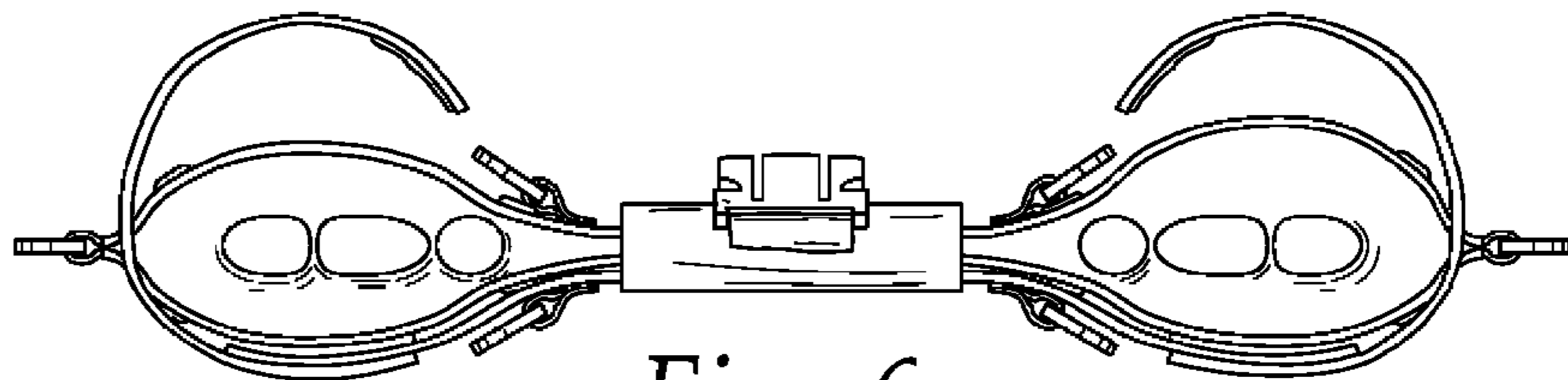


Fig. 6

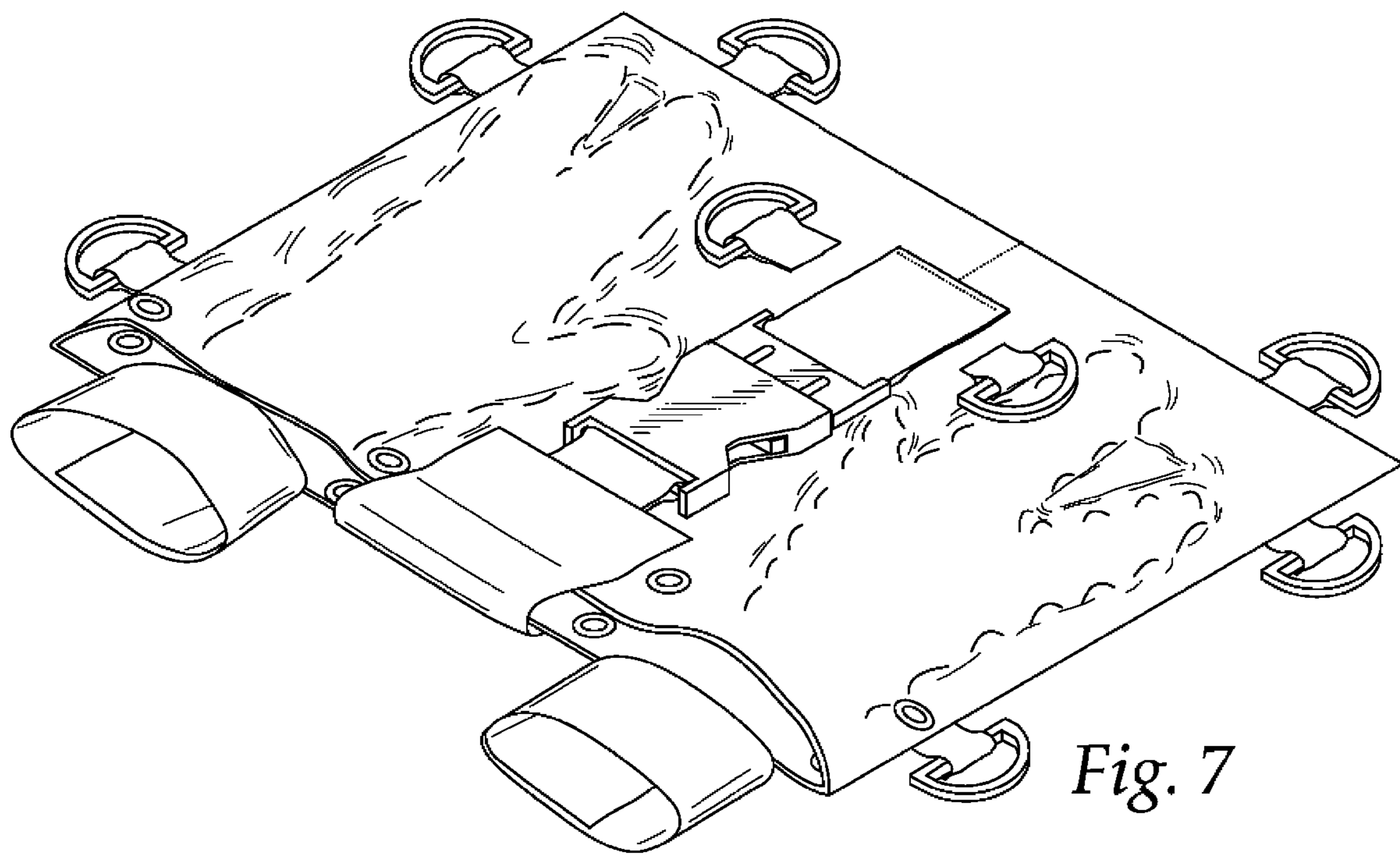


Fig. 7

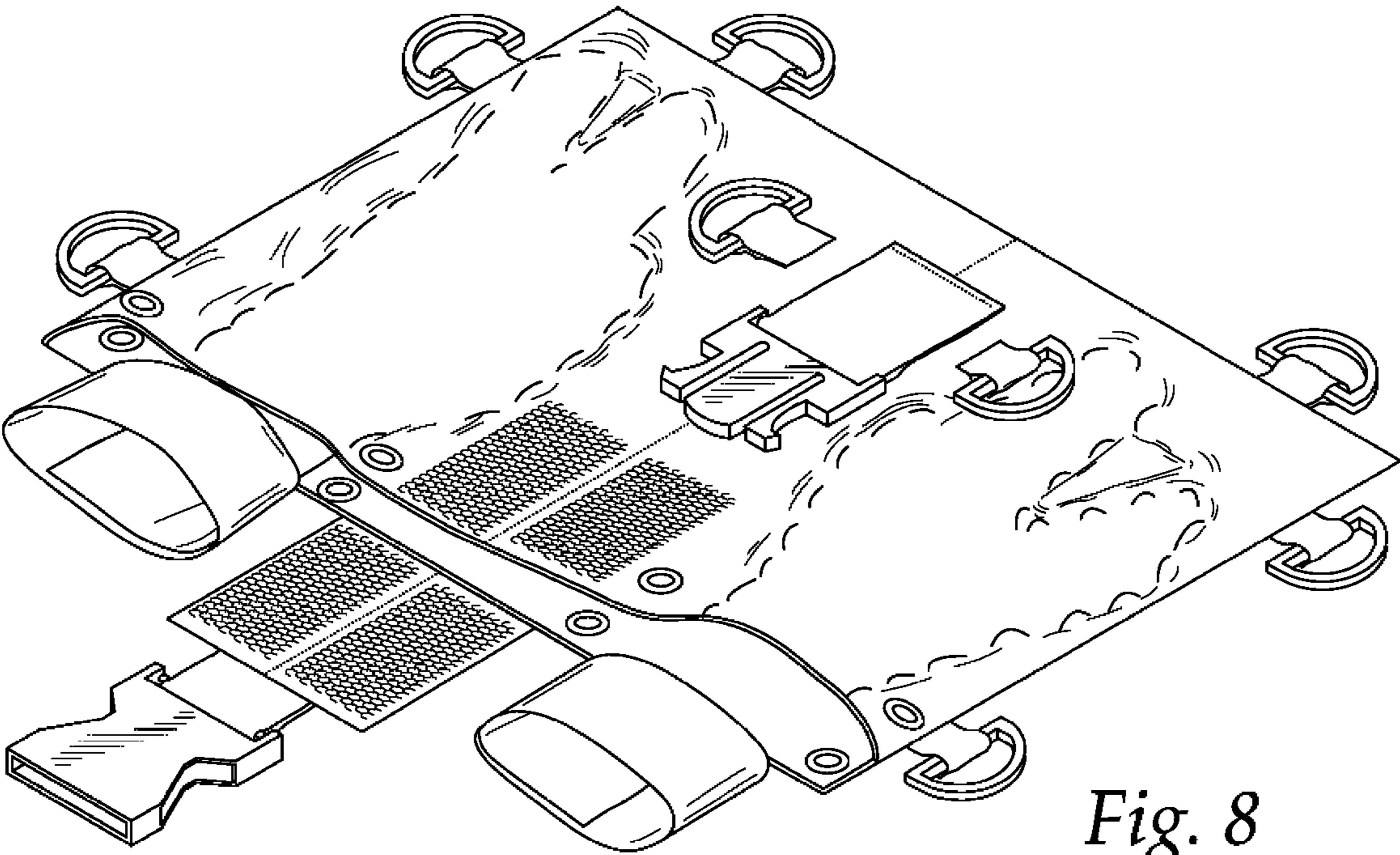


Fig. 8