



US00D608950S

(12) **United States Design Patent**  
**Kelly et al.**

(10) **Patent No.:** **US D608,950 S**  
(45) **Date of Patent:** **\*\* Jan. 26, 2010**

(54) **CHILD SAFETY HARNESS FOR WHEELCHAIR**

D501,582 S \* 2/2005 Yang ..... D29/101.3  
7,073,866 B1 \* 7/2006 Berdahl ..... 297/485

(76) Inventors: **Cindy A Kelly**, 4103 Snipe La., Land O Lakes, FL (US) 34639; **Joseph P Kelly**, 4103 Snipe La., Land O Lakes, FL (US) 34639

\* cited by examiner

*Primary Examiner*—Robert M Spear  
*Assistant Examiner*—Barbara B Lohr  
(74) *Attorney, Agent, or Firm*—Crossley Patent Law; Mark A. Crossley

(\*\*) Term: **14 Years**

(21) Appl. No.: **29/340,963**

(57) **CLAIM**

(22) Filed: **Jul. 28, 2009**

The ornamental design for a child safety harness for wheelchair, as shown and described.

(51) **LOC (9) Cl.** ..... **09-03**

(52) **U.S. Cl.** ..... **D29/101.3**

(58) **Field of Classification Search** ..... D29/101.1, D29/101.2, 101.3, 101.4, 101.5; 119/770; 297/484, 485; 2/44, 311, 321, 464, 467, 2/629, 634, 637, 908, 612, 913; 128/99.1, 128/100.1, 101.1; 182/3, 5, 6, 7; D21/683; D24/190; D3/215, 216, 217, 218, 219, 220–230; 602/5, 6, 19

**DESCRIPTION**

See application file for complete search history.

FIG. 1 is a front elevation view of a child safety harness for wheelchair showing our new design;  
FIG. 2 is a rear elevation view thereof;  
FIG. 3 is a right elevation view thereof, the opposite side being a mirror image of the shown;  
FIG. 4 is a top plan view thereof;  
FIG. 5 is a bottom plan view thereof;  
FIG. 6 is an isometric view thereof; and,  
FIG. 7 is an in-use isometric view thereof.

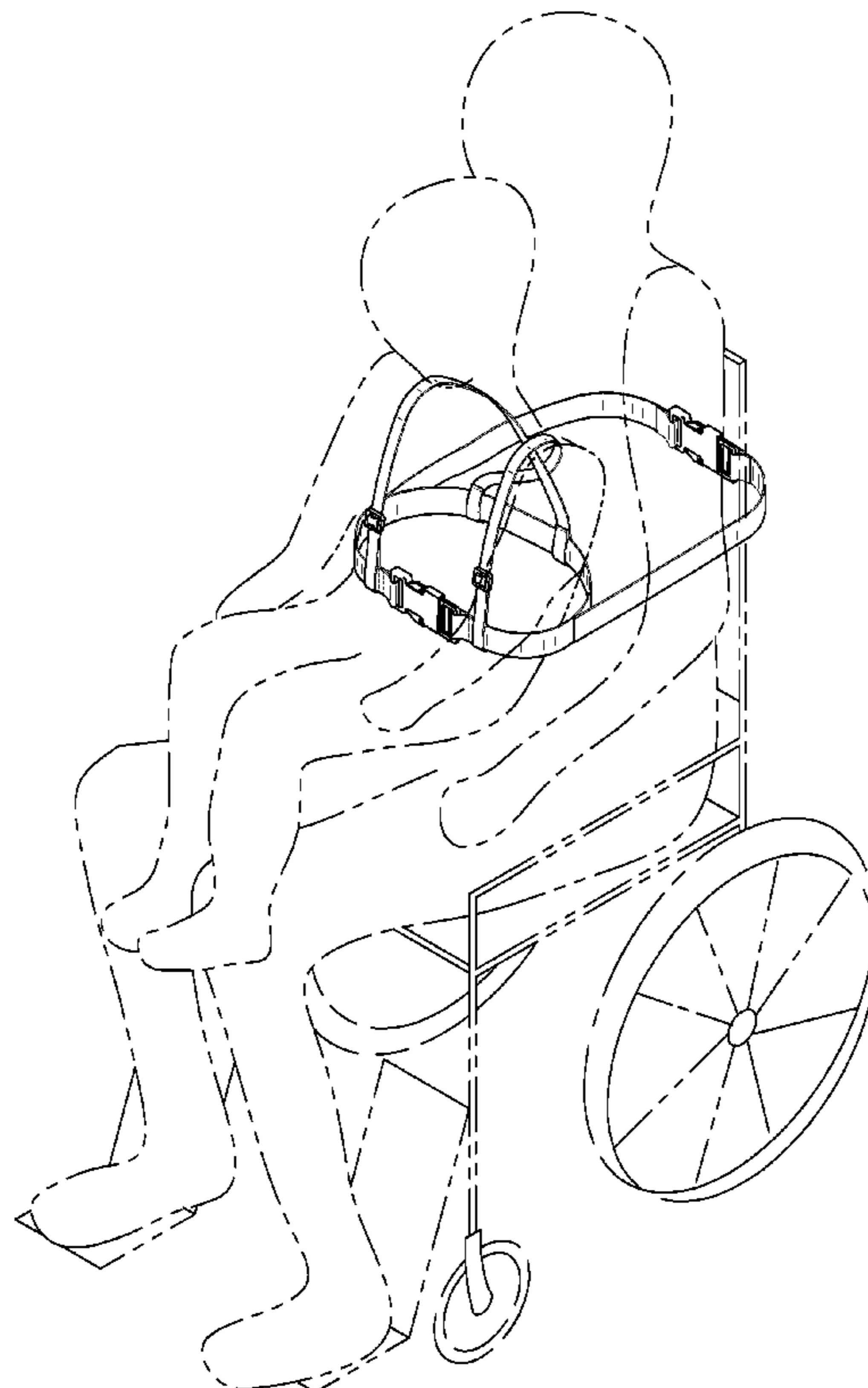
(56) **References Cited**

**U.S. PATENT DOCUMENTS**

5,259,338 A \* 11/1993 Cornell ..... 119/770  
5,664,844 A 9/1997 Greene  
5,813,367 A \* 9/1998 O'Brien ..... 119/770  
5,927,235 A \* 7/1999 Olaiz ..... 119/770

The broken lines in the drawings depict environmental subject matter only and form no part of the claimed design.

**1 Claim, 7 Drawing Sheets**



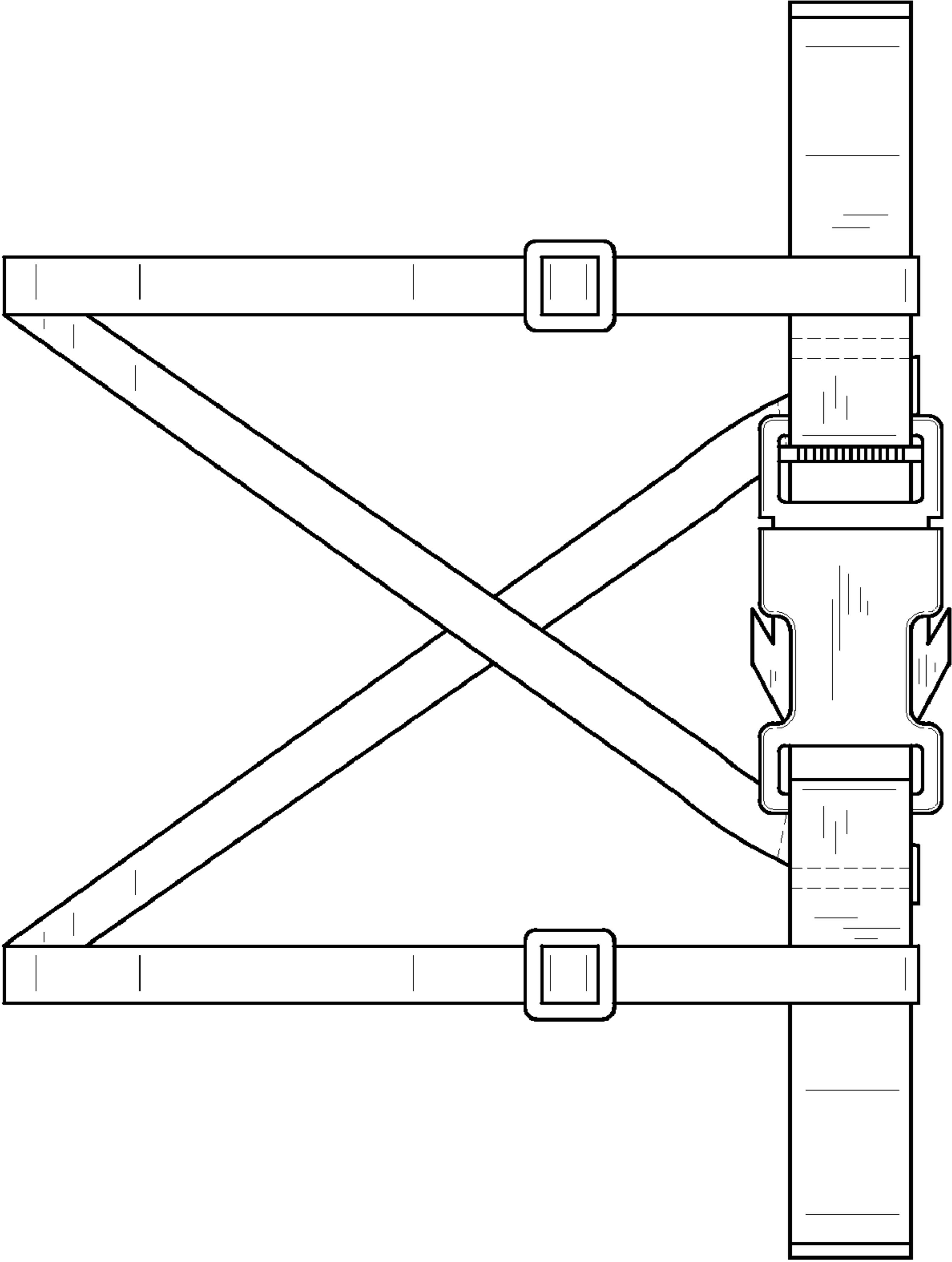


FIG. 1

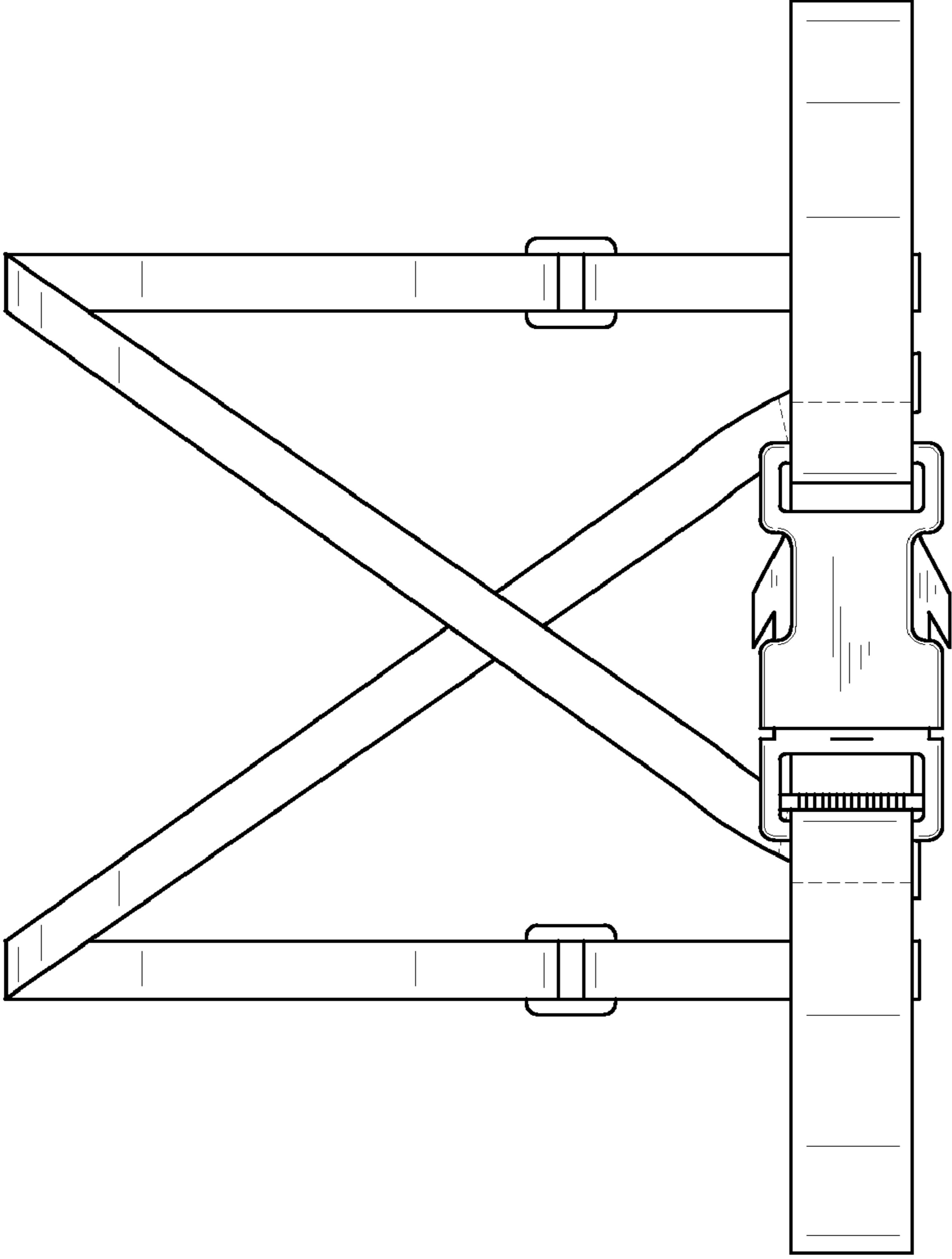


FIG. 2

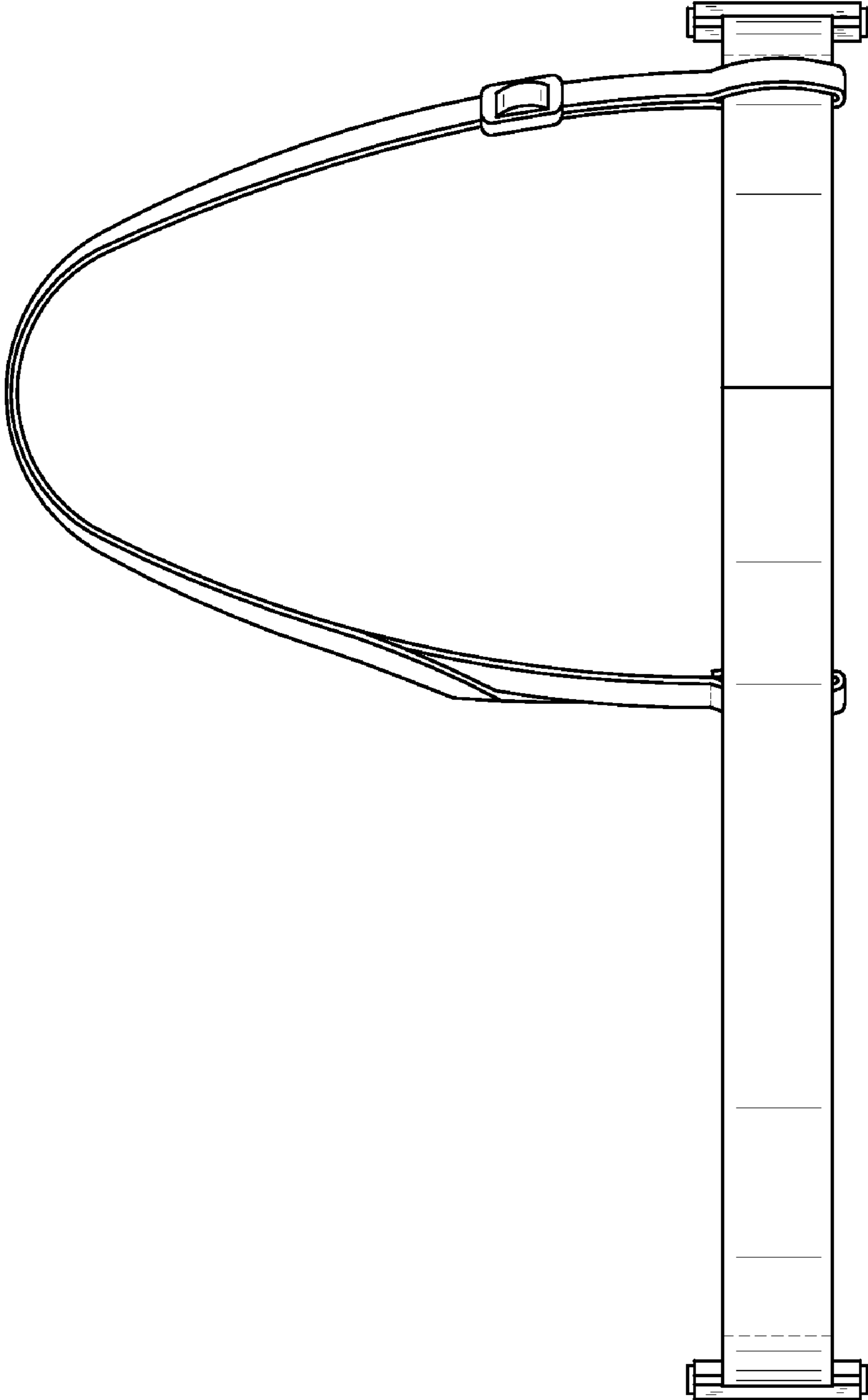


FIG. 3

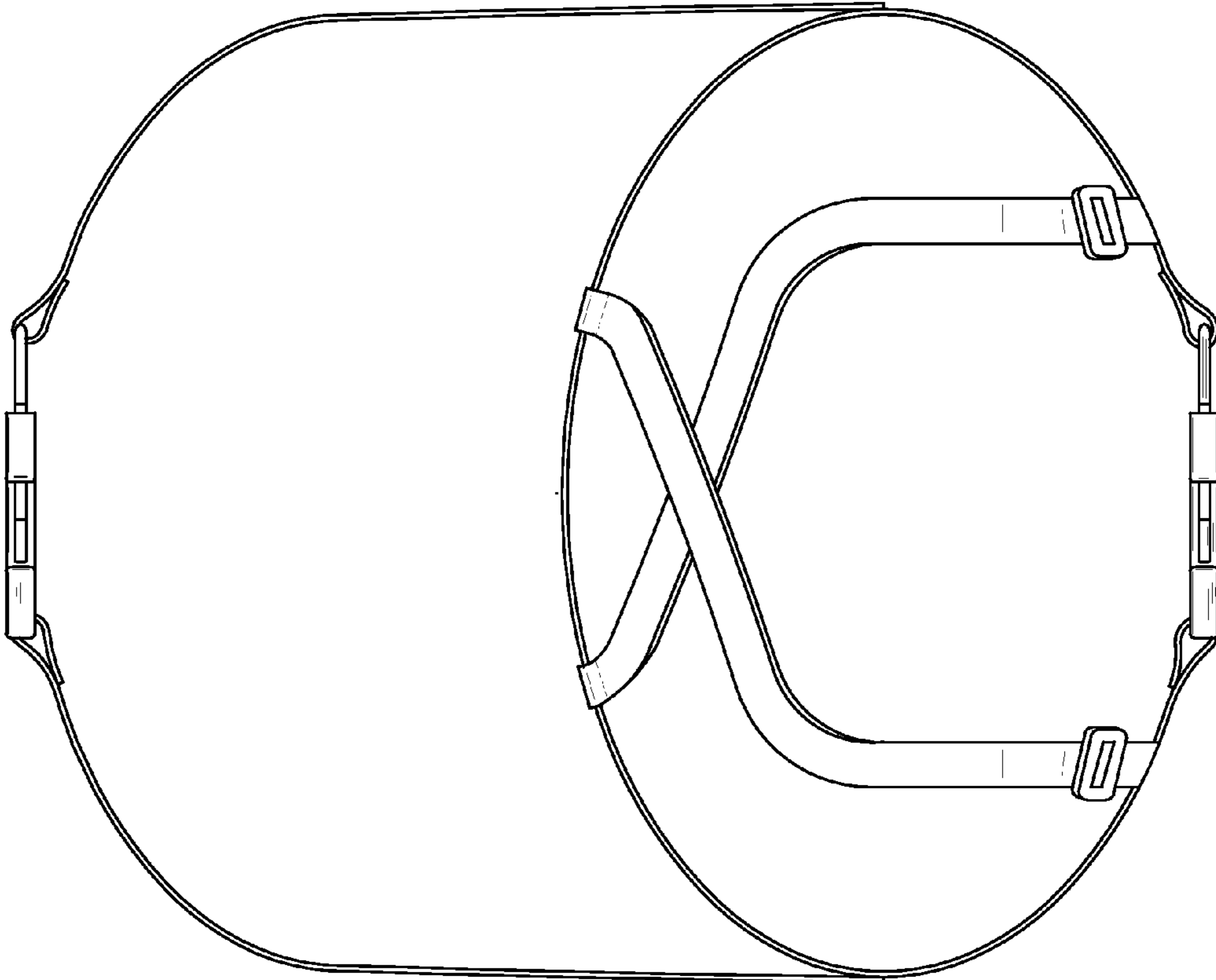


FIG. 4

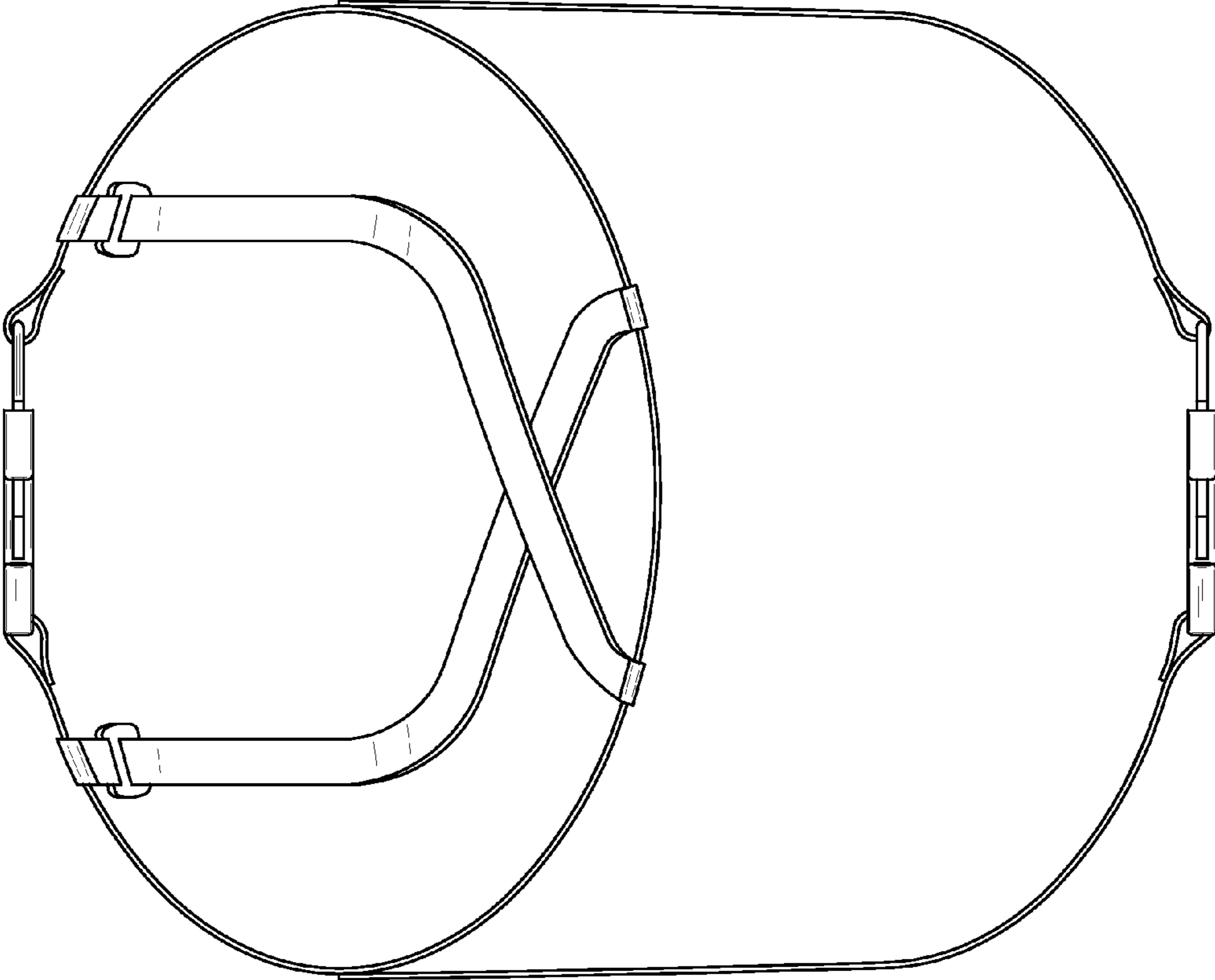


FIG. 5

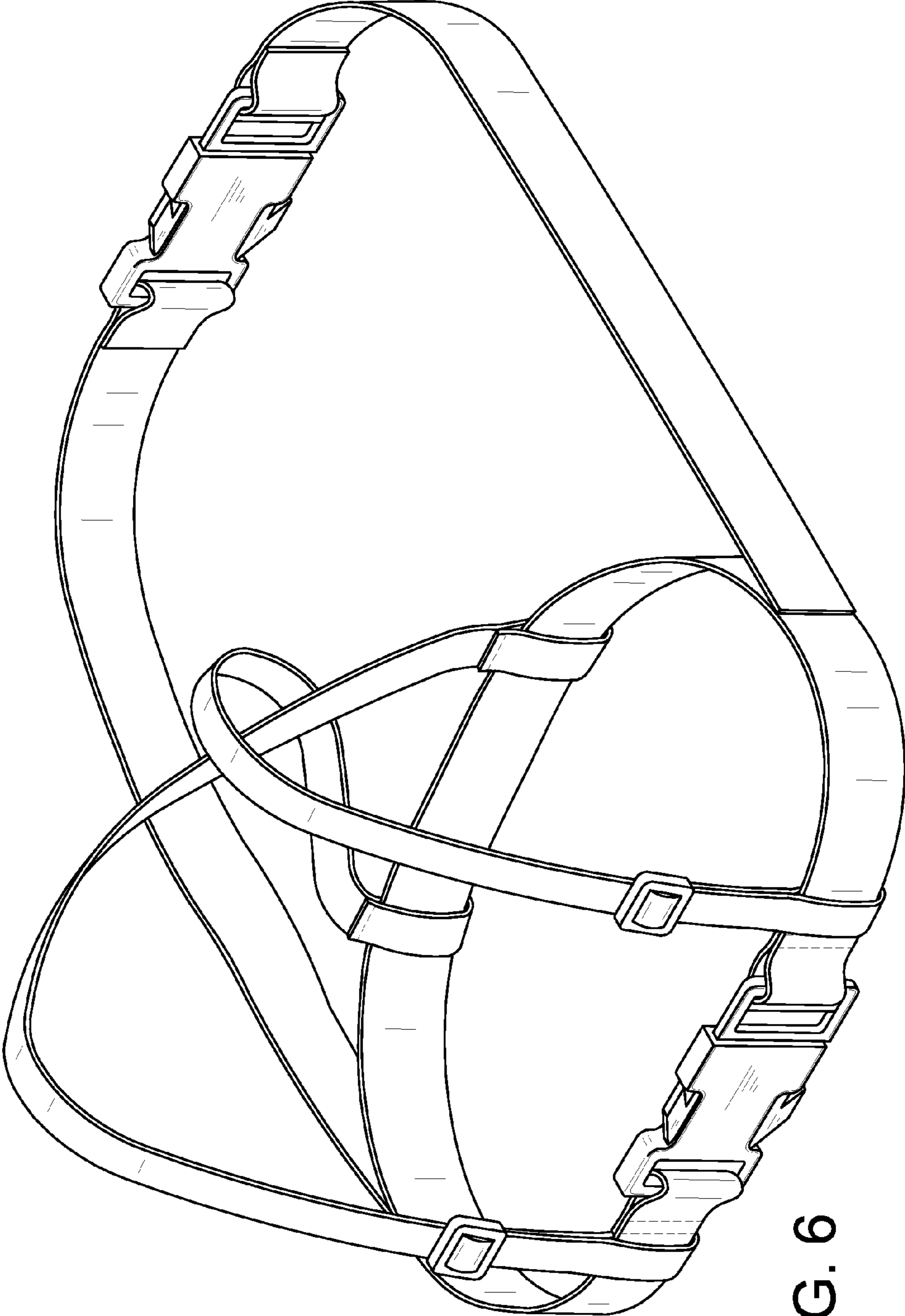


FIG. 6

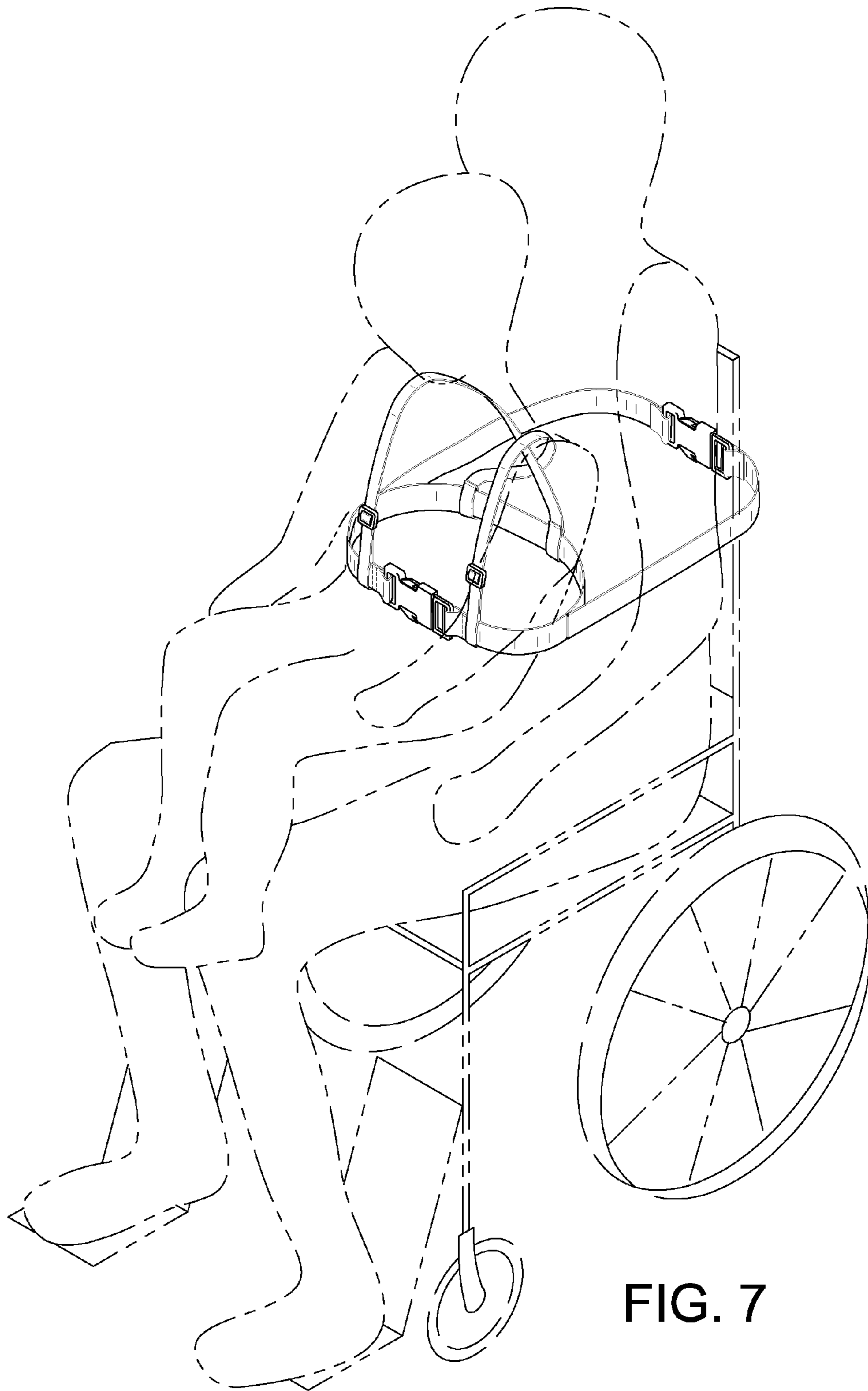


FIG. 7