



US00D608948S

(12) **United States Design Patent**
Wittke-Kothe

(10) **Patent No.:** **US D608,948 S**

(45) **Date of Patent:** **** Jan. 26, 2010**

(54) **SLIDE-OUT NAIL FILE CASE**

D446,885 S * 8/2001 Newman D28/59
D574,112 S * 7/2008 Park D28/59

(75) Inventor: **Cornelia Wittke-Kothe**, Port
Washington, NY (US)

* cited by examiner

(73) Assignee: **Tweezerman International, LLC**, Port
Washington, NY (US)

Primary Examiner—Jennifer Rivard
(74) *Attorney, Agent, or Firm*—Kenyon & Kenyon LLP

(**) Term: **14 Years**

(57) **CLAIM**

(21) Appl. No.: **29/340,949**

The ornamental design for a slide-out nail file case, as shown
and described.

(22) Filed: **Jul. 28, 2009**

DESCRIPTION

Related U.S. Application Data

(63) Continuation of application No. 29/323,226, filed on
Aug. 21, 2008, now Pat. No. Des. 597,255.

FIG. 1 is a perspective view of a slide-out nail file case
showing my new design;

(51) **LOC (9) Cl.** **28-03**

FIG. 2 is a top view thereof;

(52) **U.S. Cl.** **D28/59**

FIG. 3 is a bottom view thereof;

(58) **Field of Classification Search** 132/73–76.5;
D28/56–62; D24/147

FIG. 4 is a front view thereof;

See application file for complete search history.

FIG. 5 is a rear view thereof;

FIG. 6 is a left side view thereof;

FIG. 7 is a right side view thereof; and,

FIG. 8 is a perspective view thereof.

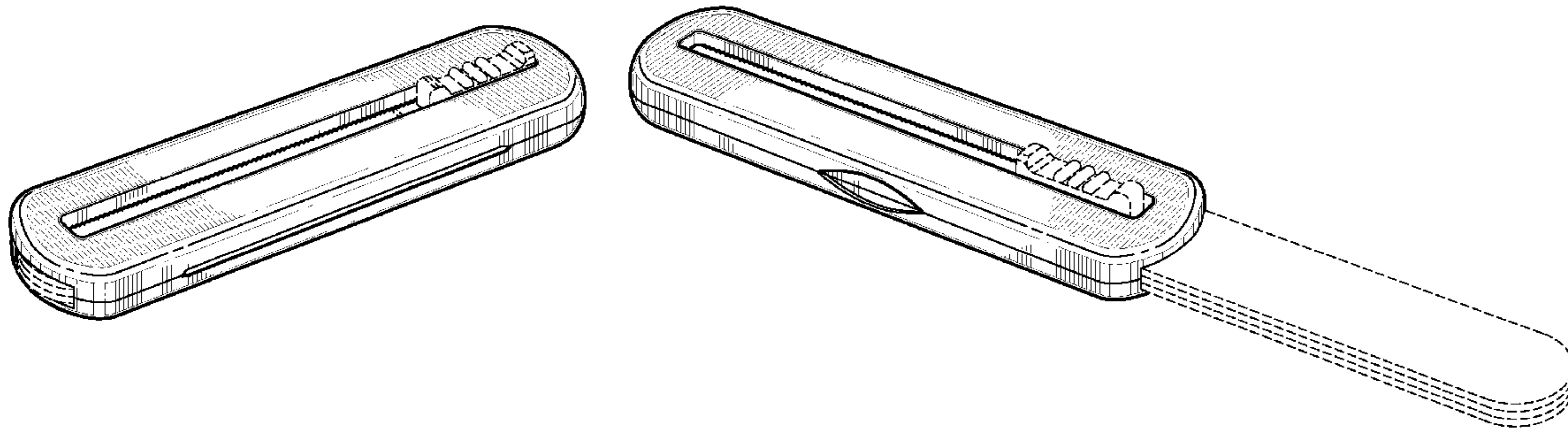
The broken line portions shown in the Figures are for illus-
trative purposes only and form no part of the claimed design.

(56) **References Cited**

U.S. PATENT DOCUMENTS

2,284,168 A * 5/1942 Rickenbacher 132/76.2
D437,089 S * 1/2001 Newman D28/59
D440,013 S * 4/2001 Newman D28/59

1 Claim, 4 Drawing Sheets



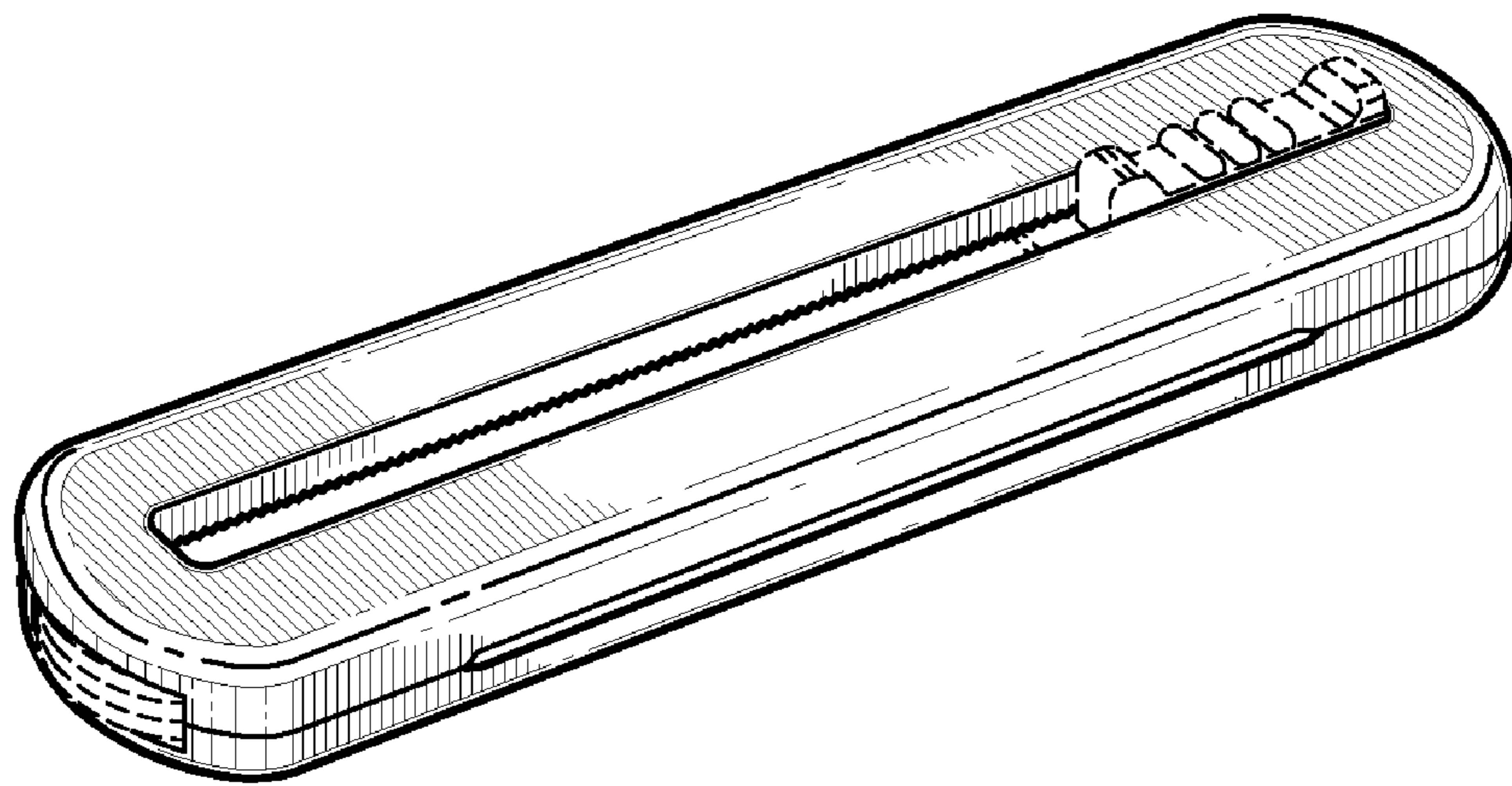


FIG. 1

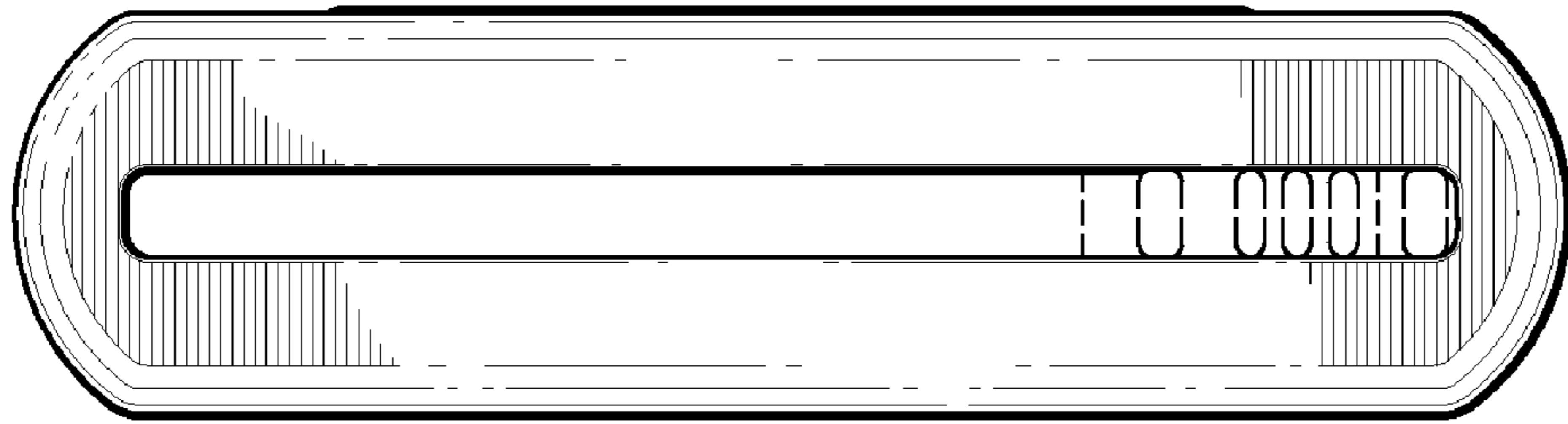


FIG. 2

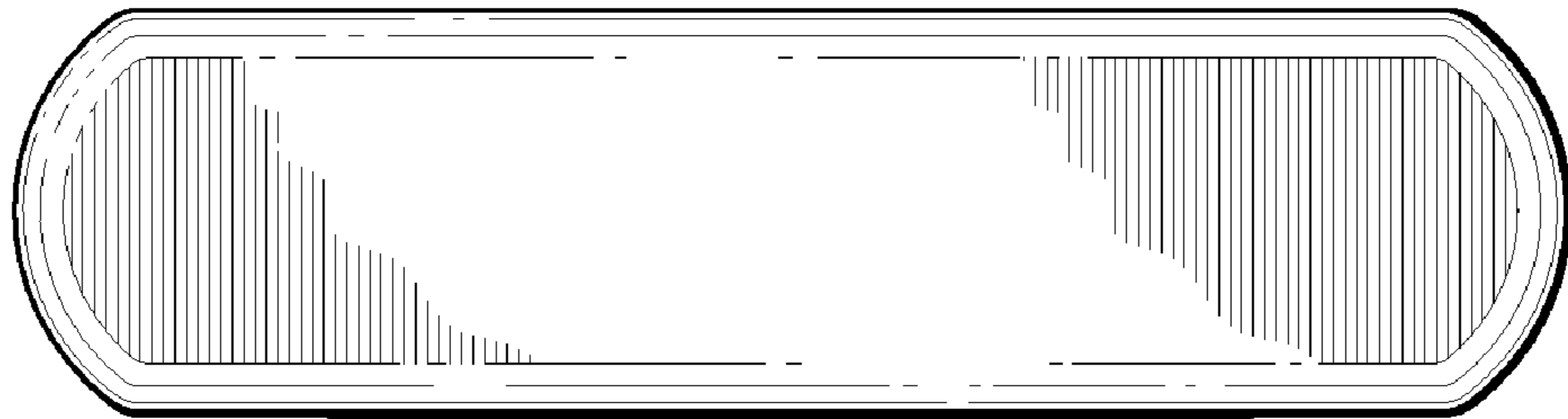


FIG. 3

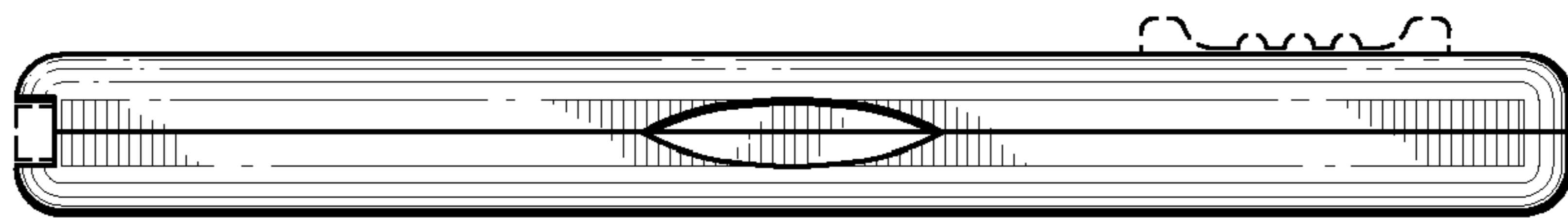


FIG. 4

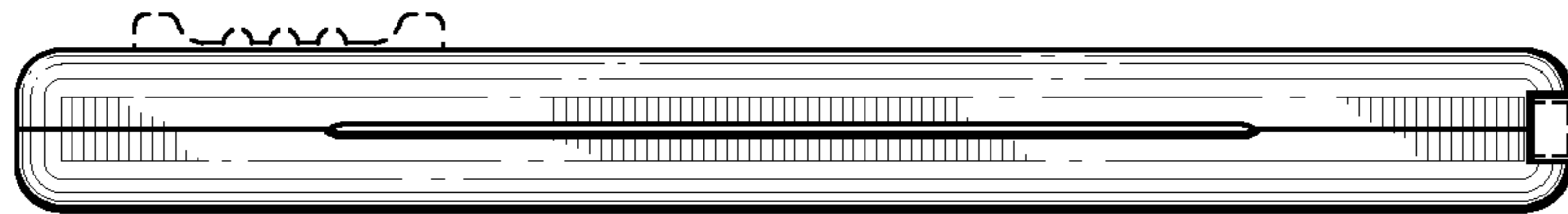


FIG. 5

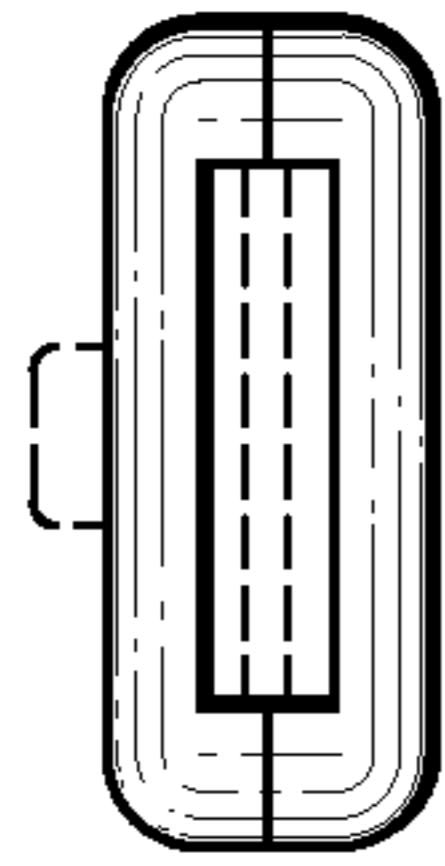


FIG. 6

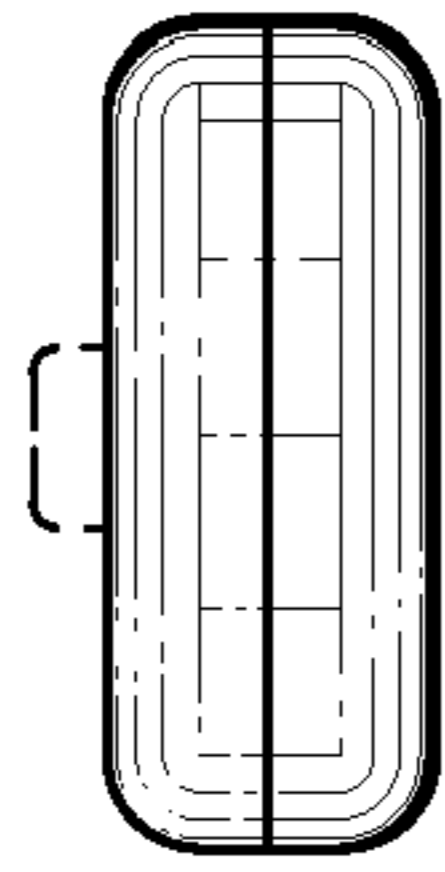


FIG. 7

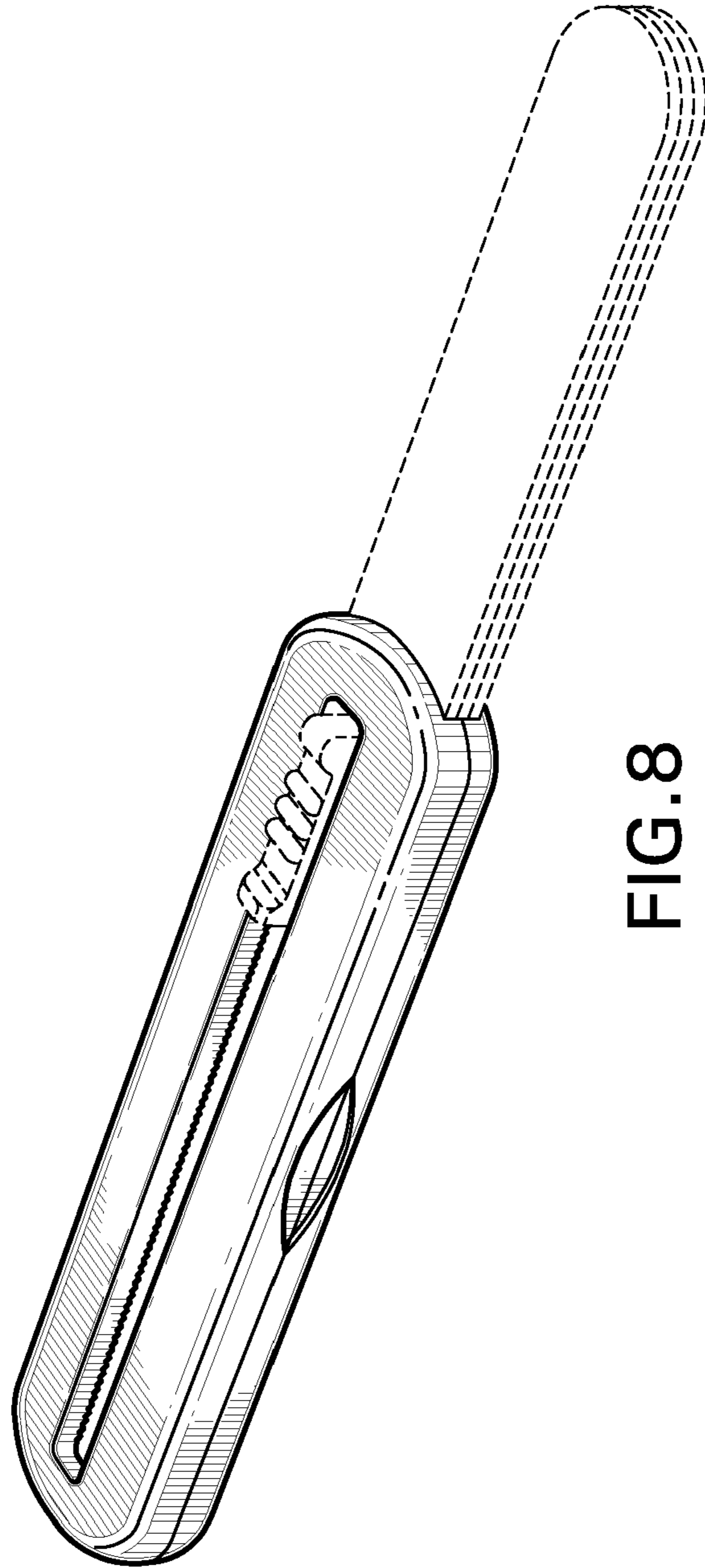


FIG. 8