



US00D608947S

(12) **United States Design Patent**
Schmitz

(10) **Patent No.:** **US D608,947 S**
(45) **Date of Patent:** **** Jan. 26, 2010**

(54) **HAIR STYLING DEVICE**

(75) Inventor: **Ingo Schmitz**, Duisburg (DE)

(73) Assignee: **Wik Far East Ltd.**, Hong Kong (CN)

(**) Term: **14 Years**

(21) Appl. No.: **29/335,836**

(22) Filed: **Apr. 22, 2009**

(30) **Foreign Application Priority Data**

Oct. 22, 2008 (DE) 40 2008 005 066

(51) **LOC (9) Cl.** **28-03**

(52) **U.S. Cl.** **D28/35**

(58) **Field of Classification Search** 132/222–229,
132/232, 234, 236, 245, 271–272; D28/35–38,
D28/24, 15; 222/222, 225–227

See application file for complete search history.

(56) **References Cited**

U.S. PATENT DOCUMENTS

D339,210 S *	9/1993	Classen	D28/15
D441,137 S *	4/2001	McCurrach	D28/35
D455,226 S *	4/2002	McCurrach	D28/35
6,423,942 B1 *	7/2002	Liao	219/222
D556,948 S *	12/2007	Leung	D28/35

OTHER PUBLICATIONS

U.S. Appl. No. 29/336,975, filed May 13, 2009; Inventor: Ingo Schmitz.

U.S. Appl. No. 29/335,835, filed Apr. 22, 2009; Inventor: Ingo Schmitz.

U.S. Appl. No. 29/336,040, filed Apr. 27, 2009; Inventor: Christoph Speh.

U.S. Appl. No. 29/336,088, filed Apr. 28, 2009; Inventor: Christoph Speh.

U.S. Appl. No. 29/336,101, filed Apr. 28, 2009; Inventor: Christoph Speh.

U.S. Appl. No. 29/336,102, filed Apr. 28, 2009; Inventor: Ingo Schmitz.

U.S. Appl. No. 29/336,973, filed May 13, 2009; Inventor: Ingo Schmitz.

* cited by examiner

Primary Examiner—Jennifer Rivard

(74) *Attorney, Agent, or Firm*—Oppedahl Patent Law Firm LLC; Margaret Polsom

(57) **CLAIM**

The ornamental design for a hair styling device, as shown and described.

DESCRIPTION

FIG. 1 is a top front perspective view of my new design for a hair styling device.

FIG. 2 is a top rear perspective view of FIG. 1.

FIG. 3 is a top plan view of FIG. 1.

FIG. 4 is a bottom plan view of FIG. 1.

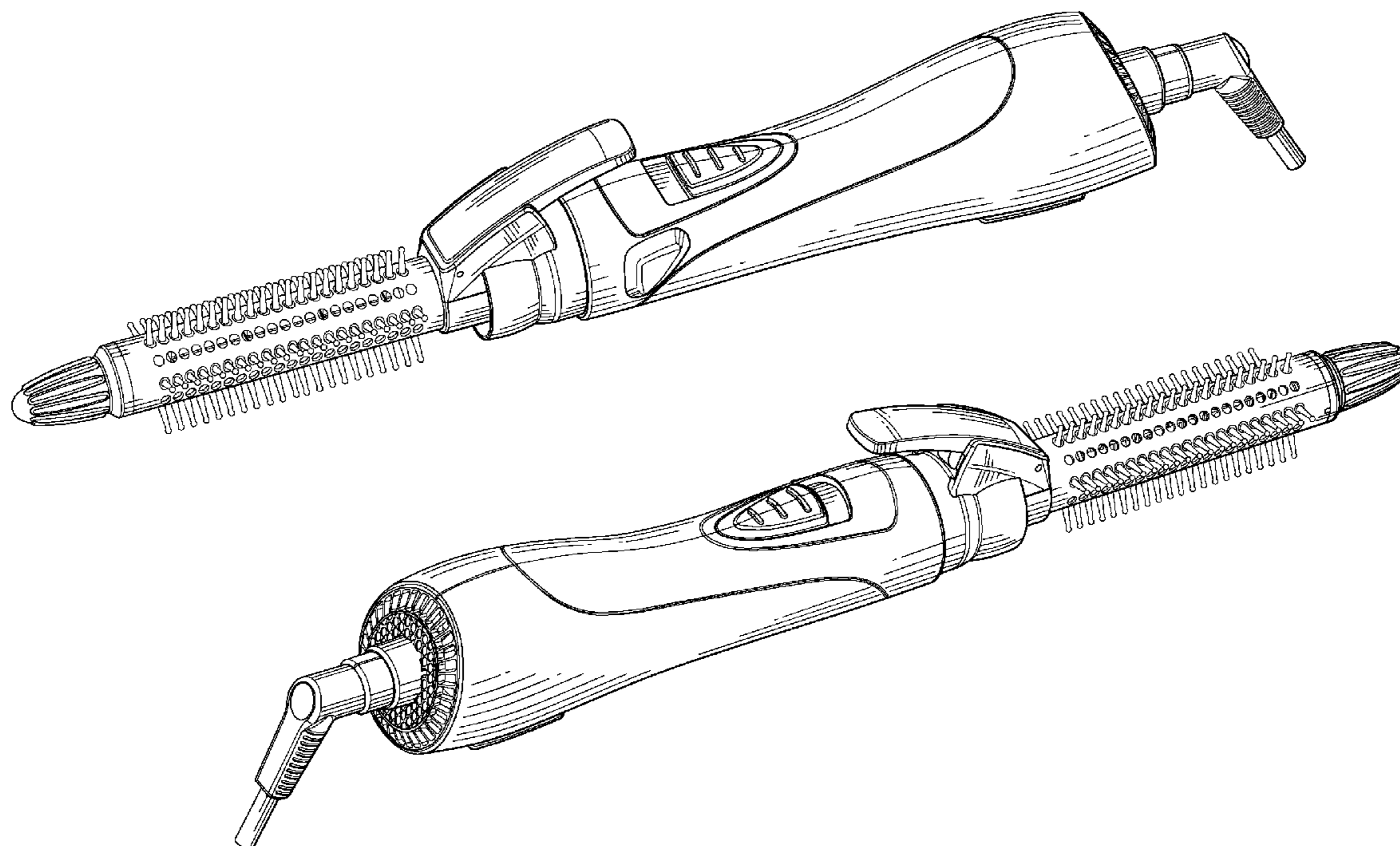
FIG. 5 is a left side elevation view of FIG. 1.

FIG. 6 is a right side elevation view of FIG. 1.

FIG. 7 is a front side elevation view of FIG. 1; and,

FIG. 8 is rear side elevation view of FIG. 1.

1 Claim, 4 Drawing Sheets



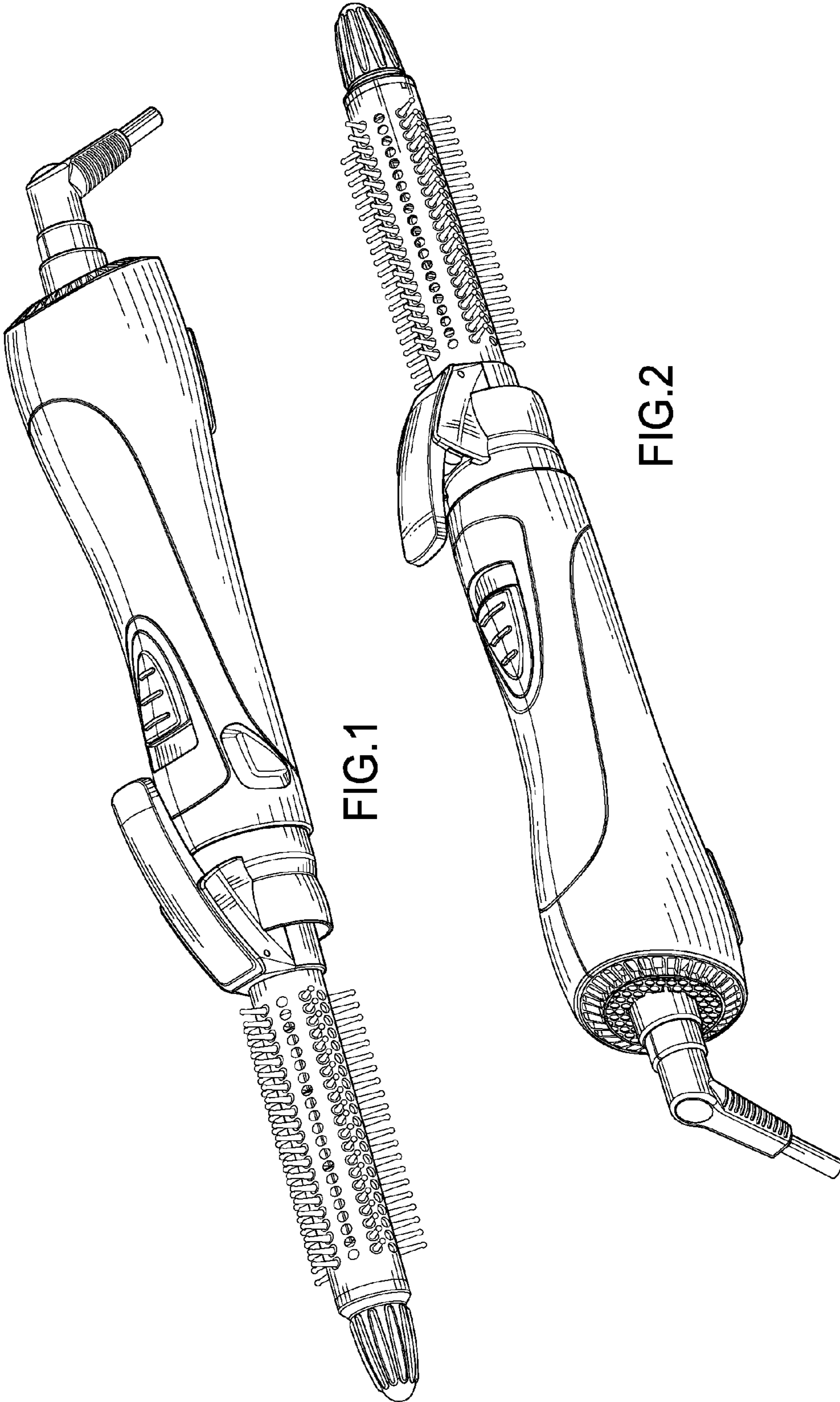
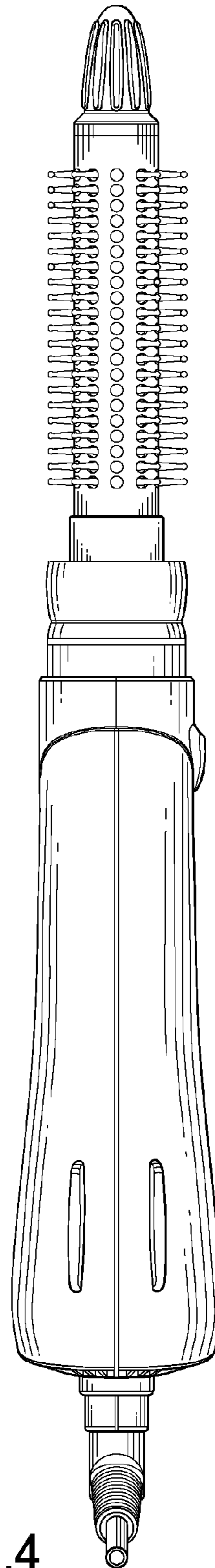
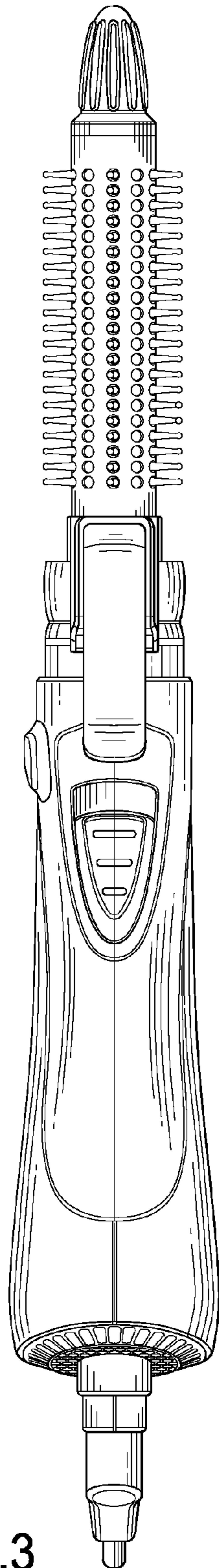


FIG.1

FIG.2



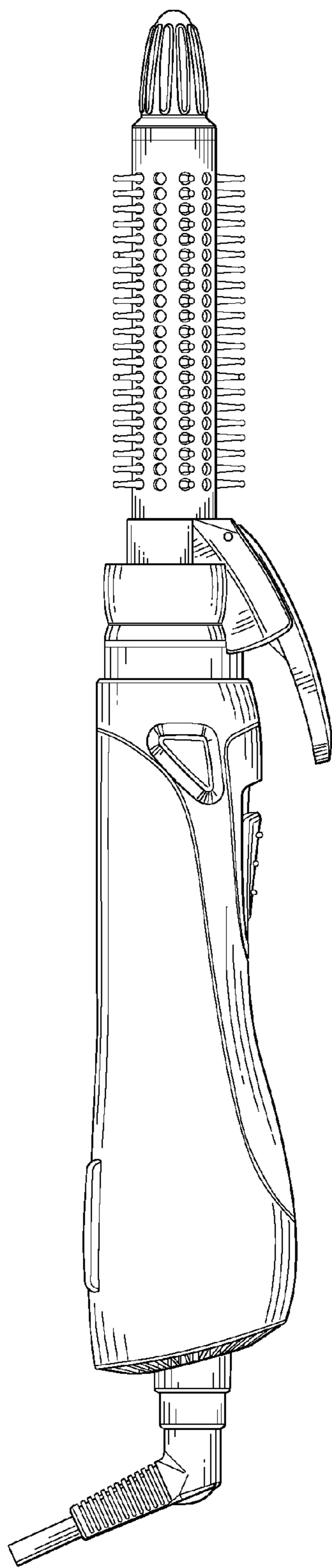


FIG.5

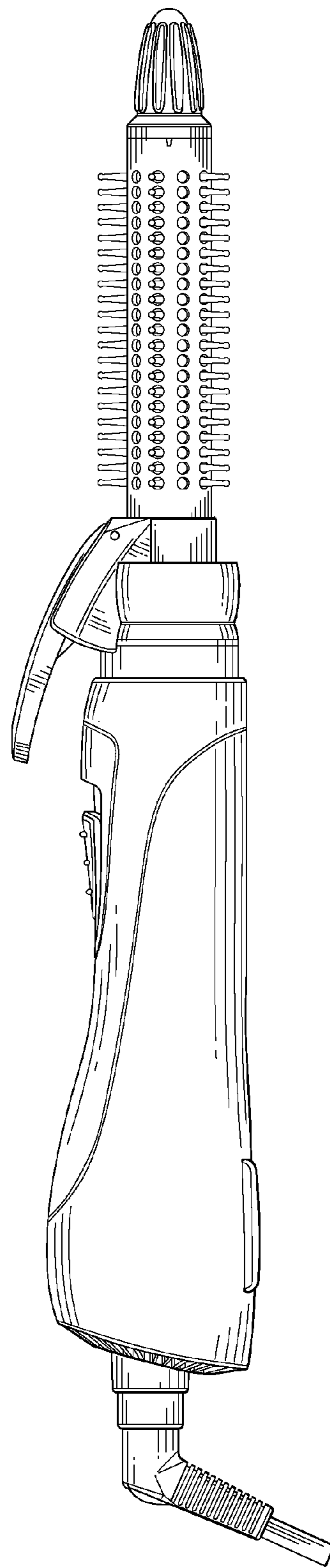


FIG.6

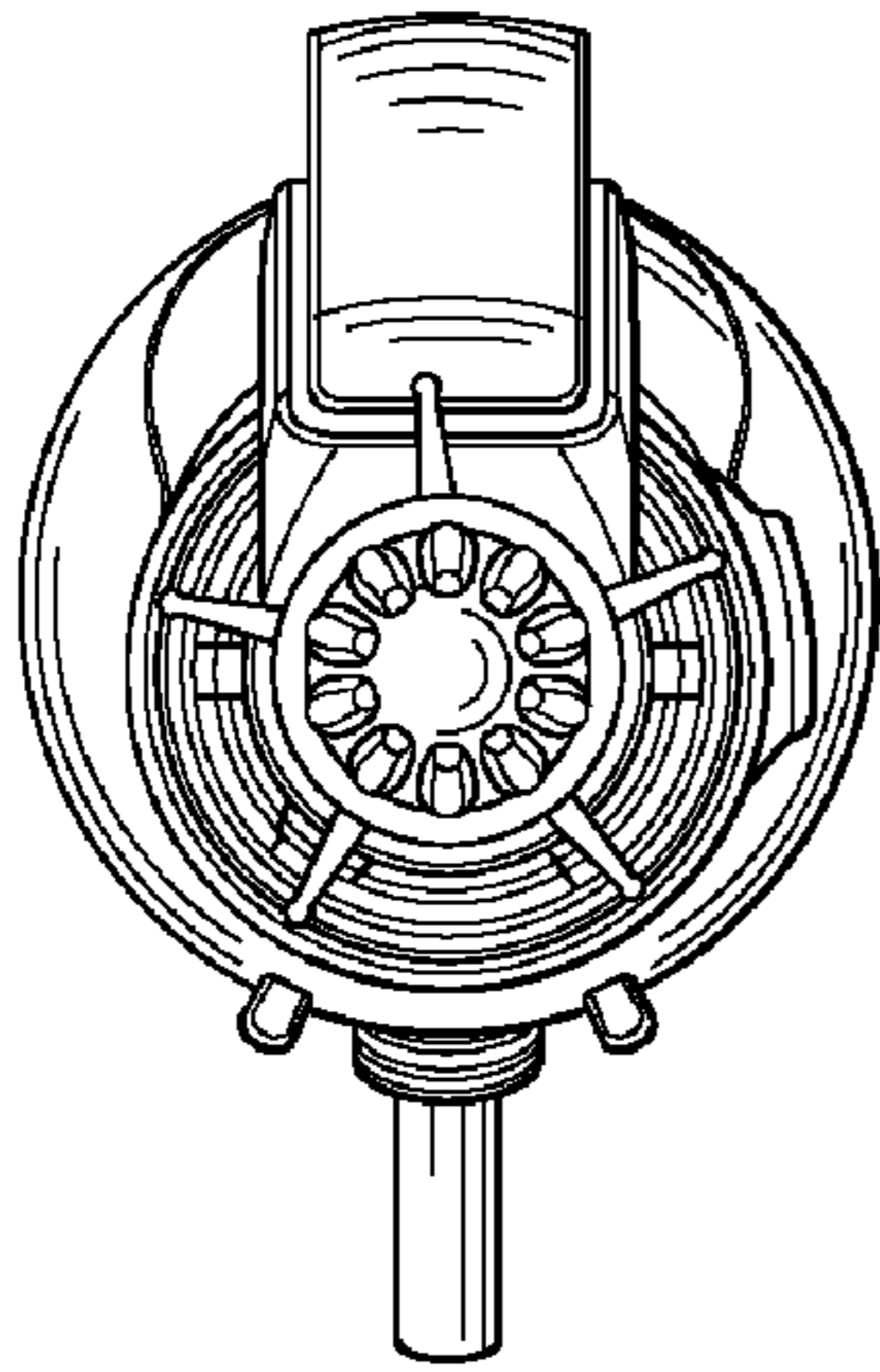


FIG. 7

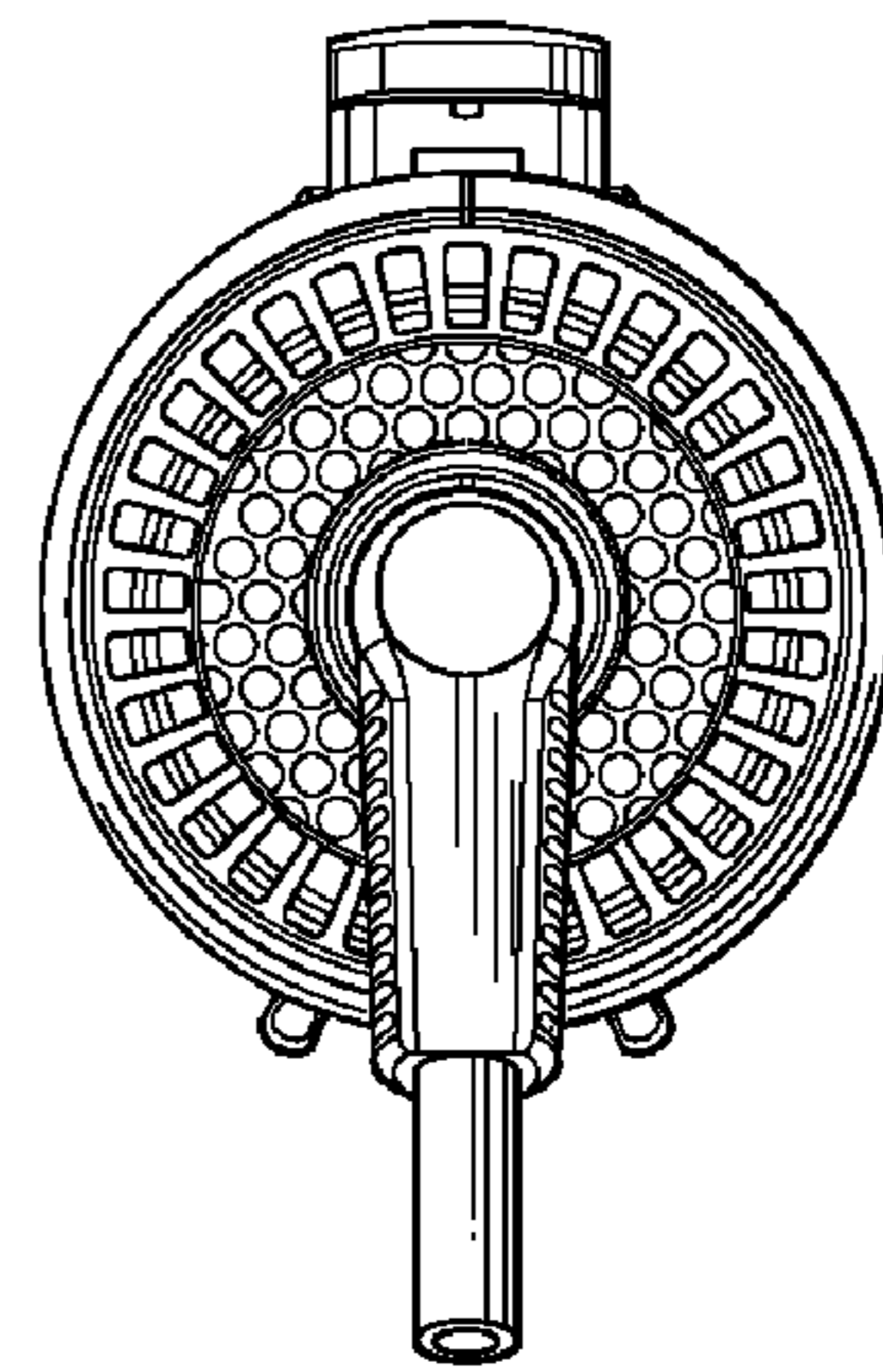


FIG. 8