



US00D608946S

(12) **United States Design Patent**
Speh

(10) **Patent No.:** **US D608,946 S**
(45) **Date of Patent:** **** Jan. 26, 2010**

(54) **HAIR DRYER**

(75) Inventor: **Christoph Speh**, Mülheim an der Ruhr (DE)

(73) Assignee: **WIK Far East Ltd.**, North Point, Hong Kong (CN)

(**) Term: **14 Years**

(21) Appl. No.: **29/336,040**

(22) Filed: **Apr. 27, 2009**

(30) **Foreign Application Priority Data**

Oct. 28, 2008 (DE) 40 2008 005 164

(51) **LOC (9) Cl.** **28-03**

(52) **U.S. Cl.** **D28/13**

(58) **Field of Classification Search** D28/12-19;
34/96-101; 392/380-385; 219/222
See application file for complete search history.

(56) **References Cited**

U.S. PATENT DOCUMENTS

D265,136 S 6/1982 Madl
D398,418 S * 9/1998 Garrett et al. D28/13

(Continued)

OTHER PUBLICATIONS

U.S. Appl. No. 29/335,835, filed Apr. 22, 2009; Inventor: Ingo Schmitz.

U.S. Appl. No. 29/335,836, filed Apr. 22, 2009; Inventor: Ingo Schmitz.

(Continued)

Primary Examiner—Janice E Seeger
Assistant Examiner—Zenita I Bennett

(74) *Attorney, Agent, or Firm*—Margaret Polson; Oppedahl Patent Law Firm LLC

(57) **CLAIM**

The ornamental design for a hair dryer, as shown and described.

DESCRIPTION

FIG. 1 is a front perspective view of my new design for a hair dryer.

FIG. 2 is a left side elevation view of FIG. 1.

FIG. 3 is a right side elevation view of FIG. 1.

FIG. 4 is a front side elevation view of FIG. 1.

FIG. 5 is a rear side elevation view of FIG. 1.

FIG. 6 is a top plan view of FIG. 1.

FIG. 7 is a bottom plan view of FIG. 1.

FIG. 8 is a front perspective view of my new design for a hair dryer. The buttons shown in dotted lines are for illustrative purposes only and are not part of the claimed design.

FIG. 9 is a left side elevation view of FIG. 8.

FIG. 10 is right side elevation view of FIG. 8.

FIG. 11 is a front side elevation view of FIG. 8.

FIG. 12 is a bottom plan view of FIG. 8.

FIG. 13 is a front perspective view of an alternate embodiment of my new design for a hair dryer.

FIG. 14 is a left side elevation view of FIG. 13.

FIG. 15 is a right side elevation view of FIG. 13.

FIG. 16 is a front side elevation view of FIG. 13.

FIG. 17 is a rear side elevation view of FIG. 13.

FIG. 18 is a top plan view of FIG. 13.

FIG. 19 is a bottom plan view of FIG. 13.

FIG. 20 is a front perspective view of my new design for a hair dryer. The buttons shown in dotted lines are for illustrative purposes only and are not part of the claimed design.

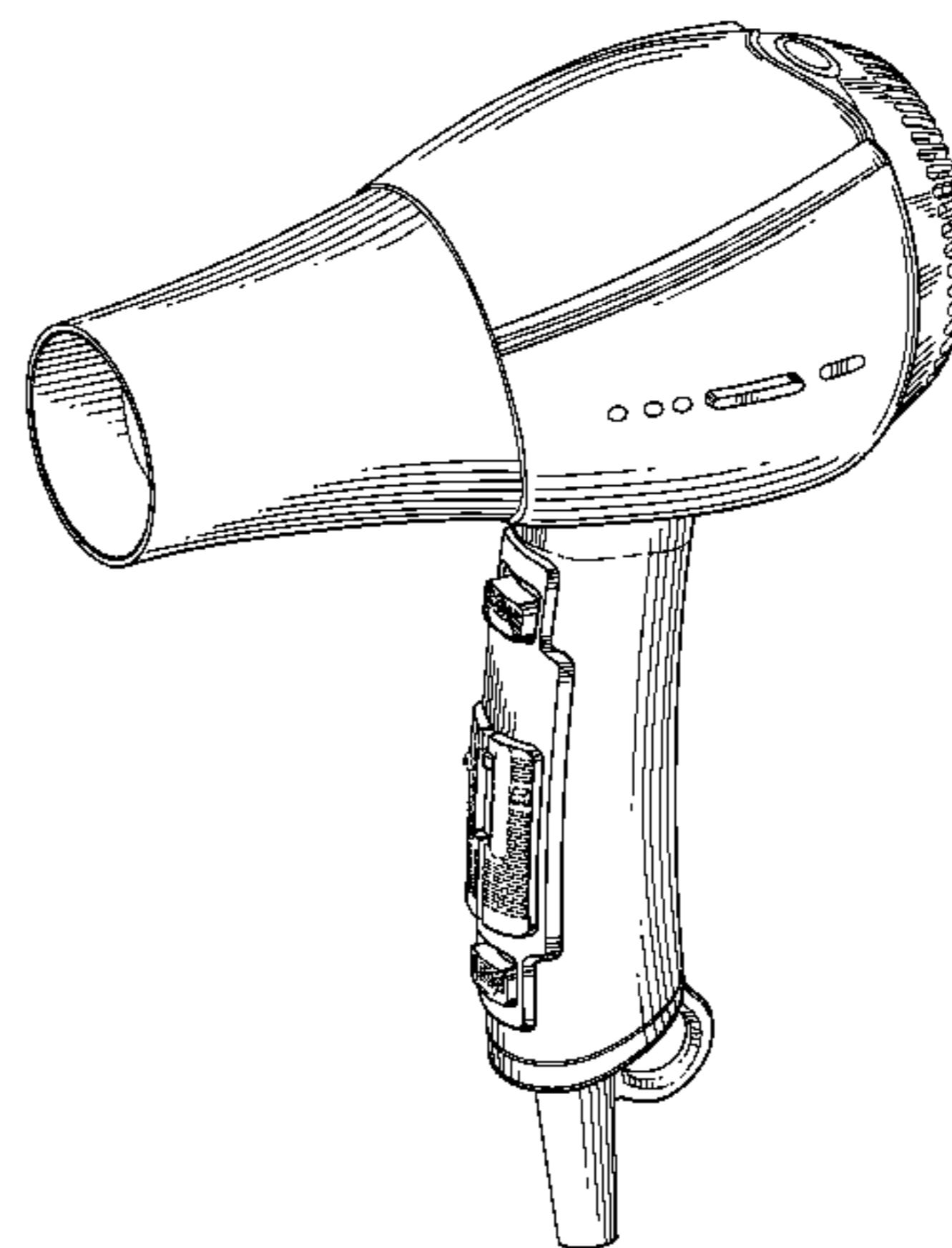
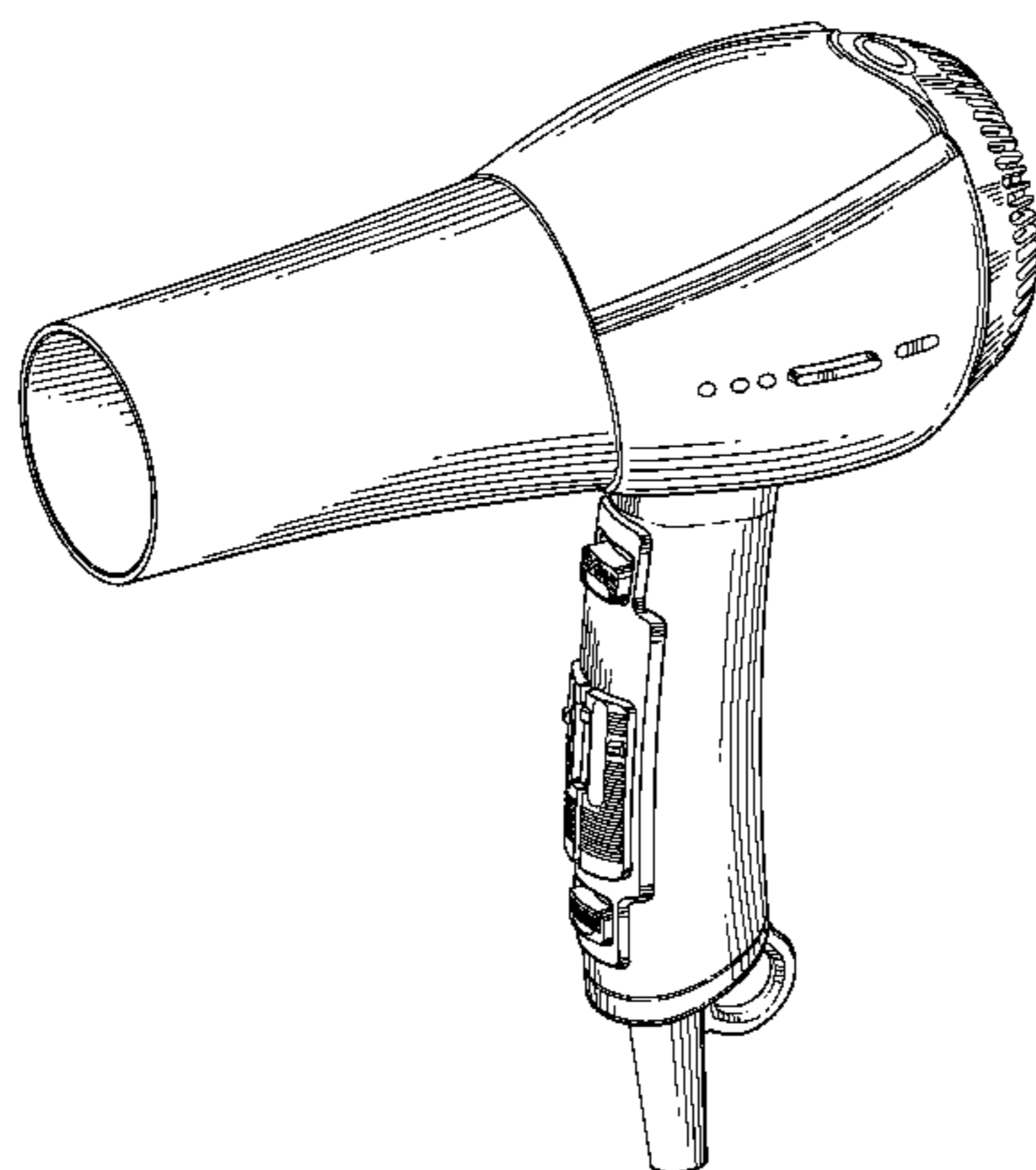
FIG. 21 is right side elevation view of FIG. 20.

FIG. 22 is left side elevation view of FIG. 20.

FIG. 23 is a front side elevation view of FIG. 20; and,

FIG. 24 is a bottom plan view of FIG. 20.

1 Claim, 18 Drawing Sheets



US D608,946 S

Page 2

U.S. PATENT DOCUMENTS

D398,717 S 9/1998 Kling et al.
D407,847 S 4/1999 Gudefin
D412,219 S 7/1999 Goetschi
D425,243 S 5/2000 Mattis
D425,665 S 5/2000 Kling et al.
D429,028 S 8/2000 Muller et al.
D432,716 S * 10/2000 Goetschi D28/13
D436,690 S 1/2001 Cruz et al.
D438,340 S * 2/2001 Gudefin D28/13
D460,214 S * 7/2002 Parodi D28/13
D470,976 S * 2/2003 Rizzuto, Jr. D28/13
D473,341 S * 4/2003 Bokelman-Dumas D28/13
D494,710 S * 8/2004 Parodi D28/13
D496,754 S * 9/2004 Parodi D28/13
D499,209 S * 11/2004 Ikesaki D28/13
D518,919 S * 4/2006 Parodi D28/13

D527,145 S 8/2006 Zimmermann
D528,698 S * 9/2006 Rizzuto, Jr. D28/13
D543,313 S * 5/2007 Petruccelli, Jr. D28/13
D544,645 S * 6/2007 Ceva D28/13

OTHER PUBLICATIONS

U.S. Appl. No. 29/336,088, filed Apr. 28, 2009; Inventor: Christoph Speh.
U.S. Appl. No. 29/336,101, filed Apr. 28, 2009; Inventor: Christoph Speh.
U.S. Appl. No. 29/336,102, filed Apr. 28, 2009; Inventor: Ingo Schmitz.
U.S. Appl. No. 29/336,973, filed May 13, 2009; Inventor: Ingo Schmitz.
U.S. Appl. No. 29/336, 975, filed May 13, 2009; Inventor: Ingo Schmitz.

* cited by examiner

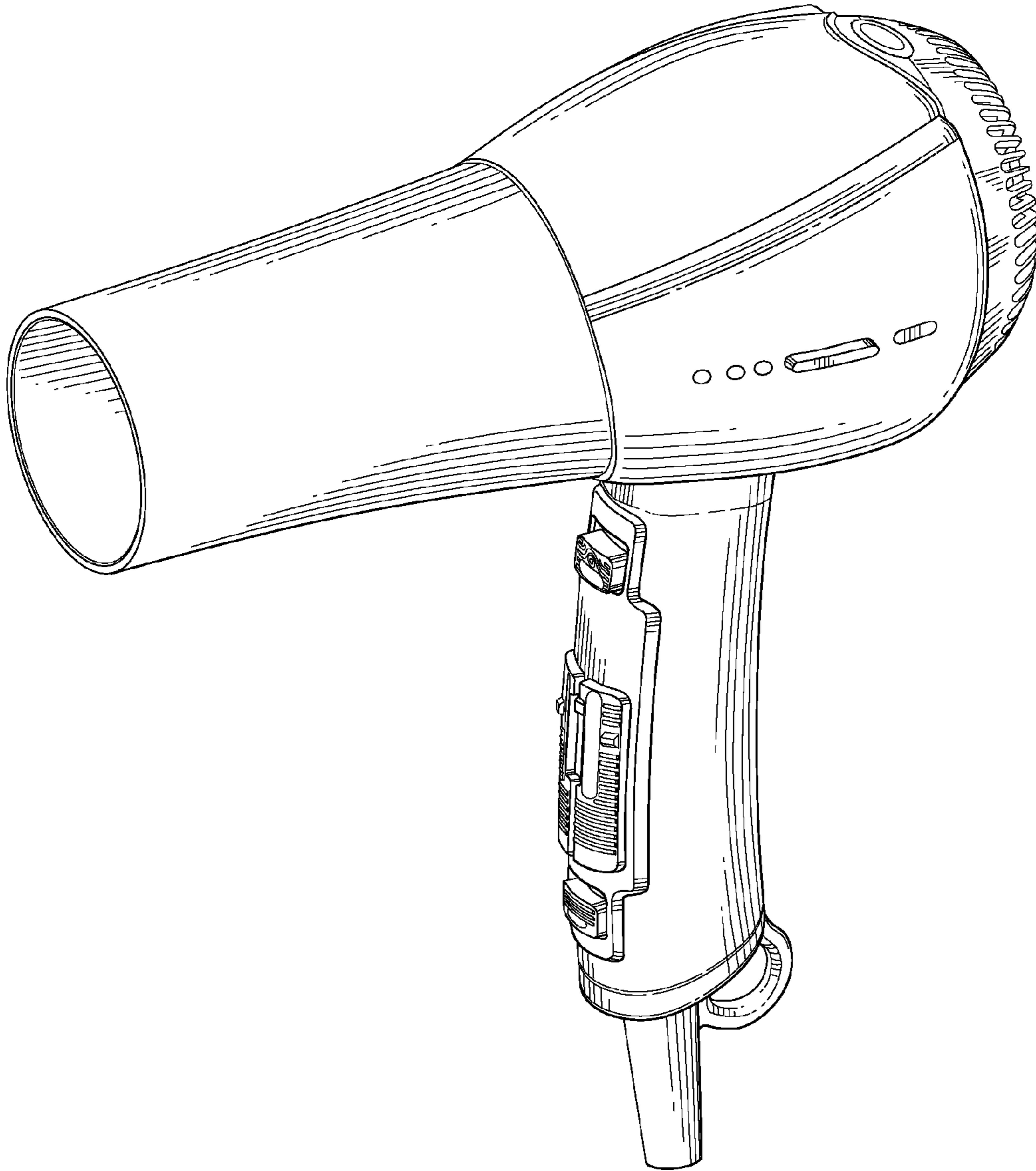


FIG. 1

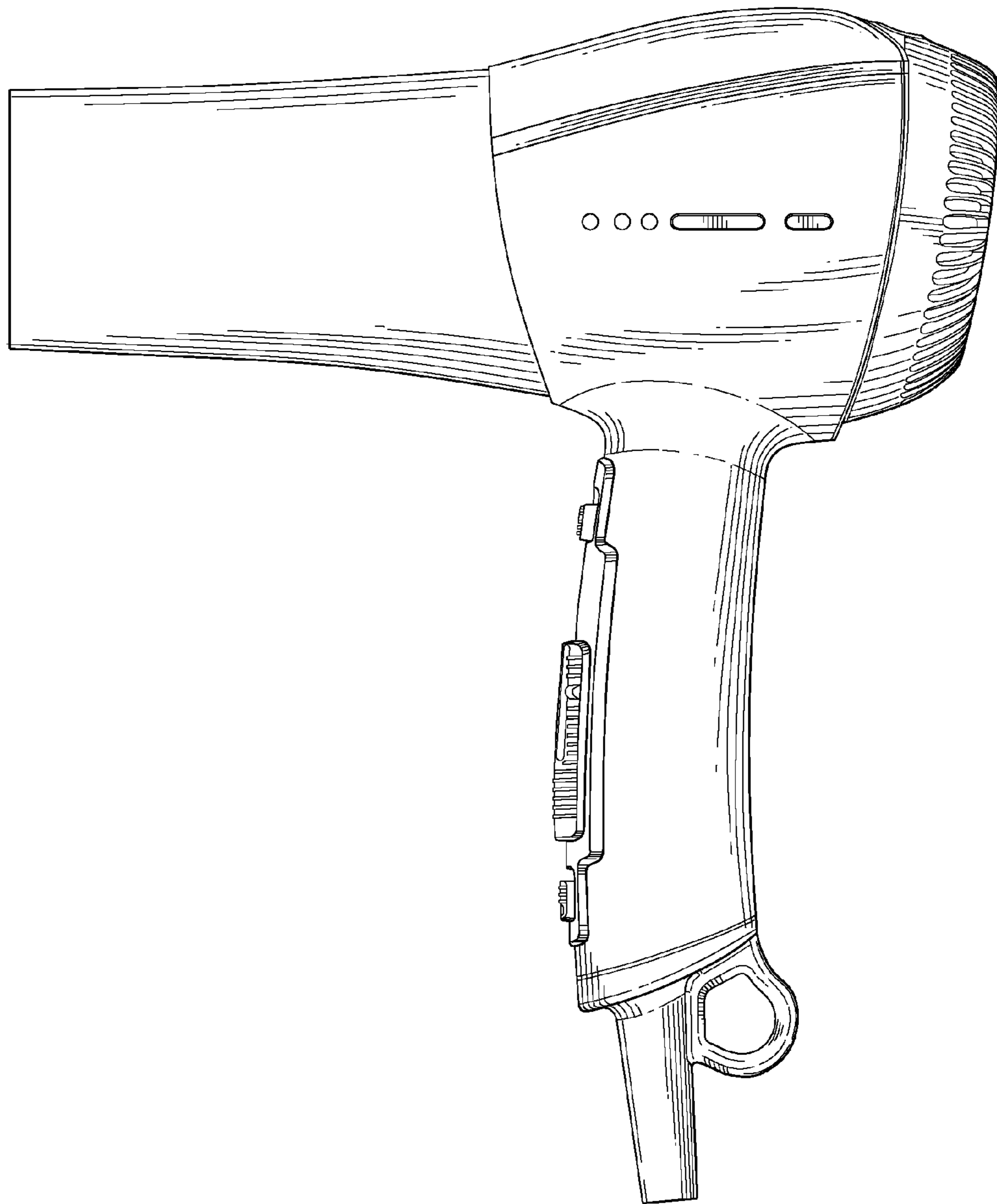


FIG.2

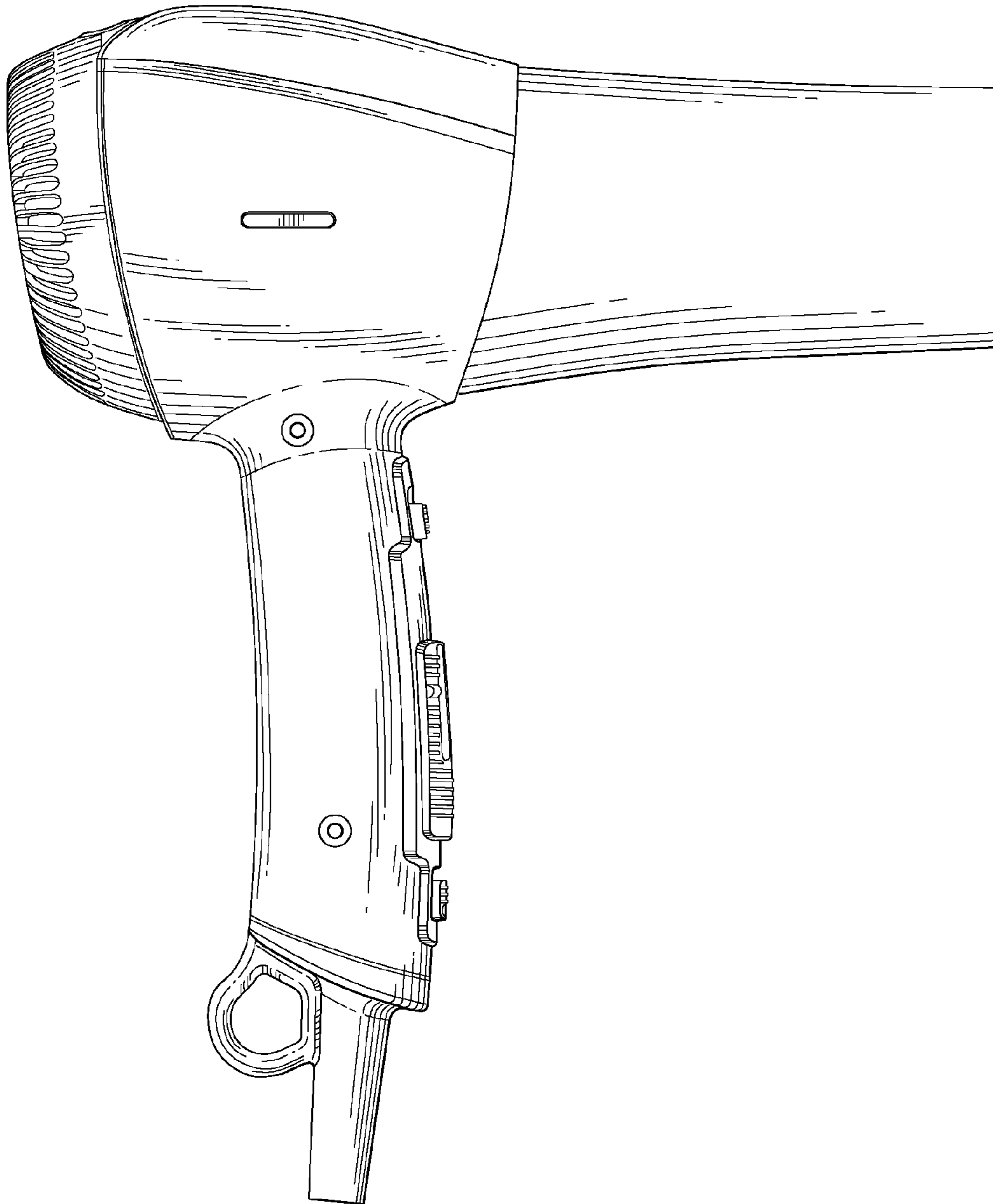


FIG.3

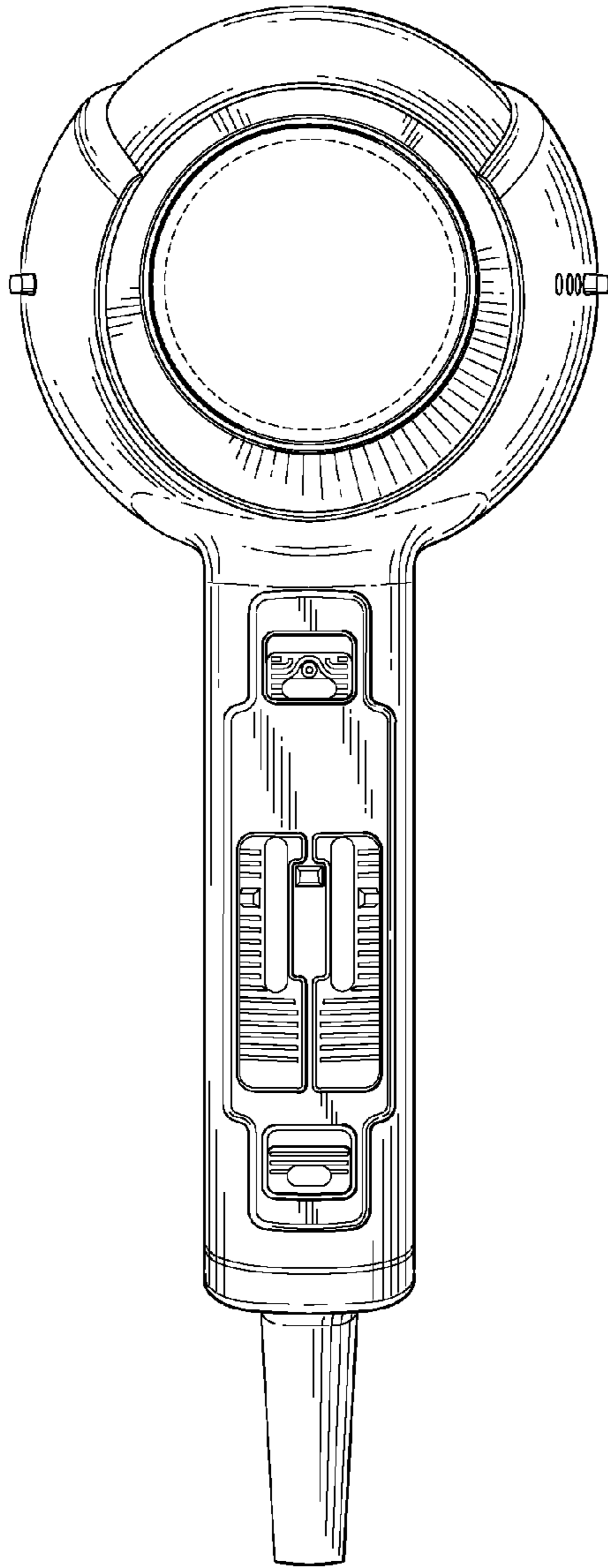


FIG.4

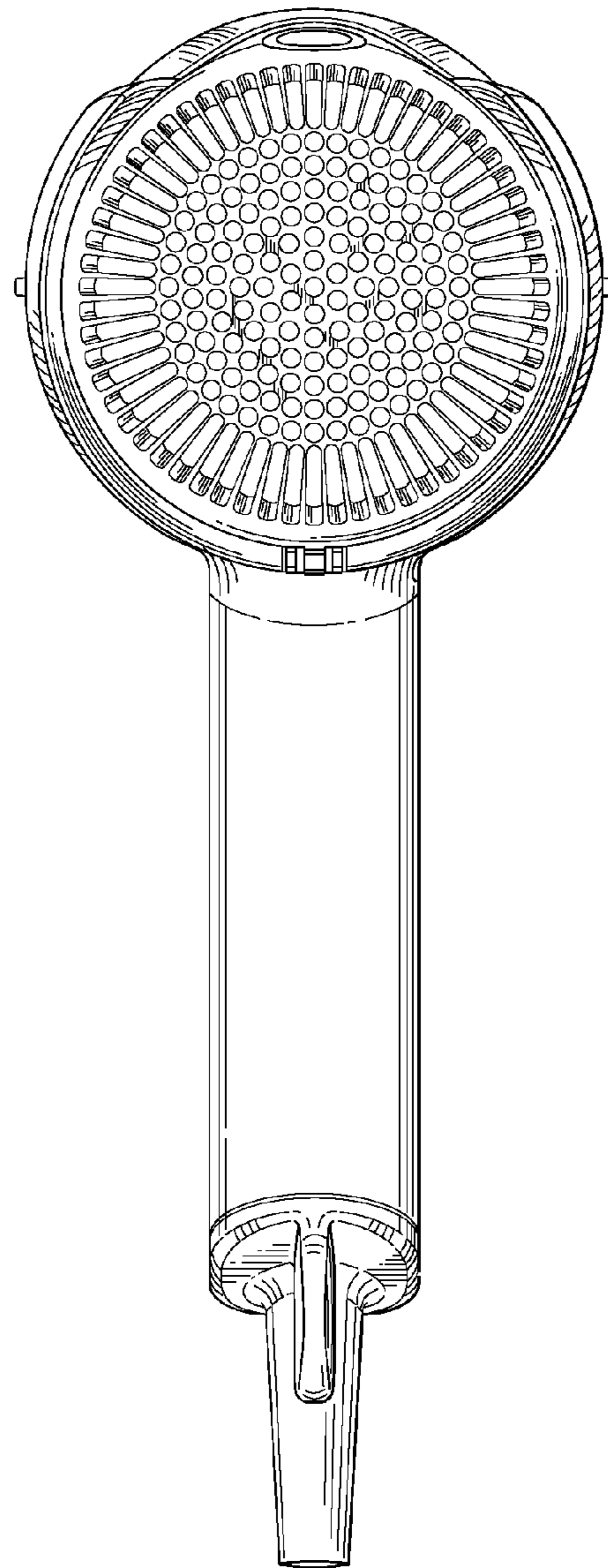


FIG.5

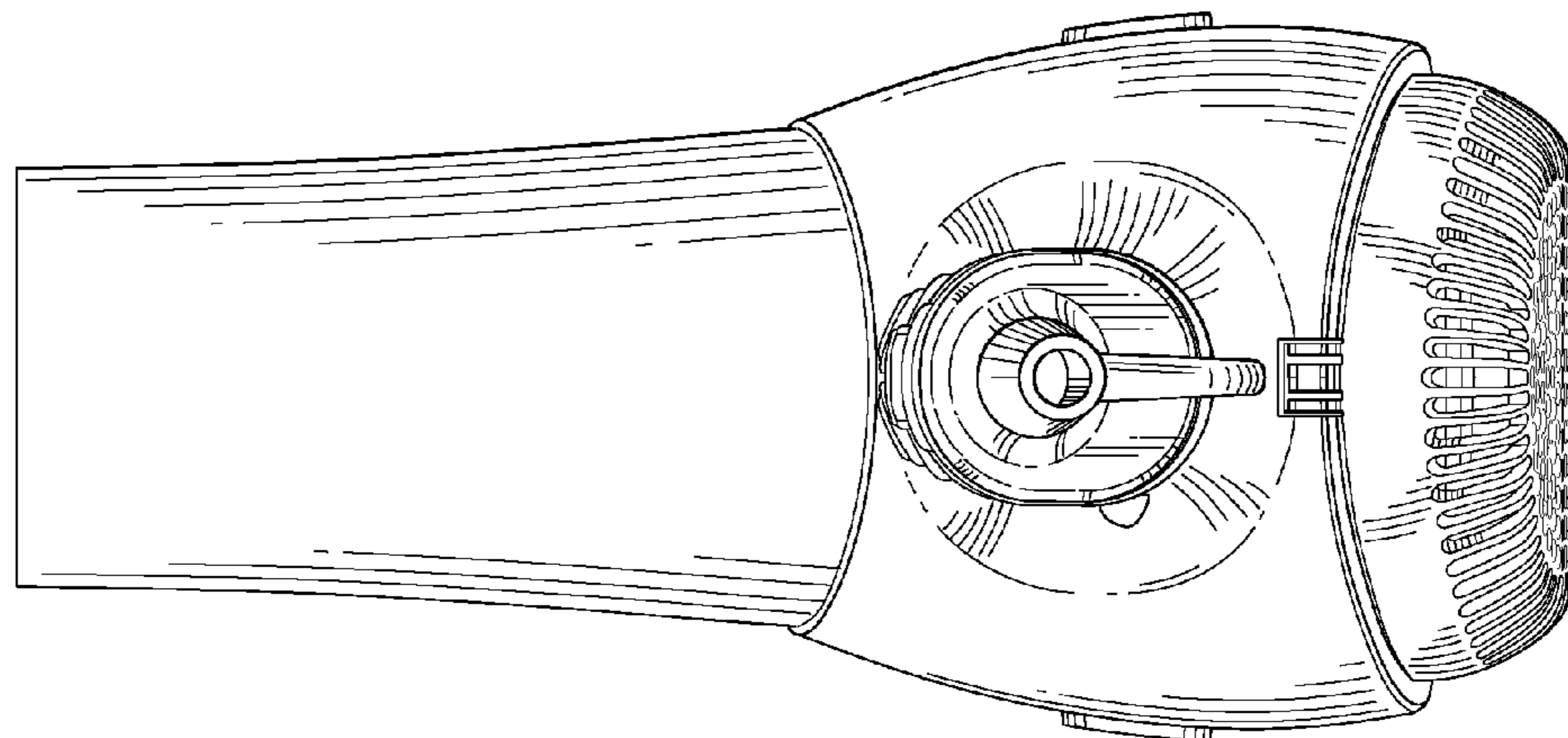


FIG. 7

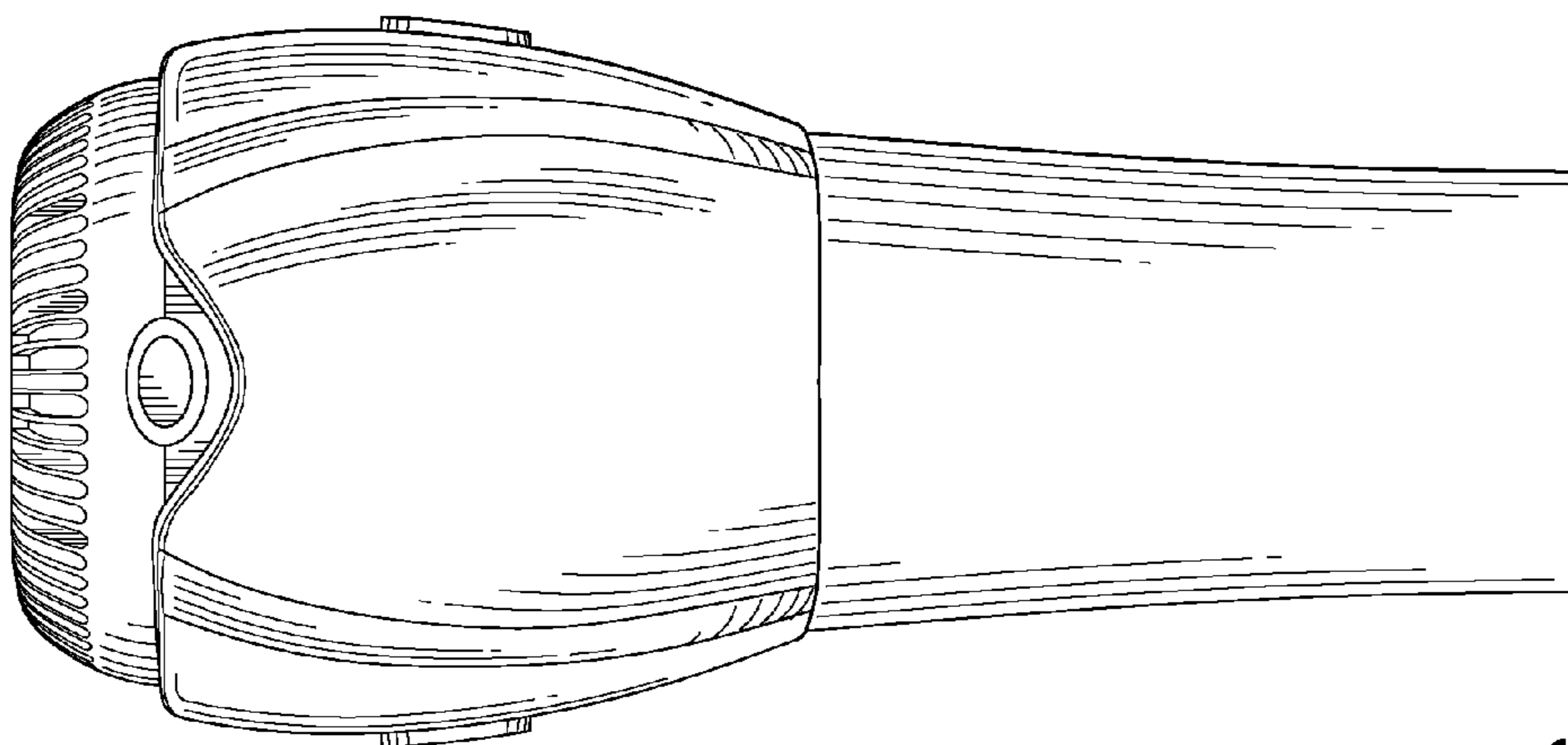


FIG. 6

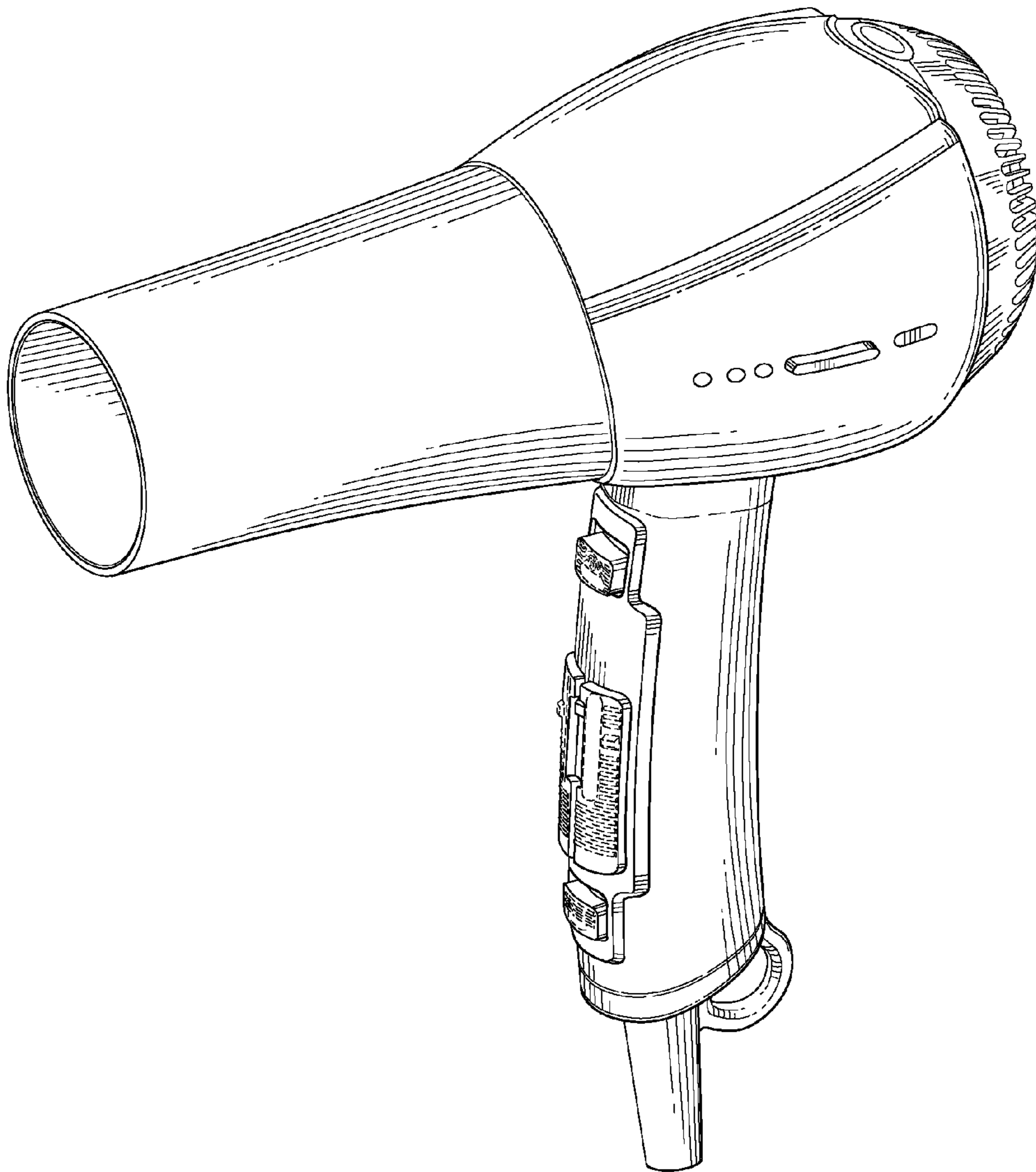


FIG.8

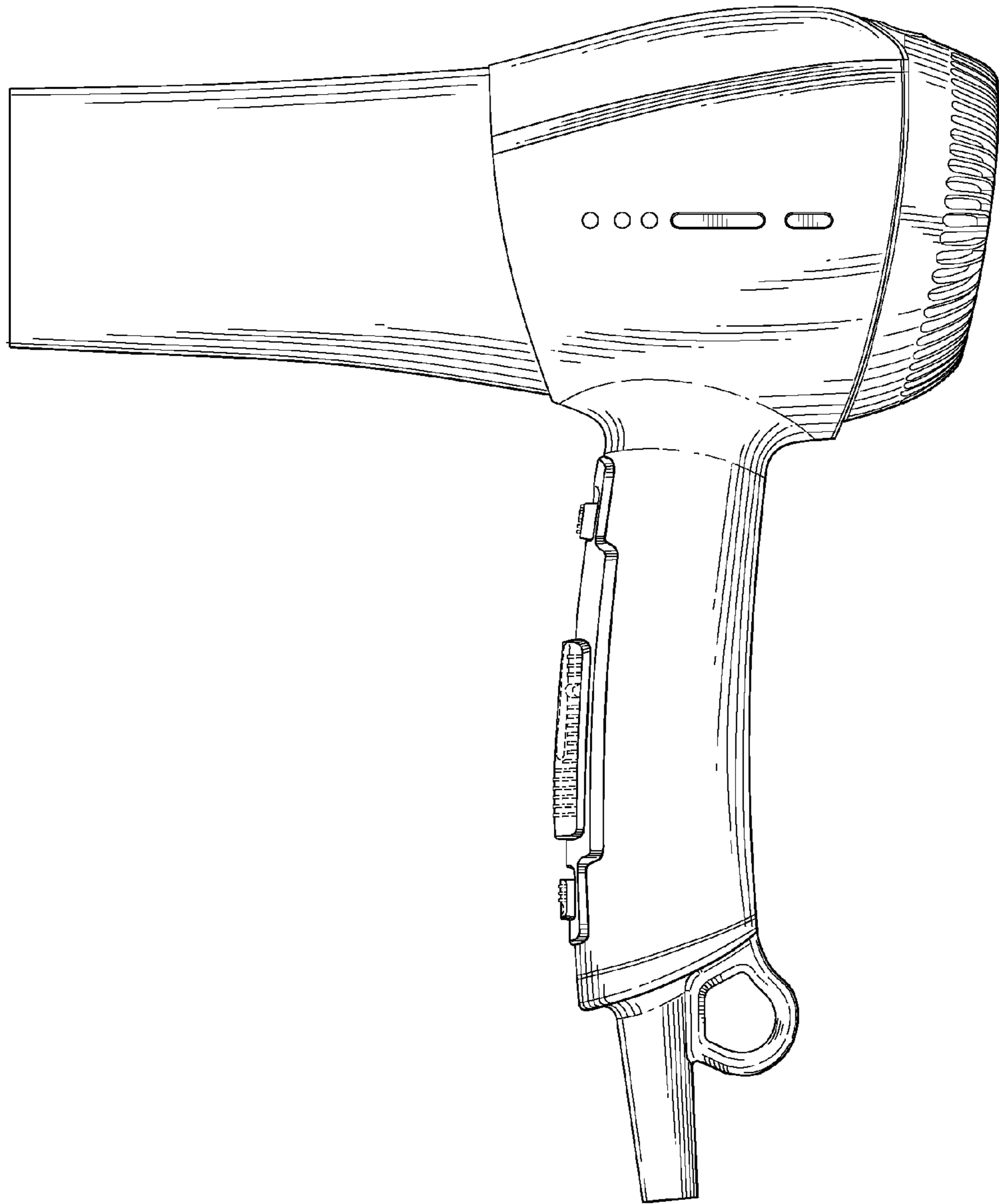


FIG.9

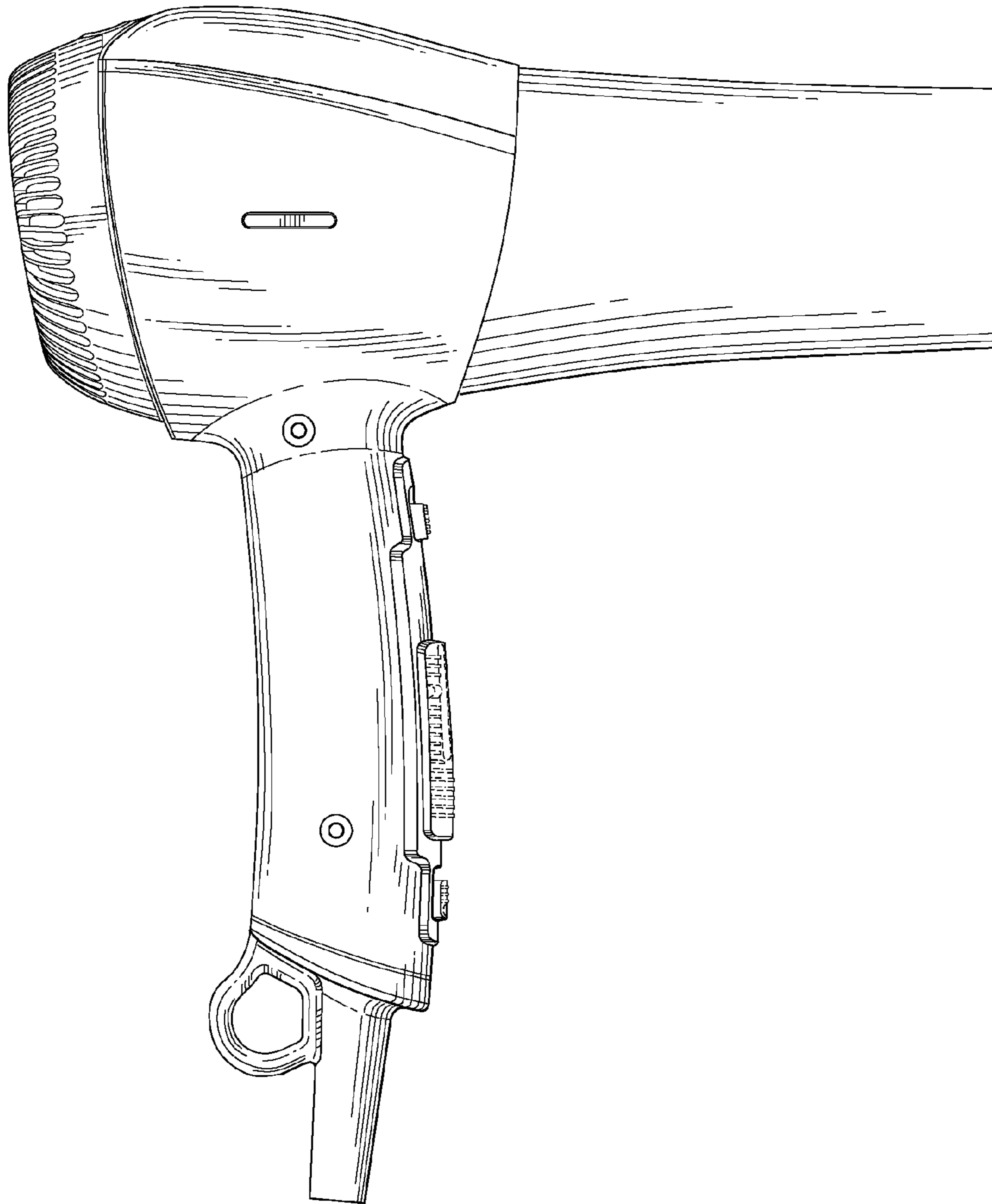


FIG.10

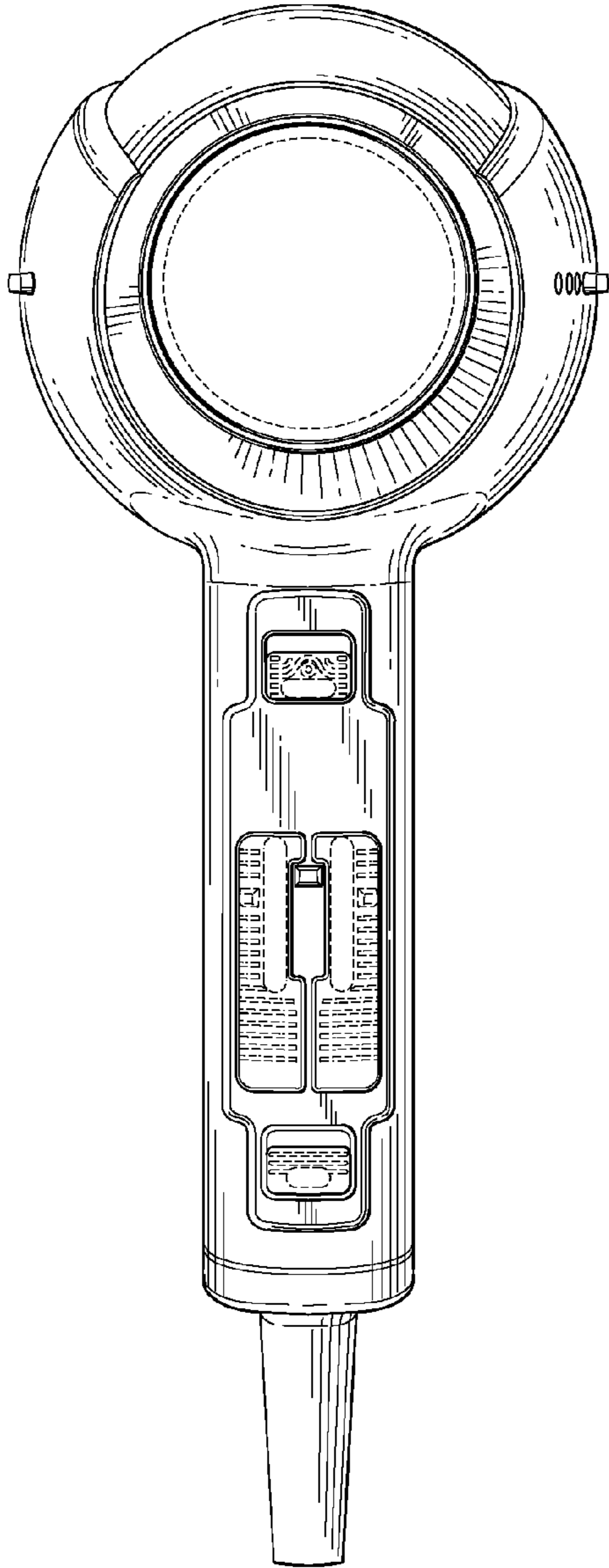


FIG.11

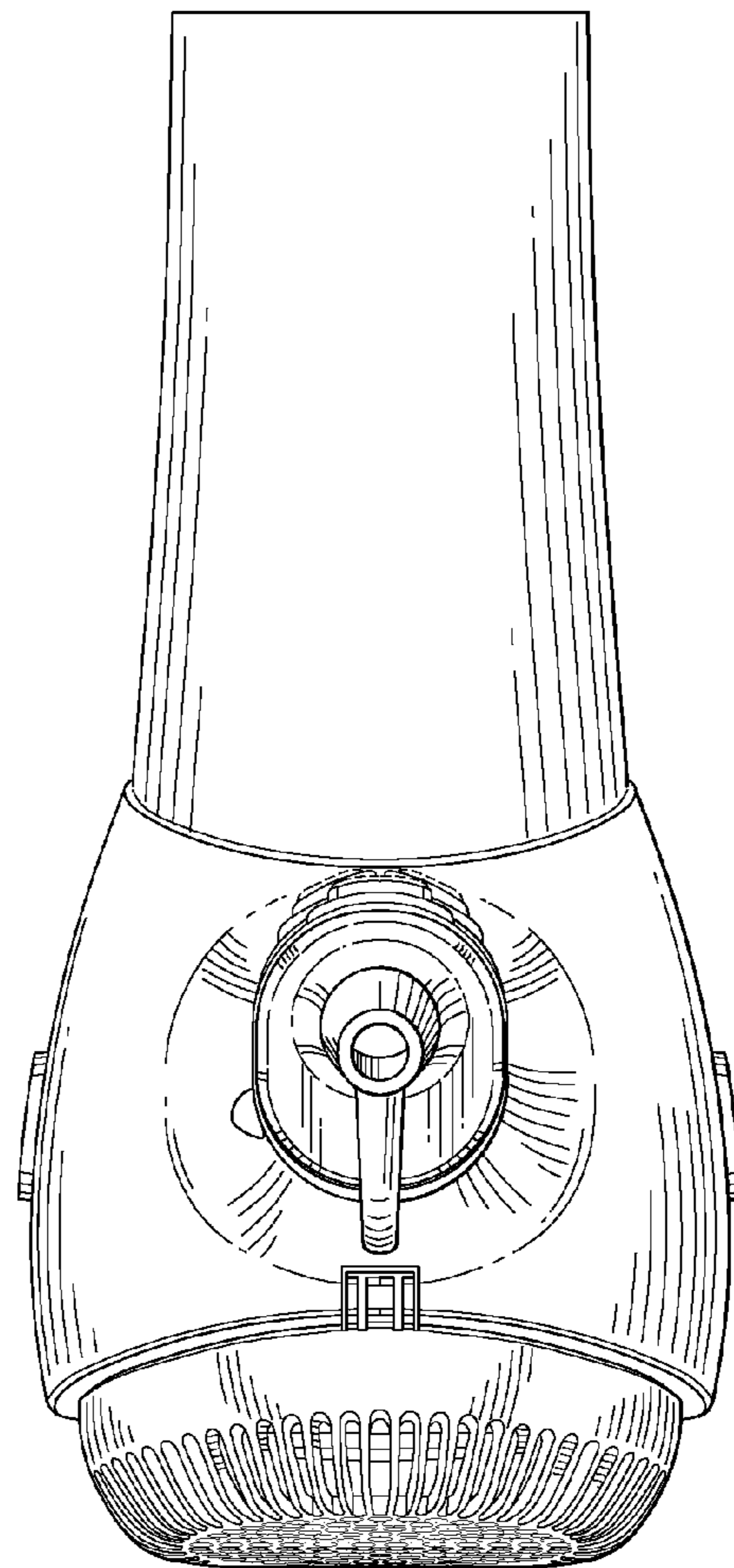


FIG.12

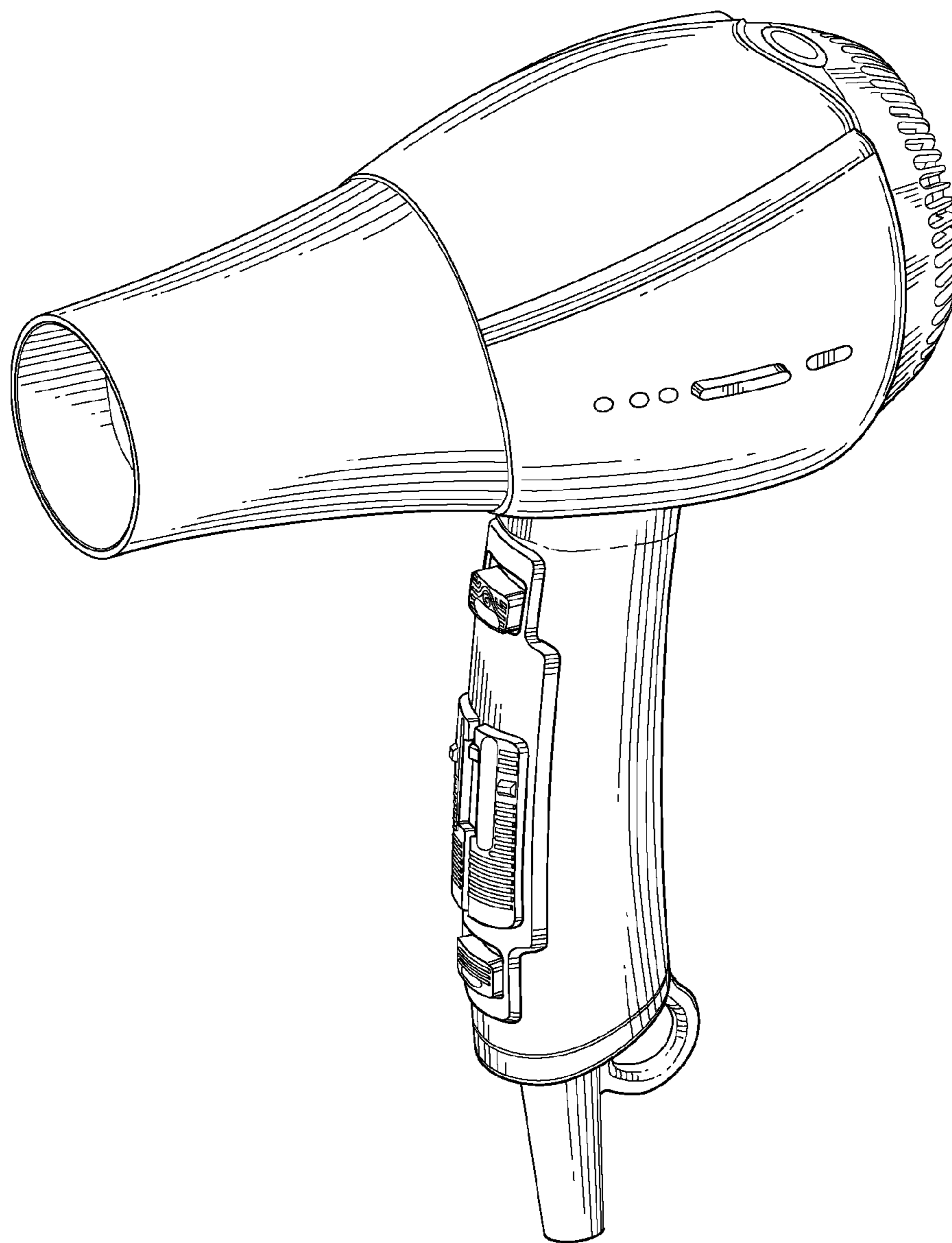


FIG.13

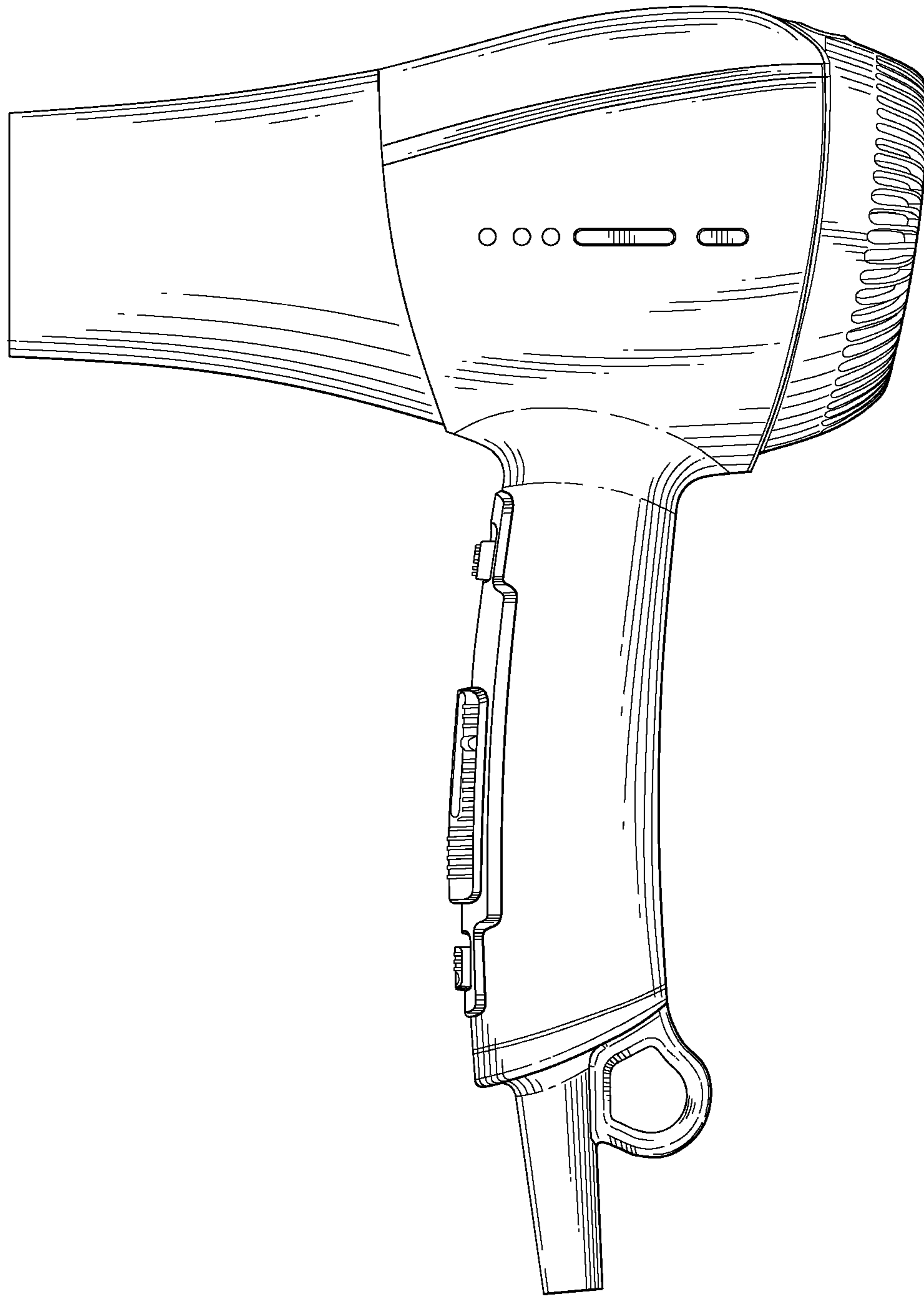


FIG.14

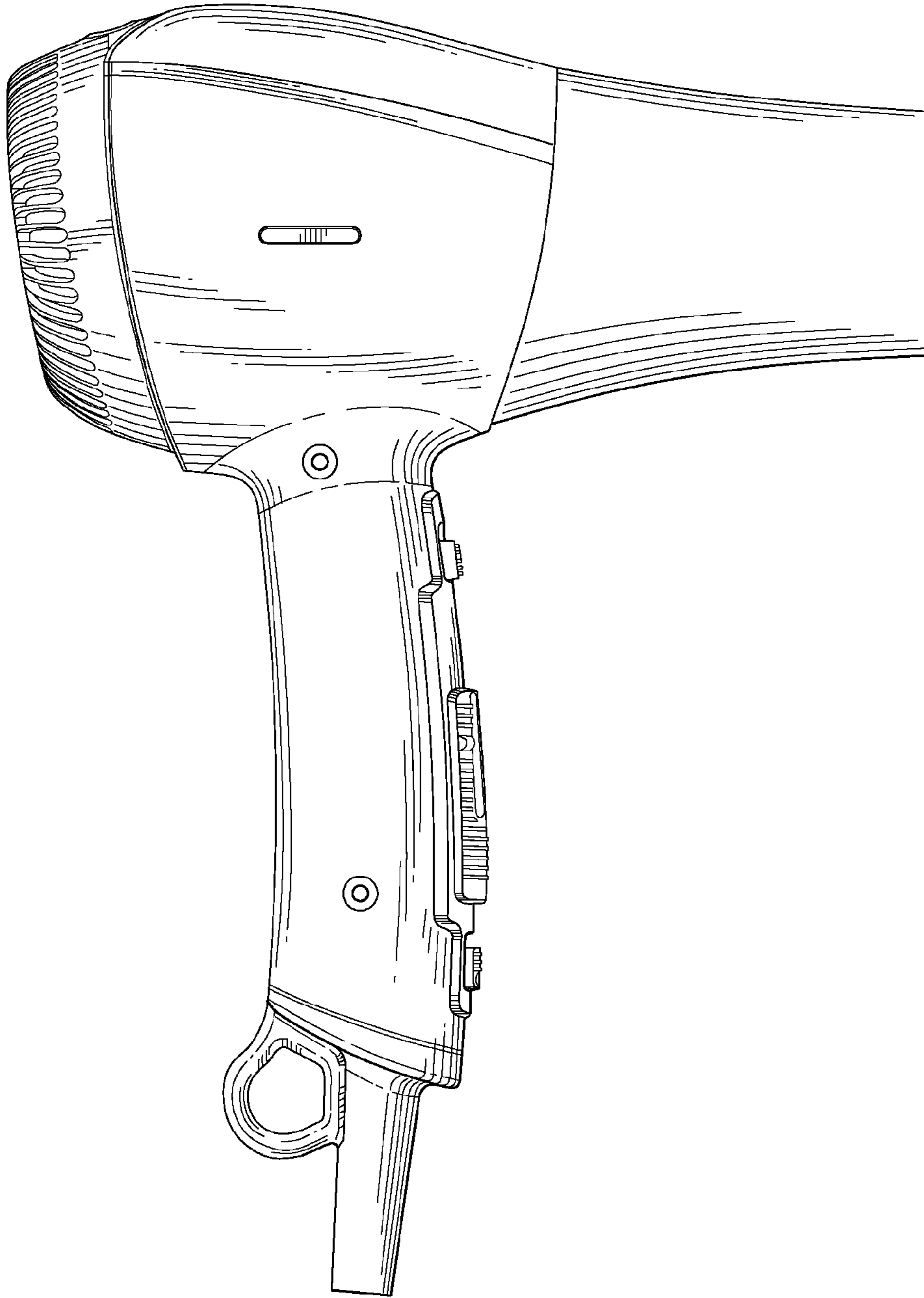


FIG.15

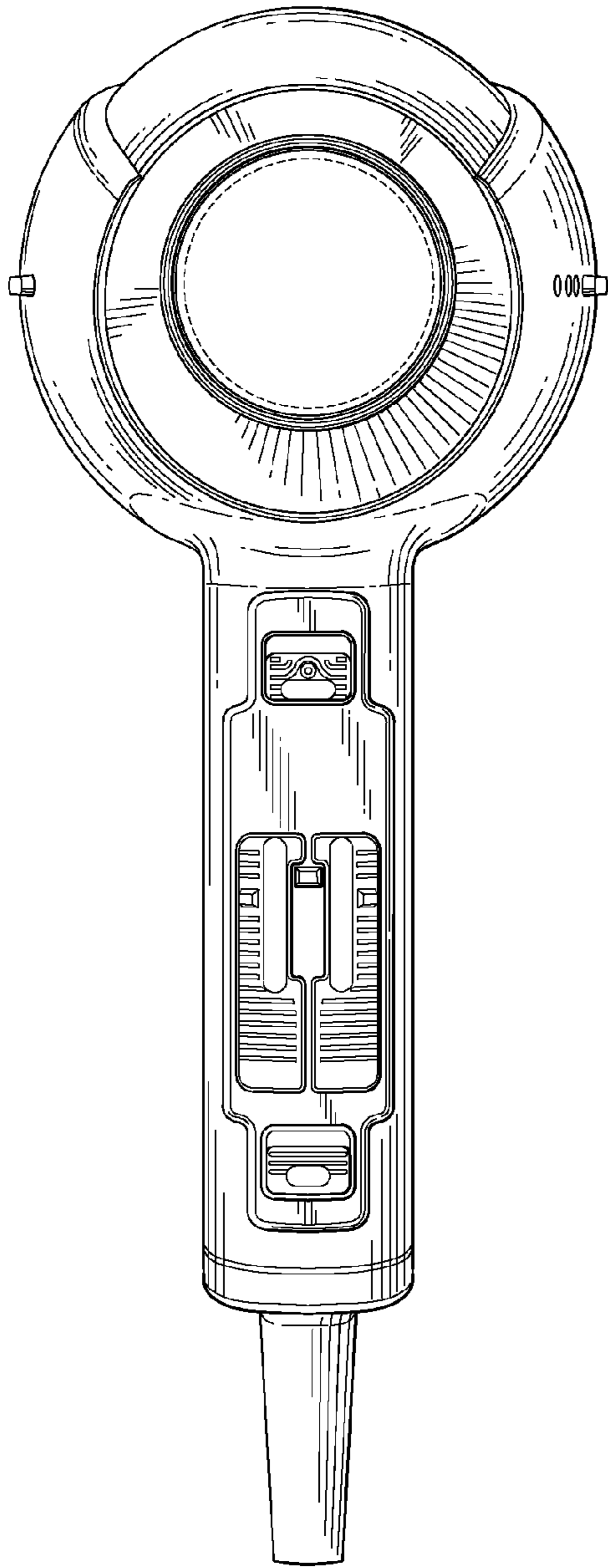


FIG. 16

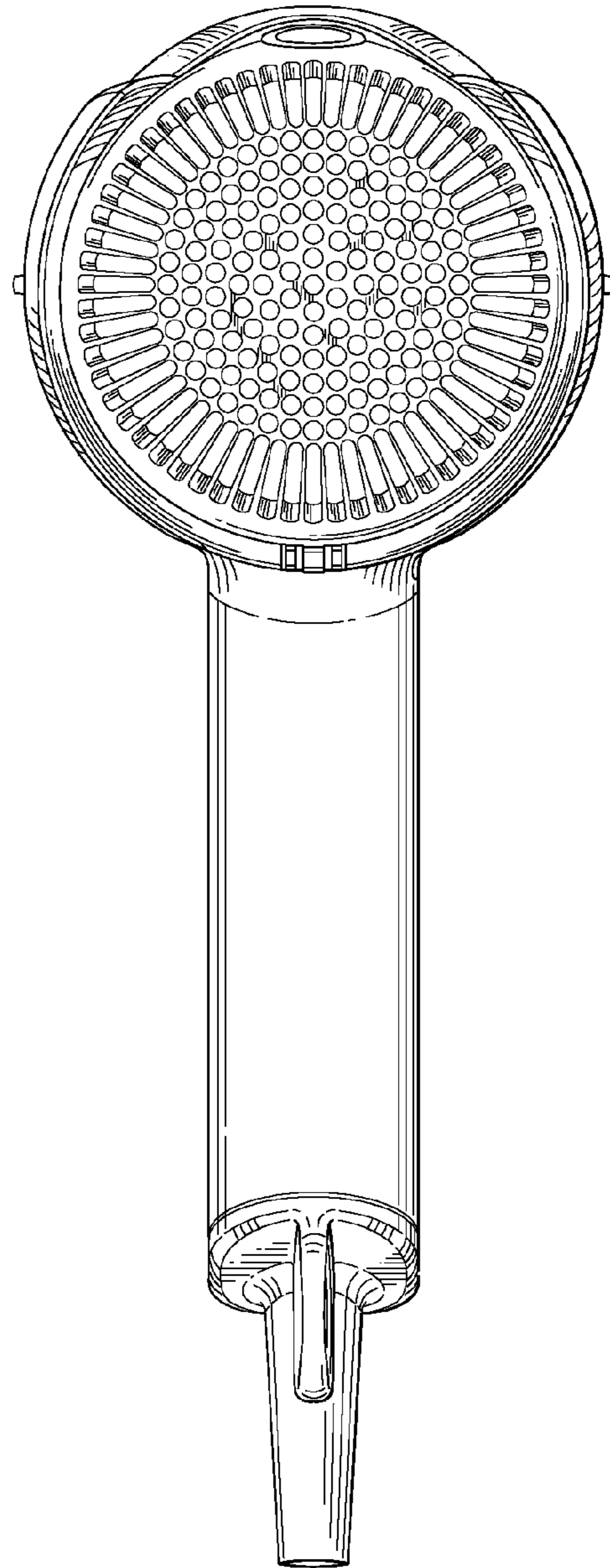


FIG. 17

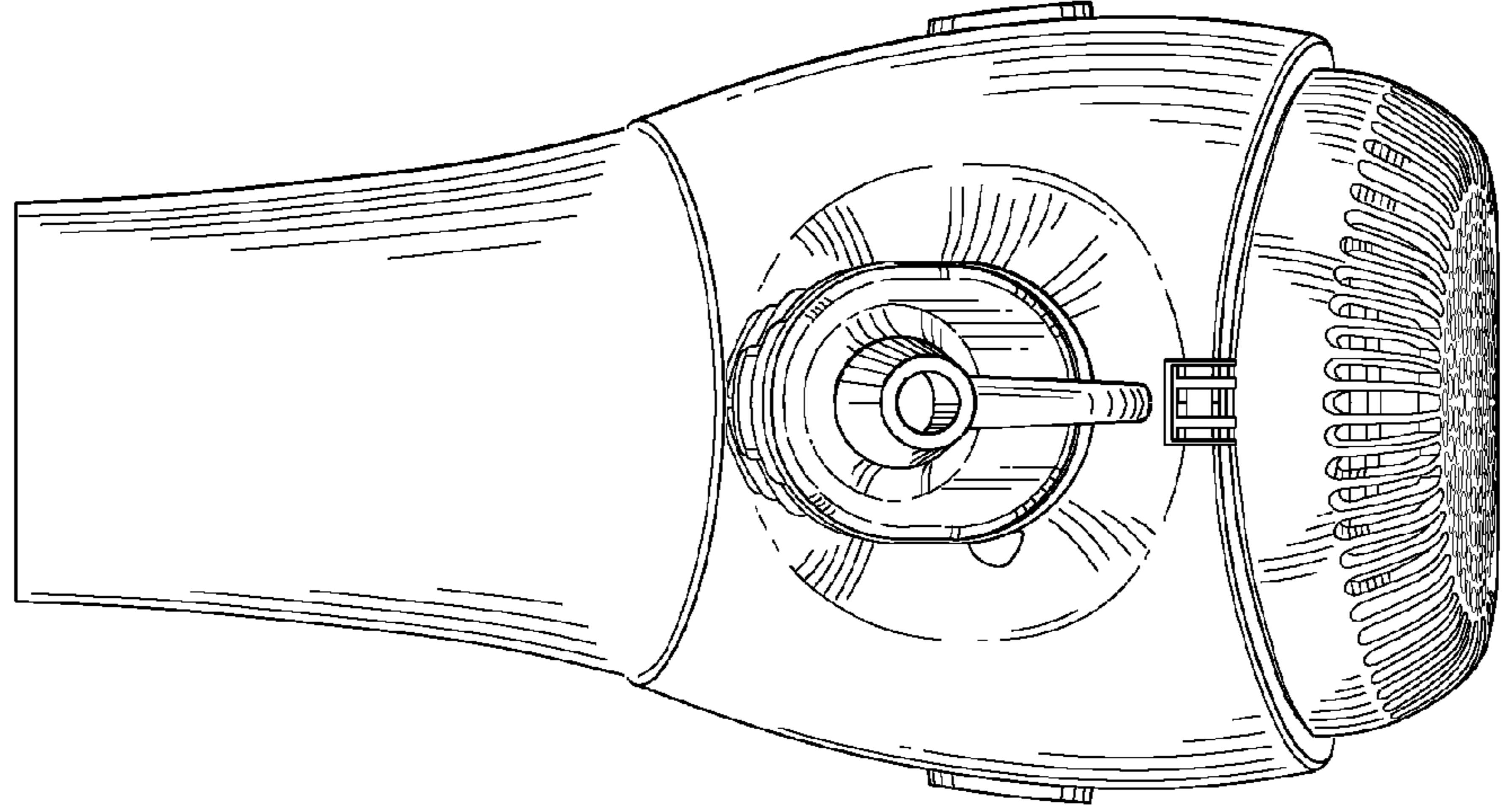


FIG.19

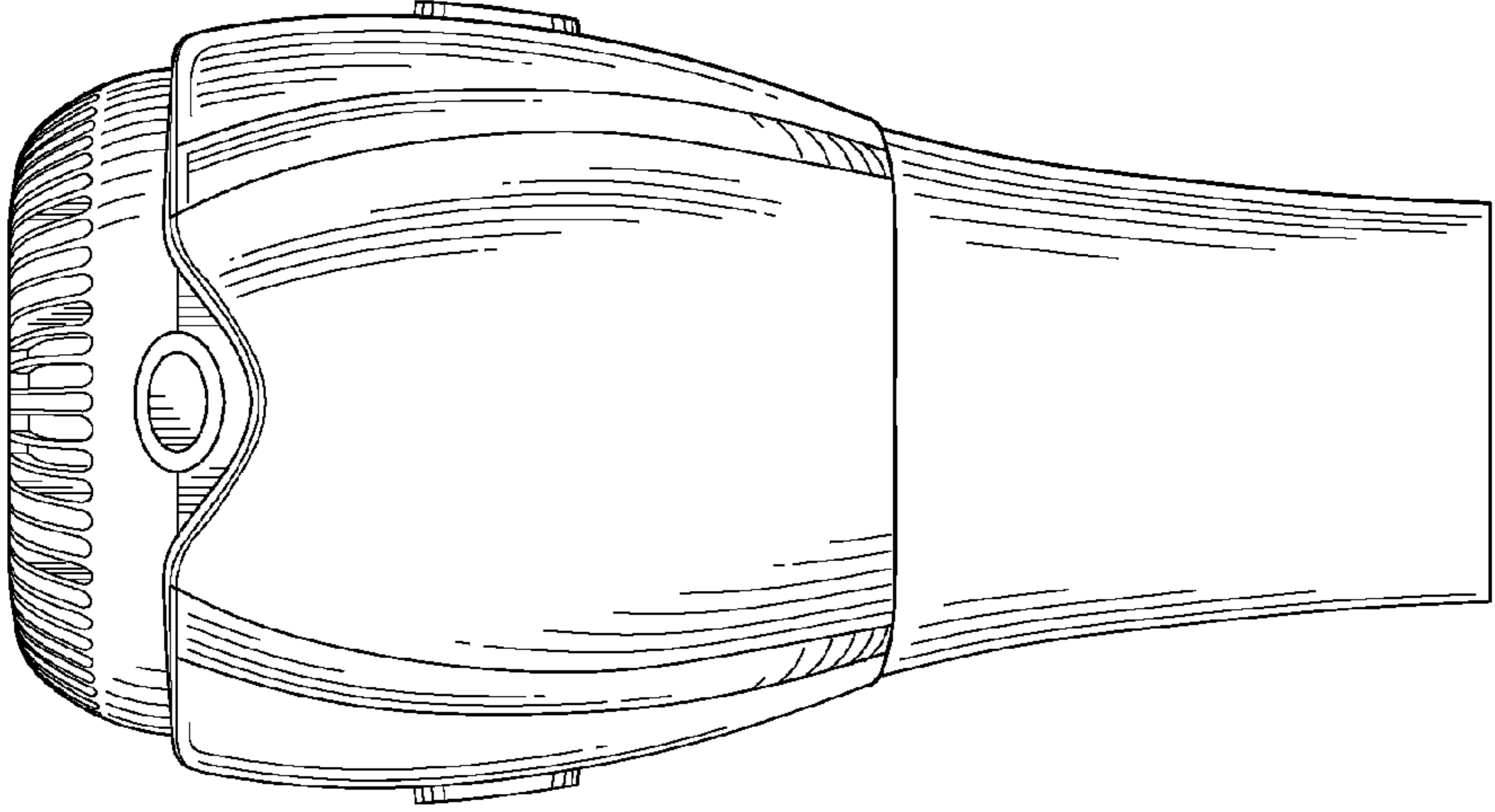


FIG.18

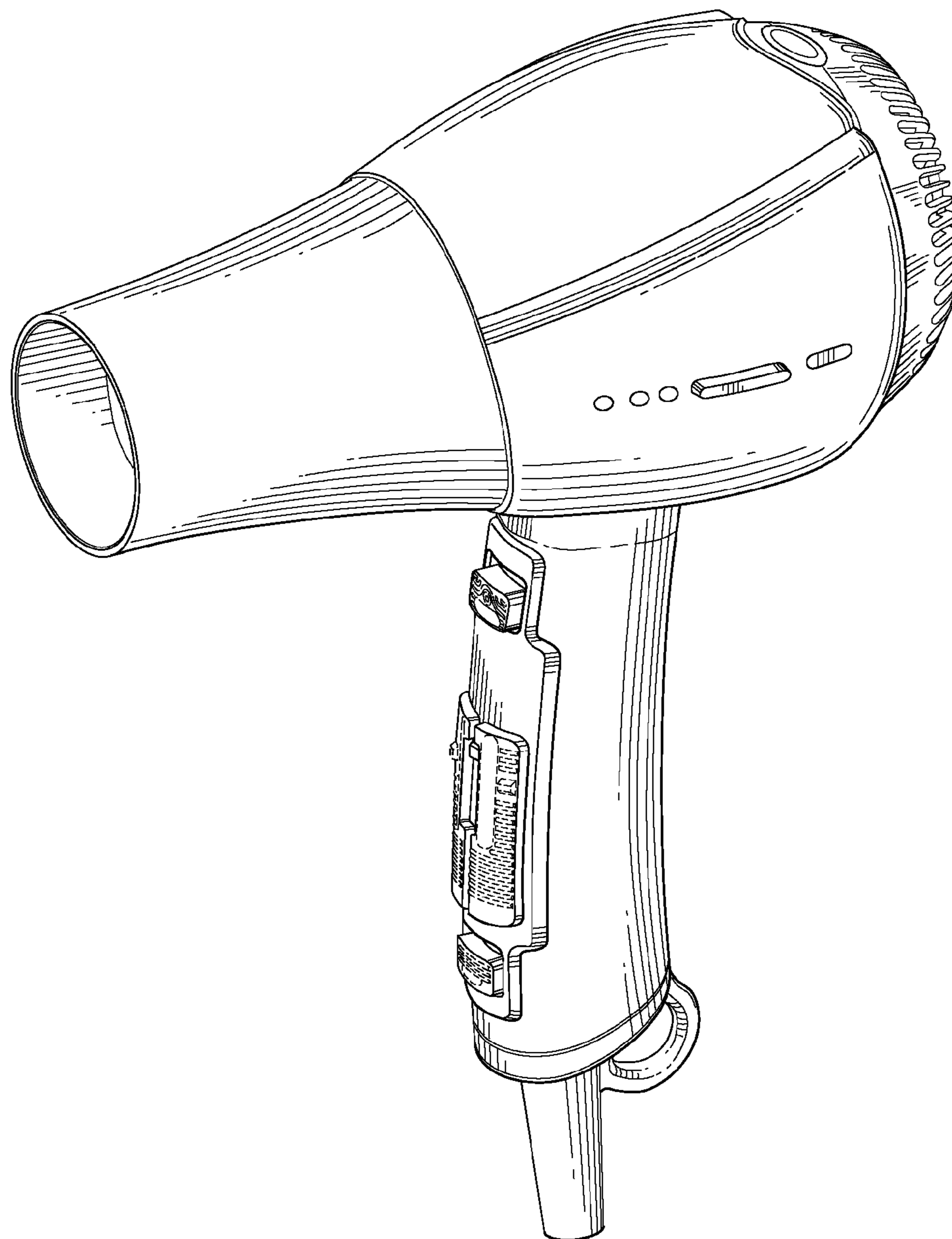


FIG.20

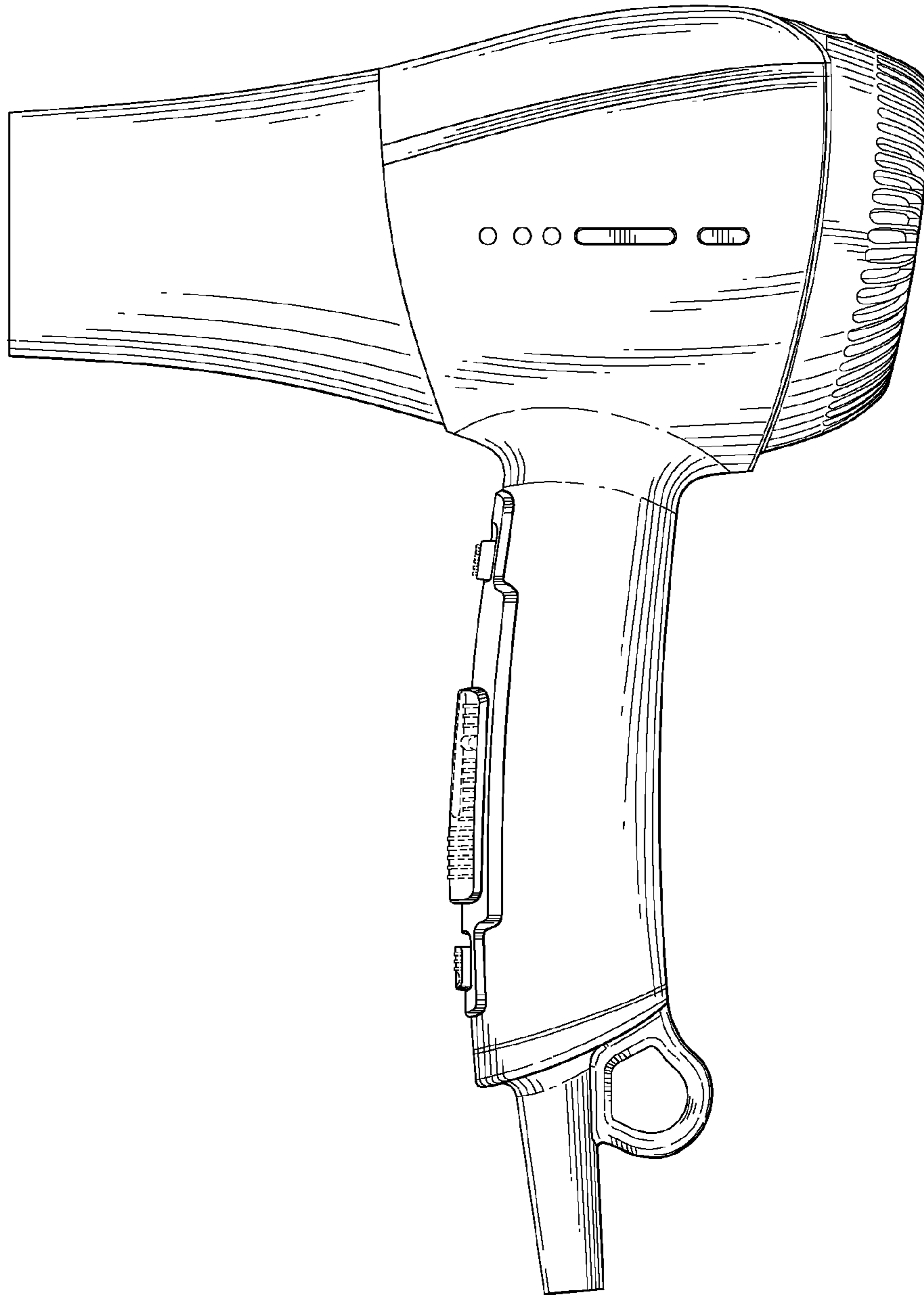


FIG.21

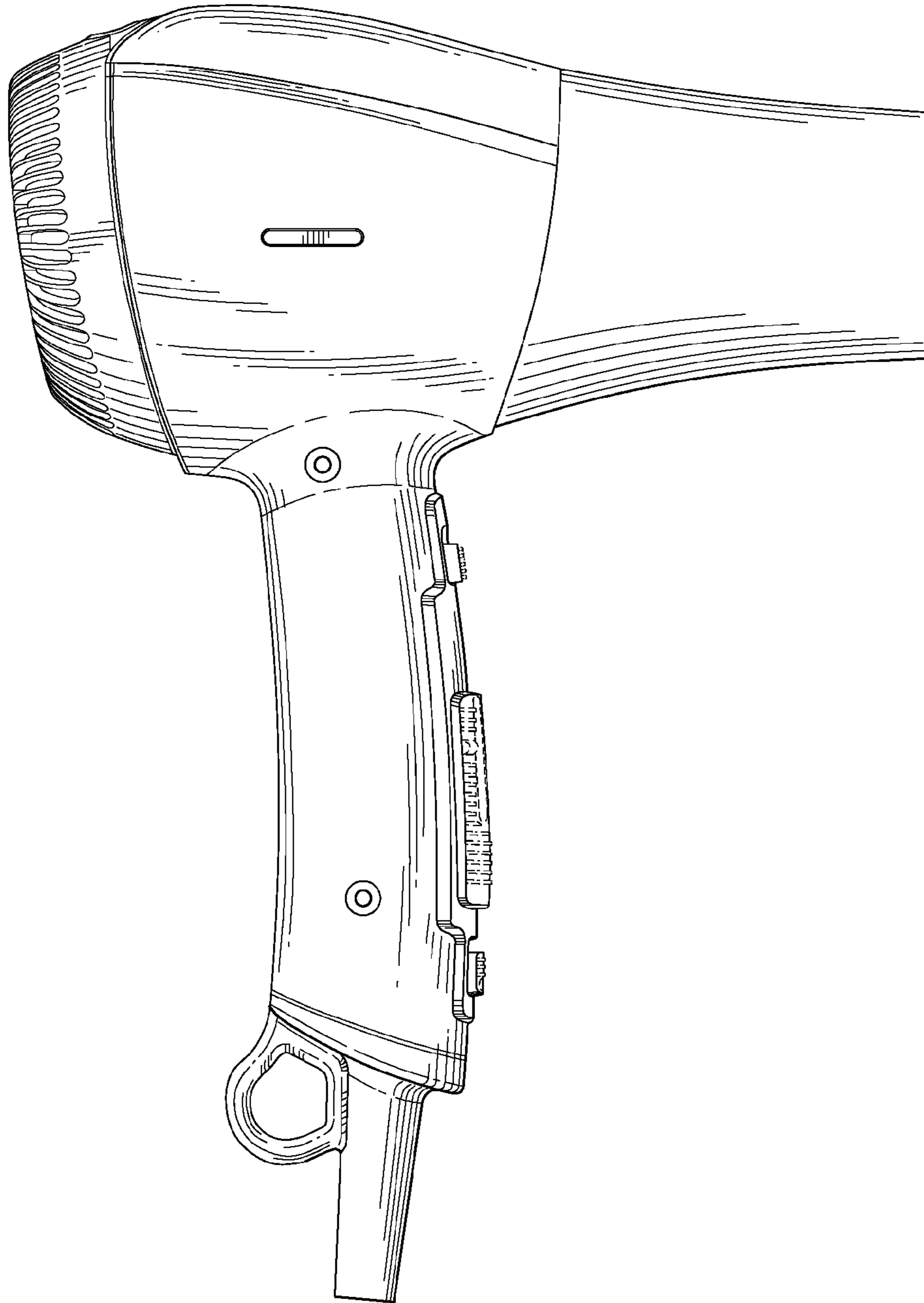


FIG.22

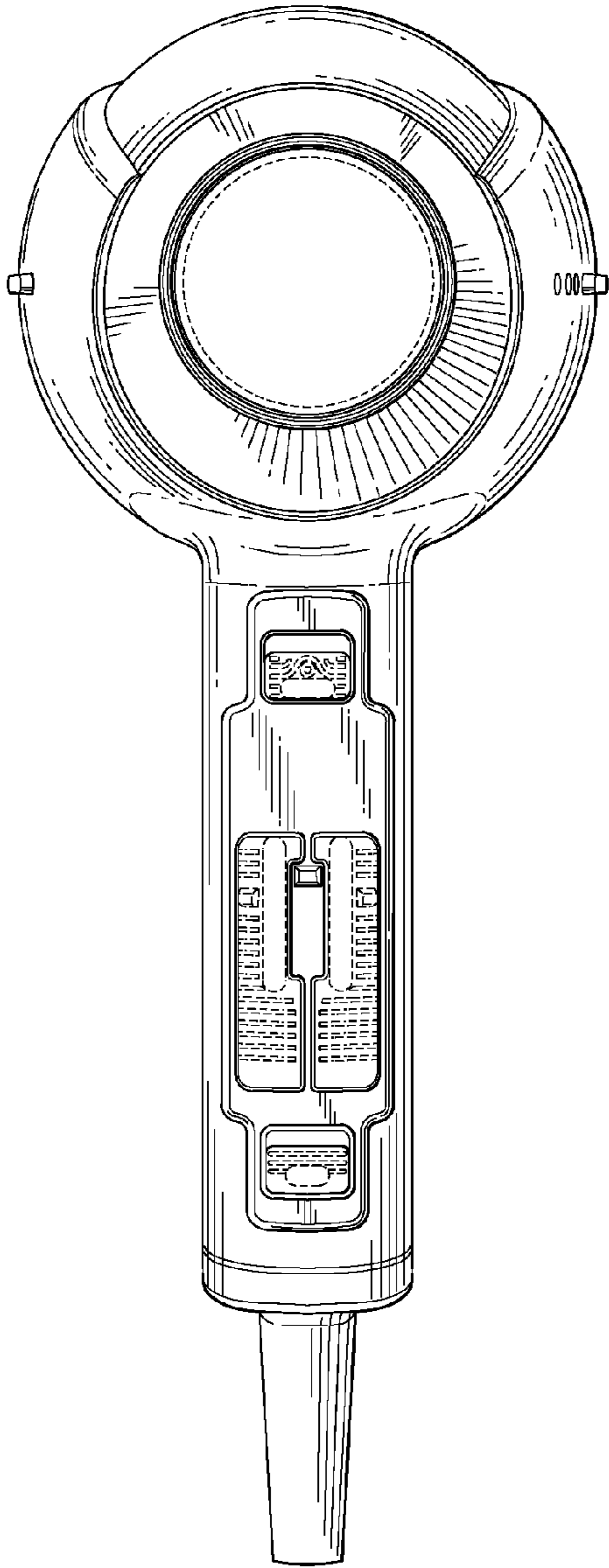


FIG.23

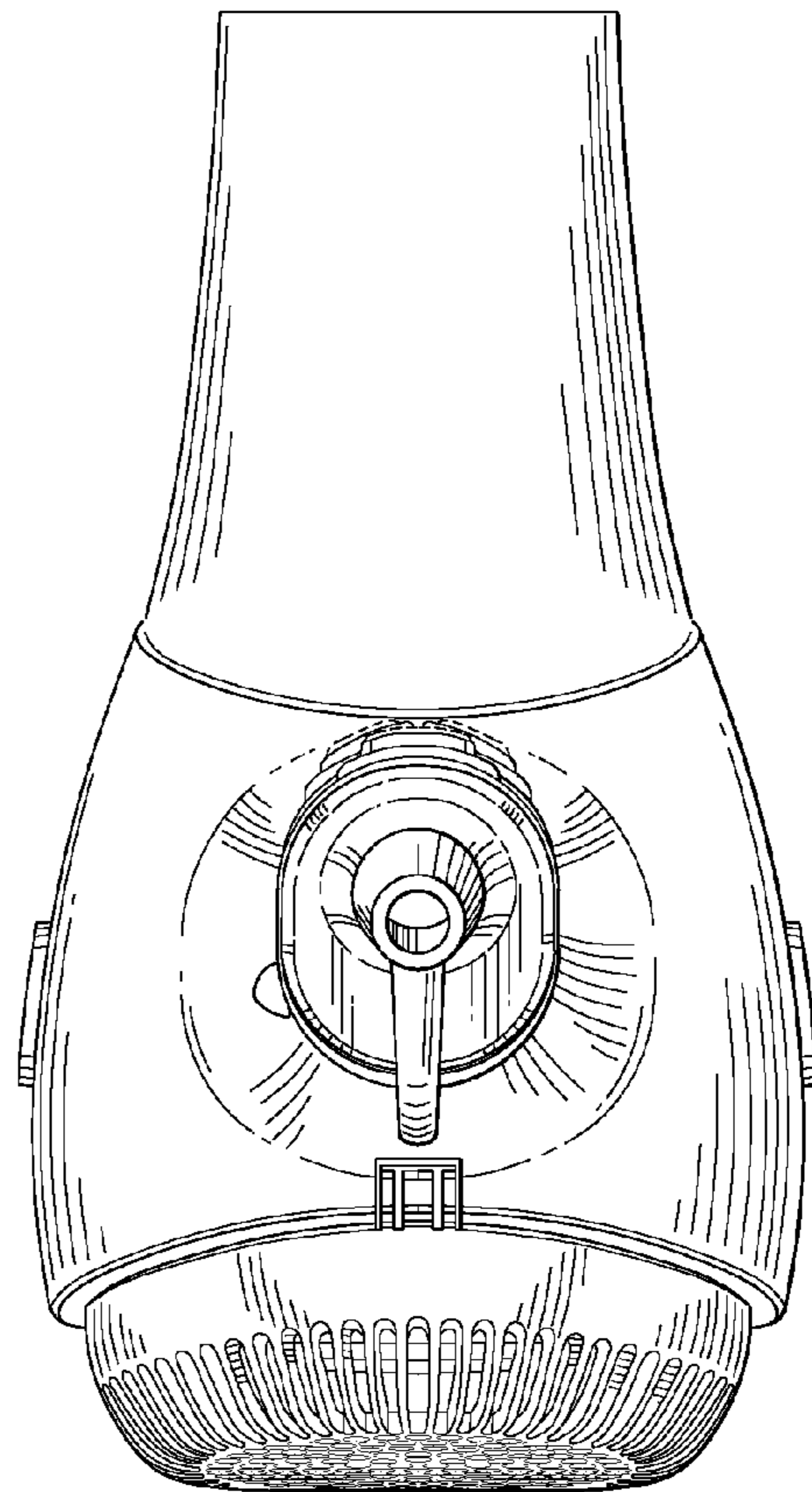


FIG.24