



US00D608945S

(12) **United States Design Patent**  
**Coleman et al.**

(10) **Patent No.:** **US D608,945 S**

(45) **Date of Patent:** **\*\* Jan. 26, 2010**

(54) **CLIPPER ORGANIZER**

(76) Inventors: **Ron Coleman**, 10823 Moonlit  
Meadows, Houston, TX (US) 77065;  
**Ronnie Watson**, 17342 Turquoise  
Stream Dr., Houston, TX (US) 77095

(\*\*) Term: **14 Years**

(21) Appl. No.: **29/322,078**

(22) Filed: **Jul. 29, 2008**

(51) **LOC (9) Cl.** ..... **28-03**

(52) **U.S. Cl.** ..... **D28/9; D28/73; D6/467**

(58) **Field of Classification Search** ..... D28/9,  
D28/10, 73; D6/411, 466, 467, 406.6, 567;  
211/60.1, 70.6; 206/351, 581  
See application file for complete search history.

(56) **References Cited**

**U.S. PATENT DOCUMENTS**

2,903,138	A *	9/1959	Brown	.....	211/60.1
5,358,127	A *	10/1994	Ennis	.....	211/60.1
5,379,903	A *	1/1995	Smith	.....	132/289
D358,280	S *	5/1995	LaFontaine	.....	D6/467
D386,817	S *	11/1997	Chesney	.....	D28/73
D473,991	S *	4/2003	Moon et al.	.....	D6/567
D553,874	S *	10/2007	Orlando	.....	D6/411
D571,124	S *	6/2008	Strause	.....	D6/466

7,513,361	B1 *	4/2009	Mills, Jr.	.....	206/351
7,536,789	B2 *	5/2009	Michel	.....	30/233.5
2008/0289983	A1 *	11/2008	Barnett, Jr.	.....	206/351

\* cited by examiner

*Primary Examiner*—Jennifer Rivard  
(74) *Attorney, Agent, or Firm*—John K. Buche; Scott D. Compton; Buche & Associates, P.C.

(57) **CLAIM**

The ornamental design for a clipper organizer, as shown and described.

**DESCRIPTION**

FIG. 1 is a perspective view of a clipper organizer showing our new design, with hair clippers depicted in dashed lines and being no part of the claimed design;

FIG. 2 is another perspective view of the clipper organizer;

FIG. 3 is a front elevational view of the clipper organizer;

FIG. 4 is a rear elevational view of the clipper organizer;

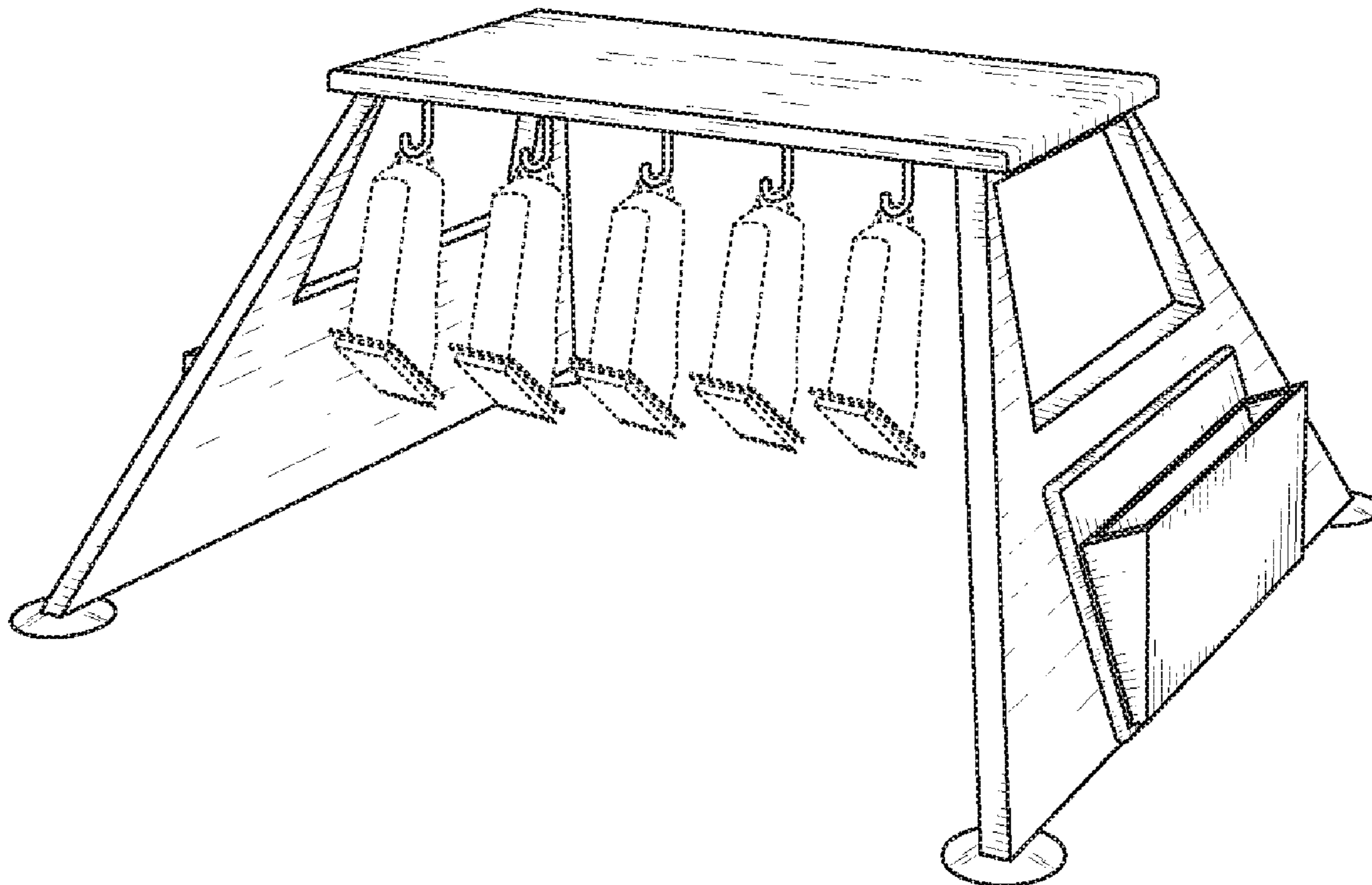
FIG. 5 is a left side elevational view of the clipper organizer;

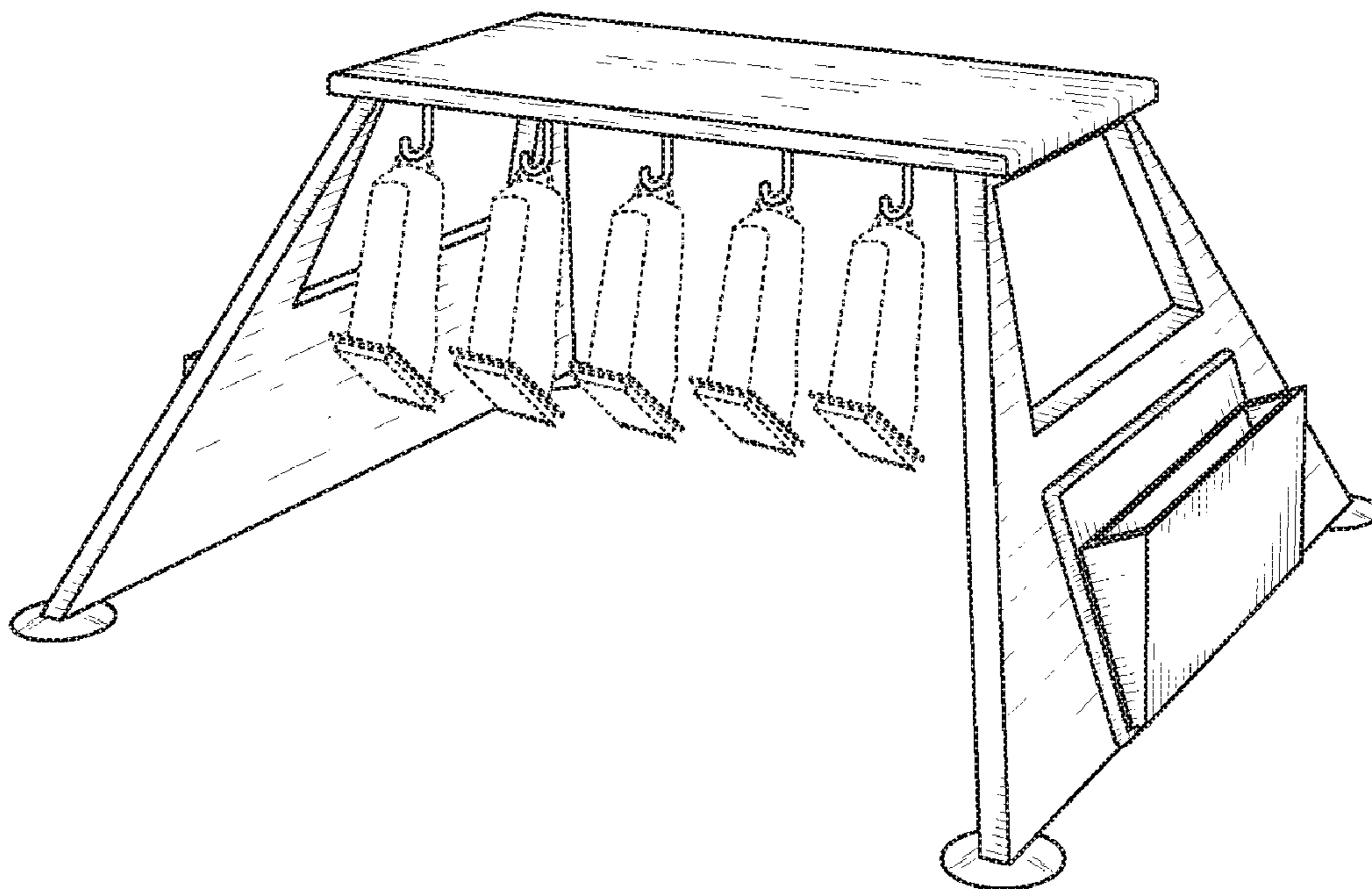
FIG. 6 is a right side elevational view of the clipper organizer;

FIG. 7 is a top view of the clipper organizer; and,

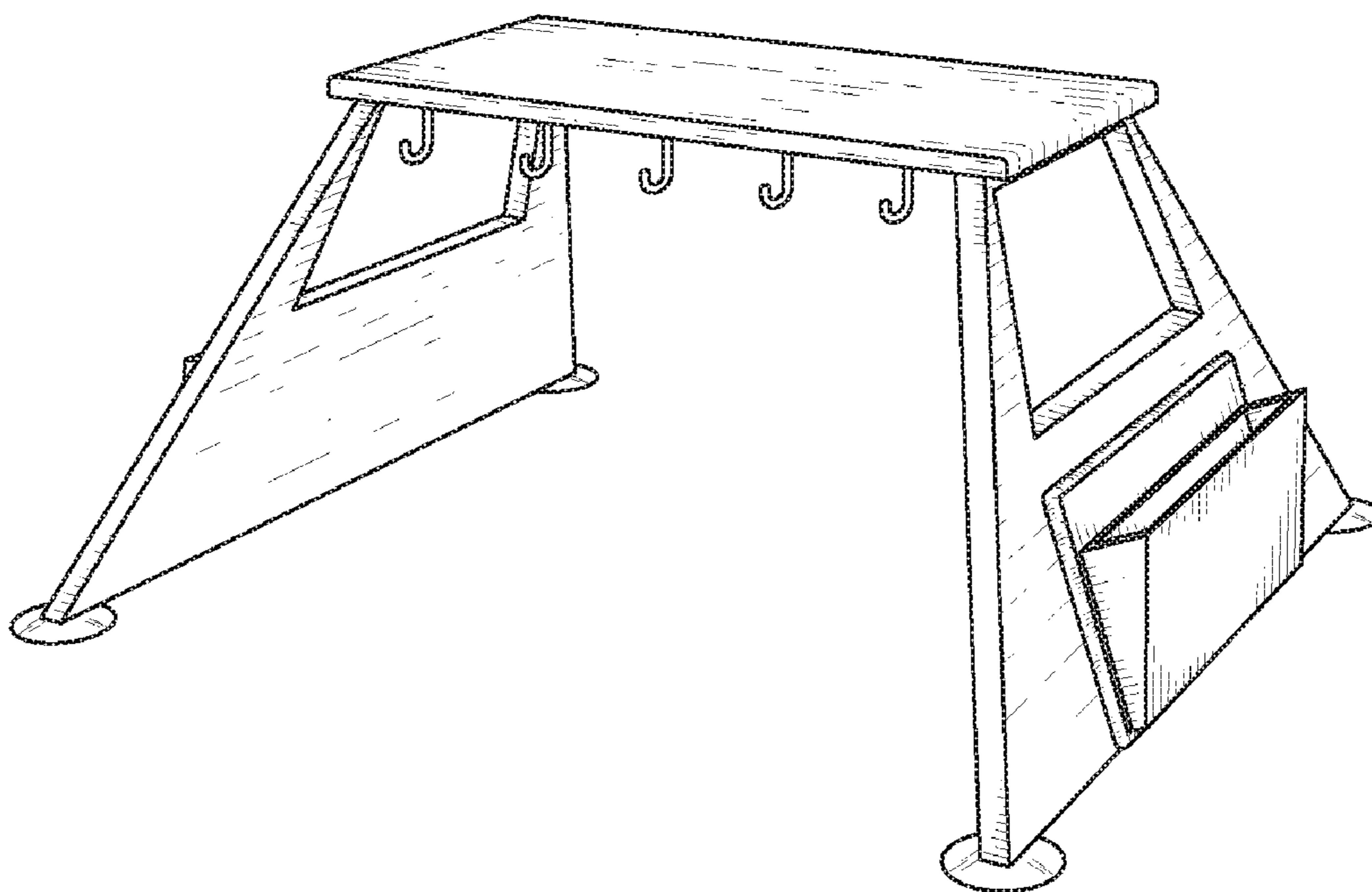
FIG. 8 is a bottom view of the clipper organizer.

**1 Claim, 5 Drawing Sheets**

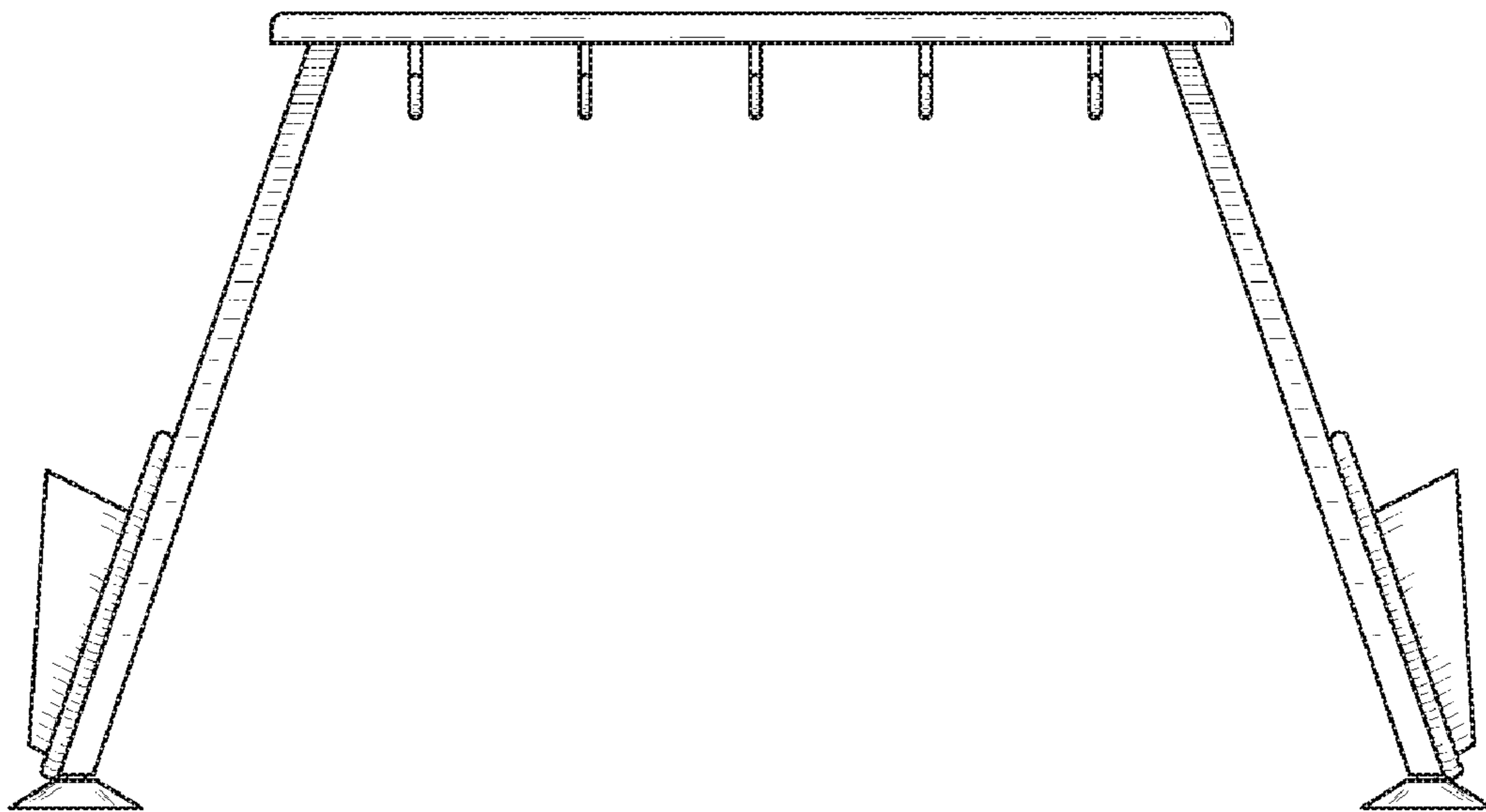




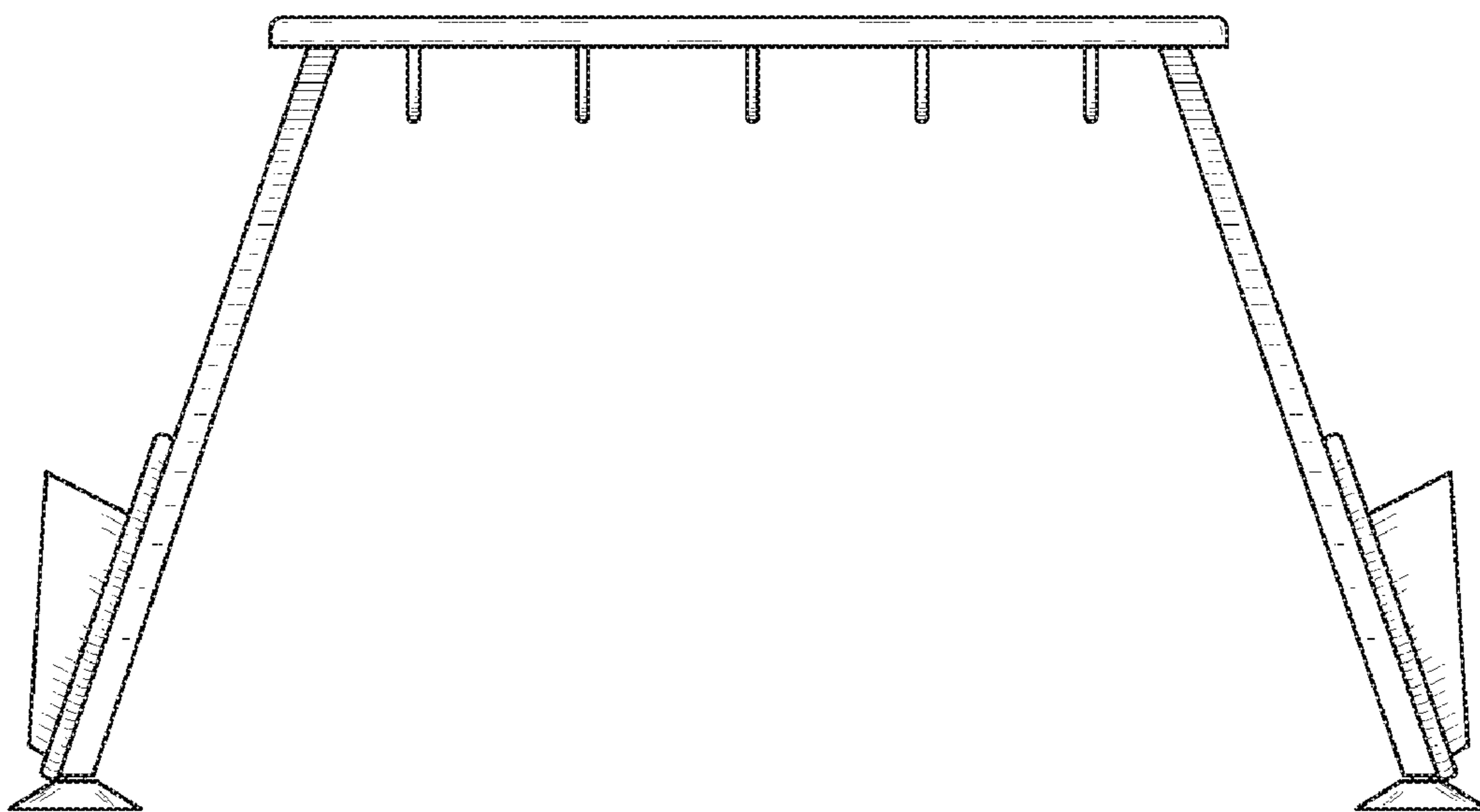
**FIG. 1**



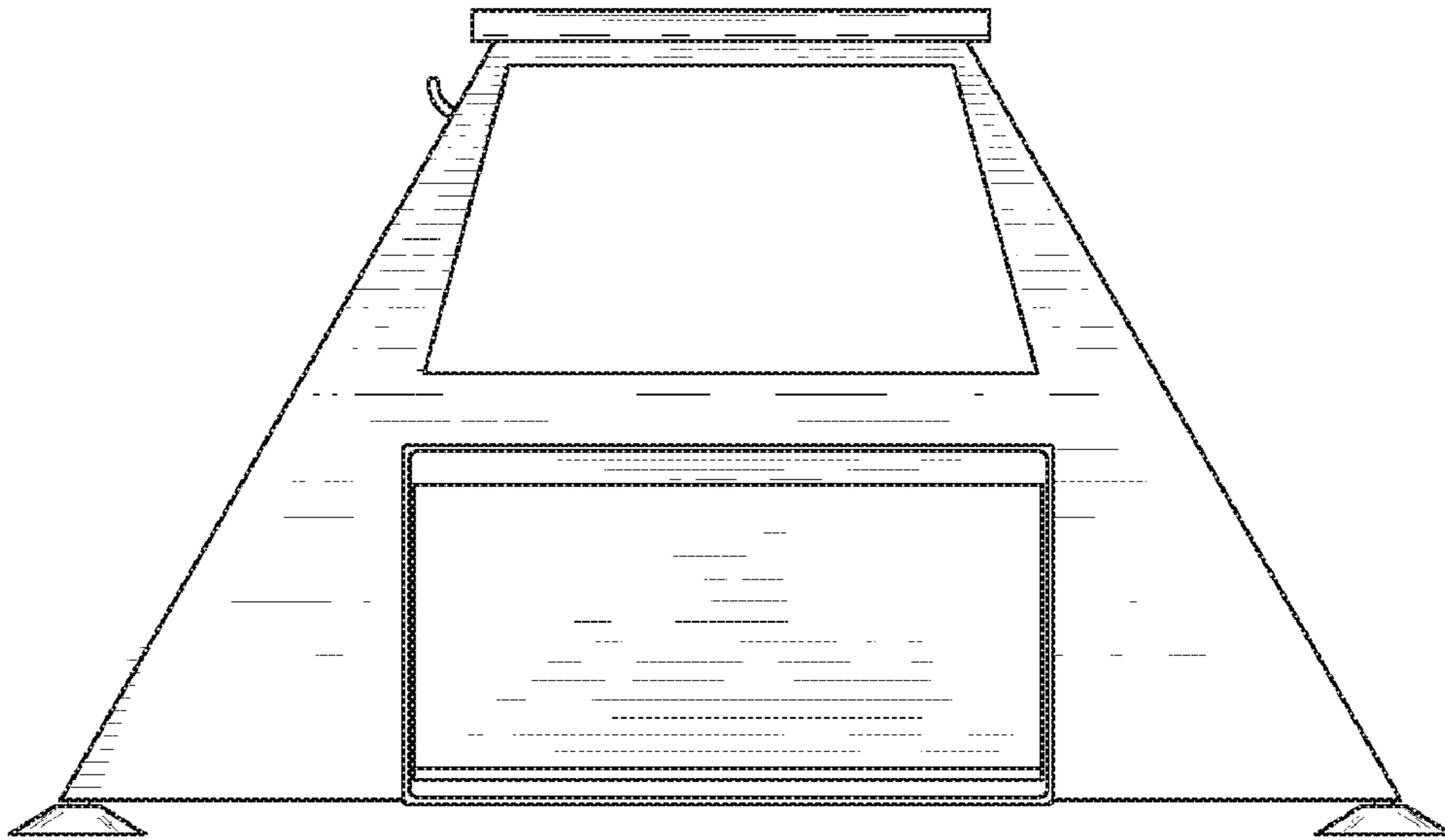
**FIG. 2**



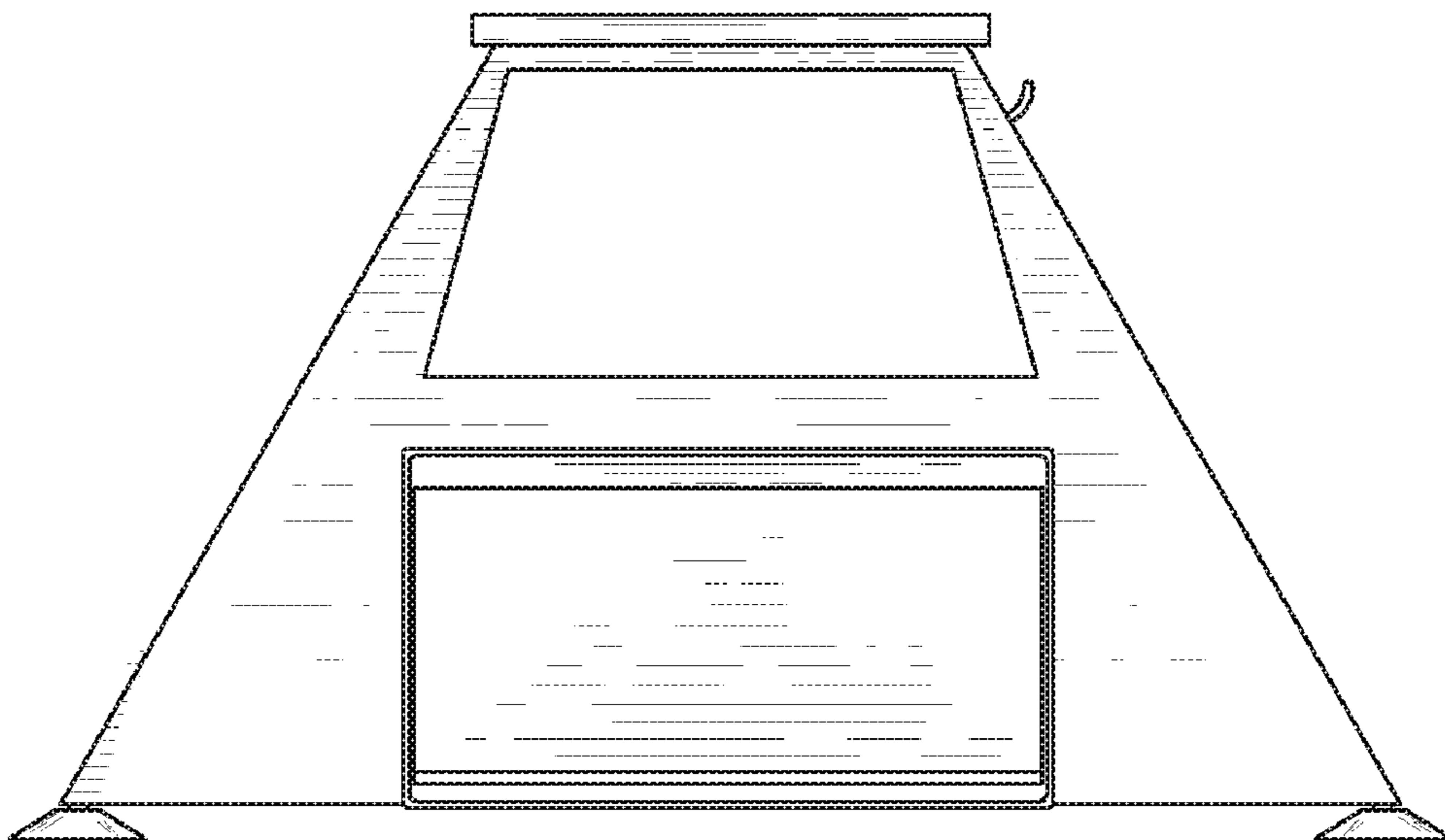
**FIG. 3**



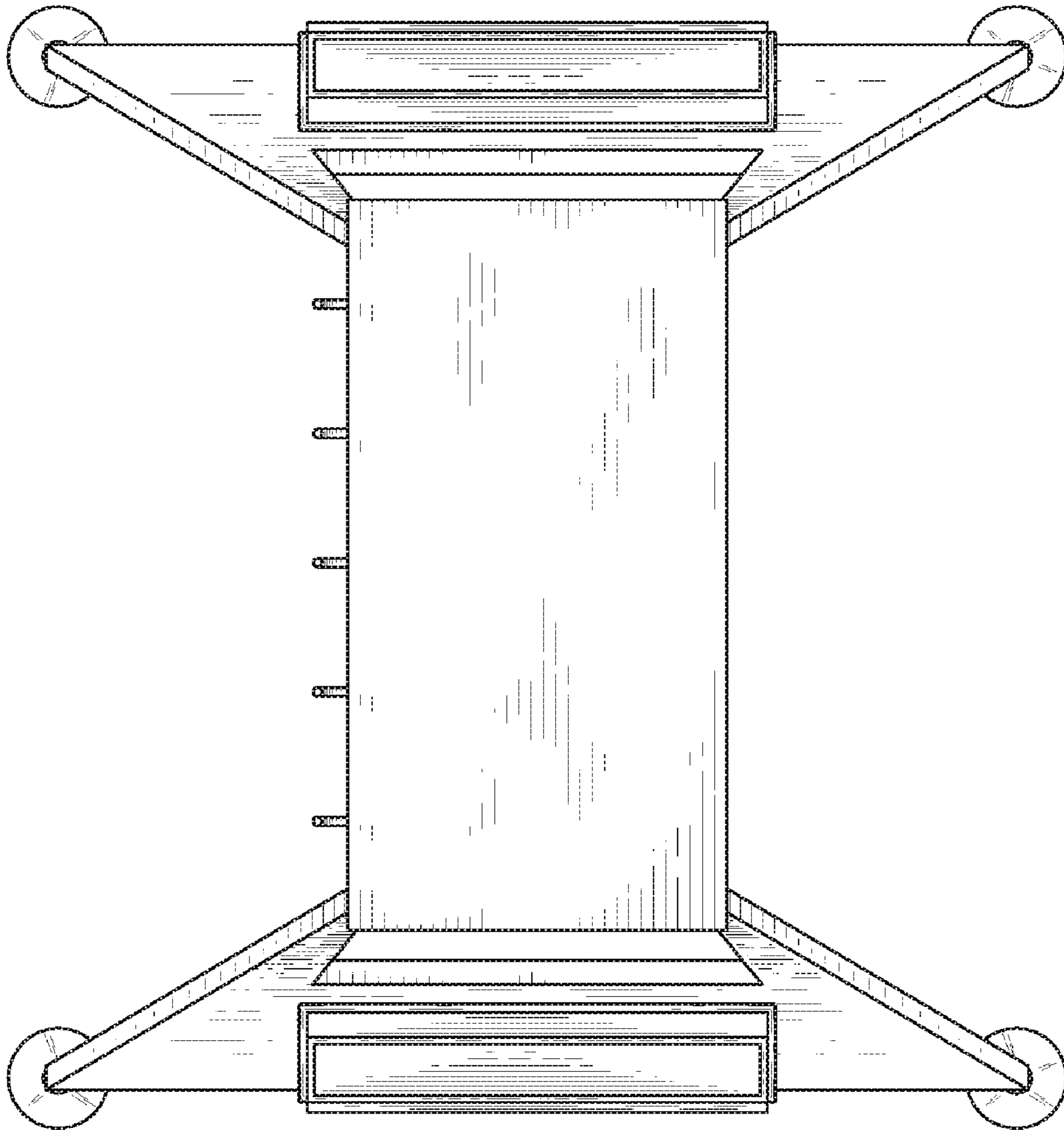
**FIG. 4**



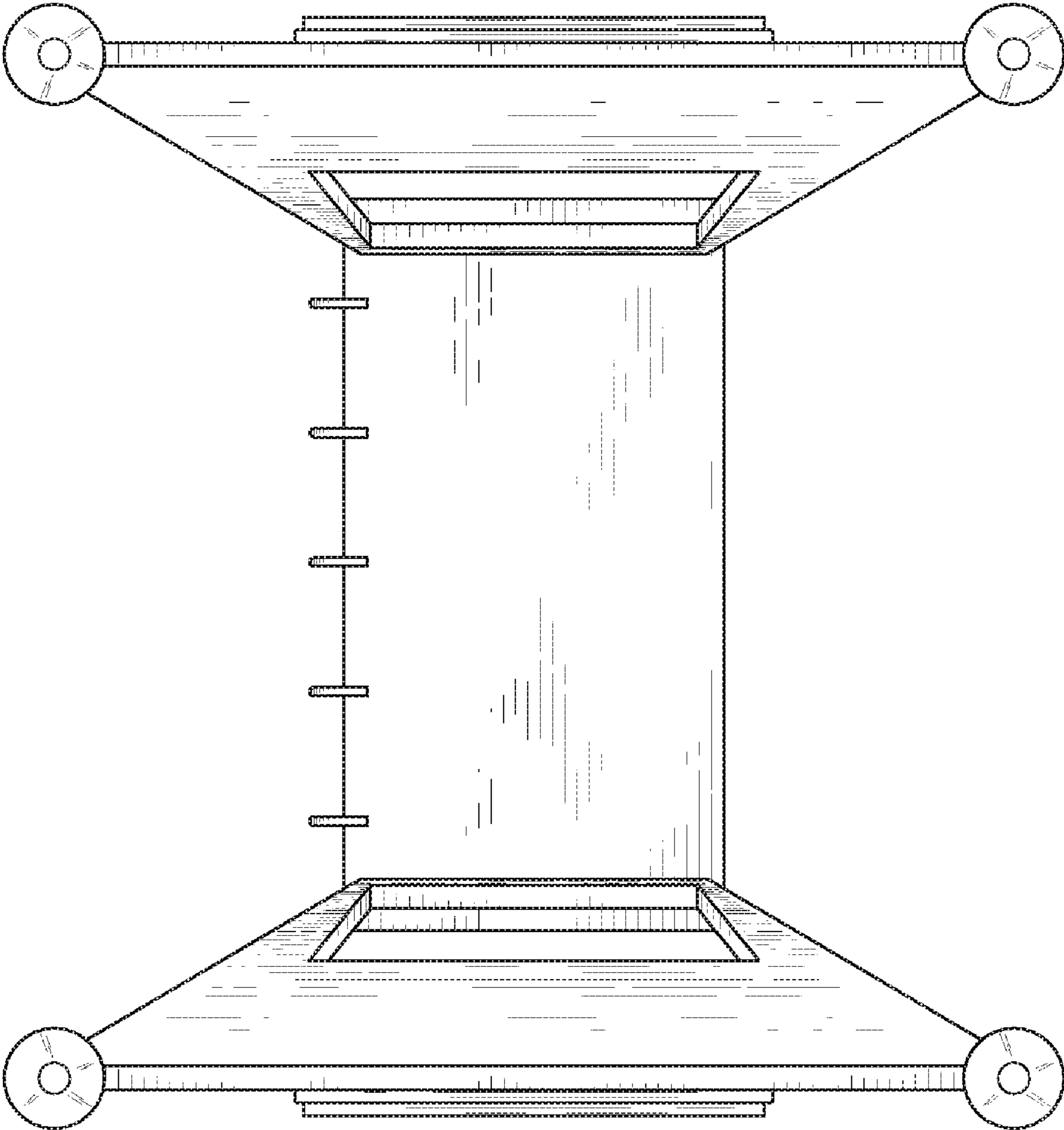
**FIG. 5**



**FIG. 6**



**FIG. 7**



**FIG. 8**