



US00D608944S

(12) **United States Design Patent**
Gutfleisch et al.

(10) **Patent No.:** **US D608,944 S**
(45) **Date of Patent:** **** Jan. 26, 2010**

(54) **SOAP BAR**

(75) Inventors: **Harald Karl Gutfleisch**, Mannheim (DE); **Nicholas Charles Talbot**, London (GB); **Jeremy Steven White**, London (GB)

(73) Assignee: **Conopco, Inc.**, Englewood Cliffs, NJ (US)

(**) Term: **14 Years**

(21) Appl. No.: **29/334,033**

(22) Filed: **Mar. 19, 2009**

(30) **Foreign Application Priority Data**

Sep. 19, 2008 (GB) 4008975

(51) **LOC (9) Cl.** **28-03**

(52) **U.S. Cl.** **D28/8.1**

(58) **Field of Classification Search** D28/4,
D28/8.1-8.2; 510/133, 141-142, 146-148,
510/440-442, 298, 447-450

See application file for complete search history.

(56) **References Cited**

U.S. PATENT DOCUMENTS

D46,508 S * 10/1914 McDougal D28/8.1
D143,058 S * 12/1945 Casalino D28/78
D356,474 S * 3/1995 Chow D28/8.1

D451,243 S * 11/2001 Katz et al. D28/8.1
D485,943 S * 1/2004 Wong et al. D28/8.1
6,673,756 B2 * 1/2004 Sonnenberg et al. 510/141
D503,015 S * 3/2005 Mayers D28/8.1
D520,186 S * 5/2006 Caroen et al. D28/8.1
D569,036 S * 5/2008 Gutfleisch et al. D28/8.1
2002/0173436 A1 * 11/2002 Sonnenberg et al. 510/141
2004/0248751 A1 * 12/2004 Johnson et al. 510/141

OTHER PUBLICATIONS

Irish Spring toilet bar on sale prior to Sep. 19, 2008.

* cited by examiner

Primary Examiner—Jennifer Rivard

(74) *Attorney, Agent, or Firm*—Alan A. Bornstein

(57) **CLAIM**

The ornamental design for a soap bar, as shown and described.

DESCRIPTION

FIG. 1 is a perspective view of a our new design;

FIG. 2 is a top plan view thereof;

FIG. 3 is a bottom plan view thereof;

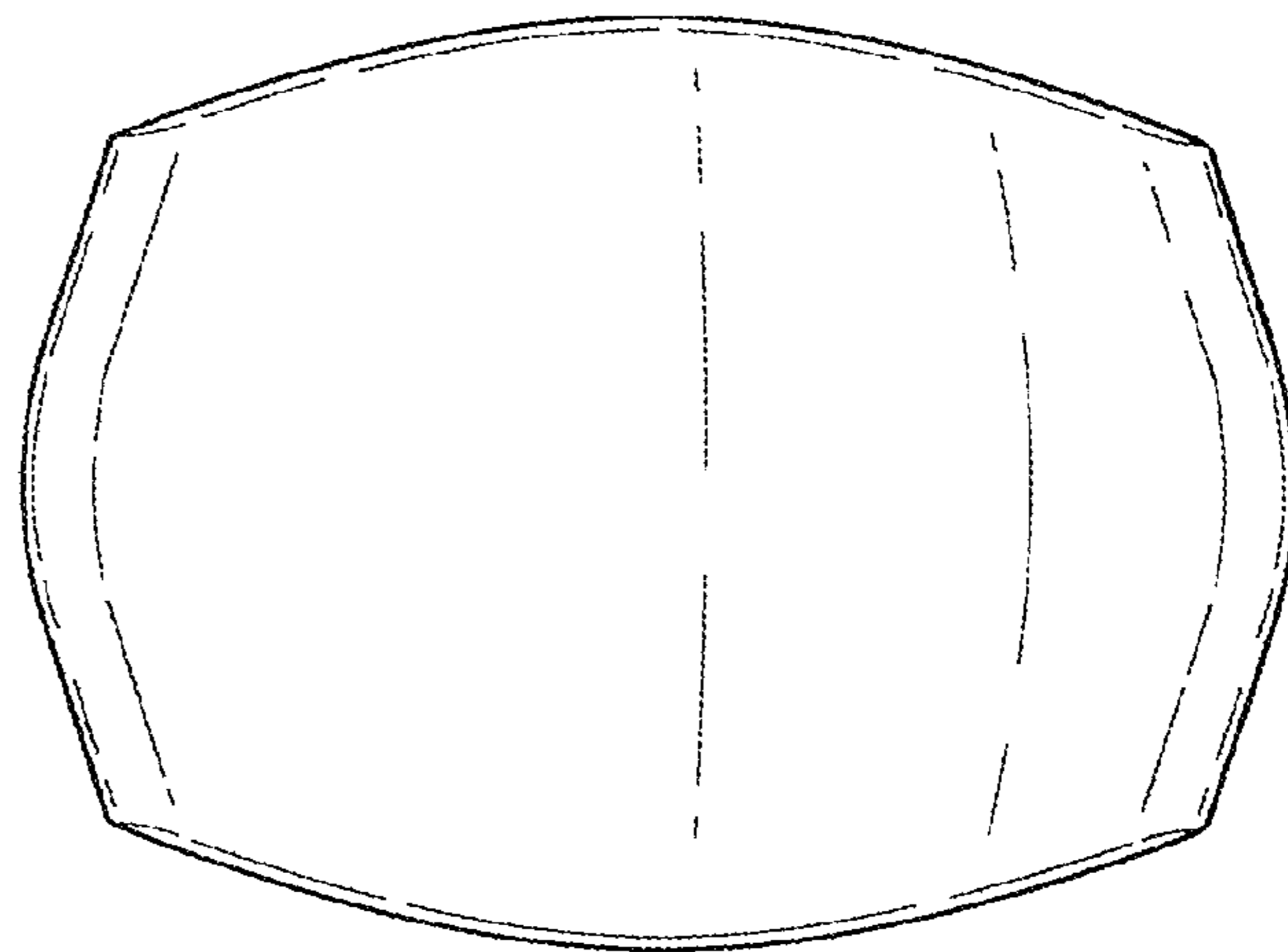
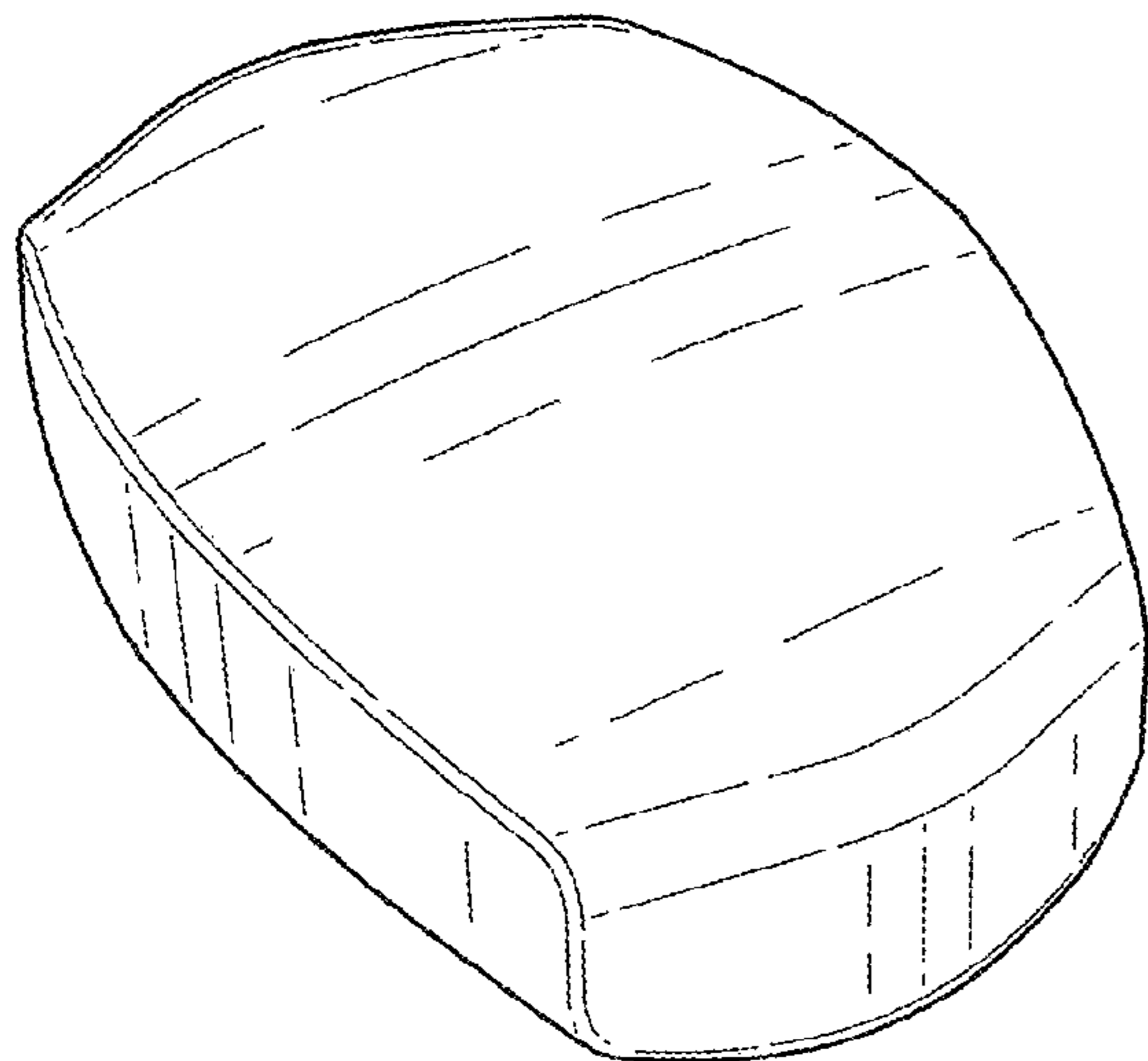
FIG. 4 is a left side elevational view thereof;

FIG. 5 is a right side elevational view thereof;

FIG. 6 is a left end view thereof; and,

FIG. 7 is a right end view thereof.

1 Claim, 3 Drawing Sheets



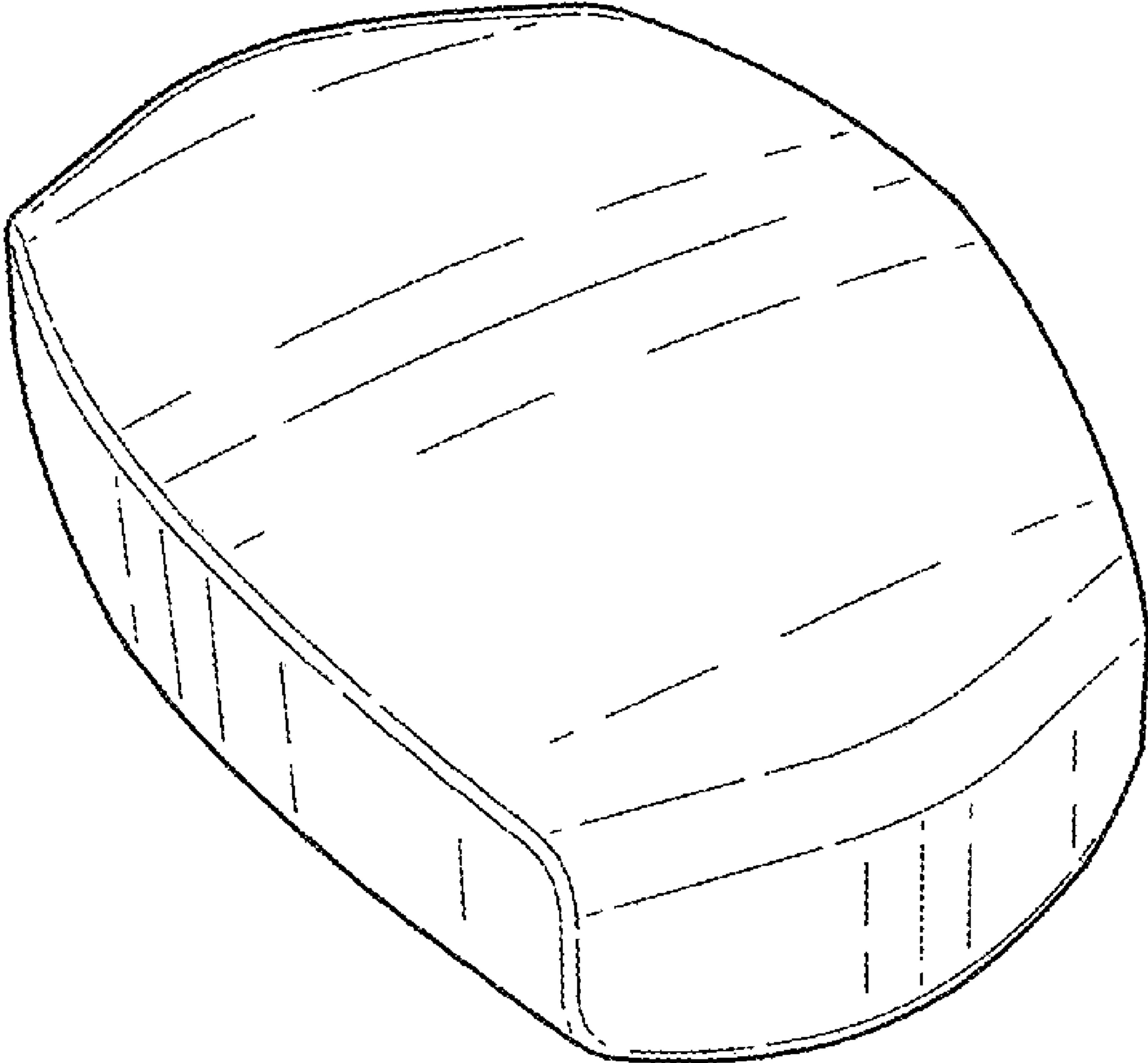


Fig.1.

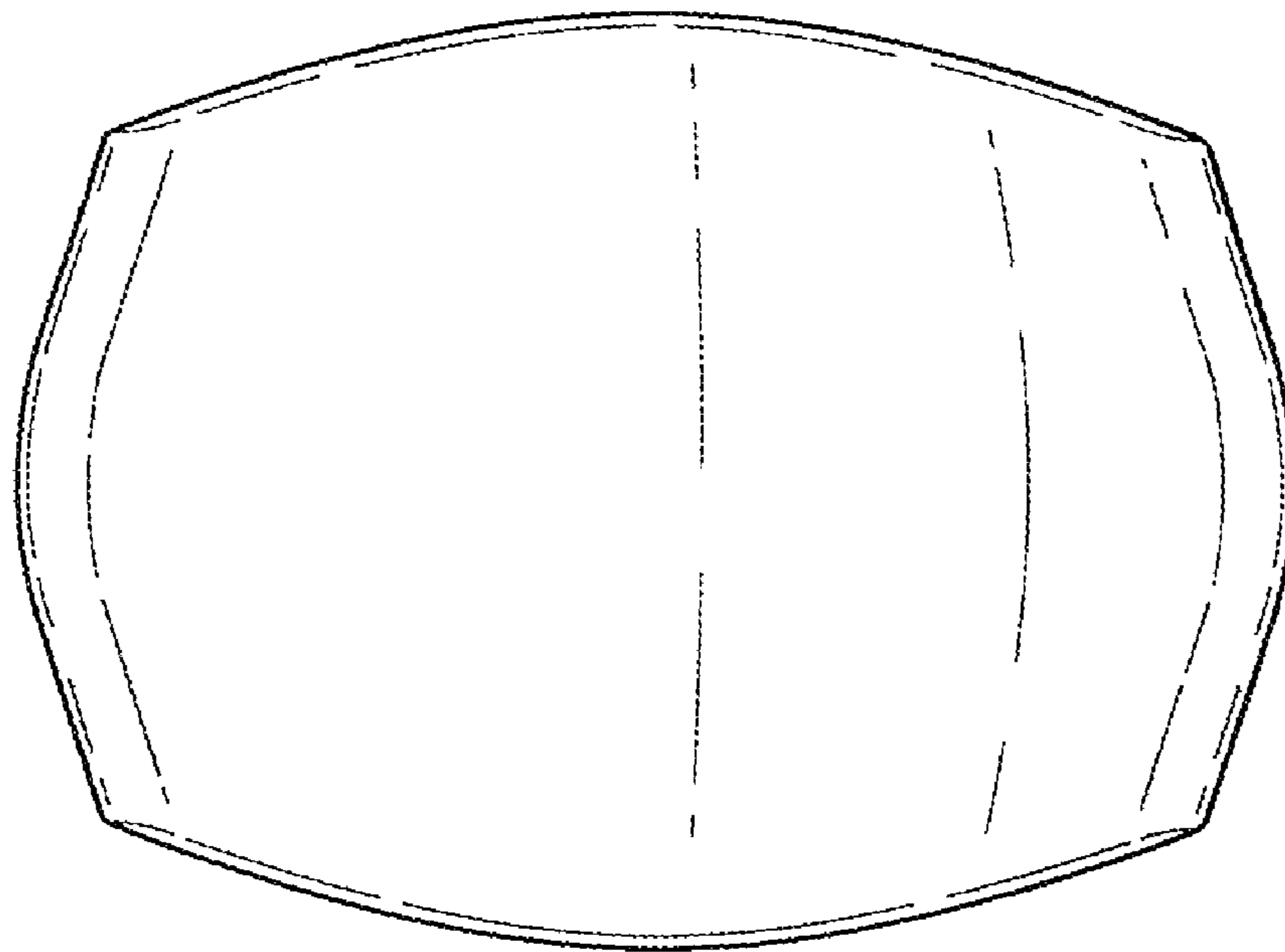


Fig.2.

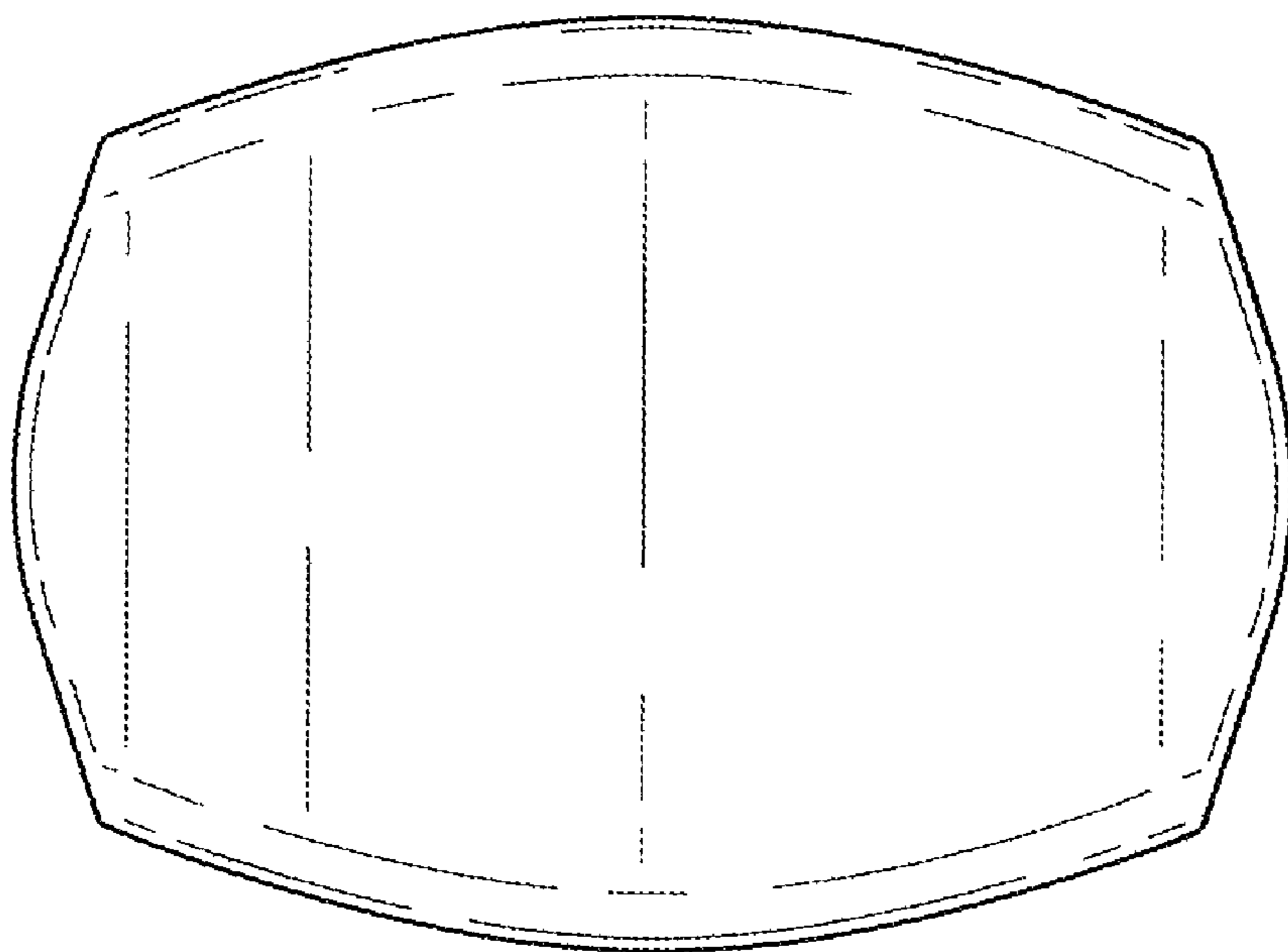


Fig.3.

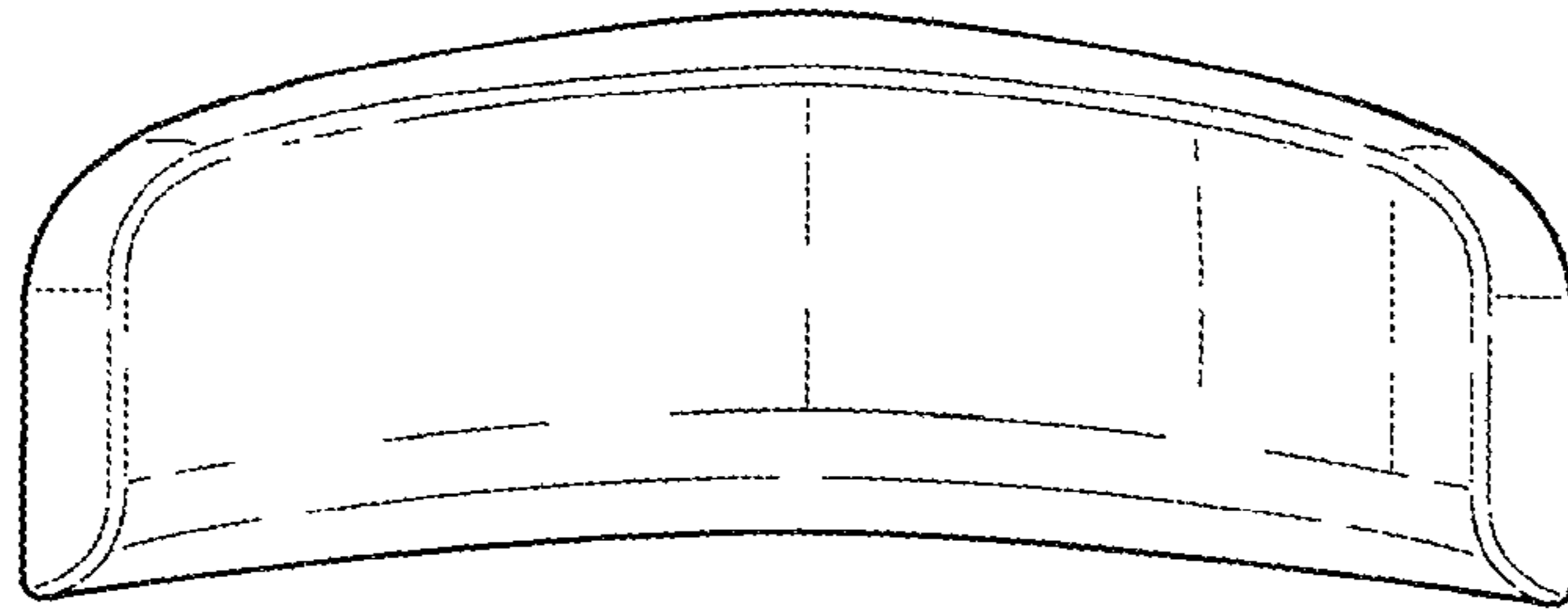


Fig.4.

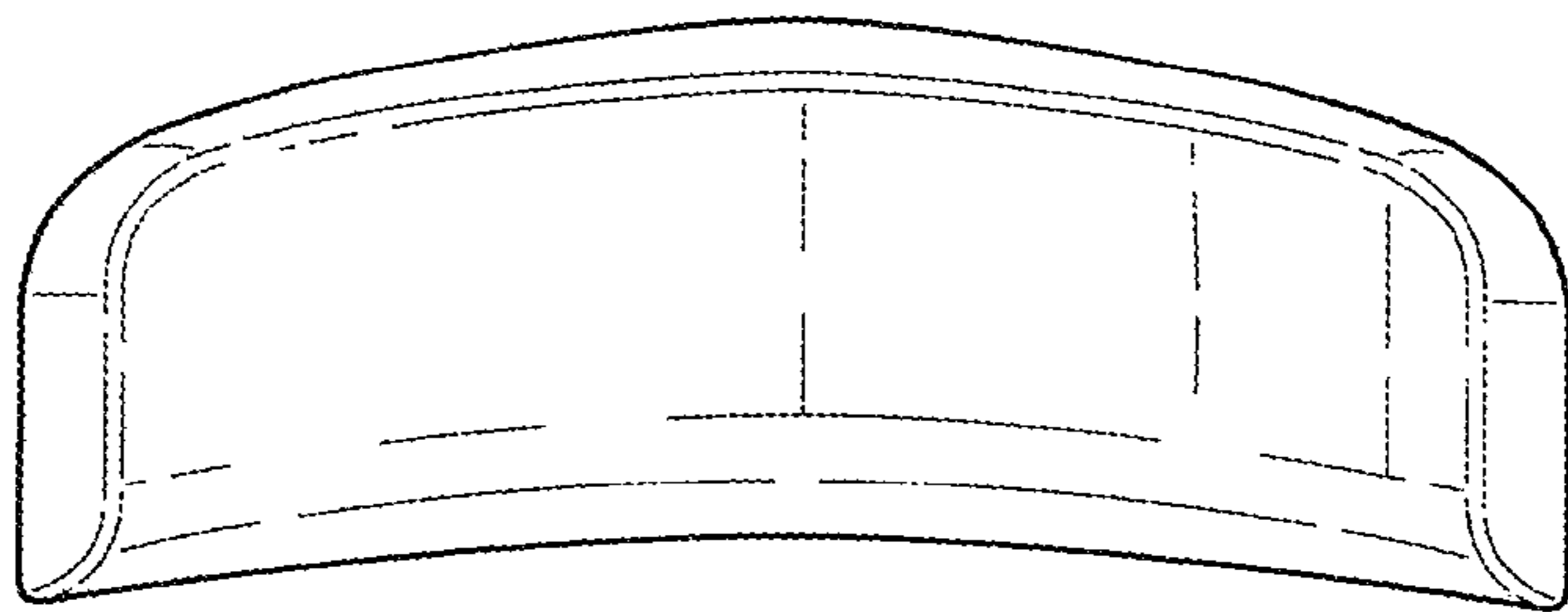


Fig.5.

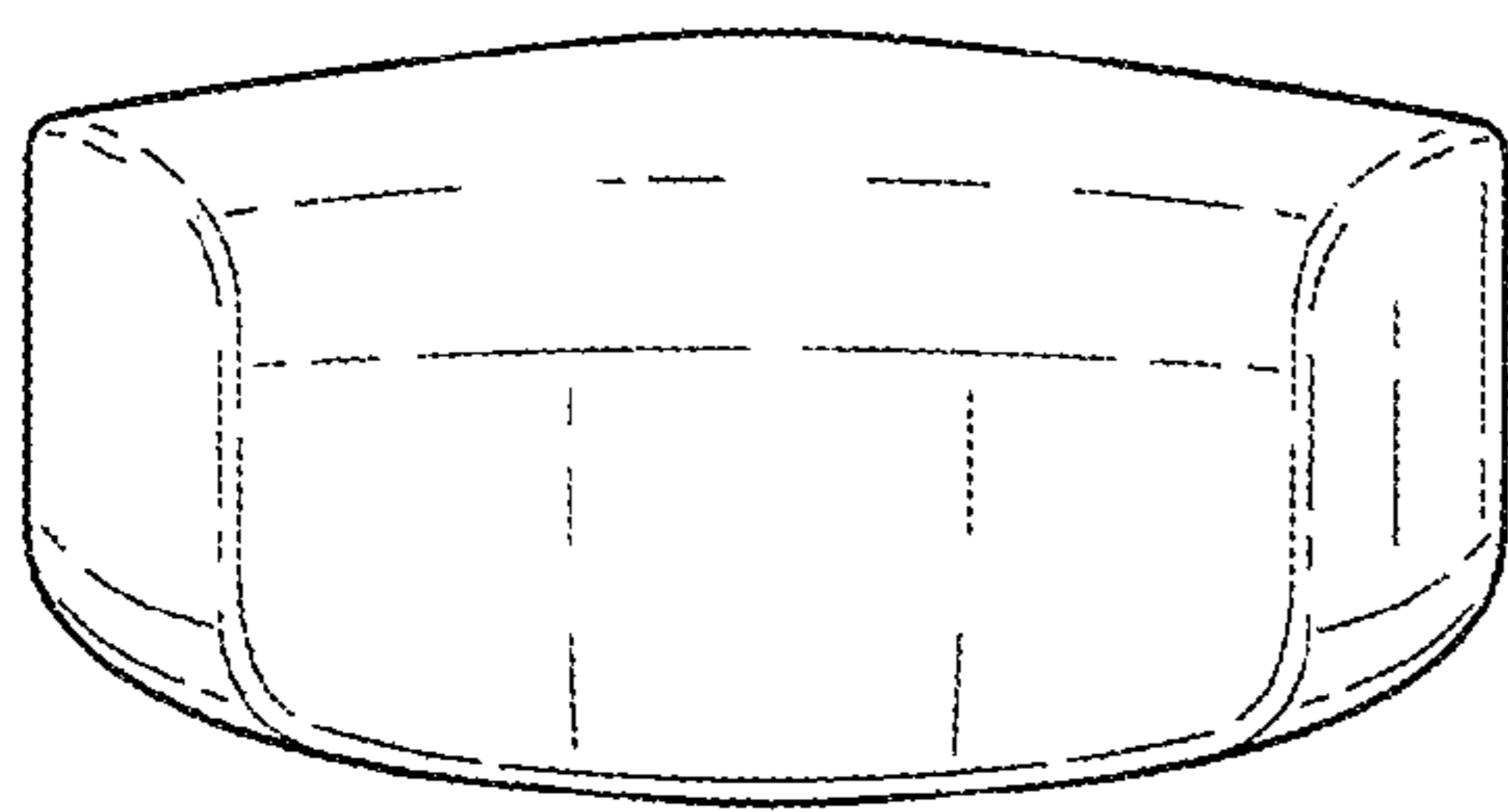


Fig.6.

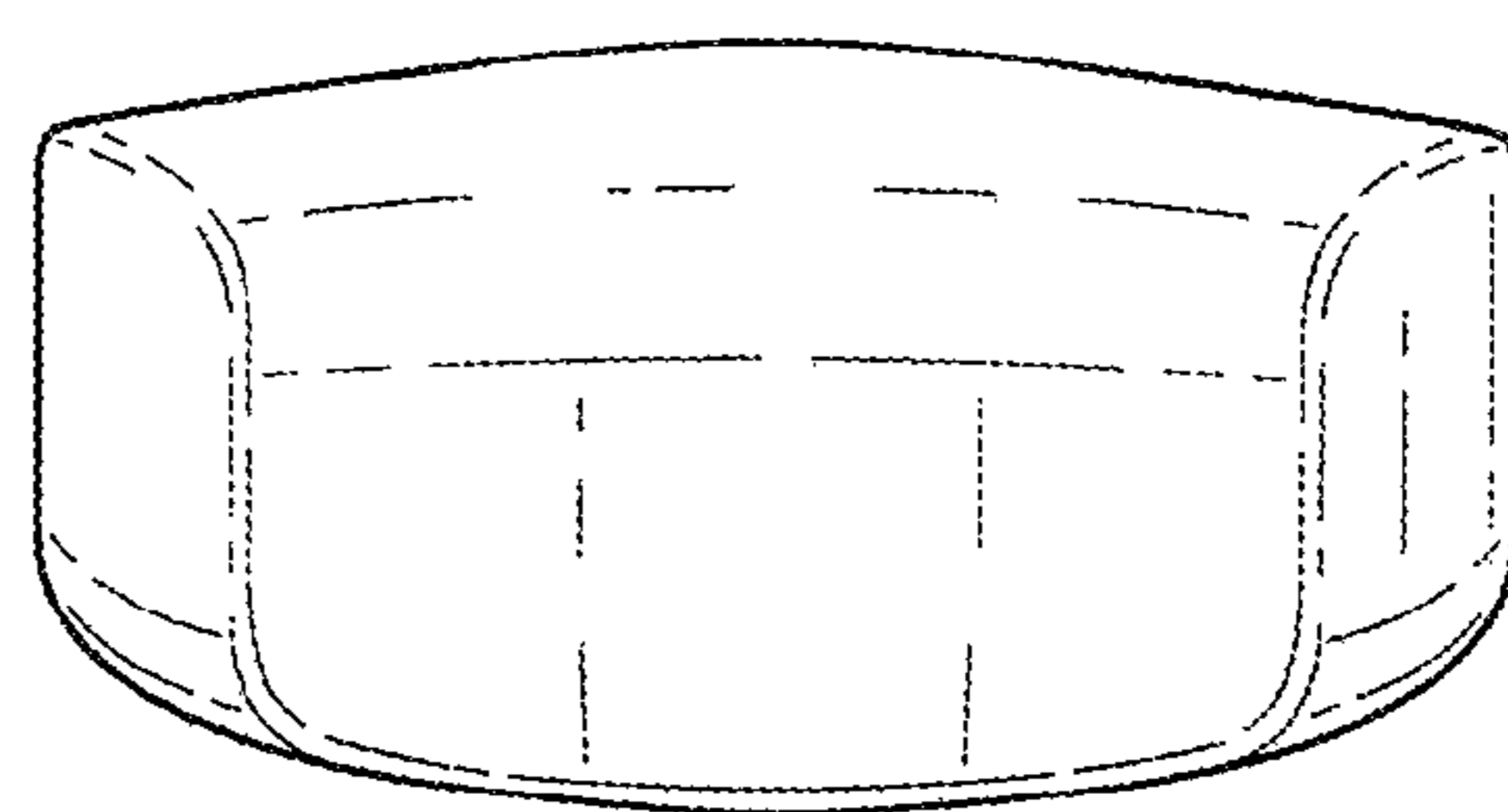


Fig.7.