



US00D608938S

(12) **United States Design Patent**
Schmitt et al.

(10) **Patent No.:** **US D608,938 S**
(45) **Date of Patent:** **** Jan. 26, 2010**

(54) **LAMP BASE WITH TRANSLUCENT LIGHT GUIDE**

(75) Inventors: **Robert Schmitt**, Nottingham, NH (US);
Hongbiao Hou, Xiamen (CN)

(73) Assignee: **OSRAM SYLVANIA Inc.**, Danvers, MA (US)

(**) Term: **14 Years**

(21) Appl. No.: **29/316,220**

(22) Filed: **Sep. 3, 2009**

(51) **LOC (9) Cl.** **26-99**

(52) **U.S. Cl.** **D26/149**

(58) **Field of Classification Search** D26/109,
D26/65, 141, 63, 123, 142, 118, 76, 85, 60,
D26/61, 62, 64, 66, 72, 93, 103, 113, 119,
D26/122, 124, 87, 128, 129, 138, 140, 145,
D26/149, 155, 74; D13/134; 362/511, 373,
362/606, 607, 277, 282, 285, 287, 410

See application file for complete search history.

(56) **References Cited**

U.S. PATENT DOCUMENTS

- D217,638 S * 5/1970 Etobicoke D26/123
- D228,792 S * 10/1973 Conrad D26/123
- 4,914,553 A 4/1990 Hamada et al.
- D468,051 S * 12/2002 Gaskins et al. D26/123
- 6,509,840 B2 1/2003 Martineau
- 6,530,683 B1 3/2003 Ohkohdo et al.
- 6,582,095 B1 6/2003 Toyoda
- 6,641,283 B1 11/2003 Bohler
- 6,670,207 B1 12/2003 Roberts
- D509,016 S * 8/2005 Benghozi D26/74
- D509,314 S * 9/2005 Rashidi D26/74
- 7,025,482 B2 * 4/2006 Yamashita et al. 362/511
- 7,071,616 B2 7/2006 Shimizu et al.
- 7,172,314 B2 2/2007 Currie et al.
- 7,223,004 B2 5/2007 Chen et al.
- 7,273,311 B2 9/2007 Yu
- 7,278,749 B2 10/2007 Sullivan
- 7,357,525 B2 4/2008 Doyle

- 2004/0037087 A1 2/2004 Desai
- 2006/0034099 A1 2/2006 Yang et al.
- 2006/0044834 A1 3/2006 Yu
- 2007/0058359 A1 3/2007 Saitoh et al.
- 2007/0097709 A1 5/2007 Hsieh
- 2007/0115674 A1 5/2007 Tessnow
- 2007/0127267 A1 6/2007 Chen
- 2007/0152977 A1 7/2007 Ng et al.
- 2008/0002388 A1 1/2008 Sullivan
- 2008/0094853 A1 4/2008 Kim et al.

FOREIGN PATENT DOCUMENTS

JP 2008-084619 4/2008

OTHER PUBLICATIONS

Patent Abstracts of Japan, Publication No. 2008-084619, Publication Date: Apr. 10, 2008.

Abstract and Machine Translation, Publication No. 2008-084619, Publication Date: Apr. 10, 2008.

* cited by examiner

Primary Examiner—Cathron C Brooks

Assistant Examiner—Kevin K Rudzinski

(74) *Attorney, Agent, or Firm*—Edward S. Podszus

(57) **CLAIM**

The ornamental design for a lamp base with translucent light guide, as shown and described.

DESCRIPTION

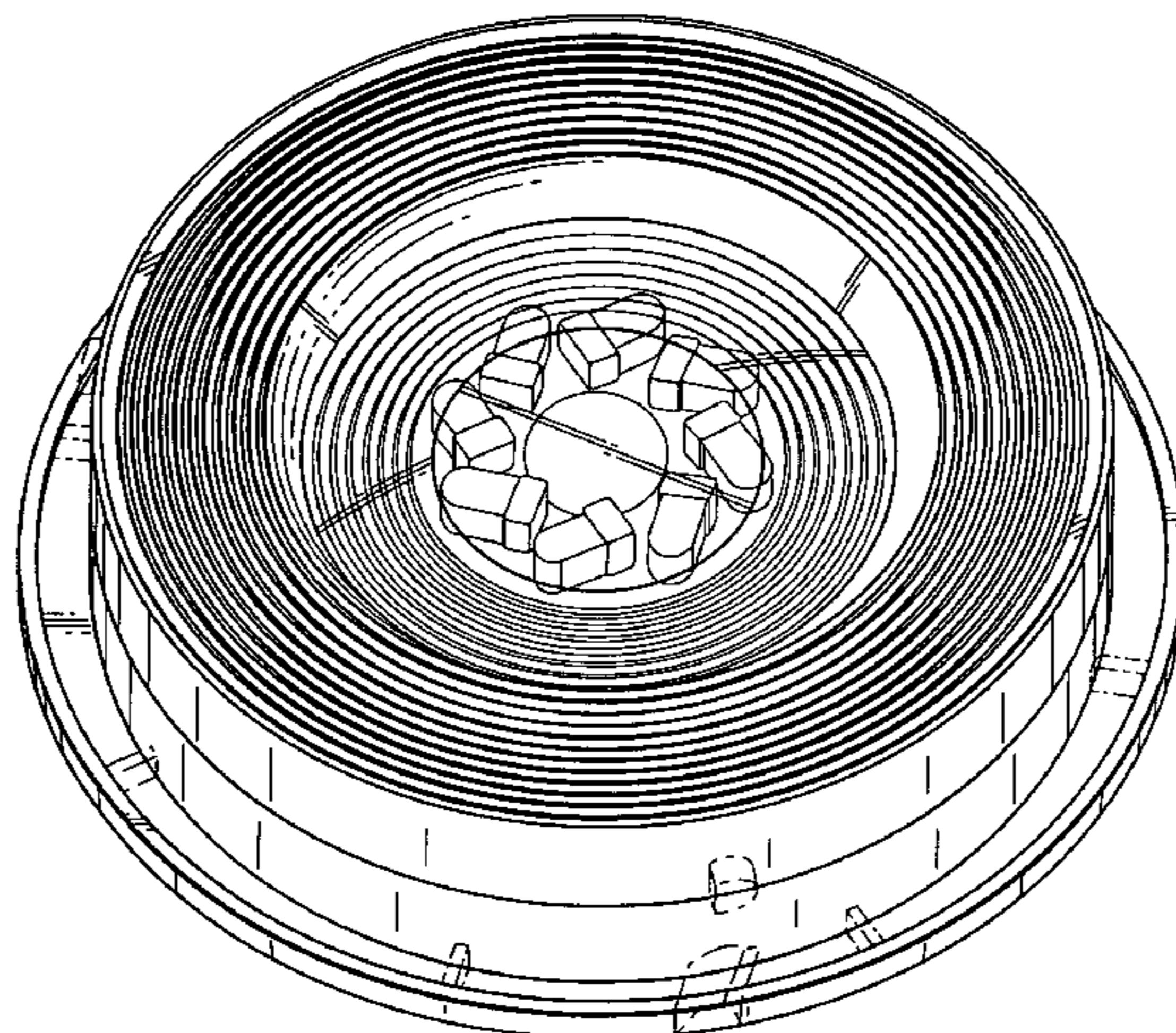
FIG. 1 is a perspective view of the new design for a lamp base with translucent light guide as seen from the top;

FIG. 2 is a top plan view; and,

FIG. 3 is a side elevational view.

The broken line disclosure is for environmental purposes only and does not form a part of the claimed design.

1 Claim, 2 Drawing Sheets



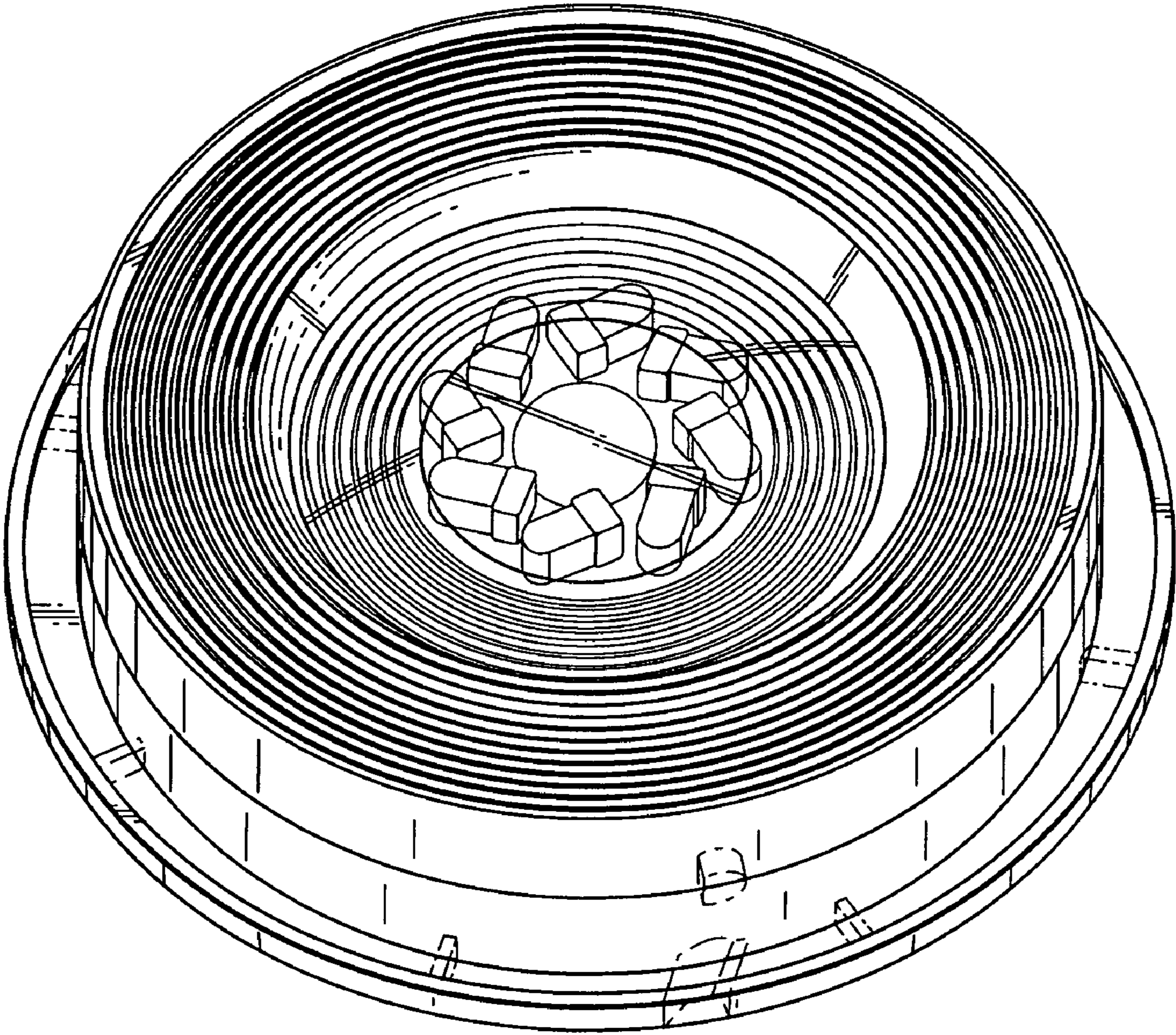


FIG. 1

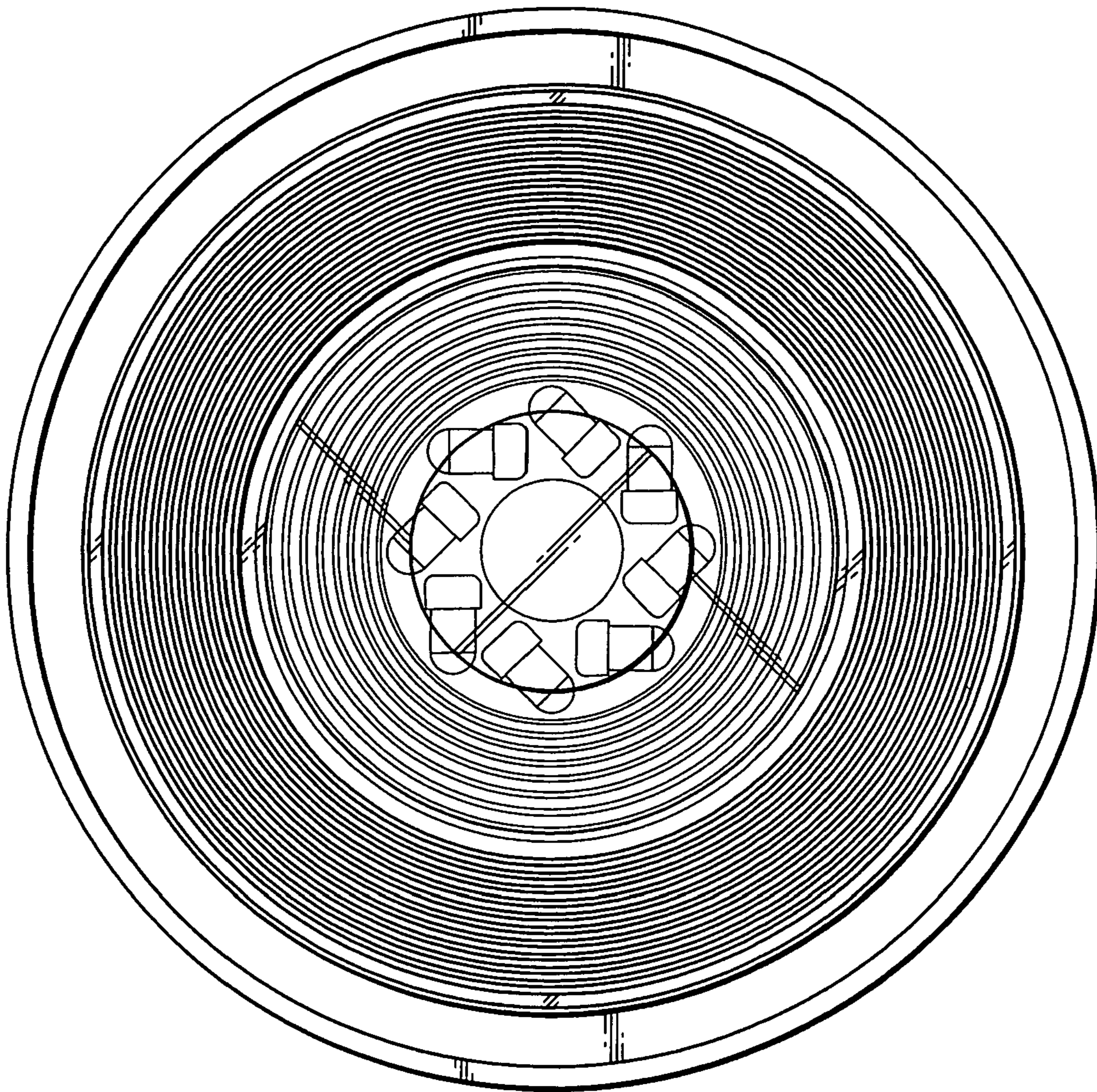


FIG. 2

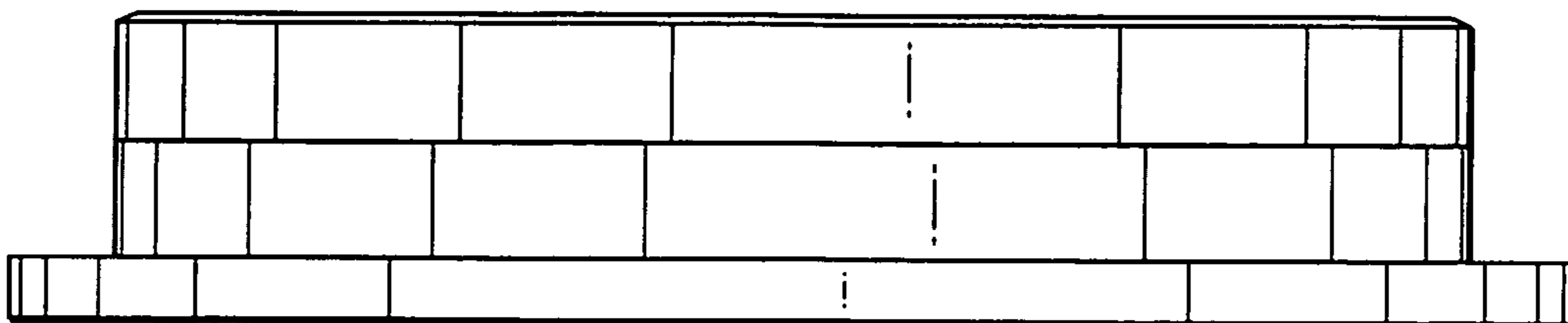


FIG. 3