



US00D608934S

(12) **United States Design Patent**
Sabernig

(10) **Patent No.:** **US D608,934 S**

(45) **Date of Patent:** **** *Jan. 26, 2010**

(54) **LIGHT FIXTURE**

(75) Inventor: **Robert Sabernig**, Munster (AT)

(73) Assignee: **EGLO Leuchten GmbH**, Innsbruck (AT)

(*) Notice: This patent is subject to a terminal disclaimer.

(**) Term: **14 Years**

(21) Appl. No.: **29/328,205**

(22) Filed: **Nov. 20, 2008**

(51) **LOC (9) Cl.** **26-03**

(52) **U.S. Cl.** **D26/84; D26/86; D26/90**

(58) **Field of Classification Search** D26/75,
D26/76, 79, 81, 83, 84, 85, 88-91, 118; 362/147,
362/404-408

See application file for complete search history.

(56) **References Cited**

U.S. PATENT DOCUMENTS

D472,008 S *	3/2003	Gulassa et al.	D26/90
D536,468 S *	2/2007	Crosby	D26/84
D578,701 S *	10/2008	Schuyler et al.	D26/81
D580,088 S *	11/2008	Orozco	D26/81

OTHER PUBLICATIONS

“Fusion” mosaic glass pendants #528 shown on p. 305 of the E.L.K. Lighting 2009 catalog.*

“Waffle” #E20019-44 shown on p. 11 of the ET2 2007 Lighting Catalog—2nd Edition.*

“Stealth” #E20744-09 shown on p. 15; and “Blocs” #E22036-18 shown on p. 189 of the ET2 2007 Lighting Catalog—2nd Edition.*

“Hermes Aircraft Cable” pendant #AC-64016 by Access Lighting. Downloaded from arcadianlighting.com Feb. 27, 2009.*

Lite Source Inc.; Musoke Table Lamp; Model No. LS-20485; printed from Modern Lighting Universe Catalog on Feb. 19, 2009.

ET2 Lighting; Two-Light Table Lamp; Model No. E22502; printed from Modern Lighting Universe Catalog on Feb. 19, 2009.

* cited by examiner

Primary Examiner—Clare E Heflin

(74) *Attorney, Agent, or Firm*—Baker & McKenzie LLP

(57) **CLAIM**

The ornamental design for a light fixture, as shown and described.

DESCRIPTION

FIG. 1 is a perspective view of a light fixture in accordance with my design;

FIG. 2 is a front elevation view of the light fixture in accordance with my design, the opposite view being a mirror image of that shown;

FIG. 3 is a side elevation view of the light fixture in accordance with my design, the opposite view being a mirror image of that shown;

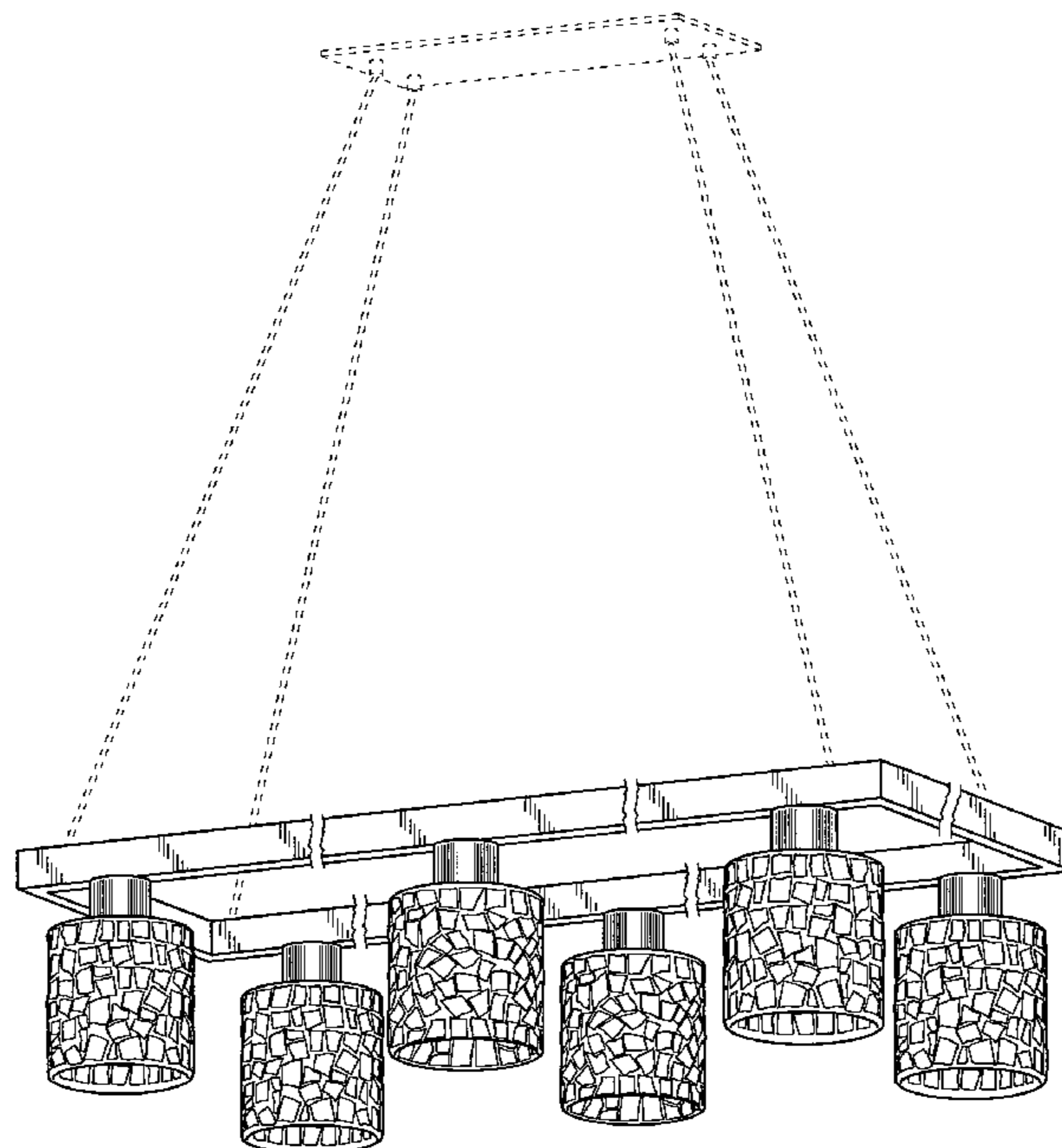
FIG. 4 is a top plan view of the light fixture in accordance with my design; and,

FIG. 5 is a bottom plan view of the light fixture in accordance with my design.

The light fixture of FIGS. 1-5 is shown with a portion broken away to indicate indeterminate length.

The broken lines showing environmental structure are for illustrative purposes only and form no part of the claimed design.

1 Claim, 3 Drawing Sheets



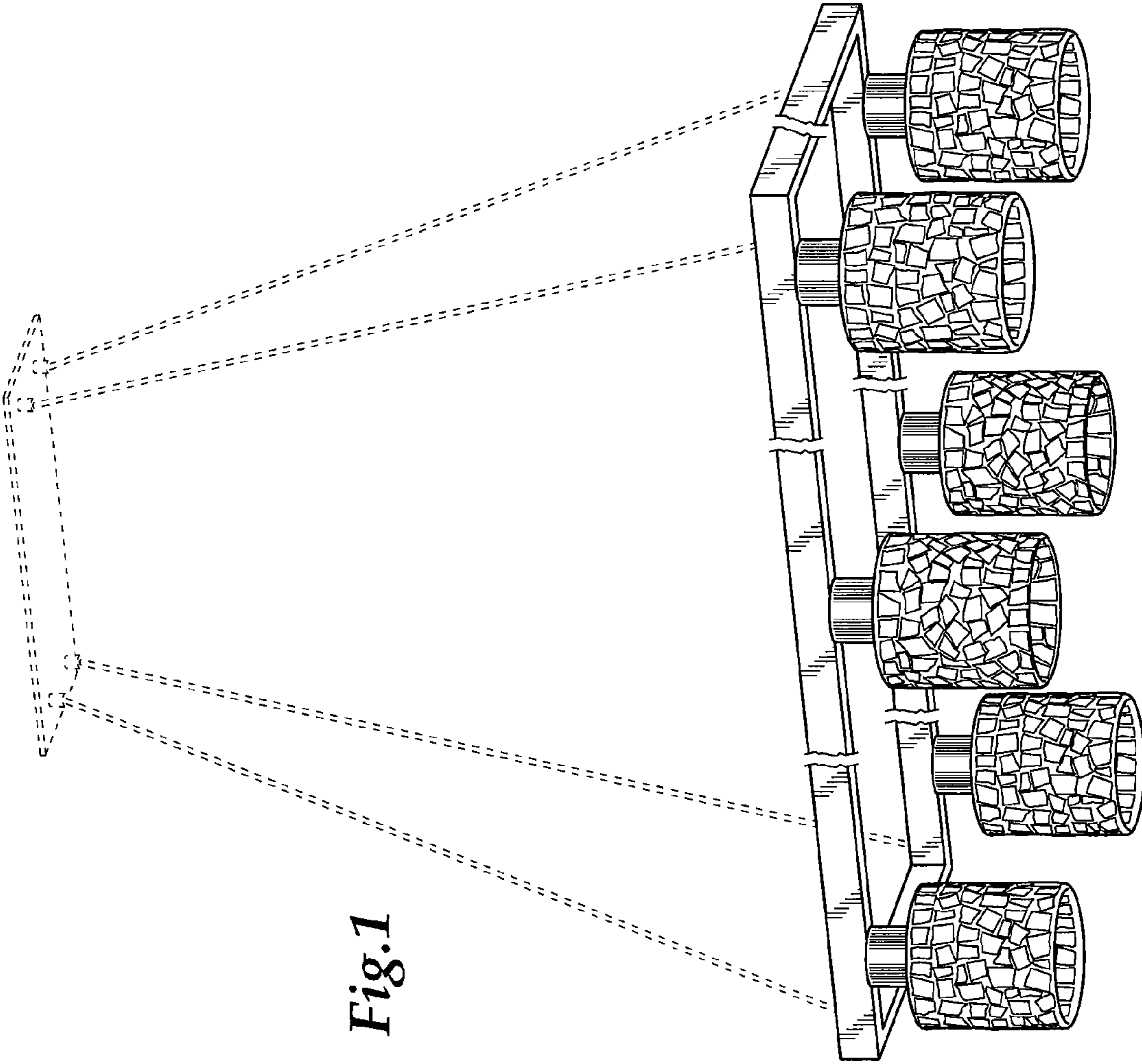


Fig.1

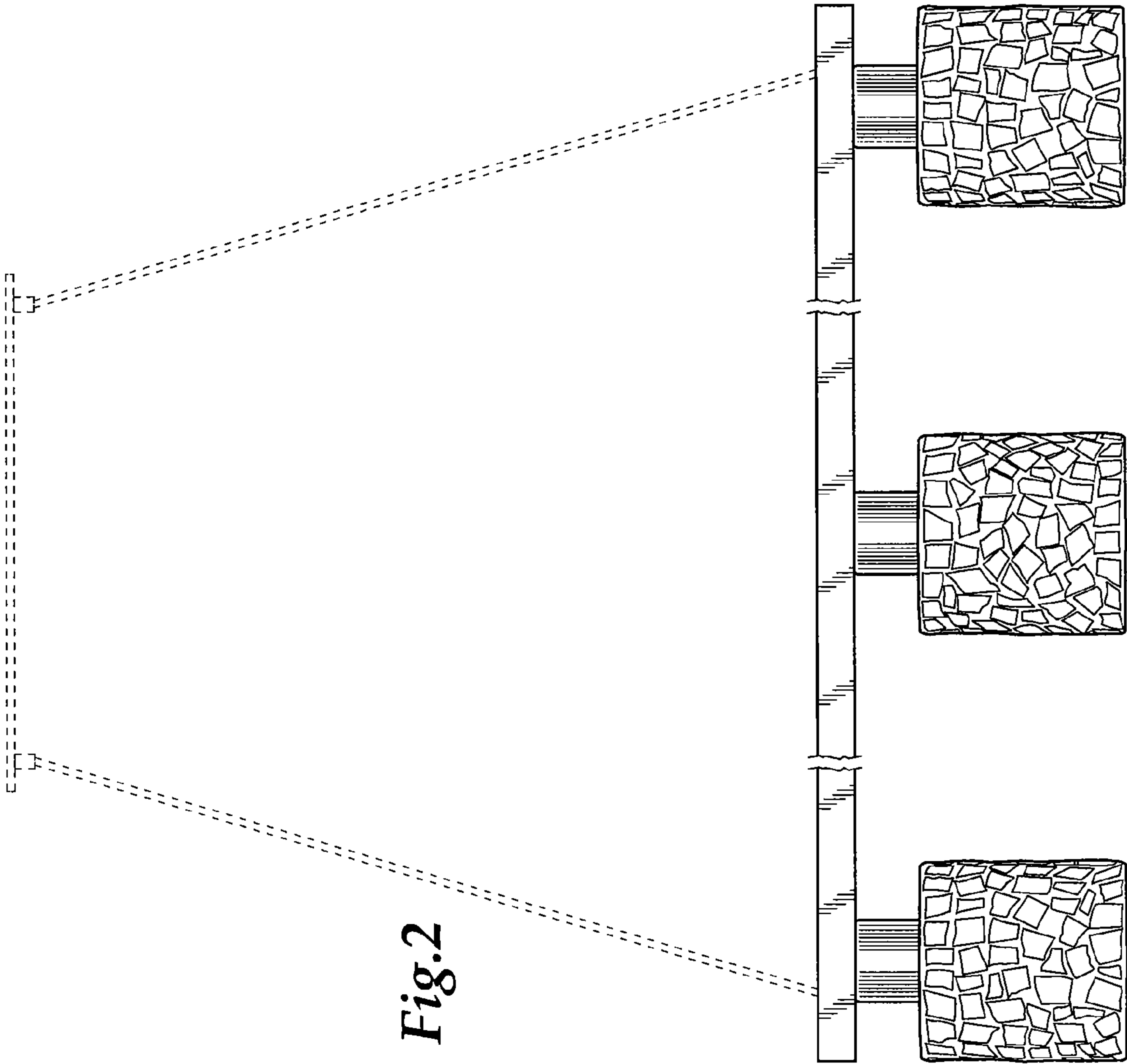


Fig.2

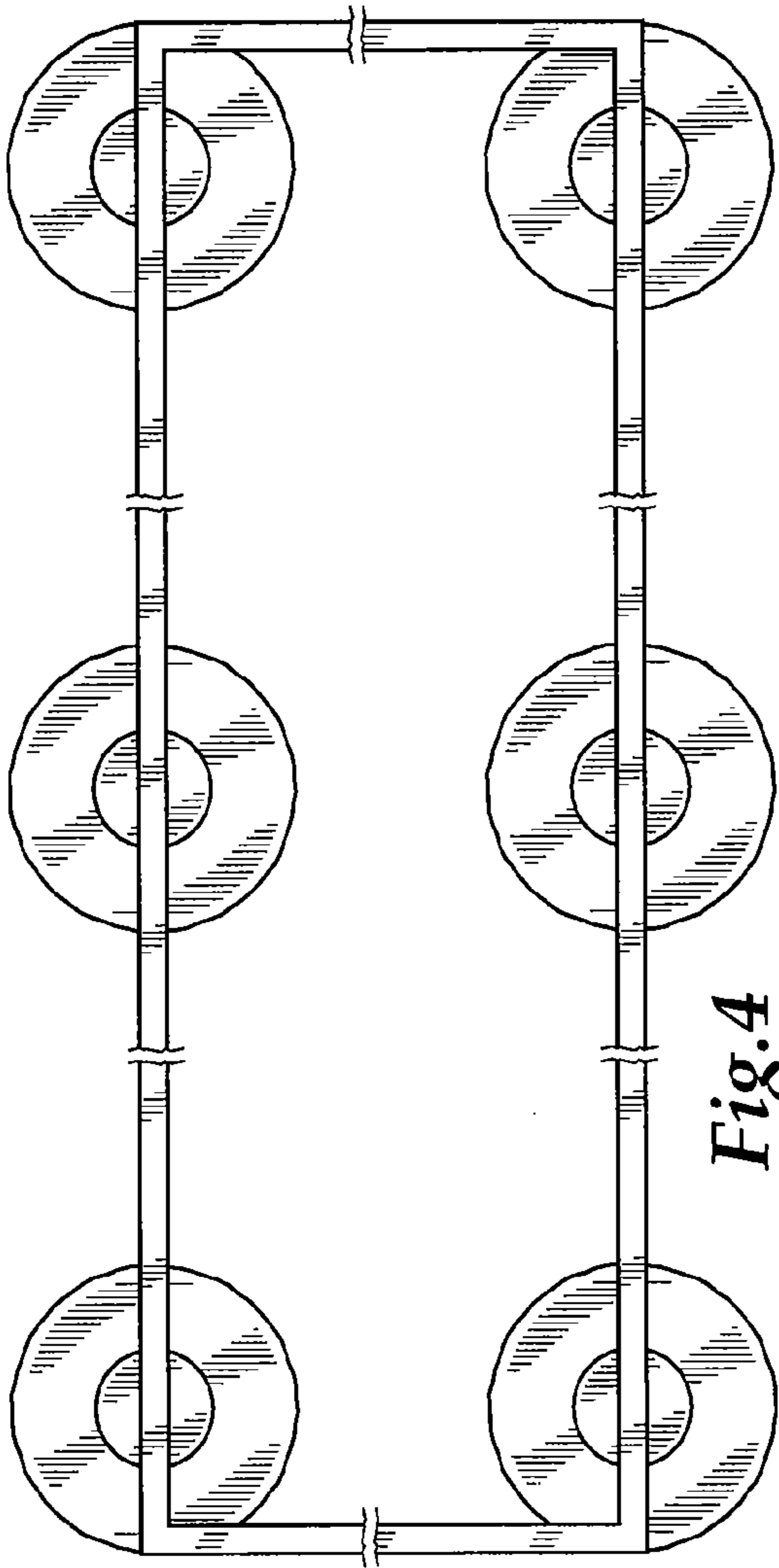


Fig. 4

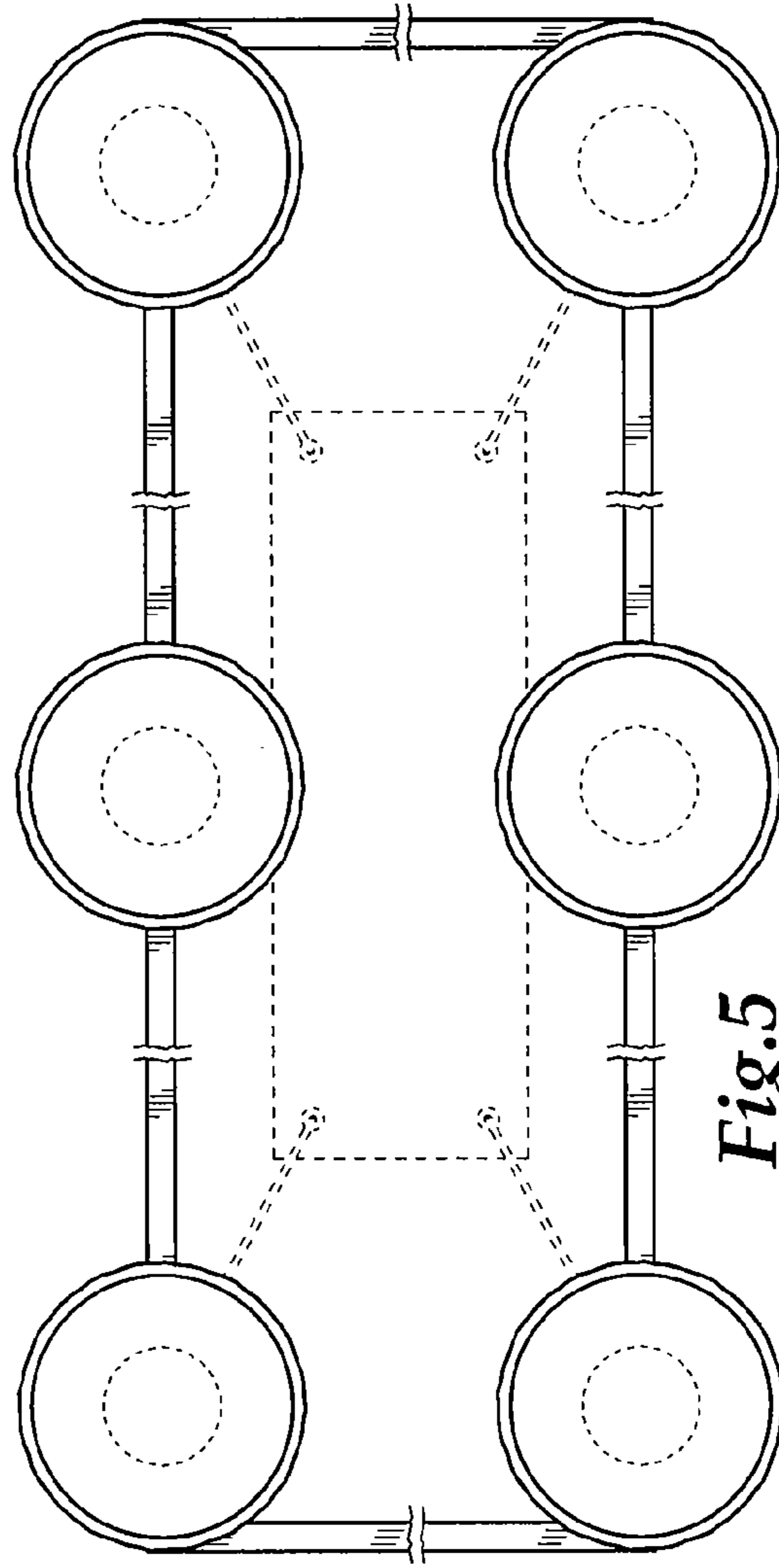


Fig. 5

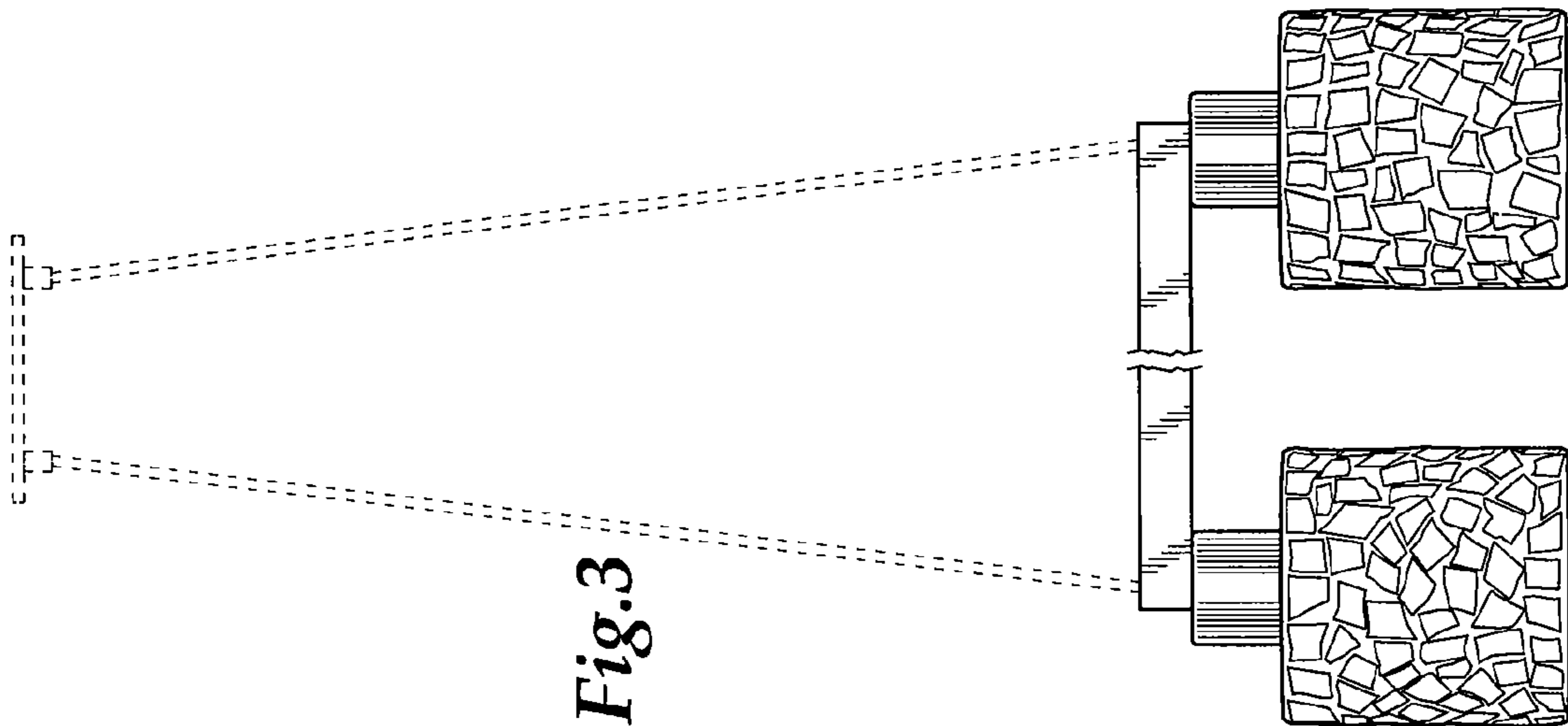


Fig. 3