



US00D608933S

(12) **United States Design Patent**
Castelli

(10) **Patent No.:** **US D608,933 S**
(45) **Date of Patent:** **** Jan. 26, 2010**

(54) **LIGHT FIXTURE**

(76) Inventor: **Michael Castelli**, 95 Drake Ct., West Islip, NY (US) 11795

(**) Term: **14 Years**

(21) Appl. No.: **29/335,639**

(22) Filed: **Apr. 17, 2009**

(51) **LOC (9) Cl.** **26-03**

(52) **U.S. Cl.** **D26/76**

(58) **Field of Classification Search** D26/63,
D26/72, 74-77, 118; 362/147, 217.01, 217.02,
362/217.1, 217.12, 217.15, 217.16, 219-225,
362/132, 260-264, 267, 283, 337, 364-366,
362/368, 376; 454/293, 354

See application file for complete search history.

D351,481 S	10/1994	Cole	
5,564,815 A	10/1996	Littman et al.	
5,615,943 A	4/1997	Coldren	
D379,546 S	5/1997	Littman	
D399,586 S	10/1998	Ranieri et al.	
5,902,035 A	5/1999	Mui	
5,921,666 A	7/1999	Preston et al.	
D413,402 S	8/1999	Ranieri et al.	
5,988,836 A	11/1999	Swarens	
6,070,995 A	6/2000	Kanai	
6,092,913 A	7/2000	Edwards	
6,102,550 A	8/2000	Edwards	
D430,688 S *	9/2000	Plunk D26/76

(Continued)

(56) **References Cited**

U.S. PATENT DOCUMENTS

D106,873 S *	11/1937	Stewart	D26/24
D132,786 S *	6/1942	Netting	D26/78
2,291,489 A	7/1942	Naysmith		
2,323,073 A *	6/1943	Netting	362/225
2,338,521 A	1/1944	Levy		
2,516,660 A	7/1950	Versen		
2,518,724 A	8/1950	Runge		
2,948,807 A	8/1960	Maciel et al.		
2,973,177 A	2/1961	Stubbs		
2,997,321 A	8/1961	Bobrick		
3,051,430 A	8/1962	Halfaker		
D195,012 S *	4/1963	Hoyle	D23/388
3,154,001 A	10/1964	Zurawski		
3,788,206 A	1/1974	Mulvey		
4,086,480 A	4/1978	Lahm		
4,419,717 A	12/1983	Price et al.		
4,424,554 A	1/1984	Woloski et al.		
4,549,253 A	10/1985	Totten		
4,622,624 A *	11/1986	McCarthy et al.	362/217.02
D292,322 S *	10/1987	Krol	D26/75
4,855,883 A	8/1989	Spitz		
D307,059 S	4/1990	Szymanek		
D330,268 S	10/1992	Jaksich		
5,171,085 A	12/1992	Jaksich		

Primary Examiner—Philip S Hyder
Assistant Examiner—Susan E Krakower

(57) **CLAIM**

The ornamental design for a light fixture, as shown and described.

DESCRIPTION

FIG. 1 is a bottom perspective view of a light fixture, showing my new design.

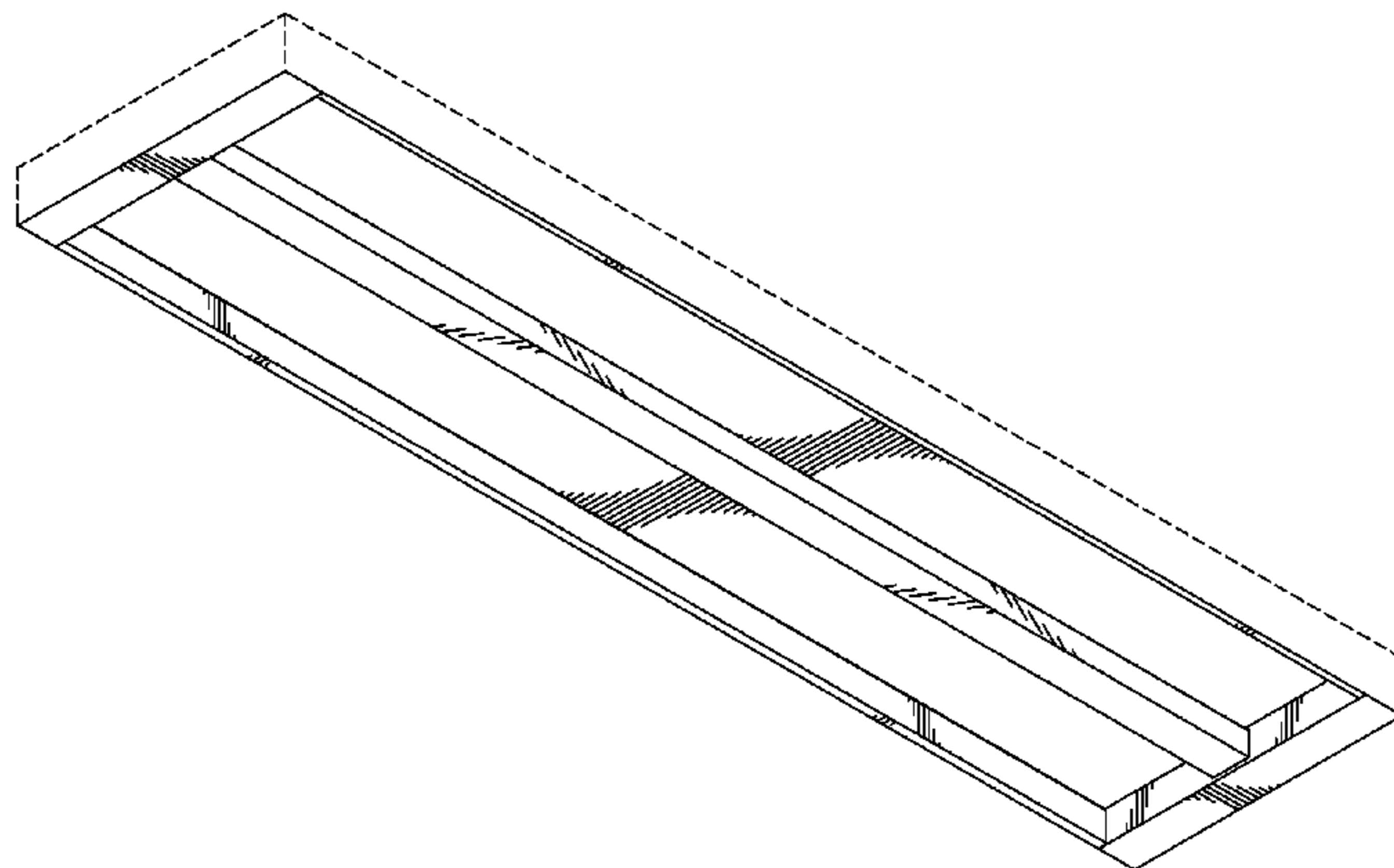
FIG. 2 is a front elevation view of the light fixture of FIG. 1, the rear elevation view being a mirror image of the front view.

FIG. 3 is a right side elevation view of the light fixture of FIG. 1, the left side elevation view being a mirror image of the right side view; and,

FIG. 4 is a bottom plan view of the light fixture of FIG. 1.

The broken lines illustrate portions of the light fixture which form no part of the claimed design.

1 Claim, 2 Drawing Sheets



US D608,933 S

Page 2

U.S. PATENT DOCUMENTS			
6,367,955	B1	4/2002	Rhee
6,435,701	B1	8/2002	Chen
6,601,976	B1	8/2003	Rhee
6,752,513	B2	6/2004	Plunk
D496,121	S	9/2004	Santoro
6,854,860	B2	2/2005	Plunk
7,195,372	B2	3/2007	Plunk
D544,993	S *	6/2007	Mayfield et al. D26/118
D545,483	S *	6/2007	Mayfield et al. D26/118
7,229,192	B2	6/2007	Mayfield et al.
7,234,832	B2	6/2007	Lippis et al.
D545,991	S *	7/2007	Mayfield et al. D26/118
7,261,435	B2	8/2007	Gould et al.
D556,358	S	11/2007	Santoro
7,314,295	B2	1/2008	Legat et al.
D593,246	S *	5/2009	Fowler et al. D26/76
D597,241	S *	7/2009	Fabbri et al. D26/74
2007/0139918	A1 *	6/2007	Laukhuf 362/217
2007/0211457	A1	9/2007	Mayfield et al.

* cited by examiner

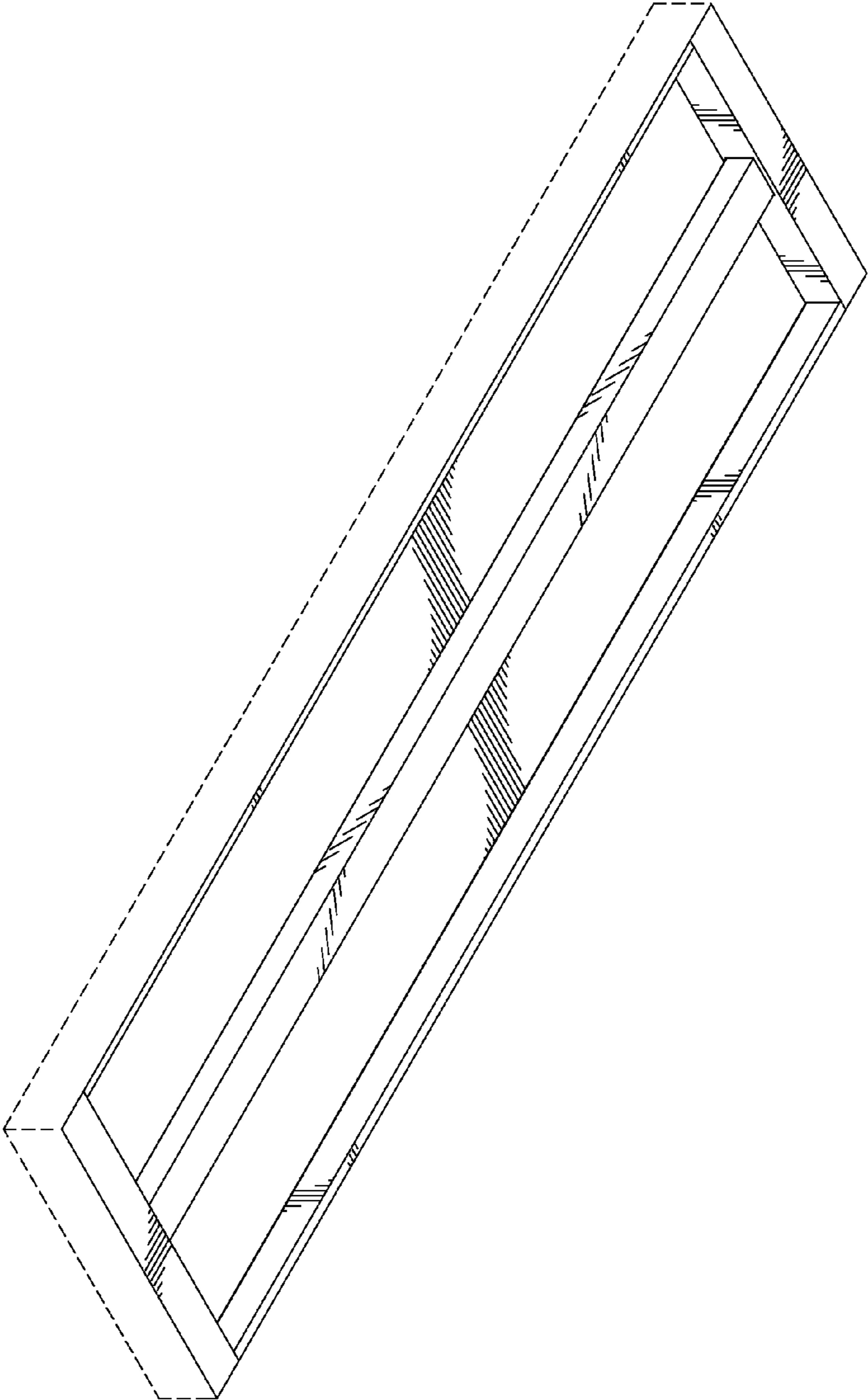


FIG. 1

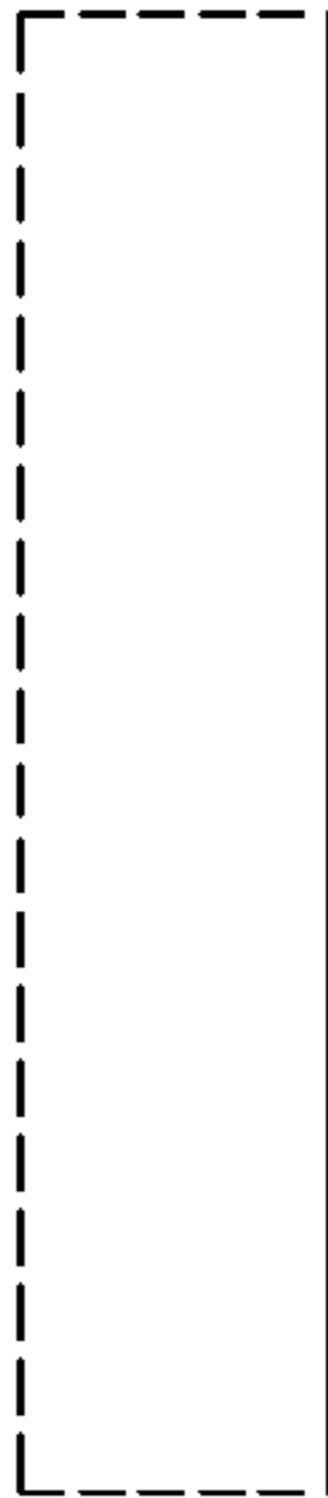


FIG. 2



FIG. 3

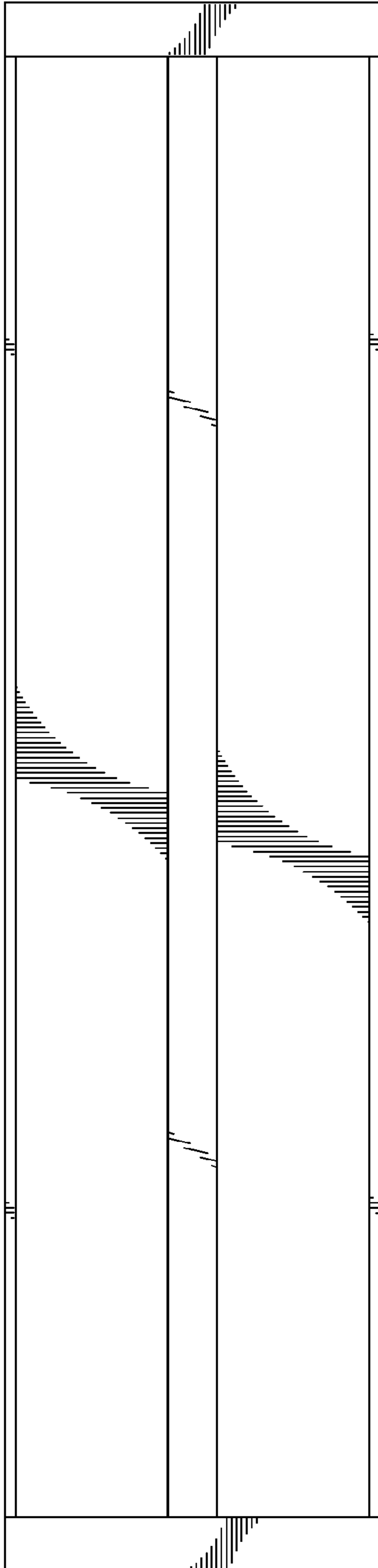


FIG. 4